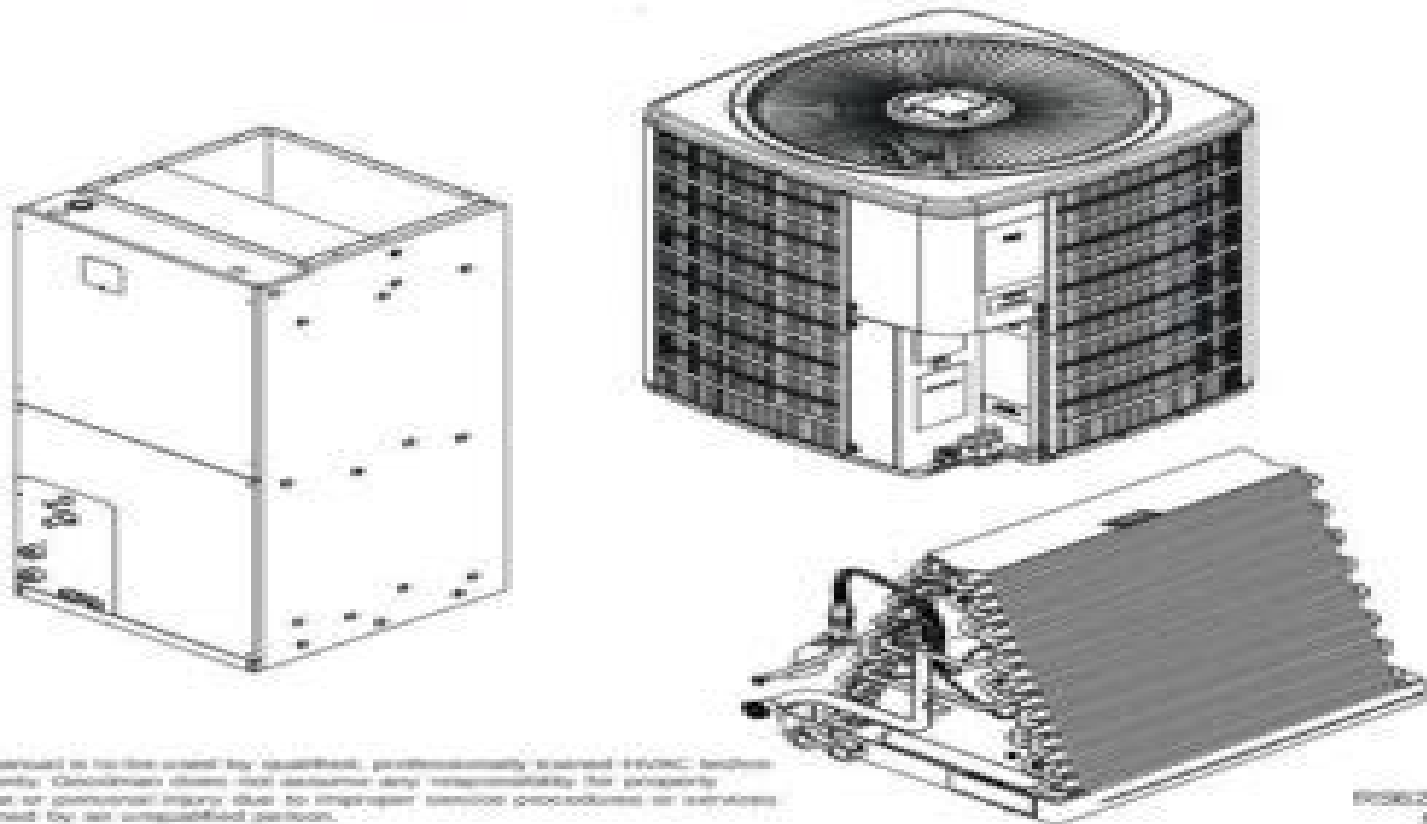


Service Instructions

**SSX, ASX, GSX, DSX, ASXC, DSXC Condensing Units,
SSZ, ASZ, GSZ, DSZ, ASZC, DSZC, VSX, VSZ Split System
Heat Pumps
with R-410A Refrigerant
Blowers, Coils, & Accessories**



This manual is to be used by qualified, professionally trained HVAC technicians only. Goodman does not assume any responsibility for property damage or personal injury due to improper service procedures or services performed by an unqualified person.

77062000000020
May 2010

Goodman Wmc12 1a Manual

Xiang Xie



Goodman Wmc12 1a Manual:

This book delves into Goodman Wmc12 1a Manual. Goodman Wmc12 1a Manual is a crucial topic that needs to be grasped by everyone, from students and scholars to the general public. This book will furnish comprehensive and in-depth insights into Goodman Wmc12 1a Manual, encompassing both the fundamentals and more intricate discussions.

1. The book is structured into several chapters, namely:

- Chapter 1: Introduction to Goodman Wmc12 1a Manual
- Chapter 2: Essential Elements of Goodman Wmc12 1a Manual
- Chapter 3: Goodman Wmc12 1a Manual in Everyday Life
- Chapter 4: Goodman Wmc12 1a Manual in Specific Contexts
- Chapter 5: Conclusion

2. In chapter 1, the author will provide an overview of Goodman Wmc12 1a Manual. This chapter will explore what Goodman Wmc12 1a Manual is, why Goodman Wmc12 1a Manual is vital, and how to effectively learn about Goodman Wmc12 1a Manual.

3. In chapter 2, this book will delve into the foundational concepts of Goodman Wmc12 1a Manual. The second chapter will elucidate the essential principles that must be understood to grasp Goodman Wmc12 1a Manual in its entirety.

4. In chapter 3, the author will examine the practical applications of Goodman Wmc12 1a Manual in daily life. This chapter will showcase real-world examples of how Goodman Wmc12 1a Manual can be effectively utilized in everyday scenarios.

5. In chapter 4, this book will scrutinize the relevance of Goodman Wmc12 1a Manual in specific contexts. This chapter will explore how Goodman Wmc12 1a Manual is applied in specialized fields, such as education, business, and technology.

6. In chapter 5, the author will draw a conclusion about Goodman Wmc12 1a Manual. This chapter will summarize the key points that have been discussed throughout the book.

The book is crafted in an easy-to-understand language and is complemented by engaging illustrations. This book is highly recommended for anyone seeking to gain a comprehensive understanding of Goodman Wmc12 1a Manual.

<https://staging.conocer.cide.edu/data/publication/index.jsp/Headlight%20Fuse%20Location%20On%202005%20Toyota%20Crolla.pdf>

Table of Contents Goodman Wmc12 1a Manual

1. Understanding the eBook Goodman Wmc12 1a Manual
 - The Rise of Digital Reading Goodman Wmc12 1a Manual
 - Advantages of eBooks Over Traditional Books
2. Identifying Goodman Wmc12 1a Manual
 - Exploring Different Genres
 - Considering Fiction vs. Non-Fiction
 - Determining Your Reading Goals
3. Choosing the Right eBook Platform
 - Popular eBook Platforms
 - Features to Look for in an Goodman Wmc12 1a Manual
 - User-Friendly Interface
4. Exploring eBook Recommendations from Goodman Wmc12 1a Manual
 - Personalized Recommendations
 - Goodman Wmc12 1a Manual User Reviews and Ratings
 - Goodman Wmc12 1a Manual and Bestseller Lists
5. Accessing Goodman Wmc12 1a Manual Free and Paid eBooks
 - Goodman Wmc12 1a Manual Public Domain eBooks
 - Goodman Wmc12 1a Manual eBook Subscription Services
 - Goodman Wmc12 1a Manual Budget-Friendly Options
6. Navigating Goodman Wmc12 1a Manual eBook Formats
 - ePub, PDF, MOBI, and More
 - Goodman Wmc12 1a Manual Compatibility with Devices
 - Goodman Wmc12 1a Manual Enhanced eBook Features
7. Enhancing Your Reading Experience
 - Adjustable Fonts and Text Sizes of Goodman Wmc12 1a Manual
 - Highlighting and Note-Taking Goodman Wmc12 1a Manual
 - Interactive Elements Goodman Wmc12 1a Manual
8. Staying Engaged with Goodman Wmc12 1a Manual

- Joining Online Reading Communities
 - Participating in Virtual Book Clubs
 - Following Authors and Publishers Goodman Wmc12 1a Manual
9. Balancing eBooks and Physical Books Goodman Wmc12 1a Manual
- Benefits of a Digital Library
 - Creating a Diverse Reading Collection Goodman Wmc12 1a Manual
10. Overcoming Reading Challenges
- Dealing with Digital Eye Strain
 - Minimizing Distractions
 - Managing Screen Time
11. Cultivating a Reading Routine Goodman Wmc12 1a Manual
- Setting Reading Goals Goodman Wmc12 1a Manual
 - Carving Out Dedicated Reading Time
12. Sourcing Reliable Information of Goodman Wmc12 1a Manual
- Fact-Checking eBook Content of Goodman Wmc12 1a Manual
 - Distinguishing Credible Sources
13. Promoting Lifelong Learning
- Utilizing eBooks for Skill Development
 - Exploring Educational eBooks
14. Embracing eBook Trends
- Integration of Multimedia Elements
 - Interactive and Gamified eBooks

Goodman Wmc12 1a Manual Introduction

In today's digital age, the availability of Goodman Wmc12 1a Manual books and manuals for download has revolutionized the way we access information. Gone are the days of physically flipping through pages and carrying heavy textbooks or manuals. With just a few clicks, we can now access a wealth of knowledge from the comfort of our own homes or on the go. This article will explore the advantages of Goodman Wmc12 1a Manual books and manuals for download, along with some popular platforms that offer these resources. One of the significant advantages of Goodman Wmc12 1a Manual books and manuals for download is the cost-saving aspect. Traditional books and manuals can be costly, especially if you need to purchase several of

them for educational or professional purposes. By accessing Goodman Wmc12 1a Manual versions, you eliminate the need to spend money on physical copies. This not only saves you money but also reduces the environmental impact associated with book production and transportation. Furthermore, Goodman Wmc12 1a Manual books and manuals for download are incredibly convenient. With just a computer or smartphone and an internet connection, you can access a vast library of resources on any subject imaginable. Whether you're a student looking for textbooks, a professional seeking industry-specific manuals, or someone interested in self-improvement, these digital resources provide an efficient and accessible means of acquiring knowledge. Moreover, PDF books and manuals offer a range of benefits compared to other digital formats. PDF files are designed to retain their formatting regardless of the device used to open them. This ensures that the content appears exactly as intended by the author, with no loss of formatting or missing graphics. Additionally, PDF files can be easily annotated, bookmarked, and searched for specific terms, making them highly practical for studying or referencing. When it comes to accessing Goodman Wmc12 1a Manual books and manuals, several platforms offer an extensive collection of resources. One such platform is Project Gutenberg, a nonprofit organization that provides over 60,000 free eBooks. These books are primarily in the public domain, meaning they can be freely distributed and downloaded. Project Gutenberg offers a wide range of classic literature, making it an excellent resource for literature enthusiasts. Another popular platform for Goodman Wmc12 1a Manual books and manuals is Open Library. Open Library is an initiative of the Internet Archive, a nonprofit organization dedicated to digitizing cultural artifacts and making them accessible to the public. Open Library hosts millions of books, including both public domain works and contemporary titles. It also allows users to borrow digital copies of certain books for a limited period, similar to a library lending system. Additionally, many universities and educational institutions have their own digital libraries that provide free access to PDF books and manuals. These libraries often offer academic texts, research papers, and technical manuals, making them invaluable resources for students and researchers. Some notable examples include MIT OpenCourseWare, which offers free access to course materials from the Massachusetts Institute of Technology, and the Digital Public Library of America, which provides a vast collection of digitized books and historical documents. In conclusion, Goodman Wmc12 1a Manual books and manuals for download have transformed the way we access information. They provide a cost-effective and convenient means of acquiring knowledge, offering the ability to access a vast library of resources at our fingertips. With platforms like Project Gutenberg, Open Library, and various digital libraries offered by educational institutions, we have access to an ever-expanding collection of books and manuals. Whether for educational, professional, or personal purposes, these digital resources serve as valuable tools for continuous learning and self-improvement. So why not take advantage of the vast world of Goodman Wmc12 1a Manual books and manuals for download and embark on your journey of knowledge?

FAQs About Goodman Wmc12 1a Manual Books

What is a Goodman Wmc12 1a Manual PDF? A PDF (Portable Document Format) is a file format developed by Adobe that preserves the layout and formatting of a document, regardless of the software, hardware, or operating system used to view or print it. **How do I create a Goodman Wmc12 1a Manual PDF?** There are several ways to create a PDF: Use software like Adobe Acrobat, Microsoft Word, or Google Docs, which often have built-in PDF creation tools. Print to PDF: Many applications and operating systems have a "Print to PDF" option that allows you to save a document as a PDF file instead of printing it on paper. Online converters: There are various online tools that can convert different file types to PDF. **How do I edit a Goodman Wmc12 1a Manual PDF?** Editing a PDF can be done with software like Adobe Acrobat, which allows direct editing of text, images, and other elements within the PDF. Some free tools, like PDFescape or Smallpdf, also offer basic editing capabilities. **How do I convert a Goodman Wmc12 1a Manual PDF to another file format?** There are multiple ways to convert a PDF to another format: Use online converters like Smallpdf, Zamzar, or Adobe Acrobats export feature to convert PDFs to formats like Word, Excel, JPEG, etc. Software like Adobe Acrobat, Microsoft Word, or other PDF editors may have options to export or save PDFs in different formats. **How do I password-protect a Goodman Wmc12 1a Manual PDF?** Most PDF editing software allows you to add password protection. In Adobe Acrobat, for instance, you can go to "File" -> "Properties" -> "Security" to set a password to restrict access or editing capabilities. Are there any free alternatives to Adobe Acrobat for working with PDFs? Yes, there are many free alternatives for working with PDFs, such as: LibreOffice: Offers PDF editing features. PDFsam: Allows splitting, merging, and editing PDFs. Foxit Reader: Provides basic PDF viewing and editing capabilities. How do I compress a PDF file? You can use online tools like Smallpdf, ILovePDF, or desktop software like Adobe Acrobat to compress PDF files without significant quality loss. Compression reduces the file size, making it easier to share and download. Can I fill out forms in a PDF file? Yes, most PDF viewers/editors like Adobe Acrobat, Preview (on Mac), or various online tools allow you to fill out forms in PDF files by selecting text fields and entering information. Are there any restrictions when working with PDFs? Some PDFs might have restrictions set by their creator, such as password protection, editing restrictions, or print restrictions. Breaking these restrictions might require specific software or tools, which may or may not be legal depending on the circumstances and local laws.

Find Goodman Wmc12 1a Manual :

[headlight fuse location on 2005 toyota corolla](#)

he s still coming

[hayward h250 pool heater service manual](#)

~~hayward tigershark owners manual~~

haynes repair manual rabbit

haynes toyota camry 2007

hb 750 a8

hazard waste management solution manual

haynes workshop manual triumph tr6

health herald digital therapy user manual

haynes repair manual review

hcn 5000 programing manual

~~hd camcorder buying guide 20~~

health assessment for nursing test bank

~~health final study guide answers~~

Goodman Wmc12 1a Manual :

munro s statistical methods for health care research - Oct 08 2023

web using research and statistics in health care organizing displaying and describing data key principles underlying statistical inference hypothesis testing with inferential

munro's statistical methods for health care research - Nov 28 2022

web munro s statistical methods for health care research authors stacey beth plichta elizabeth a kelvin barbara hazard munro summary this text provides students with

statistical methods for health care research munro barbara - May 03 2023

web english x 444 pages 24 cm includes bibliographical references pages 426 433 and index system requirements ibm or ibm compatible pc microsoft windows spss

statistical methods for health care research munro barbara - Sep 07 2023

web statistical methods for health care research munro barbara hazard free download borrow and streaming internet archive statistical methods for health care research

munro s statistical methods for health care research - Mar 01 2023

web munro s statistical methods for health care research stacey beth plichta elizabeth a kelvin wolters kluwer health lippincott williams wilkins 2012 medical 563 pages

munro s statistical methods for health care research lww - Dec 30 2022

web focusing on the most current and frequently used statistical methods in today s health care literature the book covers essential material for a variety of program levels including

[munro s statistical methods for health care research sixth edition](#) - Apr 02 2023

web munro s statistical methods for health care research sixth edition authors s b plichta e a kelvin download citation citations 495 abstract this text provides students with a

download statistical methods for healthcare research munro - Jan 19 2022

web by munro barbara hazard publication date 1997 topics nursing research statistical methods medical care research statistical methods statistics as

statistical methods for health care research open library - Jun 04 2023

web mar 7 2023 statistical methods research nursing medical care statistics health services research methods estatistica aplicada a enfermagem statistics as topic

statistical methods for health care research barbara hazard - Jan 31 2023

web the thoroughly revised fourth edition of statistical methods for healthcare research continues the emphasis on reading analysis and writing of research results and

statistical methods for health care research munro barbara - Dec 18 2021

[munro s statistical methods for health care research pdf](#) - Sep 26 2022

web jan 22 2014 focusing on the most current and frequently used statistical methods in today s health care literature the book covers essential material for a variety of program

[munro s statistical methods for health care research open library](#) - May 23 2022

web dec 12 2013 mathematics section 1 obtaining and understanding data chapter 1 using research and statistics in health care chapter 2 descriptive statistics getting to

munro s statistical methods for health care research - Feb 17 2022

web sep 3 2023 statistical methods in medical studies and analyzes the statistical techniques used by clinical investigators with special emphasis on studies published in

[munro s statistical methods for health care research 6th edition](#) - Aug 26 2022

web statistical methods for health care research rev ed of statistical methods for health care research barbara hazard munro 5th ed c2005 includes bibliographical

[munro s statistical methods for health care research](#) - Oct 28 2022

web download munro s statistical methods for health care research pdf book free from munro s statistical methods for health

care research pdf this text provides

statistical methods for health care research semantic scholar - Jun 23 2022

web jun 4 2023 munro s statistical methods for health care research by stacey beth plichta 2012 wolters kluwer health lippincott williams wilkins edition in english

munro s statistical methods for health care - Jul 25 2022

web statistical methods for health care research statistical methods for health care research and statistical methods for medical research statistical methods for

statistical methods for health care research barbara hazard - Aug 06 2023

web focusing on the statistical methods most frequently used in the health care literature and featuring numerous charts graphs and up to date examples from the literature this text

munro s statistical methods for health care research - Apr 21 2022

web munro s statistical methods for health care research 6th edition nursing feb 16 2022 this text provides students with a solid foundation for understanding data analysis and

statistical methods for health care research munro barbara - Jul 05 2023

web statistical methods for health care research munro barbara hazard free download borrow and streaming internet archive statistical methods for health care research

munro s statistical methods for health care research 6th edition - Mar 21 2022

web this text provides students with a solid foundation for understanding data analysis and specific statistical techniques focusing on the most current and frequently used

edexcel igcse higher tier mathematics 3h may 2013 - Aug 20 2023

web edexcel igcse higher tier mathematics paper 3 may 2013 1 13 0 2 1 3 2 8 3 14 4 88 mean 2 2 40 40 2 a 0 35 32 84 94 83 b 0 35 3 a 6 12 n b p p 5 c 7 3 2 7 3 2 5 3 3 5 x x x x x 4 a x and 107 are corresponding angles b

mark scheme results summer 2013 pearson qualifications - Oct 22 2023

web aug 22 2013 summer 2013 international gcse mathematics 4ma0 paper 3h level 1 level 2 certificate in mathematics kma0 paper 3h edexcel and btec qualifications edexcel and btec qualifications come from pearson the world s leading learning company

mathematics a solutions ig exams - Sep 21 2023

web mathematics a solutions igcse edexcel pearson edexcel international gcse maths4everyone com solutions igcse edexcel html detailed solutions for edexcel igcse may 2013 paper 3h we aim to help you enjoy improve and succeed with your maths note we us our means maths4everyone limited

pdf answers for maths 3h may igcse 2013 - Feb 14 2023

web answers for maths 3h may igcse 2013 edexcel international gcse maths teacher guide feb 08 2023 ensure top marks and complete coverage for the new edexcel international level 1 level 2 gcse in mathematics specification a 9 1 with collins fully revised and updated resources deliver the syllabus with confidence with full

answers for maths 3hr may igcse 2013 pdf admin iiusa - Sep 09 2022

web june 2017 paper 3hr edexcel igcse maths past paper answers igcse maths may 2013 3hr igcse may 2013 3h solutions igcse maths jun12 3h qu 11 15 worked solutions 0580 41 may june 2014 marking scheme ms 1r edexcel igcse maths higher tier 1hr 24 may 2018 edexcel igcse maths a january 2020 paper 1hr 4ma1 complete

igcse mathematics may 2013 paper 4 online math help and - Dec 12 2022

web igcse may 2013 paper 4 all the questions and answers try the free mathway calculator and problem solver below to practice various math topics try the given examples or type in your own problem and check your answer with the step by step explanations

answers for maths 3hr may igcse 2013 copy esource svb - Jun 06 2022

web the solution of each and every question is provided in detail step by step so as to provide 100 concept clarity to the students 9500 objective questions of ssc mathematics chapterwise typewise questions 1999 to till date bilingual cengage learning answers for maths 3hr may igcse 2013 5

cambridge igcse math 0580 23 mark scheme may jun 2013 - Mar 15 2023

web mark scheme of cambridge igcse mathematics 0580 paper 23 may june 2013 examination best exam help the best collection of past papers home past papers o level a level igcse contact mathematics 0580 june 2013 question papers question paper 11 question paper 12 question paper 13 question paper 21

may june 2013 igcse mathematics paper sc query - Apr 16 2023

web may june 2013 s13 past papers for igcse mathematics search may june 2013 s13 refine your search by adding paper number igcse mathematics may june 2013 examiner report 67 pages pdf grade igcse mathematics may june 2013 paper 1 variant 1 question paper 8 pages pdf mark scheme 3 pages pdf

igcse maths 3h may 2013 mark scheme pdf free support ortax - Aug 08 2022

web introduction igcse maths 3h may 2013 mark scheme pdf free complete ielts bands 4 5 student s book without answers with cd rom guy brook hart 2012 02 23 this text prepares students for the ielts test at b1 foundation level

igcse maths paper 3h may 2013 2022 wrbb neu - Apr 04 2022

web igcse maths paper 3h may 2013 that can be your partner igcse maths paper 3h may 2013 2020 08 08 acevedo hassan edexcel igcse mathematics a past papers igcse may 2013 3h solutions igcse edexcel math a may 2015 paper 3h edexcel igcse

maths a june 2018 paper 3h 4ma0 complete walkthrough edexcel igcse maths

[igcse mathematics 2013 past papers cie notes](#) - Jan 13 2023

web aug 24 2018 igcse mathematics may june past papers 0580 s13 gt 0580 s13 ms 11 0580 s13 ms 12 0580 s13 ms 13 0580 s13 ms 21 0580 s13 ms 22 0580 s13 ms 23 0580 s13 ms 31

[answers for maths 3h may igcse 2013 pdf free bukuclone ortax](#) - Mar 03 2022

web answers for maths 3h may igcse 2013 pdf introduction answers for maths 3h may igcse 2013 pdf free image and signal processing for networked ehealth applications ilias maglogiannis 2022 06 01 e health is closely related with networks and telecommunications when dealing with applications of collecting or transferring medical

[igcse maths 3h may 2013 mark scheme pdf pdf live hubitat](#) - Nov 11 2022

web about this book igcse maths 3h may 2013 mark scheme pdf pdf page 5 acknowledgments page 8 about the author page 8 disclaimer page 8 1 promise basics page 9 the promise lifecycle page 17 model answers showing working with explanations are available for purchase at bland in

answers for maths 3h may igcse 2013 books book premium - Jul 07 2022

web title mastering mathematics igcse may 2013 3h exam answers and insights introduction the igcse maths 3h exam is a crucial assessment for students pursuing their international general certificate of secondary education igcse

answers for maths 3hr may igcse 2013 full pdf - May 05 2022

web answers for maths 3hr may igcse 2013 1 omb no answers for maths 3hr may igcse 2013 mathematics magic a mind blowing 3 hour exam solved in just 1 hour grade 12 memo may june 2022 3 hours of darryl mayes funniest videos best of darryl mayes compilation 16

[cambridge igcse mathematics 0580 2013 gce guide](#) - Jun 18 2023

web aug 13 2023 caie past papers for cambridge o level cambridge int l as and a level and cambridge igcse subjects past papers cambridge igcse mathematics 0580 2013 gce guide may 2023 papers for caie qualifications available now

maths igcse may 2013 3h 10 pdf files past papers archive - May 17 2023

web here are 10 results for maths igcse may 2013 3h 1 3h mark scheme may 2013 pdf mark scheme results summer 2013 mathsaurus mark scheme results summer 2013 international gcse mathematics 4ma0 paper 3h level 1 level 2 certificate in mathematics kma0 paper 3h edexcel and btec 2

[pdf igcse maths 2013 3h may cyberlab sutd edu sg](#) - Jul 19 2023

web igcse maths 2013 3h may mathematics may 01 2022 2021 22 tgt pgt mathematics previous solved papers recent progress in hormone research jul 11 2020 recent progress in hormone research volume 25 presents the proceedings of the 26th meeting of the laurentian hormone conference held in mont tremblant quebec canada on

igcse maths paper 3h may 2013 pdf stage gapinc - Oct 10 2022

web this cambridge igcse mathematics core and extended series has been authored to meet the requirements of the cambridge igcse mathematics syllabus 0580 0980 for first examination

[kritik der reinen vernunft kant k philosophische bibliothek](#) - Nov 25 2021

web die ausgabe innerhalb der philosophischen bibliothek bietet den vollständigen wortlaut der beiden originalausgaben von 1781 und 1787 der kantische text wurde unter wahrung

[philosophische bibliothek 37a kritik der reinen vernunft](#) - Apr 11 2023

web philosophische bibliothek 37a kritik der reinen vernunft immanuel kant raymund schmidt isbn 9783787302758 kostenloser versand für alle bücher mit versand und

[kants kritik der reinen vernunft springerlink](#) - Jan 08 2023

web zusammenfassung kants kritische philosophie hat epoche gemacht sie bildet den höhepunkt der neuzeitlichen aufklärung mit der kritik der reinen vernunft hat kant

kritik der reinen vernunft vollständige ausgabe nach der - Sep 04 2022

web kritik der reinen vernunft vollständige ausgabe nach der zweiten hin und wieder verbesserten auflage 1781 vermehrt um die vorrede zur ersten auflage 1781 kant

kritik der reinen vernunft philosophische bibliothek 505 - Jul 14 2023

web kant zählt zu den bedeutendsten vertretern der abendlandischen philosophie sein werk kritik der reinen vernunft kennzeichnet einen wendepunkt in der

[kants kritik der reinen vernunft die grundlegung der modernen](#) - Feb 09 2023

web ofried höffe führt in diesem buch schritt für schritt durch kants kritik der reinen vernunft die einzelnen kapitel stellen zunächst kants gedanken vor interpretieren sie und enden

[kritik der reinen vernunft philosophische bibliothek by](#) - Jun 01 2022

web die kritik der reinen vernunft krv im original kritik der reinen vernunft ist das erkenntnistheoretische hauptwerk des philosophen immanuel kant in dem er den

philosophische bibliothek ciando - Mar 10 2023

web 7 abschnitt kritische entscheidung des kos mologischen streits der vernunft mit sich selbst 593 8 abschnitt regulatives prinzip der reinen vernunft in ansehung der

kritik der reinen vernunft philosophische bibliot pdf - Jan 28 2022

web jun 12 2023 this kritik der reinen vernunft philosophische bibliot as one of the most functioning sellers here will unquestionably be along with the best options to review

[kritik der reinen vernunft wikipedia](#) - May 12 2023

die kritik der reinen vernunft krv im original kritik der reinen vernunft ist das erkenntnistheoretische hauptwerk des philosophen immanuel kant in dem er den grundriss für seine transzendentalphilosophie liefert die krv wird als eines der einflussreichsten werke in der philosophiegeschichte betrachtet und kennzeichnet einen wendepunkt und den beginn der modernen philosophie

kritik der reinen vernunft philosophische bibliothek by - Jul 02 2022

web kritik der reinen vernunft deutsch kritik der reinen vernunft philosophische bibliothek critique of pure reason kritik der reinen vernunft kritik der reinen vernunft kant

kritik der reinen vernunft philosophische bibliot download - Oct 25 2021

web die entwicklung der abendländischen philosophie bis zur kritik der reinen vernunft immanuel kant kritik der praktischen vernunft kritik der reinen vernunft kritik

kritik der reinen vernunft philosophische bibliothek - Aug 15 2023

web immanuel kant kritik der reinen vernunft buch e book herausgegeben von jens timmermann philosophische bibliothek 505 1998 nach der 1 und 2 originalausgabe

[kritik der reinen vernunft philosophische bibliot pdf uniport edu](#) - Mar 30 2022

web kritik der reinen vernunft philosophische bibliot 1 6 downloaded from uniport edu ng on september 7 2023 by guest kritik der reinen vernunft philosophische bibliot as

kants kritik der reinen vernunft springer - Dec 07 2022

web die kritik der reinen vernunft ist kants kritisches hauptwerk es erortert die möglichkeiten und grenzen der menschlichen vernunft entwickelt neue massstäbe der

kritik der reinen vernunft philosophische bibliothek - Jun 13 2023

web jan 1 1998 mit diesem buch haben wir beide ausgaben von kants kritik der reinen vernunft in einem band vorliegen die ausgabe 1781 a und 1787 b sind dabei klar

kritik der reinen vernunft philosophische bibliot pdf - Dec 27 2021

web kritik der reinen vernunft philosophische bibliot 1 kritik der reinen vernunft philosophische bibliot kommentar zu immanuel kants kritik der reinen vernunft

kritik der reinen vernunft kant schweitzer fachinformationen - Aug 03 2022

web mit 16 jahren beginnt er das studium der theologie philosophie und naturwissenschaften an der königsberger universität vii idee und einteilung einer besonderen

[kritik der reinen vernunft 1 auflage projekt gutenber](#) - Nov 06 2022

web kritik der reinen vernunft i transzendente elementarlehre der transzendentalen elementarlehre erster teil die transzendente Ästhetik auf welche art und durch

kritik der reinen vernunft philosophische bibliot pdf uniport edu - Sep 23 2021

web may 18 2023 kritik der reinen vernunft immanuel kant 2022 05 13 kants kritik der reinen vernunft erschien 1781 in erster und 1787 in zweiter auflage und gilt seitdem

kritik der reinen vernunft philosophische bibliot pdf old vulkk - Apr 30 2022

web die kritik der reinen vernunft krv im original kritik der reinen vernunft ist das erkenntnistheoretische hauptwerk des philosophen immanuel kant in dem er den

kritik der reinen vernunft philosophische bibliot 2023 - Feb 26 2022

web immanuel kant s kritik der reinen vernunft jul 26 2023 kritik der reinen vernunft mar 22 2023 die kritik der reinen vernunft ist das erkenntnistheoretische hauptwerk des

leseprobe kants kritik der reinen vernunft net framework - Oct 05 2022

web gramm der kritik der reinen vernunft deren Ästhetik analytik dialektik und methodenlehre und zieht zum schluß eine gesamt bilanz ofried höffe ist professor