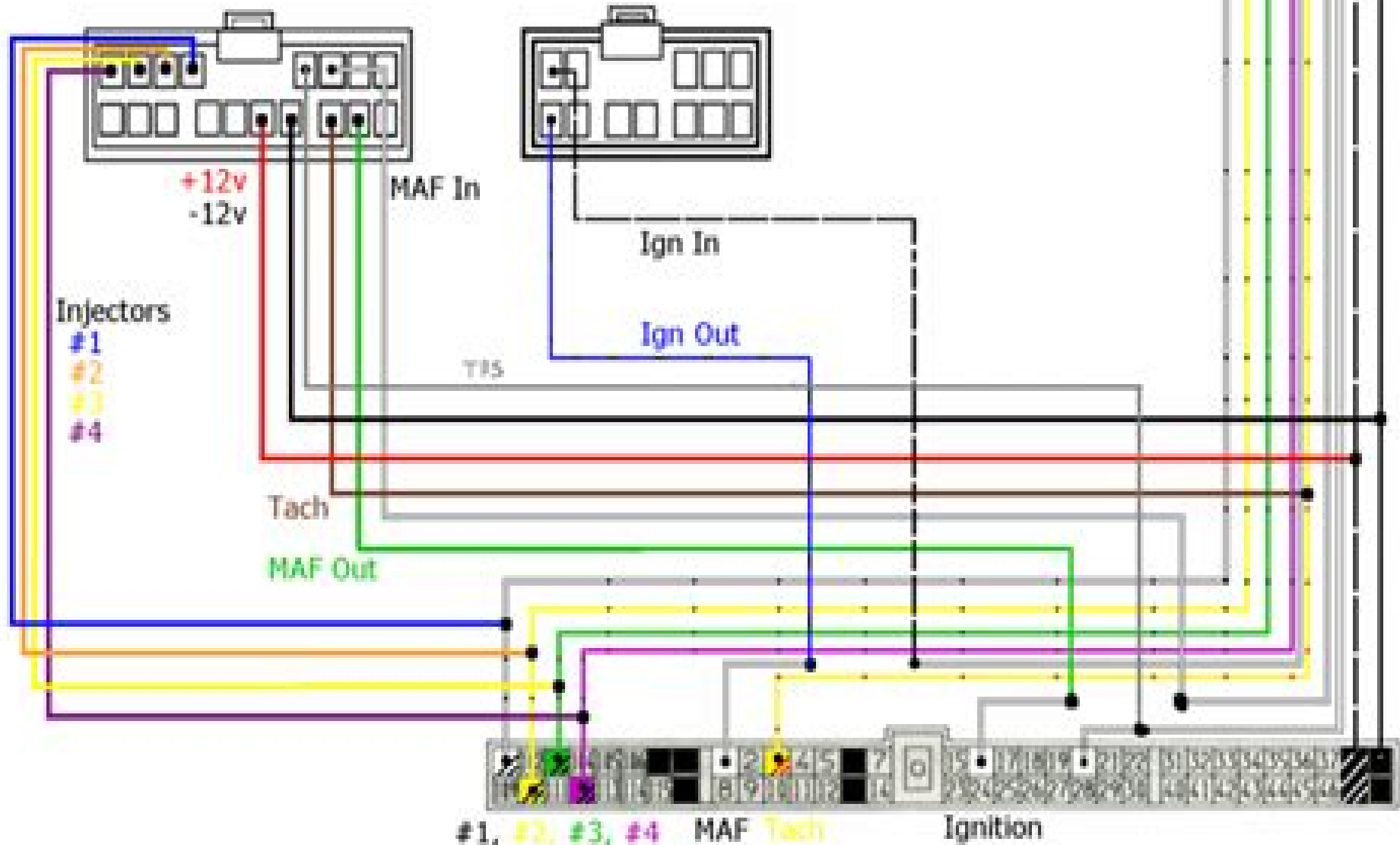


Greddy eManage

Con. 1 (Main)

Con. 2 (Ign)

Engine Bay



Nissan ECU

Greddy E Manage Wiring

Mike Jess



Greddy E Manage Wiring:

Whispering the Secrets of Language: An Emotional Journey through **Greddy E Manage Wiring**

In a digitally-driven earth where monitors reign great and quick conversation drowns out the subtleties of language, the profound secrets and mental nuances concealed within phrases usually get unheard. Yet, nestled within the pages of **Greddy E Manage Wiring** a captivating literary value pulsating with natural thoughts, lies an extraordinary journey waiting to be undertaken. Written by an experienced wordsmith, this wonderful opus invites visitors on an introspective journey, lightly unraveling the veiled truths and profound affect resonating within the cloth of every word. Within the emotional depths of this emotional review, we shall embark upon a genuine exploration of the book is key styles, dissect its fascinating publishing style, and fail to the effective resonance it evokes heavy within the recesses of readers hearts.

<https://staging.conocer.cide.edu/results/uploaded-files/fetch.php/hp%201220cxi%20printers%20owners%20manual.pdf>

Table of Contents Greddy E Manage Wiring

1. Understanding the eBook Greddy E Manage Wiring
 - The Rise of Digital Reading Greddy E Manage Wiring
 - Advantages of eBooks Over Traditional Books
2. Identifying Greddy E Manage Wiring
 - Exploring Different Genres
 - Considering Fiction vs. Non-Fiction
 - Determining Your Reading Goals
3. Choosing the Right eBook Platform
 - Popular eBook Platforms
 - Features to Look for in an Greddy E Manage Wiring
 - User-Friendly Interface
4. Exploring eBook Recommendations from Greddy E Manage Wiring
 - Personalized Recommendations
 - Greddy E Manage Wiring User Reviews and Ratings

- Greddy E Manage Wiring and Bestseller Lists
- 5. Accessing Greddy E Manage Wiring Free and Paid eBooks
 - Greddy E Manage Wiring Public Domain eBooks
 - Greddy E Manage Wiring eBook Subscription Services
 - Greddy E Manage Wiring Budget-Friendly Options
- 6. Navigating Greddy E Manage Wiring eBook Formats
 - ePub, PDF, MOBI, and More
 - Greddy E Manage Wiring Compatibility with Devices
 - Greddy E Manage Wiring Enhanced eBook Features
- 7. Enhancing Your Reading Experience
 - Adjustable Fonts and Text Sizes of Greddy E Manage Wiring
 - Highlighting and Note-Taking Greddy E Manage Wiring
 - Interactive Elements Greddy E Manage Wiring
- 8. Staying Engaged with Greddy E Manage Wiring
 - Joining Online Reading Communities
 - Participating in Virtual Book Clubs
 - Following Authors and Publishers Greddy E Manage Wiring
- 9. Balancing eBooks and Physical Books Greddy E Manage Wiring
 - Benefits of a Digital Library
 - Creating a Diverse Reading Collection Greddy E Manage Wiring
- 10. Overcoming Reading Challenges
 - Dealing with Digital Eye Strain
 - Minimizing Distractions
 - Managing Screen Time
- 11. Cultivating a Reading Routine Greddy E Manage Wiring
 - Setting Reading Goals Greddy E Manage Wiring
 - Carving Out Dedicated Reading Time
- 12. Sourcing Reliable Information of Greddy E Manage Wiring
 - Fact-Checking eBook Content of Greddy E Manage Wiring
 - Distinguishing Credible Sources

13. Promoting Lifelong Learning
 - Utilizing eBooks for Skill Development
 - Exploring Educational eBooks
14. Embracing eBook Trends
 - Integration of Multimedia Elements
 - Interactive and Gamified eBooks

Greddy E Manage Wiring Introduction

In this digital age, the convenience of accessing information at our fingertips has become a necessity. Whether its research papers, eBooks, or user manuals, PDF files have become the preferred format for sharing and reading documents. However, the cost associated with purchasing PDF files can sometimes be a barrier for many individuals and organizations. Thankfully, there are numerous websites and platforms that allow users to download free PDF files legally. In this article, we will explore some of the best platforms to download free PDFs. One of the most popular platforms to download free PDF files is Project Gutenberg. This online library offers over 60,000 free eBooks that are in the public domain. From classic literature to historical documents, Project Gutenberg provides a wide range of PDF files that can be downloaded and enjoyed on various devices. The website is user-friendly and allows users to search for specific titles or browse through different categories. Another reliable platform for downloading Greddy E Manage Wiring free PDF files is Open Library. With its vast collection of over 1 million eBooks, Open Library has something for every reader. The website offers a seamless experience by providing options to borrow or download PDF files. Users simply need to create a free account to access this treasure trove of knowledge. Open Library also allows users to contribute by uploading and sharing their own PDF files, making it a collaborative platform for book enthusiasts. For those interested in academic resources, there are websites dedicated to providing free PDFs of research papers and scientific articles. One such website is Academia.edu, which allows researchers and scholars to share their work with a global audience. Users can download PDF files of research papers, theses, and dissertations covering a wide range of subjects. Academia.edu also provides a platform for discussions and networking within the academic community. When it comes to downloading Greddy E Manage Wiring free PDF files of magazines, brochures, and catalogs, Issuu is a popular choice. This digital publishing platform hosts a vast collection of publications from around the world. Users can search for specific titles or explore various categories and genres. Issuu offers a seamless reading experience with its user-friendly interface and allows users to download PDF files for offline reading. Apart from dedicated platforms, search engines also play a crucial role in finding free PDF files. Google, for instance, has an advanced search feature that allows users to filter results by file type. By specifying the file type as "PDF," users can find websites that offer

free PDF downloads on a specific topic. While downloading Greddy E Manage Wiring free PDF files is convenient, it's important to note that copyright laws must be respected. Always ensure that the PDF files you download are legally available for free. Many authors and publishers voluntarily provide free PDF versions of their work, but it's essential to be cautious and verify the authenticity of the source before downloading Greddy E Manage Wiring. In conclusion, the internet offers numerous platforms and websites that allow users to download free PDF files legally. Whether it's classic literature, research papers, or magazines, there is something for everyone. The platforms mentioned in this article, such as Project Gutenberg, Open Library, Academia.edu, and Issuu, provide access to a vast collection of PDF files. However, users should always be cautious and verify the legality of the source before downloading Greddy E Manage Wiring any PDF files. With these platforms, the world of PDF downloads is just a click away.

FAQs About Greddy E Manage Wiring Books

1. Where can I buy Greddy E Manage Wiring books? Bookstores: Physical bookstores like Barnes & Noble, Waterstones, and independent local stores. Online Retailers: Amazon, Book Depository, and various online bookstores offer a wide range of books in physical and digital formats.
2. What are the different book formats available? Hardcover: Sturdy and durable, usually more expensive. Paperback: Cheaper, lighter, and more portable than hardcovers. E-books: Digital books available for e-readers like Kindle or software like Apple Books, Kindle, and Google Play Books.
3. How do I choose a Greddy E Manage Wiring book to read? Genres: Consider the genre you enjoy (fiction, non-fiction, mystery, sci-fi, etc.). Recommendations: Ask friends, join book clubs, or explore online reviews and recommendations. Author: If you like a particular author, you might enjoy more of their work.
4. How do I take care of Greddy E Manage Wiring books? Storage: Keep them away from direct sunlight and in a dry environment. Handling: Avoid folding pages, use bookmarks, and handle them with clean hands. Cleaning: Gently dust the covers and pages occasionally.
5. Can I borrow books without buying them? Public Libraries: Local libraries offer a wide range of books for borrowing. Book Swaps: Community book exchanges or online platforms where people exchange books.
6. How can I track my reading progress or manage my book collection? Book Tracking Apps: Goodreads, LibraryThing, and Book Catalogue are popular apps for tracking your reading progress and managing book collections. Spreadsheets: You can create your own spreadsheet to track books read, ratings, and other details.

7. What are Greddy E Manage Wiring audiobooks, and where can I find them? Audiobooks: Audio recordings of books, perfect for listening while commuting or multitasking. Platforms: Audible, LibriVox, and Google Play Books offer a wide selection of audiobooks.
8. How do I support authors or the book industry? Buy Books: Purchase books from authors or independent bookstores. Reviews: Leave reviews on platforms like Goodreads or Amazon. Promotion: Share your favorite books on social media or recommend them to friends.
9. Are there book clubs or reading communities I can join? Local Clubs: Check for local book clubs in libraries or community centers. Online Communities: Platforms like Goodreads have virtual book clubs and discussion groups.
10. Can I read Greddy E Manage Wiring books for free? Public Domain Books: Many classic books are available for free as they're in the public domain. Free E-books: Some websites offer free e-books legally, like Project Gutenberg or Open Library.

Find Greddy E Manage Wiring :

[hp 1220cxi printers owners manual](#)

[hp 1040 fax machine manual](#)

[*how to turn on kitchenaid food processor*](#)

how to write a great dinosaur report

[*how to unlock nokia security code using jaf*](#)

[how to wire a three way switch diagram](#)

[howto put clutch in a 199ford explorer](#)

[~~how to submit your site to yahoo search engine~~](#)

how to wind an omega automatic watch

[how to start a manual car without a battery](#)

[hp 141t spectrum analyzer manual](#)

[hp 13user guide](#)

[~~how to write a historic structure report david arbogast~~](#)

[how to save a on ipad 3](#)

[how to save a file into a word document](#)

Greddy E Manage Wiring :

fan belt replacement excavator youtube - Apr 12 2023

web nov 15 2019 replacing the fan belt on my doosan dx 255 lc just a quick video for anyone trying to change a fan belt on an excavator

120c and 160cl excavator john deere manual - May 13 2023

web introduction jh91824 000092d 19 08dec09 1 1 introduction readthismanualcarefullytolearnhowtooperate andserviceyourmachinecorrectly

john deere excavator fan belt diagram pdf pdf voto uncal edu - Oct 06 2022

web john deere excavator fan belt diagram pdf upload caliva r grant 1 17 downloaded from voto uncal edu br on august 23 2023 by caliva r grant john deere excavator fan belt diagram pdf john deere excavator fan belt diagram pdf reviewing john deere excavator fan belt diagram pdf unlocking the spellbinding force of linguistics

how to replace vari cool fan drive belt john deere youtube - Aug 16 2023

web dec 7 2018 explains steps required for customer to replace vari cool fan drive belt johndeere howto maintenance subscribe for more john deere videos bit ly

john deere excavator fan belt diagram csiro - Dec 08 2022

web john deere excavator fan belt diagram getting the books john deere excavator fan belt diagram now is not type of inspiring means you could not only going following book increase or library or borrowing from your contacts to entry them this is an completely simple means to specifically get guide by on line this online

john deere x360 drive belt diagram beltdiagram net - Aug 04 2022

web february 5 2023 by tamble john deere x360 drive belt diagram belt diagrams are vital tools to understand the design and the routing of belts in various mechanical systems they provide the design of belts around various components

2054 excavator logger 24bh fan belt epc john deere - Feb 10 2023

web 24bh fan belt 0400a engine 6068ht053 2054 excavator logger epc john deere online

how to replace a john deere tractor fan belt ehow - Dec 28 2021

web step 1 place your john deere in park and make sure the emergency stopper is engaged video of the day step 2 lift the engine cover and remove the spark plug wire step 3 loosen the bolt fastening the fan belt tensioner using your socket set slide the fan belt tensioner forward and allow the belt to go slack step 4

john deere v belt m169485 john deere parts catalog - Sep 05 2022

web v belt v belt find parts diagrams for your john deere equipment search our parts catalog order parts online or contact your john deere dealer

john deere fan drive maintenance youtube - Jul 15 2023

web feb 23 2021 in this video we will show you how to access your fan drive check and replace belts grease points and more we also will discuss fan drive identification

john deere fan belt diagram wiring service - Nov 07 2022

web below is the master help link provided to go through belt routing diagram timing belt drive belt serpentine belt accessory belt fan belt engine belt routing diagrams for all types of car models bmw 3 series e90 e91 e92 e93 fuse box diagram bmw belt diagram serpentine e46 alternator i e36 x5 series routing drive belts replace

john deere excavator 120 - Jan 29 2022

web operating weights with full fuel tank 175 lb 79 kg operator 0 79 cu yd 0 60 m³ 42 in 1067 mm 925 lb 420 kg bucket 9 ft 11 in 3 01 m arm 4 974 lb 2256 kg counterweight 11 ft 9 in 3 58 m undercarriage length with 6 ft 6 in 1 99 m wide gauge

quick reference guides parts services john deere us - Jun 02 2022

web quick reference guides as a john deere owner when it s time to maintain service or repair your equipment we have easy to use information sheets that keep your john deere equipment running well check out the specific info based on your equipment type models or use search by model

john deere 35c mini excavator fan belt replacement youtube - Mar 11 2023

web aug 31 2016 at the end of the video i find an access panel that would have made this job easier

john deere parts catalog - Jun 14 2023

web find parts diagrams for your john deere equipment search our parts catalog order parts online or contact your john deere dealer

john deere excavator diagnostic repair technical manual - Jan 09 2023

web illustrated factory operation and test service manual for john deere excavator 670glc diagnostic with engine 6wg1xzsa 02 this manual contains high quality images diagrams instructions to help you to operate maintenance diagnostic

john deere 160lc excavator parts catalog a repair manual - Mar 31 2022

web john deere 160lc excavator parts catalog manual is divided into different sections each section covers a specific component or system with detailed illustrations a table of contents is placed at the beginning of each section 04a engine 4045tp053re517029 0429a fan drive damper idler pulleys belt 4045tp053 4045tp053 st264962 fan

john deere 35d compact excavator parts catalog manual - May 01 2022

web jan 13 2021 35d compact excavator parts catalog 35d compact excavator sn 265000 pc10116 sep 19 english worldwide construction and forestry division worldwide edition printed in u s a revised

specifications 330c lc 370c john deere naf - Feb 27 2022

web 370c 2 8 45 front and center hydraulic 0 1 9 mph 0 3 0 km h 0 3 0 mph 0 4 9 km h 65 098 lb 29 528 kg average ground pressure 24 in 600 mm triple semi grouser shoes 8 73 psi 60 2 kpa recommended for rocky terrain and stumps 32 in 800 mm triple semi grouser shoes 6 75 psi 46 5 kpa recommended for general soft terrain

[tm10761 john deere 60d compact excavator service repair](#) - Jul 03 2022

web no reviews for this product add to compare list into favorits illustrated factory service repair technical manual for john deere compact excavator 60d this manual contains high quality images instructions to help you to troubleshoot and repair your truck

engineering fundamentals 4th edition textbook - May 12 2023

web our interactive player makes it easy to find solutions to engineering fundamentals 4th edition problems you re working on just go to the chapter for your book hit a

[solution for engineering fundamentals an introduction to](#) - Jan 08 2023

web solved expert answers for engineering fundamentals an introduction to engineering 5th edition by saeed moaveni instant access with 24 7 expert assistance

[engineering fundamentals an introduction to engineering](#) - Oct 05 2022

web ebook from 46 99 get this book in print my library my history engineering fundamentals an introduction to engineering saeed moaveni cengage learning jan

engineering fundamentals an introduction to engineering 6th - Aug 03 2022

web find step by step solutions and answers to engineering fundamentals an introduction to engineering 9781439062104 as well as thousands of textbooks so you can move

engineering fundamentals 6th edition vitalsource - Sep 23 2021

saeed moaveni solution manual for engineering fundamentals - Feb 09 2023

web solution manual for engineering fundamentals an introduction to engineering si edition 5th edition by saeed moaveni link full download

[solutions for engineering fundamentals 4th by saeed moaveni](#) - Jun 13 2023

web solutions for engineering fundamentals 4th by saeed moaveni book solutions numerade home textbooks engineering fundamentals solutions for engineering

[engineering fundamentals an introduction to engineering](#) - Nov 06 2022

web jan 1 2015 now in dynamic full color engineering fundamentals an introduction to engineering 5e helps students develop the strong problem

engineering fundamentals an introduction to engineering - Nov 25 2021

web apr 1 2015 dr saeed moaveni p e is a successful author instructor and engineering professional dr moaveni has nearly 30 years of experience in teaching research and

engineering fundamentals an introduction to engineering si - Feb 26 2022

web may 3 2023 develop the strong problem solving skills and foundation in fundamental principles you need to become an analytical detail oriented and creative engineer with

[saeed moaveni solutions chegg com](#) - Apr 11 2023

web 17 rows saeed moaveni engineering fundamentals 2nd edition 0 problems solved

engineering fundamentals an introduction to engineering - Dec 27 2021

web engineering fundamentals an introduction to engineering saeed moaveni 5 catalog description introduction to engineering disciplines organizations and ethics

engineering fundamentals solution manual chegg com - Aug 15 2023

web get instant access to our step by step engineering fundamentals solutions manual our solution manuals are written by chegg experts so you can be assured of the highest

engineering fundamentals an introduction to - Dec 07 2022

web saeed moaveni publisher cengage learning isbn 9781439062081 view more textbook editions sorry we don t have solutions for this edition yet solutions are available for

fundamentals of engineering textbook solutions and answers - Mar 10 2023

web our interactive player makes it easy to find solutions to fundamentals of engineering problems you re working on just go to the chapter for your book hit a particularly tricky

engineering fundamentals an introduction to engineering - Jul 02 2022

web jun 17 2010 specifically designed as an introduction to the exciting world of engineering engineering fundamentals an introduction to engineering

[saeed moaveni open library](#) - Apr 30 2022

web xxiii 808 pages 26 cm includes index previous edition 2011 introduction to the engineering profession preparing for an engineering career introduction to

engineering fundamentals an introduction to engineering si - Jan 28 2022

web engineering fundamentals an introduction to engineering 7th edition is written by saeed moaveni and published by cengage learning the digital and etextbook isbn

engineering fundamentals 5th edition textbook solutions chegg - Jul 14 2023

web ch1 problem 1awyh this is a class project each of you is to ask his or her parents grandparents to think back to when they graduated from high school or college

engineering fundamentals an introduction to engineering si - Oct 25 2021

web over 5 billion engineering fundamentals 6th edition is written by saeed moaveni and published by cengage learning the digital and etextbook isbn for engineering

engineering fundamentals an introduction to engineering - Mar 30 2022

web dr saeed moaveni is a successful engineer author and educator he is a licensed professional engineer in the state of new york and has more than 35 years of

engineering fundamentals an introduction to engineering - Jun 01 2022

web apr 29 2008 author of finite element analysis bundle engineering fundamentals engineering fundamentals engineering fundamentals bundle finite element

engineering fundamentals an introduction to engineering - Sep 04 2022

web webassign for moaveni s engineering fundamentals an introduction to engineering 6th edition is a flexible and fully customizable online instructional solution that puts powerful

111 plumber jobs in philippines november 2023 glassdoor - Nov 27 2022

web as a leading plumbing supplier in the philippines supreme pipe corp offers a range of high quality stainless steel pipes galvanized pipes and black iron pipes let s explore

best local professional plumbing services in the - Apr 01 2023

web list of plumbers in the philippines find a professional to do your plumbing works in the philippines repair a water leaker installation and maintenance of piping for drinking

plumbing suppliers philippines supreme pipe corporation - Sep 25 2022

web sep 30 2021 it is projected that the revenue of electrical plumbing and other construction installation activities in the philippines will amount to approximately 1 2 billion u s

industry revenue of electrical plumbing and other statista - Jul 24 2022

web 4 9 lazada get the best plumbing supplies price in the philippines shop plumbing supplies with our discounts offers

plumbing supplies price list november 2023 philippines - May 22 2022

web ÿ à ßĪŌ ßs zŌst ¼ ê n Æ ÝeªAxphŽdĩ¼0ci þz 0 ô ë jp þ n¼kíëgŨñ n âpwâºööv m È m 0t ÝŌ faŨ â Åm 0 j Ä2bh Ōf 1 êx

the best plumbers for hire in the philippines upwork - Feb 28 2023

web php 174k 75 php 203k the average salary for a plumber is 174 327 in 2023 base salary 128k 203k bonus

affordable plumbing services in the philippines carousell - Jul 04 2023

web 50 plumbing services in the philippines plumber for hire carousell looking for plumbing services in the philippines carousell has listings of plumbing service

[80960884 revised national plumbing code of the philippines](#) - Apr 20 2022

web plumbing reer in the philippines plumbing reer in the philippines 2 downloaded from pivotid uvu edu on 2023 06 28 by guest and techniques every investor needs to navigate

[plumbing reer in the philippines book pivotid uvu](#) - Feb 16 2022

web plumbing reer in the philippines a wonderful fictional value full of organic emotions lies an immersive symphony waiting to be embraced crafted by a masterful composer of

plumbing practice in the philippines 2022 construire - Jun 22 2022

web calooron city philippines may 3 2000 basic principlesthe basic principles of the 1999 national plumbing code of the philippines is an update of the tenets established in the plumbing law of the philippines approved on 18 june 1955 as amended on 28 november 1959

the plumbing code of the philippines essential regulations and - Oct 07 2023

web jul 23 2023 the plumbing code of the philippines is a set of regulations and standards that govern plumbing practices and systems in the country it serves as a

plumbers philippines expat com - Jan 30 2023

web what companies are hiring for plumber jobs in philippines search plumber jobs in philippines with company ratings salaries 111 open jobs for plumber in philippines

[top plumbing services in philippines list of plumbing services](#) - Aug 05 2023

web list of best plumbing services in philippines top plumbing services in philippines plumbing services near me best plumbing services philippines business directory

[understanding the plumbing code of the philippines](#) - Aug 25 2022

web sep 24 2021 on june 18 1955 r a 1378 otherwise known as the plumbing law of the philippines was signed by president ramon magsaysay on january 28 1959

the 10 best plumbing services in philippines infoinfo - Jun 03 2023

web jun 27 2021 here s a list of 13 top plumbers for hire philippines 2022 let s start unclogging 1 a d plumbing and electrical services a d plumbing and electrical

best plumbing services philippines plumbing services philippines - Sep 06 2023

web noriel plumbing services the most efficient and reliable plumbing services philippines offers a wide variety of plumbing services such us siphoning septic tanks services re

the importance of plumbing and sanitation systems supreme - Oct 27 2022

web jan 24 2023 the plumbing system includes all the water system from the drainage system vents septic tank waste pipe vent system and vent pipes water supply

average plumber with plumbing skills salary in - Dec 29 2022

web look no further than supreme pipe corp for your plumbing and sanitary needs in the philippines as a reputable steel pipe supplier in the philippines we provide the best possible pipes to our clients through rigorous testing and inspection competitive prices and on time delivery

308 permanent redirect - Mar 20 2022

web oct 21 2022 7 the third congress of the republic of the philippines in its second session approved after the third reading house bill no 962 this became republic act no 1378 on june 18 1955 r a 1378 otherwise known as the plumbing law of the philippines was signed by president ramon magsaysay 7 1954 on january 28

13 best plumbers for hire philippines 2022 medium - May 02 2023

web nov 4 2023 hire the best freelance plumbers in the philippines on upwork the world s top freelancing website it s simple to post your job and we ll quickly match you with the

plumbing reer in the philippines ceu social - Dec 17 2021

plumbing reer in the philippines pdf dtzonline - Nov 15 2021

13 history of plumbing in the philippines pdf slideshare - Jan 18 2022

web pages of plumbing reer in the philippines a mesmerizing literary creation penned with a celebrated wordsmith readers attempt an enlightening odyssey unraveling the