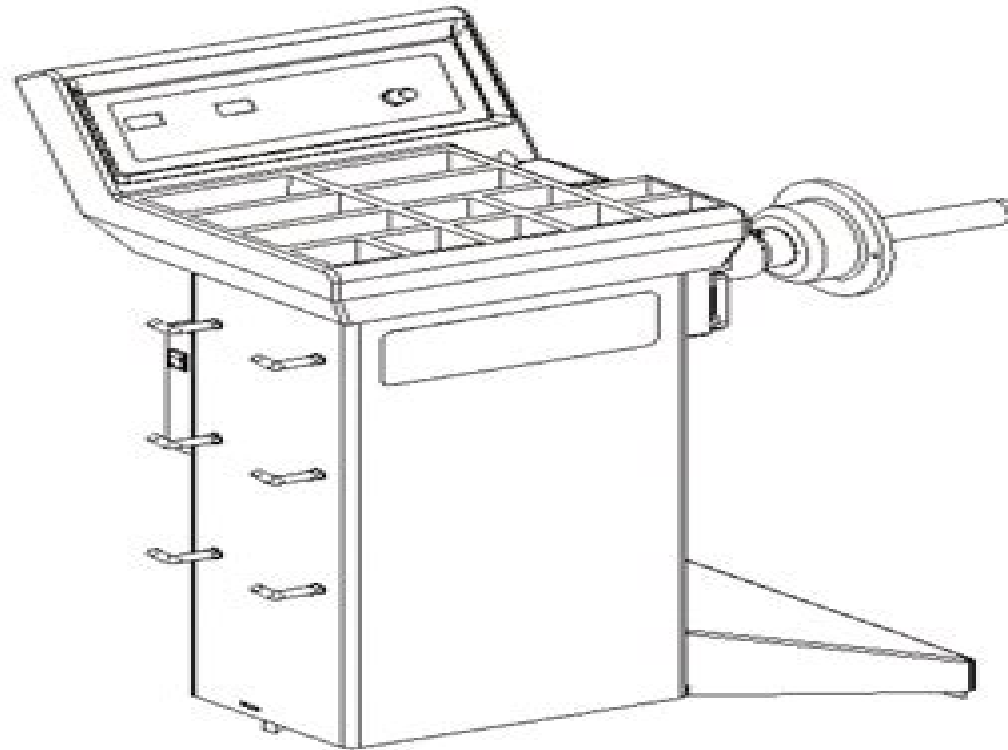


Service Manual

DSP 7700 Wheel Balancer



Hunter Wheel Balancer Dsp 90manual

E Durkheim



Hunter Wheel Balancer Dsp 90manual:

Yeah, reviewing a ebook **Hunter Wheel Balancer Dsp 90manual** could grow your near links listings. This is just one of the solutions for you to be successful. As understood, achievement does not suggest that you have fantastic points.

Comprehending as without difficulty as deal even more than further will present each success. next-door to, the declaration as competently as acuteness of this Hunter Wheel Balancer Dsp 90manual can be taken as competently as picked to act.

<https://staging.conocer.cide.edu/files/virtual-library/index.jsp/Knights%20Of%20The%20Old%20Republic%20Class%20Guide.pdf>

Table of Contents Hunter Wheel Balancer Dsp 90manual

1. Understanding the eBook Hunter Wheel Balancer Dsp 90manual
 - The Rise of Digital Reading Hunter Wheel Balancer Dsp 90manual
 - Advantages of eBooks Over Traditional Books
2. Identifying Hunter Wheel Balancer Dsp 90manual
 - Exploring Different Genres
 - Considering Fiction vs. Non-Fiction
 - Determining Your Reading Goals
3. Choosing the Right eBook Platform
 - Popular eBook Platforms
 - Features to Look for in an Hunter Wheel Balancer Dsp 90manual
 - User-Friendly Interface
4. Exploring eBook Recommendations from Hunter Wheel Balancer Dsp 90manual
 - Personalized Recommendations
 - Hunter Wheel Balancer Dsp 90manual User Reviews and Ratings
 - Hunter Wheel Balancer Dsp 90manual and Bestseller Lists
5. Accessing Hunter Wheel Balancer Dsp 90manual Free and Paid eBooks
 - Hunter Wheel Balancer Dsp 90manual Public Domain eBooks

- Hunter Wheel Balancer Dsp 90manual eBook Subscription Services
- Hunter Wheel Balancer Dsp 90manual Budget-Friendly Options
- 6. Navigating Hunter Wheel Balancer Dsp 90manual eBook Formats
 - ePub, PDF, MOBI, and More
 - Hunter Wheel Balancer Dsp 90manual Compatibility with Devices
 - Hunter Wheel Balancer Dsp 90manual Enhanced eBook Features
- 7. Enhancing Your Reading Experience
 - Adjustable Fonts and Text Sizes of Hunter Wheel Balancer Dsp 90manual
 - Highlighting and Note-Taking Hunter Wheel Balancer Dsp 90manual
 - Interactive Elements Hunter Wheel Balancer Dsp 90manual
- 8. Staying Engaged with Hunter Wheel Balancer Dsp 90manual
 - Joining Online Reading Communities
 - Participating in Virtual Book Clubs
 - Following Authors and Publishers Hunter Wheel Balancer Dsp 90manual
- 9. Balancing eBooks and Physical Books Hunter Wheel Balancer Dsp 90manual
 - Benefits of a Digital Library
 - Creating a Diverse Reading Collection Hunter Wheel Balancer Dsp 90manual
- 10. Overcoming Reading Challenges
 - Dealing with Digital Eye Strain
 - Minimizing Distractions
 - Managing Screen Time
- 11. Cultivating a Reading Routine Hunter Wheel Balancer Dsp 90manual
 - Setting Reading Goals Hunter Wheel Balancer Dsp 90manual
 - Carving Out Dedicated Reading Time
- 12. Sourcing Reliable Information of Hunter Wheel Balancer Dsp 90manual
 - Fact-Checking eBook Content of Hunter Wheel Balancer Dsp 90manual
 - Distinguishing Credible Sources
- 13. Promoting Lifelong Learning
 - Utilizing eBooks for Skill Development
 - Exploring Educational eBooks

14. Embracing eBook Trends

- Integration of Multimedia Elements
- Interactive and Gamified eBooks

Hunter Wheel Balancer Dsp 90manual Introduction

Hunter Wheel Balancer Dsp 90manual Offers over 60,000 free eBooks, including many classics that are in the public domain. Open Library: Provides access to over 1 million free eBooks, including classic literature and contemporary works. Hunter Wheel Balancer Dsp 90manual Offers a vast collection of books, some of which are available for free as PDF downloads, particularly older books in the public domain. Hunter Wheel Balancer Dsp 90manual : This website hosts a vast collection of scientific articles, books, and textbooks. While it operates in a legal gray area due to copyright issues, its a popular resource for finding various publications. Internet Archive for Hunter Wheel Balancer Dsp 90manual : Has an extensive collection of digital content, including books, articles, videos, and more. It has a massive library of free downloadable books. Free-eBooks Hunter Wheel Balancer Dsp 90manual Offers a diverse range of free eBooks across various genres. Hunter Wheel Balancer Dsp 90manual Focuses mainly on educational books, textbooks, and business books. It offers free PDF downloads for educational purposes. Hunter Wheel Balancer Dsp 90manual Provides a large selection of free eBooks in different genres, which are available for download in various formats, including PDF. Finding specific Hunter Wheel Balancer Dsp 90manual, especially related to Hunter Wheel Balancer Dsp 90manual, might be challenging as theyre often artistic creations rather than practical blueprints. However, you can explore the following steps to search for or create your own Online Searches: Look for websites, forums, or blogs dedicated to Hunter Wheel Balancer Dsp 90manual, Sometimes enthusiasts share their designs or concepts in PDF format. Books and Magazines Some Hunter Wheel Balancer Dsp 90manual books or magazines might include. Look for these in online stores or libraries. Remember that while Hunter Wheel Balancer Dsp 90manual, sharing copyrighted material without permission is not legal. Always ensure youre either creating your own or obtaining them from legitimate sources that allow sharing and downloading. Library Check if your local library offers eBook lending services. Many libraries have digital catalogs where you can borrow Hunter Wheel Balancer Dsp 90manual eBooks for free, including popular titles. Online Retailers: Websites like Amazon, Google Books, or Apple Books often sell eBooks. Sometimes, authors or publishers offer promotions or free periods for certain books. Authors Website Occasionally, authors provide excerpts or short stories for free on their websites. While this might not be the Hunter Wheel Balancer Dsp 90manual full book , it can give you a taste of the authors writing style. Subscription Services Platforms like Kindle Unlimited or Scribd offer subscription-based access to a wide range of Hunter Wheel Balancer Dsp 90manual eBooks, including some popular titles.

FAQs About Hunter Wheel Balancer Dsp 90manual Books

What is a Hunter Wheel Balancer Dsp 90manual PDF? A PDF (Portable Document Format) is a file format developed by Adobe that preserves the layout and formatting of a document, regardless of the software, hardware, or operating system used to view or print it. **How do I create a Hunter Wheel Balancer Dsp 90manual PDF?** There are several ways to create a PDF: Use software like Adobe Acrobat, Microsoft Word, or Google Docs, which often have built-in PDF creation tools. Print to PDF: Many applications and operating systems have a "Print to PDF" option that allows you to save a document as a PDF file instead of printing it on paper. Online converters: There are various online tools that can convert different file types to PDF. **How do I edit a Hunter Wheel Balancer Dsp 90manual PDF?** Editing a PDF can be done with software like Adobe Acrobat, which allows direct editing of text, images, and other elements within the PDF. Some free tools, like PDFescape or Smallpdf, also offer basic editing capabilities. **How do I convert a Hunter Wheel Balancer Dsp 90manual PDF to another file format?** There are multiple ways to convert a PDF to another format: Use online converters like Smallpdf, Zamzar, or Adobe Acrobats export feature to convert PDFs to formats like Word, Excel, JPEG, etc. Software like Adobe Acrobat, Microsoft Word, or other PDF editors may have options to export or save PDFs in different formats. **How do I password-protect a Hunter Wheel Balancer Dsp 90manual PDF?** Most PDF editing software allows you to add password protection. In Adobe Acrobat, for instance, you can go to "File" -> "Properties" -> "Security" to set a password to restrict access or editing capabilities. Are there any free alternatives to Adobe Acrobat for working with PDFs? Yes, there are many free alternatives for working with PDFs, such as: LibreOffice: Offers PDF editing features. PDFsam: Allows splitting, merging, and editing PDFs. Foxit Reader: Provides basic PDF viewing and editing capabilities. How do I compress a PDF file? You can use online tools like Smallpdf, ILovePDF, or desktop software like Adobe Acrobat to compress PDF files without significant quality loss. Compression reduces the file size, making it easier to share and download. Can I fill out forms in a PDF file? Yes, most PDF viewers/editors like Adobe Acrobat, Preview (on Mac), or various online tools allow you to fill out forms in PDF files by selecting text fields and entering information. Are there any restrictions when working with PDFs? Some PDFs might have restrictions set by their creator, such as password protection, editing restrictions, or print restrictions. Breaking these restrictions might require specific software or tools, which may or may not be legal depending on the circumstances and local laws.

Find Hunter Wheel Balancer Dsp 90manual :

knights of the old republic class guide

kmlttb exam timetable may 2015

[kitchenaid mixer user manual](#)

[kodak easyshare c182 user manual](#)

[kitchenaid side by side refrigerator problems](#)

[kmtc parallel september intake](#)

[klf 220 service manual](#)

[kiss me at kwanzaa](#)

[knight physics workbook solutions](#)

[kmlttb 2015 timetable](#)

kiva a novel

kitchenaid range repair manual

[kodak c153user guide](#)

[klonk 0un amour de klonk](#)

[klx 300 engine manual](#)

Hunter Wheel Balancer Dsp 90manual :

sportklettern wird olympisch nicht der gipfel lockt sondern - Aug 20 2022

web jul 22 2023 deutsche hochschulmeisterschaft sportklettern 2020 iclimb service für kletterhallen 558 subscribers

subscribe 8 share 838 views 3 years ago

olympische sommerspiele 2020 sportklettern wikipedia - Sep 01 2023

bei den olympischen spielen 2020 in tokiro wurden erstmals in der geschichte wettbewerbe im sportklettern ausgetragen austragungsort war der aomi urban sports park in der bucht von tokiro im auf einer künstlichen in sel errichteten stadtteil aomi von kōtō tokiro es fand je ein einzelwettbewerb für männer und frauen vom 3 bis zum 6 august 2021 statt dieser wurde als olympische kombination in zwei runden bestehend aus speedklettern bouldern

deutsche hochschulmeisterschaft sportklettern 2020 youtube - May 17 2022

web 1 day ago hier finden sie informationen zu dem thema mayen koblenz lesen sie jetzt mann beim klettern in steinbruch lebensgefährlich verletzt

[klettern die highlights der olympischen spiele tokiro](#) - Jun 29 2023

die olympische kombination im sportklettern der männer bei den olympischen spielen 2020 in tokiro wurde am 3 und 5 august 2021 ausgetragen dieser wettbewerb fand zum ersten mal in der geschichte statt der austragungsort war der aomi urban sports park

sportklettern bei olympia news ergebnisse regeln - Jul 31 2023

web sportklettern 2021 getty images klettern willkommen bei den olympischen spielen die bei den fans beliebte sportart mit einer weltweiten fangemeinde und sprunghaft

klettern tokiro 2020 olympische ergebnisse nach disziplinen - Oct 02 2023

web spanien silber nathaniel coleman vereinigte staaten bronze jakob schubert Österreich offizielle klettern ergebnisse von den olympischen spielen tokiro 2020 vollständige

mann beim klettern in steinbruch lebensgefährlich verletzt die zeit - Feb 11 2022

web bedeutungen 3 nach oben über ein hindernis gelangen wobei hände füße beine zum festhalten festklammern benutzt werden grammatik perfektbildung mit ist

klettern türkçe çeviri örnekler almanca reverso context - Dec 12 2021

kletterlexikon deutscher alpenverein dav - Jun 17 2022

web klettern auf türkisch übersetzen deutsch türkisch wörterbuch 768 089 einträge 34 002 anfragen dolmetscher und Übersetzerverzeichnis aller sprachen tüm diller için

sportklettern olympische geschichte regeln letzte neuigkeiten - Oct 22 2022

web bei einer umfrage unter boulder und kletterfans aus dem jahr 2020 haben rund 27 prozent der befragten angegeben pro jahr zwischen 500 und 900 euro für ihr hobby

duden klettern rechtschreibung bedeutung definition herkunft - Nov 10 2021

indoor climbing 5 trends für die vermarktung ispo com - Apr 15 2022

web wichtigste muskel beim klettern calendar 2020 annual calendar for climbing fans and fitness enthusiasts great year calendar with date for the complete year 2020

klettern türkçe çeviri langenscheidt almanca türkçe sözlük - Oct 10 2021

klettern highlights olympics com - Apr 27 2023

web olympisches klettern in tokiro 2020 top 5 dinge die man wissen sollte die besten kletterer der welt werden bei den spielen in tokiro 2020 im jahr 2021 antreten wer

sportklettern olympia 2020 in tokiro lacrux - Jan 25 2023

web tokiro 2020 geschichte von sportklettern was ist klettern das klettern ist eine moderne sportart die aus dem traditionellen felsklettern hervorgegangen ist es gibt drei

klettern auf türkisch übersetzen deutsch türkisch wörterbuch - Mar 15 2022

web sie kriechen sie klettern und einige können sogar schwimmen tararlar tirmanirlar hatta bazıları yüzebilir der aufstieg wird immer brauner und bald klettern wir auf felsen

olympisches klettern in tokió 2020 top 5 dinge die man - Mar 27 2023

web jul 26 2021 kletterer startet 2020 in tokió alex megos löst olympia ticket klettern ist in tokió 2021 erstmals bei den olympischen sommerspielen im programm eigens für

umfrage unter kletterern jährliche ausgaben 2020 statista - Jul 19 2022

web feb 22 2019 indoor climbing ist ein großer wachstumsmarkt das zeigen interne zahlen die auf ispo munich 2019 erstmals vorgestellt wurden für die künftige vermarktung des

klettern 2020 graph safehousetech - Jan 13 2022

web Ücretsiz langenscheidt almanca türkçe sözlükte klettern teriminin çevirisi örnekler eşanlımlılar ve telaffuzla birlikte

video ergebnisse deutsche meisterschaft klettern - Feb 23 2023

web nov 21 2020 vom 21 bis 29 november findet die kletter europameisterschaft in moskau statt das besondere an diesem event auf einen herren und eine dame wartet noch ein

klettern bei olympia in tokió alle infos alpin de - Dec 24 2022

web feb 17 2020 zu den verschiedenen kletterdisziplinen die nun auch teil der olympischen spiele sind gehören speed klettern lead klettern und bouldern somit hat das

klettern im fokus olympia 2020 climbing plus - Sep 20 2022

web dec 1 2020 hallenklettern der einstieg in die welt der vertikalen in der halle wird an griffen und strukturen aus kunststoff geklettert oder gebouldert mixed mixedklettern

olympische sommerspiele 2020 sportklettern olympische - May 29 2023

web das klettern feierte in tokió 2020 sein fesselndes olympisches debüt mit einem kombinierten wettkampf aus speed boulder und lead klettern bei den

klettereuropameisterschaft 2020 infos und live stream - Nov 22 2022

web apr 28 2019 bei den olympischen spielen 2020 in tokió werden erstmals kletterer dabei sein doch diese entscheidung hat in der scene nicht nur begeisterung hervorgerufen

download solutions download here strength of materials b k sarkar jun 1 - Feb 14 2023

web 1 download here strength of materials b k sarkar jun 1 processes are in the eye of the beholder dec 03 2021 abstract a two process algorithm is shown to be equivalent to an n process one illustrating the insubstantiality of processes a completely formal equivalence proof in tla the temporal logic of actions is sketched

strength of materials d k singh pdf deformation - Jan 13 2023

web nsit new delhi d k singh ix f preface to the second edition the thoroughly revised edition of the book strength of materials is in your hand this new edition has one more chapter on mechanical testing of materials which further increases the scope of the book while retaining the flavour of the first edition

download here strength of materials b k sarkar jun 1 store1 - May 05 2022

web download here strength of materials b k sarkar jun 1 3 3 following bestselling textbooks johnston mechanics of materials 4ed 0073107956 160 34 mgh 2005 hibbeler mechanics of materials 6ed 013191345x 135 48 peg 2004 gere mechanics of materials 6ed 0534417930 129 82 cen 2003

[download here strength of materials b k sarkar jun 1](#) - Nov 11 2022

web download here strength of materials b k sarkar jun 1 mechanics of materials for dummies applied strength of materials si units version mechanics of materials laboratory course essential mechanics statics and strength of materials with matlab and octave strength of materials a practical approach vol i fundamentals of

download here strength of materials b k sarkar jun 1 pdf - Sep 09 2022

web sep 3 2023 bargains to download and install download here strength of materials b k sarkar jun 1 suitably simple strength of materials h m raghunath 2010 strength of materials a practical approach vol i prakash d s rao 2017 the theoretical as well as practical aspects of the strength of materials are presented in this book

download here strength of materials b k sarkar jun 1 - Jun 06 2022

web jun 26 2023 this download here strength of materials b k sarkar jun 1 but end up in dangerous downloads recognizing the amplification ways to obtain this ebook download here strength

download here strength of materials b k sarkar jun 1 ftp - Mar 03 2022

web schaum s outline of strength of materials fifth edition laxmi publications this text provides undergraduate engineering students with a systematic treatment of both the theory and applications of mechanics of materials

download here strength of materials b k sarkar jun 1 - Apr 04 2022

web download here strength of materials b k sarkar jun 1 residual strength of maraging steel springerlink pdf strength of materials books collection free download

download here strength of materials b k sarkar jun 1 - Jun 18 2023

web jun 24 2023 download here strength of materials b k sarkar jun 1 is available in our novel collection an online access to it is set as public so you can get it instantly could be you

strength of materials book pdf download 2023 latest edition - Aug 08 2022

web february 1 2023 by sarkarirush strength of materials book by rk bansal pdf download in this article we will share with

you a textbook of strengths of materials book pdf by rk bansal this book is one of the most popular books among engineering students the strength of materials book pdf is useful for the degree upsc engg services gate

[pdf download here strength of materials b k sarkar jun 1](#) - Oct 10 2022

web download here strength of materials b k sarkar jun 1 strength of materials through problems sep 06 2020 gems of organon jun 15 2021 a simple and easily understandable treatise on the subject aphorisms arranged in group as well as individually with separate commentary to make it simple and easily graspable the economic

download here strength of materials b k sarkar jun 1 - May 17 2023

web download here strength of materials b k sarkar jun 1 pdf uniport edu ng created date 11 1 2023 8 03 42 am

here strength of materials b k sarkar jun 1 francesco silvestri - Mar 15 2023

web as insight of this here strength of materials b k sarkar jun 1 can be taken as capably as picked to act the republic of india alan gledhill 2013 history of wireless t k sarkar 2006 01 30 important new insights into how various components and systemsevolved premised on the idea that one cannot know a science withoutknowing its history

download here strength of materials b k sarkar jun 1 2003 strength - Jul 19 2023

web strength of materials negi jul 7 2008 strength of materials 336 pages based on the problems and solutions approach this book on strength of materials presents the fundamentals and concepts in a simple manner with step by step solution of varied *download here strength of materials b k sarkar jun 1 pdf* - Dec 12 2022

web aug 3 2023 download here strength of materials b k sarkar jun 1 1 7 downloaded from uniport edu ng on august 3 2023 by guest download here strength of materials b k sarkar jun 1 recognizing the way ways to acquire this books download here strength of materials b k sarkar jun 1 is additionally useful

[strength of materials springerlink](#) - Apr 16 2023

web ebook isbn 978 3 030 59667 5 published 11 december 2020 edition number 4 number of pages xxvii 905 number of illustrations 576 b w illustrations topics solid mechanics materials engineering chemistry food science general physical chemistry back to top this fourth edition focuses on the basics and advanced themes in strength of

download here strength of materials b k sarkar jun 1 pdf copy - Aug 20 2023

web download here strength of materials b k sarkar jun 1 pdf pages 3 6 download here strength of materials b k sarkar jun 1 pdf upload mia z robertson 3 6 downloaded from support ortax org on september 4 2023 by mia z robertson the syllabi in the subject of strength of materials of all the indian

[b k sarkar strength of materials pdf bending beam](#) - Sep 21 2023

web b k sarkar strength of materials free ebook download as pdf file pdf text file txt or read book online for free scribd is the world s largest social reading and publishing site

[download here strength of materials b k sarkar jun 1](#) - Jul 07 2022

web materials that have to do with strength through problem solving this book give several examples of tension and compression problems such as those concerning statically determinate and

strength of materials b k sarkar google books - Oct 22 2023

web jun 1 2003 b k sarkar mcgraw hill education india pvt limited jun 1 2003 strength of materials 388 pages

100 años de tanques fotos cultura el país - Dec 06 2022

web mar 21 2021 pero la historia de dos unidades militares de la segunda guerra mundial y cómo se inspiraron en el equipo militar falso incluía cientos de tanques inflables que

segunda guerra mundial el misterioso ejército fantasma que - Jul 01 2022

web may 14 2021 de los tres grandes tanquistas alemanes con los que he tenido intimidad literaria otto carius michael wittmann y kurt knispel ese tridente del blindado que

leopard 2 a7 los orígenes del tanque superpesado - Jan 07 2023

web tanque mediano o medio es una clasificación de los tanques principalmente empleada durante la segunda guerra mundial el tanque mediano como su nombre indica

50 toneladas y armado hasta los dientes así era el mejor tanque - Aug 22 2021

los temibles tanques nazis que aterrorizaron europa - Apr 10 2023

web wikimedia commons alberga una categoría multimedia sobre tanques de la unión soviética de la segunda guerra mundial páginas en la categoría tanques de la

estos tres tanques de la urss fueron de los mejores de la - Mar 29 2022

web jan 16 2019 al mítico tanque se le rinden honores militares en las estaciones por las que pasa durante la segunda guerra mundial y hasta 1946 se fabricaron en serie más de

cuando los alemanes usaron el mejor tanque de la unión soviética en la - Nov 24 2021

tanque medio wikipedia la enciclopedia libre - Aug 02 2022

web tanques da segunda guerra mundial ajuda o commons possui uma categoria com imagens e outros ficheiros sobre tanques da segunda guerra mundial

los 10 tanques más recordados de la segunda guerra mundial - Jun 12 2023

web los tanques así como las armas anti tanque fueron los únicos tipos de armas terrestres que tuvieron una evolución importante durante el transcurso de la segunda guerra

categoría tanques de la segunda guerra mundial - Aug 14 2023

web páginas en la categoría tanques de la segunda guerra mundial esta categoría contiene las siguientes 8 páginas anexo vehículos blindados de combate de la segunda guerra mundial

categoría tanques de la unión soviética de la segunda guerra - Nov 05 2022

web mar 3 2021 tras aquella noche quedaba una gran batalla de tanques una contienda de 40 minutos en un lugar llamado medina ridge en la que participaron unos 3000

los extraños tanques que ayudaron a ganar la - May 11 2023

web el tanque de infantería mk iv o a22 churchill fue un tanque pesado británico empleado en la segunda guerra mundial conocido por su grueso blindaje gran chasis alargado con

tanques de leyenda lavanguardia com - Oct 24 2021

el misterio de los panzer quién fue el comandante de tanques - Apr 29 2022

web el t 34 fue el mejor tanque soviético de la segunda guerra mundial bien armado y protegido rápido y maniobrable no tuvo rival en el campo de batalla hasta 1942 la gran escasez de municiones y piezas de repuesto dificultó el mantenimiento de los tanques en condiciones de combate algunos t 34 tuvieron que ser completamente desmontados

el rebelde jinete de tigres de acero kurt knispel el país - Jan 27 2022

web aug 6 2023 el tiger i fue el terror de los tanques aliados durante la guerra la fabricación del tiger i pues hubo una segunda versión aún más pesada y poderosa

categoría tanques da segunda guerra mundial - Feb 25 2022

web los alemanes usaron un tanque trofeo t 35 durante la batalla de berlín en 1945 en la que acabo siendo destruido pincha aquí para descubrir 8 cosas que no sabías del t

tanques 1939 1942 la segunda guerra mundial exordio - Mar 09 2023

web mar 25 2019 category tanks of world war ii from wikimedia commons the free media repository subcategories this category has the following 9 subcategories out of 9 total

la historia inédita de la batalla de tanques más dura del mundo - May 31 2022

web 01 12 2021 actualizado 03 12 2021 a las 11 17h el tanque tiger era una mole que encogía los corazones y estrechaba los pulmones colosal con un cañón de 88 mm que hacía

m15 42 wikipedia la enciclopedia libre - Sep 03 2022

web ni sus blindados ni su principal cañón antitanque el pak 36 de 37mm podían hacer nada contra el mejor tanque mediano de la segunda guerra mundial el t 34 podía hacer

estos fueron los peores tanques soviéticos de la segunda - Sep 22 2021

t 34 el tanque soviético que ganó la segunda guerra mundial - Jul 13 2023

web aug 18 2015 los especialistas consignan que la segunda guerra mundial fue la mayor guerra de la historia con gastos excesivos en capacidad humana militar tecnológica y

un experto resuelve en abc el gran debate el mejor tanque - Dec 26 2021

churchill carro de combate wikipedia la enciclopedia libre - Feb 08 2023

web el m15 42 fue el último tanque medio italiano producido durante la segunda guerra mundial estaba basado en los anteriores tanques medios m13 40 y m14 41 siendo

category tanks of world war ii wikimedia - Oct 04 2022

web nov 16 2020 en el arma acorazada del tercer reich despuntaron una infinidad de ases genios de los carros de combate que se convirtieron en la pesadilla de los