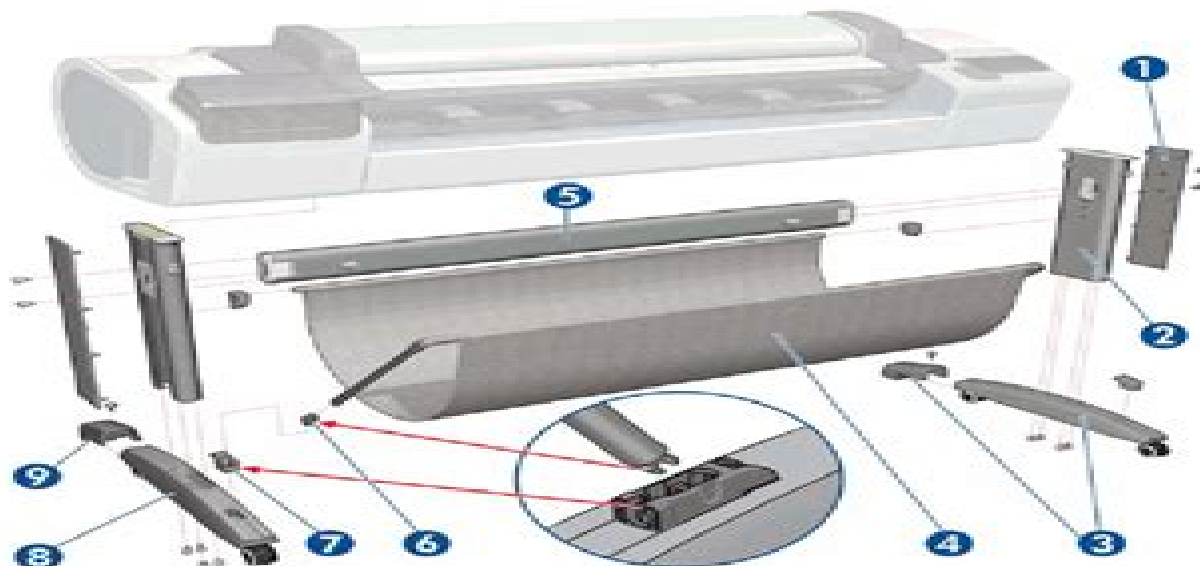


Product Support

	HP Part Number	Part Description	Cross-reference	Products Applicable
1	Q5669-60718	Leg Cover (CSR A) (Left & Right)		All
2	Q5669-60716	Leg Assembly (Left & Right)		All
3	CN727-60056	Stand Foot w/ extension w/ screw (x2)		T2300
4	Q6659-60237	Bin Assembly (includes Bin Support, gray color) (CSR A)	Bin Assembly on page 207	T1300-44"-2R, T2300
	Q5669-60719			T790-24"
5	Q6659-60236	Cross-brace Assembly		T790-44"-1R, T1300-44"-2R, T2300
	Q5669-60717			T790-24"
6	Q5669-67063	Basket Tube x 2 (CSR A)		T790, T1300
	Q6659-60159	Basket Tube		T2300
7	Q5669-60715	Foot Bracket x 2		T790-44"-1R, T790-24" T1300-44"-2R
8	Q5669-60730	Hardware Kit (includes screws for Legs Assembly) (CSR A)		T2300
	CH639-69001	Foot Assembly (includes 2 feet, black color)		T790, T2300
9	CN727-60093	Stand Foot Extension (w/screw)	Foot Extension on page 461	T2300



Hp T790 Service Manual

Ying Liu



Hp T790 Service Manual:

HP LaserJet 4200, 4250, 4300 and 4350 Series Printers Hewlett-Packard Company,2004 *HP 33440A Laser Printer Service Manual* Hewlett-Packard Company,1987 HP 2630 family service manual ,1979 *HP LaserJet 4000, 4000 N, 4000 T, and 4000 TN Printers* Hewlett-Packard Co,1997 **STANDARD Service Manual 1939-1946** ,1956 **Chilton's Tractor Service Manual** ,1981 **Model T Ford Factory Service Manual** David Grant Stewart (Sr.),2014

Parts-service Manual Thor Corporation. Service Corporation,1947 John Deere 4020 Tractor Technical Service Repair Manual ,1973-12-15 **HJ Holden and Statesman Service Manual** ,1974

Right here, we have countless book **Hp T790 Service Manual** and collections to check out. We additionally meet the expense of variant types and along with type of the books to browse. The okay book, fiction, history, novel, scientific research, as competently as various other sorts of books are readily affable here.

As this Hp T790 Service Manual, it ends going on bodily one of the favored book Hp T790 Service Manual collections that we have. This is why you remain in the best website to see the incredible book to have.

https://staging.conocer.cide.edu/public/uploaded-files/Documents/Fireflood_Other_Stories.pdf

Table of Contents Hp T790 Service Manual

1. Understanding the eBook Hp T790 Service Manual
 - The Rise of Digital Reading Hp T790 Service Manual
 - Advantages of eBooks Over Traditional Books
2. Identifying Hp T790 Service Manual
 - Exploring Different Genres
 - Considering Fiction vs. Non-Fiction
 - Determining Your Reading Goals
3. Choosing the Right eBook Platform
 - Popular eBook Platforms
 - Features to Look for in an Hp T790 Service Manual
 - User-Friendly Interface
4. Exploring eBook Recommendations from Hp T790 Service Manual
 - Personalized Recommendations
 - Hp T790 Service Manual User Reviews and Ratings
 - Hp T790 Service Manual and Bestseller Lists
5. Accessing Hp T790 Service Manual Free and Paid eBooks
 - Hp T790 Service Manual Public Domain eBooks

- Hp T790 Service Manual eBook Subscription Services
- Hp T790 Service Manual Budget-Friendly Options
- 6. Navigating Hp T790 Service Manual eBook Formats
 - ePub, PDF, MOBI, and More
 - Hp T790 Service Manual Compatibility with Devices
 - Hp T790 Service Manual Enhanced eBook Features
- 7. Enhancing Your Reading Experience
 - Adjustable Fonts and Text Sizes of Hp T790 Service Manual
 - Highlighting and Note-Taking Hp T790 Service Manual
 - Interactive Elements Hp T790 Service Manual
- 8. Staying Engaged with Hp T790 Service Manual
 - Joining Online Reading Communities
 - Participating in Virtual Book Clubs
 - Following Authors and Publishers Hp T790 Service Manual
- 9. Balancing eBooks and Physical Books Hp T790 Service Manual
 - Benefits of a Digital Library
 - Creating a Diverse Reading Collection Hp T790 Service Manual
- 10. Overcoming Reading Challenges
 - Dealing with Digital Eye Strain
 - Minimizing Distractions
 - Managing Screen Time
- 11. Cultivating a Reading Routine Hp T790 Service Manual
 - Setting Reading Goals Hp T790 Service Manual
 - Carving Out Dedicated Reading Time
- 12. Sourcing Reliable Information of Hp T790 Service Manual
 - Fact-Checking eBook Content of Hp T790 Service Manual
 - Distinguishing Credible Sources
- 13. Promoting Lifelong Learning
 - Utilizing eBooks for Skill Development
 - Exploring Educational eBooks

14. Embracing eBook Trends

- Integration of Multimedia Elements
- Interactive and Gamified eBooks

Hp T790 Service Manual Introduction

Hp T790 Service Manual Offers over 60,000 free eBooks, including many classics that are in the public domain. Open Library: Provides access to over 1 million free eBooks, including classic literature and contemporary works. Hp T790 Service Manual Offers a vast collection of books, some of which are available for free as PDF downloads, particularly older books in the public domain. Hp T790 Service Manual : This website hosts a vast collection of scientific articles, books, and textbooks. While it operates in a legal gray area due to copyright issues, its a popular resource for finding various publications. Internet Archive for Hp T790 Service Manual : Has an extensive collection of digital content, including books, articles, videos, and more. It has a massive library of free downloadable books. Free-eBooks Hp T790 Service Manual Offers a diverse range of free eBooks across various genres. Hp T790 Service Manual Focuses mainly on educational books, textbooks, and business books. It offers free PDF downloads for educational purposes. Hp T790 Service Manual Provides a large selection of free eBooks in different genres, which are available for download in various formats, including PDF. Finding specific Hp T790 Service Manual, especially related to Hp T790 Service Manual, might be challenging as theyre often artistic creations rather than practical blueprints. However, you can explore the following steps to search for or create your own Online Searches: Look for websites, forums, or blogs dedicated to Hp T790 Service Manual, Sometimes enthusiasts share their designs or concepts in PDF format. Books and Magazines Some Hp T790 Service Manual books or magazines might include. Look for these in online stores or libraries. Remember that while Hp T790 Service Manual, sharing copyrighted material without permission is not legal. Always ensure youre either creating your own or obtaining them from legitimate sources that allow sharing and downloading. Library Check if your local library offers eBook lending services. Many libraries have digital catalogs where you can borrow Hp T790 Service Manual eBooks for free, including popular titles. Online Retailers: Websites like Amazon, Google Books, or Apple Books often sell eBooks. Sometimes, authors or publishers offer promotions or free periods for certain books. Authors Website Occasionally, authors provide excerpts or short stories for free on their websites. While this might not be the Hp T790 Service Manual full book , it can give you a taste of the authors writing style. Subscription Services Platforms like Kindle Unlimited or Scribd offer subscription-based access to a wide range of Hp T790 Service Manual eBooks, including some popular titles.

FAQs About Hp T790 Service Manual Books

What is a Hp T790 Service Manual PDF? A PDF (Portable Document Format) is a file format developed by Adobe that preserves the layout and formatting of a document, regardless of the software, hardware, or operating system used to view or print it. **How do I create a Hp T790 Service Manual PDF?** There are several ways to create a PDF: Use software like Adobe Acrobat, Microsoft Word, or Google Docs, which often have built-in PDF creation tools. Print to PDF: Many applications and operating systems have a "Print to PDF" option that allows you to save a document as a PDF file instead of printing it on paper. Online converters: There are various online tools that can convert different file types to PDF. **How do I edit a Hp T790 Service Manual PDF?** Editing a PDF can be done with software like Adobe Acrobat, which allows direct editing of text, images, and other elements within the PDF. Some free tools, like PDFescape or Smallpdf, also offer basic editing capabilities. **How do I convert a Hp T790 Service Manual PDF to another file format?** There are multiple ways to convert a PDF to another format: Use online converters like Smallpdf, Zamzar, or Adobe Acrobats export feature to convert PDFs to formats like Word, Excel, JPEG, etc. Software like Adobe Acrobat, Microsoft Word, or other PDF editors may have options to export or save PDFs in different formats. **How do I password-protect a Hp T790 Service Manual PDF?** Most PDF editing software allows you to add password protection. In Adobe Acrobat, for instance, you can go to "File" -> "Properties" -> "Security" to set a password to restrict access or editing capabilities. Are there any free alternatives to Adobe Acrobat for working with PDFs? Yes, there are many free alternatives for working with PDFs, such as: LibreOffice: Offers PDF editing features. PDFsam: Allows splitting, merging, and editing PDFs. Foxit Reader: Provides basic PDF viewing and editing capabilities. How do I compress a PDF file? You can use online tools like Smallpdf, ILovePDF, or desktop software like Adobe Acrobat to compress PDF files without significant quality loss. Compression reduces the file size, making it easier to share and download. Can I fill out forms in a PDF file? Yes, most PDF viewers/editors like Adobe Acrobat, Preview (on Mac), or various online tools allow you to fill out forms in PDF files by selecting text fields and entering information. Are there any restrictions when working with PDFs? Some PDFs might have restrictions set by their creator, such as password protection, editing restrictions, or print restrictions. Breaking these restrictions might require specific software or tools, which may or may not be legal depending on the circumstances and local laws.

Find Hp T790 Service Manual :

fireflood other stories

[finding work without losing heart bouncing back from midcareer job loss](#)

finding the best job in boom or bust times

firemans wife and other stories

finite element analysis of plane frames and trusses

finding words for worship a guide for leaders

finite-element-analysis grundlagen.

finding love practical advice for men and women

finger fun a workbook for 1st position violin

finland in the new europe

finding god in the lord of the rings

findings and recommendations on californias permanent partial disability system executive summary

finite differences

fine needle aspiration of the breast

finding christmas

Hp T790 Service Manual :

ISSA Final Exam Flashcards Study with Quizlet and memorize flashcards containing terms like The human body consists of?, Metabolism can be categorized in the following?, ... issa final exam Flashcards Study with Quizlet and memorize flashcards containing terms like the primary fuel during endurance exercise is, the human body consists of, Metabolism can ... ISSA Final Exam section 4.doc - Learning Experiences View ISSA Final Exam section 4.doc from AA 1Learning Experiences, Section 1: (Units 1 - 3) Choose one of the learning experiences below and write a 250-word ... ISSA Final Exam ALL ANSWERS 100% SOLVED ... - YouTube ISSA Final Exam ALL ANSWERS 100% SOLVED 2022/ ... Aug 28, 2022 — ISSA Final Exam ALL ANSWERS 100% SOLVED 2022/2023 EDITION RATED GRADE A+. Course; Issa cpt certification. Institution; Issa Cpt Certification. ISSA exercise therapy final exam, Learning experience ... Stuck on a homework question? Our verified tutors can answer all questions, from basic math to advanced rocket science! Post question. Most Popular Content. ISSA Final Exam Page 1 (192 Questions) With Verified ... Feb 22, 2023 — ISSA Final Exam Page 1 (192 Questions) With Verified Answers What is the recommended amount of fat per meal for a male client? ISSA FINAL EXAM QUESTIONS AND ANSWERS - YouTube ISSA Exam Prep 2023 - How to Pass the ISSA CPT Exam Our complete guide to passing the ISSA CPT exam in 2022 will leave you fully-equipped to ace your ISSA exam on the first try. No more tedious ISSA exam. Issa Final Exam Section 1 Answers 2022 Exam (elaborations) - Issa final exam with 100% correct answers 2023. Contents Section 1: Short Answer Section 2: Learning Experiences Section 3: Case Studies ... Historical anthropology - Wikipedia Ethnography And The Historical Imagination - 1st Edition Ethnography And The Historical Imagination (Studies in ... Amazon.com:

Ethnography And The Historical Imagination (Studies in the Ethnographic Imagination): 9780813313054: Comaroff, John & Jean: Books. Ethnography And The Historical Imagination | John Comaroff ... by J Comaroff · 2019 · Cited by 3478 — Over the years John and Jean Comaroff have broadened the study of culture and society with their reflections on power and meaning. ETHNOGRAPHY AND THE HISTORICAL IMAGINATION. ... by J Vansina · 1993 · Cited by 4 — cloth, \$18.95 paper. This book is intended as a textbook for students of historical anthropology. It consists of chapters on ten topics ... Ethnography and the Historical Imagination - John Comaroff Over the years John and Jean Comaroff have broadened the study of culture and society with their reflections on power and meaning. Ethnography and the Historical Imagination - Jean Comaroff Part One of the volume, "Theory, Ethnography, Historiography," includes chapters on ethnographic method and imaginative sociology, totemism and ethnicity, and ... (PDF) Ethnography and the Historical Imagination Abstract. Theory, Ethnography, Historiography * Ethnography and the Historical Imagination * Of Totemism and Ethnicity * Bodily Reform as Historical Practice ... Ethnography And The Historical Imagination Ethnography And The Historical Imagination ... Over the years John and Jean Comaroff have broadened the study of culture and society with their reflections on ... Ethnography and the Historical Imagination by John and ... by DPS Ahluwalia · 1995 — The Journal of Modern African Studies, 33, 4 (1995), pp. 699-731 ... It seeks to locate the ethnographic enterprise within the disciplinary ... Ethnography And The Historical Imagination (Studies in ... Over the years John and Jean Comaroff have broadened the study of culture and society with their reflections on power and meaning. Directed Reading A Holt Science and Technology. 4. The Properties of Matter. Section: Physical ... Answer Key. TEACHER RESOURCE PAGE. Page 5. 31. Answers will vary. Sample answer ... Chemical Properties Answer.pdf A matter with different properties is known as a(n) a. chemical change. b. physical change. c. chemical property. d. physical property. Directed Reading A 3. A substance that contains only one type of particle is a(n). Pure Substance ... Holt Science and Technolnov. 4. Elements. Compounds, and Mixtures. Page 5. Name. Directed Reading Chapter 3 Section 3 . Holt Science and Technology. 5. Minerals of the Earth's Crust. Skills Worksheet. Directed Reading Chapter 3 Section 3. Section: The Formation, Mining, and Use ... Directed Reading A Directed Reading A. SECTION: MEASURING MOTION. 1. Answers will vary. Sample answer: I cannot see Earth moving. Yet, I know. Directed Reading A Directed Reading A. SECTION: MEASURING MOTION. 1. Answers will vary. Sample answer: I cannot see Earth moving. Yet, I know. Key - Name 3. Force is expressed by a unit called the. Force. Force. Newton. 2. Any change in motion is caused by a(n) ... Holt Science and Technology. 60. Matter in Motion. Directed Reading A The product of the mass and velocity of an object is its . 3. Why does a fast-moving car have more momentum than a slow-moving car of the same mass? HOLT CALIFORNIA Physical Science Skills Worksheet. Directed Reading A. Section: Solutions of Acids and Bases. STRENGTHS OF ACIDS AND BASES. Write the letter of the correct answer in the space ...