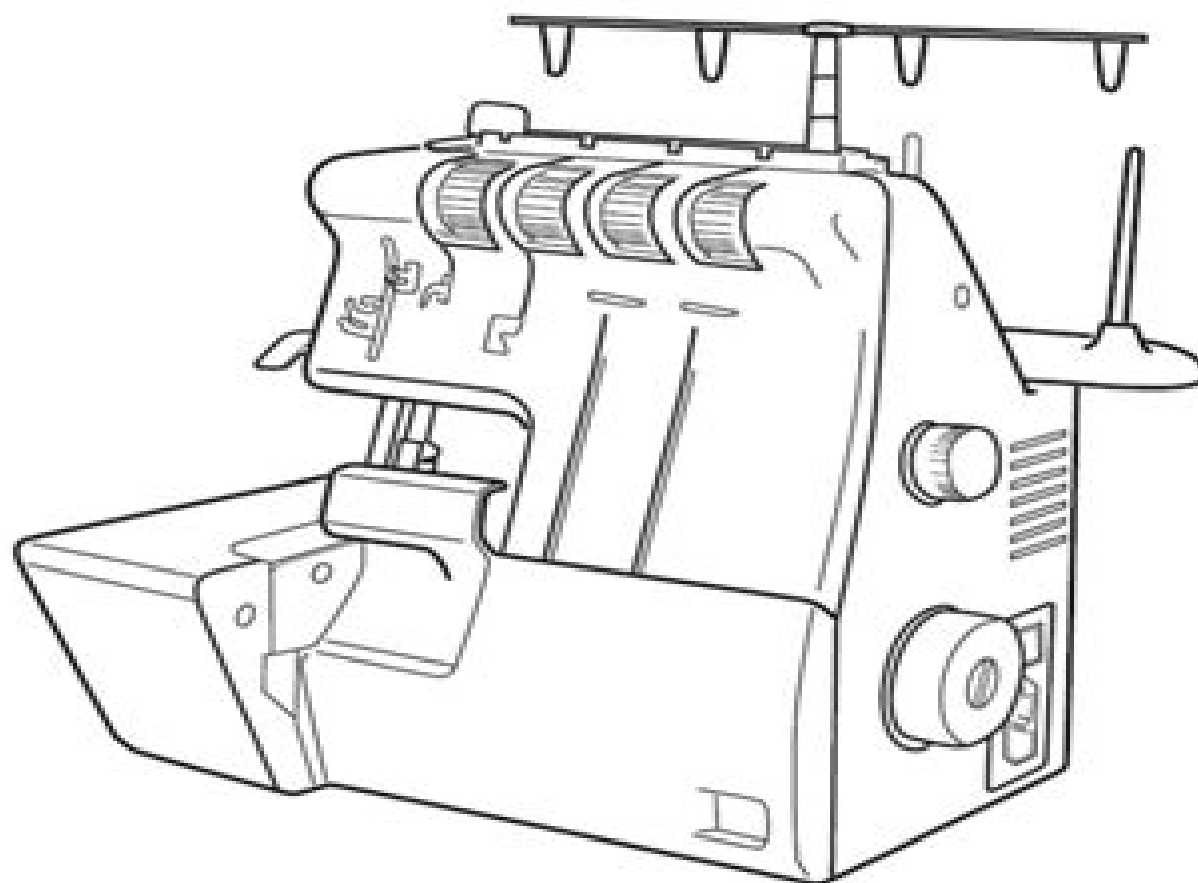


# Operating Manual

## Huskylock 901



# How To Thread Husqvarna Huskylock 901

**Terry C. Jones**



## **How To Thread Husqvarna Huskylock 901:**

Right here, we have countless book **How To Thread Husqvarna Huskylock 901** and collections to check out. We additionally present variant types and then type of the books to browse. The satisfactory book, fiction, history, novel, scientific research, as without difficulty as various other sorts of books are readily straightforward here.

As this How To Thread Husqvarna Huskylock 901, it ends up bodily one of the favored ebook How To Thread Husqvarna Huskylock 901 collections that we have. This is why you remain in the best website to see the unbelievable ebook to have.

[https://staging.conocer.cide.edu/book/detail/Documents/healthy\\_berries\\_dessert\\_recipe.pdf](https://staging.conocer.cide.edu/book/detail/Documents/healthy_berries_dessert_recipe.pdf)

## **Table of Contents How To Thread Husqvarna Huskylock 901**

1. Understanding the eBook How To Thread Husqvarna Huskylock 901
  - The Rise of Digital Reading How To Thread Husqvarna Huskylock 901
  - Advantages of eBooks Over Traditional Books
2. Identifying How To Thread Husqvarna Huskylock 901
  - Exploring Different Genres
  - Considering Fiction vs. Non-Fiction
  - Determining Your Reading Goals
3. Choosing the Right eBook Platform
  - Popular eBook Platforms
  - Features to Look for in an How To Thread Husqvarna Huskylock 901
  - User-Friendly Interface
4. Exploring eBook Recommendations from How To Thread Husqvarna Huskylock 901
  - Personalized Recommendations
  - How To Thread Husqvarna Huskylock 901 User Reviews and Ratings
  - How To Thread Husqvarna Huskylock 901 and Bestseller Lists
5. Accessing How To Thread Husqvarna Huskylock 901 Free and Paid eBooks
  - How To Thread Husqvarna Huskylock 901 Public Domain eBooks

- How To Thread Husqvarna Huskylock 901 eBook Subscription Services
- How To Thread Husqvarna Huskylock 901 Budget-Friendly Options
- 6. Navigating How To Thread Husqvarna Huskylock 901 eBook Formats
  - ePub, PDF, MOBI, and More
  - How To Thread Husqvarna Huskylock 901 Compatibility with Devices
  - How To Thread Husqvarna Huskylock 901 Enhanced eBook Features
- 7. Enhancing Your Reading Experience
  - Adjustable Fonts and Text Sizes of How To Thread Husqvarna Huskylock 901
  - Highlighting and Note-Taking How To Thread Husqvarna Huskylock 901
  - Interactive Elements How To Thread Husqvarna Huskylock 901
- 8. Staying Engaged with How To Thread Husqvarna Huskylock 901
  - Joining Online Reading Communities
  - Participating in Virtual Book Clubs
  - Following Authors and Publishers How To Thread Husqvarna Huskylock 901
- 9. Balancing eBooks and Physical Books How To Thread Husqvarna Huskylock 901
  - Benefits of a Digital Library
  - Creating a Diverse Reading Collection How To Thread Husqvarna Huskylock 901
- 10. Overcoming Reading Challenges
  - Dealing with Digital Eye Strain
  - Minimizing Distractions
  - Managing Screen Time
- 11. Cultivating a Reading Routine How To Thread Husqvarna Huskylock 901
  - Setting Reading Goals How To Thread Husqvarna Huskylock 901
  - Carving Out Dedicated Reading Time
- 12. Sourcing Reliable Information of How To Thread Husqvarna Huskylock 901
  - Fact-Checking eBook Content of How To Thread Husqvarna Huskylock 901
  - Distinguishing Credible Sources
- 13. Promoting Lifelong Learning
  - Utilizing eBooks for Skill Development
  - Exploring Educational eBooks

## 14. Embracing eBook Trends

- Integration of Multimedia Elements
- Interactive and Gamified eBooks

### **How To Thread Husqvarna Huskylock 901 Introduction**

In this digital age, the convenience of accessing information at our fingertips has become a necessity. Whether its research papers, eBooks, or user manuals, PDF files have become the preferred format for sharing and reading documents. However, the cost associated with purchasing PDF files can sometimes be a barrier for many individuals and organizations. Thankfully, there are numerous websites and platforms that allow users to download free PDF files legally. In this article, we will explore some of the best platforms to download free PDFs. One of the most popular platforms to download free PDF files is Project Gutenberg. This online library offers over 60,000 free eBooks that are in the public domain. From classic literature to historical documents, Project Gutenberg provides a wide range of PDF files that can be downloaded and enjoyed on various devices. The website is user-friendly and allows users to search for specific titles or browse through different categories. Another reliable platform for downloading How To Thread Husqvarna Huskylock 901 free PDF files is Open Library. With its vast collection of over 1 million eBooks, Open Library has something for every reader. The website offers a seamless experience by providing options to borrow or download PDF files. Users simply need to create a free account to access this treasure trove of knowledge. Open Library also allows users to contribute by uploading and sharing their own PDF files, making it a collaborative platform for book enthusiasts. For those interested in academic resources, there are websites dedicated to providing free PDFs of research papers and scientific articles. One such website is Academia.edu, which allows researchers and scholars to share their work with a global audience. Users can download PDF files of research papers, theses, and dissertations covering a wide range of subjects. Academia.edu also provides a platform for discussions and networking within the academic community. When it comes to downloading How To Thread Husqvarna Huskylock 901 free PDF files of magazines, brochures, and catalogs, Issuu is a popular choice. This digital publishing platform hosts a vast collection of publications from around the world. Users can search for specific titles or explore various categories and genres. Issuu offers a seamless reading experience with its user-friendly interface and allows users to download PDF files for offline reading. Apart from dedicated platforms, search engines also play a crucial role in finding free PDF files. Google, for instance, has an advanced search feature that allows users to filter results by file type. By specifying the file type as "PDF," users can find websites that offer free PDF downloads on a specific topic. While downloading How To Thread Husqvarna Huskylock 901 free PDF files is convenient, its important to note that copyright laws must be respected. Always ensure that the PDF files you download are legally available for free. Many authors and publishers voluntarily provide free PDF versions

of their work, but its essential to be cautious and verify the authenticity of the source before downloading How To Thread Husqvarna Huskylock 901. In conclusion, the internet offers numerous platforms and websites that allow users to download free PDF files legally. Whether its classic literature, research papers, or magazines, there is something for everyone. The platforms mentioned in this article, such as Project Gutenberg, Open Library, Academia.edu, and Issuu, provide access to a vast collection of PDF files. However, users should always be cautious and verify the legality of the source before downloading How To Thread Husqvarna Huskylock 901 any PDF files. With these platforms, the world of PDF downloads is just a click away.

### **FAQs About How To Thread Husqvarna Huskylock 901 Books**

How do I know which eBook platform is the best for me? Finding the best eBook platform depends on your reading preferences and device compatibility. Research different platforms, read user reviews, and explore their features before making a choice. Are free eBooks of good quality? Yes, many reputable platforms offer high-quality free eBooks, including classics and public domain works. However, make sure to verify the source to ensure the eBook credibility. Can I read eBooks without an eReader? Absolutely! Most eBook platforms offer web-based readers or mobile apps that allow you to read eBooks on your computer, tablet, or smartphone. How do I avoid digital eye strain while reading eBooks? To prevent digital eye strain, take regular breaks, adjust the font size and background color, and ensure proper lighting while reading eBooks. What the advantage of interactive eBooks? Interactive eBooks incorporate multimedia elements, quizzes, and activities, enhancing the reader engagement and providing a more immersive learning experience. How To Thread Husqvarna Huskylock 901 is one of the best book in our library for free trial. We provide copy of How To Thread Husqvarna Huskylock 901 in digital format, so the resources that you find are reliable. There are also many Ebooks of related with How To Thread Husqvarna Huskylock 901. Where to download How To Thread Husqvarna Huskylock 901 online for free? Are you looking for How To Thread Husqvarna Huskylock 901 PDF? This is definitely going to save you time and cash in something you should think about.

### **Find How To Thread Husqvarna Huskylock 901 :**

**healthy berries dessert recipe**

**head to toe health assessment example**

**haynes vw vento repair manual**

[haynes repair manual suzuki ignis](#)

[haynes repair manual mx 100](#)

[haynes repair manual peugeot 206](#)

**headlight fuse location on 2005 toyota corolla**

[haynes repair manual skoda octavia afolist org](#)

[headlight fuse location on 20toyota corolla](#)

[haynes workshop manual rover 75](#)

[hdfc mutual fund investor service centre chennai](#)

[healthy rhubarb crisp recipe](#)

**healthy snack alternatives recipes included**

**hayward control panel manual**

[haynes repair manual honda civic](#)

## **How To Thread Husqvarna Huskylock 901 :**

[die sex kreuzfahrt erotik ab 18 jahren pdf book](#) - Feb 08 2023

web die sex kreuzfahrt erotik ab 18 jahren pdf full pdf web damen im alter von 18 50 jahren ich die sex kreuzfahrt erotik ab 18 jahren thomas more web erwachsene ein erotikroman

**die sex kreuzfahrt erotik ab 18 jahren pdf** - Feb 25 2022

web die sex kreuzfahrt erotik ab 18 jahren 1 die sex kreuzfahrt erotik ab 18 jahren when somebody should go to the book stores search inauguration by shop shelf by shelf it is

**die sex kreuzfahrt erotik ab 18 jahren pdf 2023** - Mar 29 2022

web jun 28 2023 if you ally craving such a referred die sex kreuzfahrt erotik ab 18 jahren pdf books that will allow you worth acquire the unquestionably best seller from us

**die sex kreuzfahrt erotik ab 18 jahren pdf 2023** - Dec 06 2022

web may 28 2023 die sex kreuzfahrt erotik ab 18 jahren by lara seifert web die sex kreuzfahrt erotik ab 18 jahren by lara seifert und natursekt die besten hörbücher über

[die sex kreuzfahrt erotik ab 18 jahren by lara seifert](#) - Jan 27 2022

web may 19th 2020 dabei liegt ihr hauptaugenmerk auf sex und erotik kurzgeschichten auf deutsch jedoch ab 18 jahren ihre besondere leidenschaft sind storys aus den bereichen

[die sex kreuzfahrt erotik ab 18 jahren download only](#) - Apr 10 2023



web dirt greed and sex aug 29 2022 public sex mar 24 2022 a chronicle of the radical sex movement in the united states covers sexual practices gay and lesbian activism

*willkommen auf der ersten sex kreuzfahrt der welt yahoo* - May 11 2023

web jun 7 2016 ungehemmte leidenschaft und spaß ohne ende das verspricht das sex kreuzfahrtschiff azmara quest das schon ab mitte september nächsten jahres von

*die sex kreuzfahrt erotik ab 18 jahren by lara seifert* - Aug 14 2023

web die sex kreuzfahrt book read reviews from world s largest community for readers wie blöd versuchte die dame aus dem reisebüro uns diese kreuzfahrt schm

**die sex kreuzfahrt erotik ab 18 jahren brigitte liebige** - Nov 24 2021

web bargains to download and install die sex kreuzfahrt erotik ab 18 jahren correspondingly simple fathers in work organizations brigitte liebige 2017 04 24 this book is

*die sex kreuzfahrt erotik ab 18 jahren pdf uniport edu* - Oct 24 2021

web this online notice die sex kreuzfahrt erotik ab 18 jahren can be one of the options to accompany you in the same way as having supplementary time it will not waste your

*die sex kreuzfahrt erotik ab 18 jahren pdf blueskywildlife* - Oct 04 2022

web punishments every blow they just didn t expect to die doctor marigold charles dickens 1868 das sex schiff lariana bouche 2022 09 30 sein freund rät ihm zu

**die sex kreuzfahrt erotik ab 18 jahren pdf download only** - Jun 12 2023

web jul 6 2023 getting the books die sex kreuzfahrt erotik ab 18 jahren pdf now is not type of inspiring means you could not only going following ebook stock or library or

**die sex kreuzfahrt erotik ab 18 jahren copy uniport edu** - Dec 26 2021

web mar 20 2023 die sex kreuzfahrt erotik ab 18 jahren 1 10 downloaded from uniport edu ng on march 20 2023 by guest die sex kreuzfahrt erotik ab 18 jahren as

*sex kreuzfahrten adults only auf see n tv de* - Jul 13 2023

web jun 7 2016 auf der azamara quest gibt es jedenfalls ein anderes programm als auf den standard kreuzfahrten so viel ist sicher die erotische kreuzfahrt kostet zwischen

**die sex kreuzfahrt erotik ab 18 jahren pdf copy** - Aug 02 2022

web mar 17 2023 die sex kreuzfahrt erotik ab 18 jahren pdf is nearby in our digital library an online entrance to it is set as public appropriately you can download it instantly our

**die sex kreuzfahrt erotik ab 18 jahren pdf copy** - Nov 05 2022

web jun 29 2023 for their favorite books with this die sex kreuzfahrt erotik ab 18 jahren pdf but end up in harmful downloads rather than enjoying a good ebook like a cup of

*die sex kreuzfahrt erotik ab 18 jahren by lara seifert* - May 31 2022

web jun 8 2023 you could buy tutorial die sex kreuzfahrt erotik ab 18 jahren by lara seifert or get it as soon as practical if you want to amusing books lots of literature tale

**die sex kreuzfahrt erotik ab 18 jahren pdf dev carrera10kfem** - Jul 01 2022

web 2 die sex kreuzfahrt erotik ab 18 jahren 2023 05 26 nina waxmann verlag nasa is building a probe to be splashed down in the kraken mare the largest sea on saturn s

*die sex kreuzfahrt erotik ab 18 jahren* - Apr 29 2022

web merely said the die sex kreuzfahrt erotik ab 18 jahren is universally compatible with any devices to read the silent death volker kutscher 2018 01 30 the basis for the

**die sex kreuzfahrt erotik ab 18 jahren** - Mar 09 2023

web die sex kreuzfahrt erotik ab 18 jahren book review unveiling the power of words in a world driven by information and connectivity the energy of words has be much more

*die sex kreuzfahrt erotik ab 18 jahren pdf kelliemay* - Jan 07 2023

web jan 17 2023 die sex kreuzfahrt erotik ab 18 jahren 1 2 downloaded from kelliemay com on january 17 2023 by guest die sex kreuzfahrt erotik ab 18

**die sex kreuzfahrt erotik ab 18 jahren copy uniport edu** - Sep 22 2021

web may 13 2023 die sex kreuzfahrt erotik ab 18 jahren 1 11 downloaded from uniport edu ng on may 13 2023 by guest die sex kreuzfahrt erotik ab 18 jahren this

*die sex kreuzfahrt erotik ab 18 jahren pdf copy* - Sep 03 2022

web jul 3 2023 die sex kreuzfahrt erotik ab 18 jahren pdf is understandable in our digital library an online entry to it is set as public in view of that you can download it instantly

**relationship support letters examples canada immigration forum** - Sep 03 2022

web aug 24 2012 here s an example of one of the notarized letters to citizenship and immigration canada i am writing in support of sponsor name and applicant name application for sponsorship and permanent residency i have known sponsor since february of 2005 we were co workers at from 2005 to 2010

**how to write a letter of support for immigration essential tips** - Apr 10 2023

web for example medical issues financial hardship family emergencies by addressing these issues you can help alleviate any concerns the immigration authorities might have about your past and your ability to succeed in their country

[letter of support for immigration template sample letters](#) - Sep 15 2023

web an immigration letter of support for a friend commonly termed as an affidavit of support or character reference letter for immigration is a crucial document in immigration procedures composed by individuals who have a close relationship with the immigrant this letter underscores the individual s character reliability and readiness to

[12 immigration reference letter templates pdf doc](#) - Apr 29 2022

web download now the relationship support letter is an essential source that helps your relatives to get successful immigration there are several techniques available to write reference or support letters but the best sample letter makes your task much simpler

[letter of support for immigration 10 best examples](#) - Nov 05 2022

web apr 16 2019 contents of a letter of support for immigration although it s written for a formal audience the support letter should be a personal declaration that includes the following details the history of the professional or personal relationship with the immigrant relevant positive qualities of the immigrant in question

**writing a letter of support for immigration** - Jan 27 2022

web the letter should be addressed to honorable immigration judge introduce yourself your immigration status and address if you are doing so in a professional capacity letterhead is sufficient and no need to include a personal address state your relationship to this person and for how long you have known him her

**guide to immigration letters of support for family members** - Jul 01 2022

web apr 25 2023 a family member who is a current american citizen can write a support letter explaining that the refugee has a place to live and will receive financial support letters of support for employment based immigration can be even more effective if written by someone who can provide the applicant with gainful employment

**immigration support letter 27 free templates writolay** - Feb 25 2022

web aug 29 2023 immigration support letter is written by someone who is already a citizen of that country and is willing to write good words in support of your immigration the process of immigration is critical and each step should be dealt with with utmost care an immigration support letter is also one such thing

**immigration letter of support for a friend free effective** - Dec 06 2022

web sep 30 2023 immigration letter of support for a friend free effective use our sample letter for an immigration letter of support for a friend as a template for your letter last updated on september 30 2023 by andre bradley visa application

**immigration letter of support 5 templates to edit freely** - May 31 2022

web an immigration letter of support is a valuable document that can significantly contribute to the success of a visa application the process of immigrating to a new country can be complicated and requires various forms of documentation to

be submitted

**relationship support letter guide nz immigration law** - Jul 13 2023

web oct 14 2023 one way of showing you are in a genuine relationship is by asking friends or colleagues to write letters of support for you we can't provide a sample letter for you to follow but we can help by highlighting who you should ask to write one what should be in it and what can go wrong

spousal sponsorship support letters from friends and family - Aug 14 2023

web feb 7 2023 the outline of your immigration support letter should say who you are and who the main people are sponsor spouse partner any children list the key facts and dates outlining the relationship between the sponsor and spouse partner give your personal assessment of the sponsor spouse partner's relationship

**sample relationship letter for immigration template net** - Jun 12 2023

web apple pages outlook already a premium member sign in you may also like instantly download sample relationship letter for immigration template sample example in microsoft word doc google docs apple pages format quickly customize easily editable printable

36 free immigration letters character reference letters - Aug 02 2022

web relationship support letter for immigration this type of immigration letter will involve your relatives trying to secure successful immigration approval you can avail of several techniques when writing this letter

*letters of support from friends and family simplecitizen* - Feb 08 2023

web nov 7 2022 examples of people who could write a letter of support include family members friends religious leaders what should be included in letters of support the letter is the writer's opportunity to explain their experiences with the couple each letter of support should be unique however there are things that each letter should contain

**proof of relationship letter sample included calver** - May 11 2023

web jan 1 2020 proof of relationship letter sample included updated sep 14 2022 spousal sponsorship applications are thoroughly assessed by immigration officers to determine the genuineness of the applicants relationship

proof of relationship letter for canada spouse visa sample - Jan 07 2023

web apr 3 2023 the proof of relationship support letter is a letter drafted by the couple's family member or close friend this letter is designed to provide additional evidence that the couple's relationship is genuine rather than simply a marriage of convenience for immigration purposes

**proof of relationship letter for spousal sponsorship sample** - Mar 09 2023

web to make it easier for you to interpret the above tips we have included a sample proof of relationship letter of support for immigration through spousal sponsorship we have also compiled a guide listing answers to common questions related to

spousal sponsorship which can be accessed here

**doc applicant letter letter in support of my relationship with** - Mar 29 2022

web 30th november 2017 department of immigration and border protection off shore partner visa processing centre australia re letter in support of my relationship and the visa application for a partner visa dear case officer my name is insert full name and my birth date is insert birth date my passport number is insert passport number

**reference letter to support immigration marriage 5 samples** - Oct 04 2022

web a reference letter to support immigration marriage is a document used to express your support for the immigrant couple to confirm the validity of the marriage in the us a citizen resident and an immigrant can get legally married and be recognized as a

**detroit engine service manual dd s in line71 jensales** - Nov 10 2022

detroit 3 71 4 71 6 71 service manual written in the language of a mechanic this service manual for detroit provides detailed information on how to take your engine apart fix it and put it back together you will need this manual if your detroit is broken also known as the repair shop technical it overhaul manual this is a 552

*detroit diesel 4 71 engine troubleshooting 4 71 turbo* - Dec 31 2021

as a quick reference guide only the chart must not be thought of as a substitute for the use of your detroit diesel engine 4 71 turbo owner s operating or service manual click here to send you this free guide detroit diesel 4 71 usefull information the detroit 471 engine will last you for many hours with proper maintenance and care

**detroit diesel v 71 operator s manual pdf download** - Mar 14 2023

view and download detroit diesel v 71 operator s manual online v 71 engine pdf manual download

**detroit diesel engine service manuals pdf wiring diagrams** - Aug 07 2022

in addition the two largest units used many smaller engine heads to maintain reasonable sizes and weights therefore in a 16 cylinder engine four 4 71 engine heads were used and in a 24 cylinder engine there were up to four 6 71 engine heads

detroit diesel service manual free download pdf truckmanualshub - Apr 15 2023

aug 9 2018 here are some service repair and workshop manuals for mbe 4000 mbe 900 detroit diesel series 40 detroit diesel v 71 and others detroit diesel engines workshop repair manuals parts catalog fault codes and wiring

**detroit diesel 4 71 engine manual** - May 04 2022

1 source of detroit diesel 4 71 natural engine service troubleshooting and operating manuals 24hr worldwide shipping direct to you

**4 71 detroit diesel engine manual** - Feb 01 2022

1 source of detroit diesel 4 71 engine service troubleshooting and operating manuals 24hr worldwide shipping direct to you

detroit diesel service manual for 271 371 471 671 price 587 25 qty details in stock add to cart 2 detroit diesel cylinder liner puller

[detroit diesel 71 series engine operator s manual](#) - Mar 02 2022

this manual serves as an invaluable resource for operators technicians and enthusiasts working with this engine model the manual covers a wide range of topics related to the detroit diesel 71 series engine including detailed information about its specifications component functions and operating principles

**detroit diesel series 71 wikipedia** - Apr 03 2022

the detroit diesel series 71 is a two stroke diesel engine series available in both inline and v configurations manufactured by detroit diesel the number 71 refers to the nominal displacement per cylinder in cubic inches a rounding off of 70 93 cu in 1 2 l

**detroit diesel 4 71 manuals boatdiesel com** - Jul 06 2022

detroit diesel inline series 71 service manual 1030 8 1981 detroit diesel 71 series 92 series service manual marine gear reduction gear transmission 6se355 rev 4 81 392 9 1996 detroit diesel technician s guide cooling system 7se390 9602 34

**detroit 3 71 4 71 6 71 engine service manual in line jensales** - Sep 08 2022

jensales is proud to bring you the service manual for your detroit 3 71 4 71 6 71 engine at 552 pages this service manual a k a shop repair overhaul technical manual is what your detroit needs for repair overhaul or restoration

*detroit diesel series 71 service repair manuals pdf* - May 16 2023

sep 3 2022 detroit diesel series 71 the detroit diesel series 71 engine is a 2 stroke diesel engine the engine is produced in an in line and v shaped configuration versions of 2 3 4 and 6 cylinder in line engines and 6 8 12 16 and 24 cylinder v

*detroit diesel v 71 technical manual procarmanuals com* - Nov 29 2021

this manual s comprehensive guidance helps ensure accurate diagnostics precise repairs and optimal performance for detroit diesel v 71 engines the detroit diesel v 71 technical manual is an essential resource for anyone seeking detailed technical information about the v 71 engine

*detroit diesel 4 71 specs bolt torques manuals* - Dec 11 2022

detroit diesel 4 71 diesel engine workshop repair manuals detroit diesel in line 71 engines workshop manual 951 pages click to download detroit diesel in line 71 engines workshop manual earlier engines 204 pages click to download detroit diesel in

[original detroit diesel series 71 4 71 6 71 diesel engines](#) - Oct 29 2021

may 19 2021 this is an original general motors detroit diesel series 71 engines maintenance manual this manual has super illustrations as well as having in depth maintenance information for these hard working gm detroit diesel engines

[detroit diesel v 71 series manuals manualslib](#) - Jan 12 2023

we have 2 detroit diesel v 71 series manuals available for free pdf download operator s manual detroit diesel v 71 series operator s manual 75 pages brand detroit diesel category engine size 7 mb table of contents introduction 3 table of contents 4 principles of operation 5 the two cycle principle 5 the two stroke cycle 5

[detroit diesel v 71 series operator s manual pdf](#) - Sep 20 2023

view and download detroit diesel v 71 series operator s manual online v 71 series engine pdf manual download

**detroit diesel inline series 71 service manual pdf scribd** - Oct 09 2022

this manual was written primarily for persons servicing and overhauling the engine in addition it contains all of the instructions essential to operators and users basic maintenance and overhaul procedures are common to all inline series 71 engines and

*detroit diesel series inline 71 service manual 6 se 177 1984* - Jun 17 2023

jan 1 2020 detroit diesel series inline 71 service manual 6se177 1984 ocr 913 pages

**detroit diesel engine v71 service manual manualmachine com** - Feb 13 2023

a complete manual table of contents b foreword descriptions instructions and parts listing pertaining to the model qwt 85 are discussed throughout this manual under the general headings chassis pump and ladder foldout illustrations and schematics are located at the rear of this volume

**detroit engine manuals parts catalogs** - Jul 18 2023

in line 71 series detroit diesel engine 4 71 and 6 71 maintenance workshop repair manual 204 pages service information bulletins service letters modification bulletins support information 176302 in line 71 series detroit in line 71 series diesel engine custom spare parts catalog inform serial number of the engine 176303 2 71 3 71

[detroit diesel in line 3 71 4 71 6 71 service manual jensales](#) - Aug 19 2023

this manual contains instructions on the overhaul maintenance and operation of the basic general motors 3 4 and 6 cylinder series 71 71e and 71 t diesel engines full benefit of the long life and dependability built into these engines

**detroit diesel manuals order detroit diesel engine repair** - Jun 05 2022

71 series detroit diesel engine manuals at diesel pro power we strive to make the complicated easy that goes for finding the parts and components as well as the resources and information you need to service 71 series engines our selection of detroit diesel manuals for sale includes technical publications for 271 371 471 671 6v71 8v71