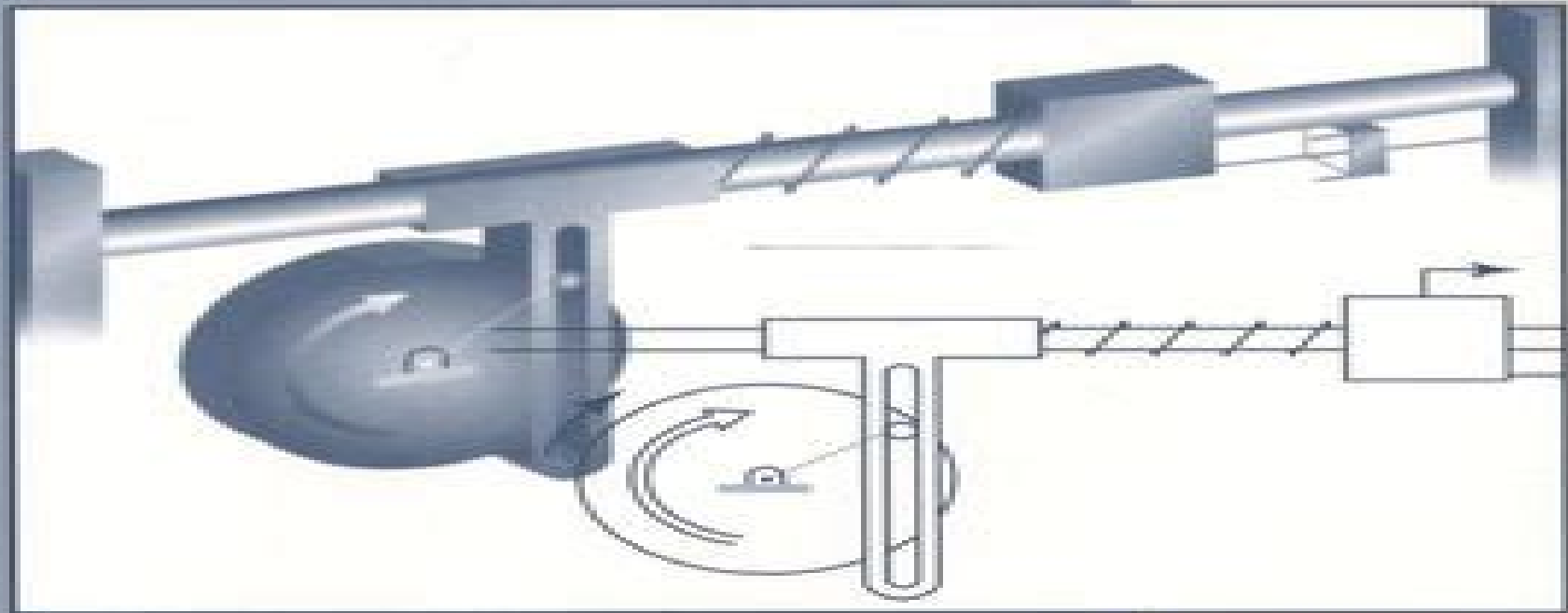


# Mechanical and Structural Vibrations

Theory and  
Applications



Jerry H. Ginsberg

# Mechanical Structural Vibrations Theory Applications

**Guillaume Favre**



## **Mechanical Structural Vibrations Theory Applications:**

Getting the books **Mechanical Structural Vibrations Theory Applications** now is not type of challenging means. You could not lonesome going when ebook accretion or library or borrowing from your links to open them. This is an utterly easy means to specifically acquire lead by on-line. This online publication Mechanical Structural Vibrations Theory Applications can be one of the options to accompany you taking into account having further time.

It will not waste your time. acknowledge me, the e-book will categorically song you new business to read. Just invest little get older to open this on-line publication **Mechanical Structural Vibrations Theory Applications** as competently as review them wherever you are now.

<https://staging.conocer.cide.edu/data/book-search/HomePages/florida%20teacher%20certification%20study%20guides.pdf>

## **Table of Contents Mechanical Structural Vibrations Theory Applications**

1. Understanding the eBook Mechanical Structural Vibrations Theory Applications
  - The Rise of Digital Reading Mechanical Structural Vibrations Theory Applications
  - Advantages of eBooks Over Traditional Books
2. Identifying Mechanical Structural Vibrations Theory Applications
  - Exploring Different Genres
  - Considering Fiction vs. Non-Fiction
  - Determining Your Reading Goals
3. Choosing the Right eBook Platform
  - Popular eBook Platforms
  - Features to Look for in an Mechanical Structural Vibrations Theory Applications
  - User-Friendly Interface
4. Exploring eBook Recommendations from Mechanical Structural Vibrations Theory Applications
  - Personalized Recommendations
  - Mechanical Structural Vibrations Theory Applications User Reviews and Ratings
  - Mechanical Structural Vibrations Theory Applications and Bestseller Lists

5. Accessing Mechanical Structural Vibrations Theory Applications Free and Paid eBooks
  - Mechanical Structural Vibrations Theory Applications Public Domain eBooks
  - Mechanical Structural Vibrations Theory Applications eBook Subscription Services
  - Mechanical Structural Vibrations Theory Applications Budget-Friendly Options
6. Navigating Mechanical Structural Vibrations Theory Applications eBook Formats
  - ePub, PDF, MOBI, and More
  - Mechanical Structural Vibrations Theory Applications Compatibility with Devices
  - Mechanical Structural Vibrations Theory Applications Enhanced eBook Features
7. Enhancing Your Reading Experience
  - Adjustable Fonts and Text Sizes of Mechanical Structural Vibrations Theory Applications
  - Highlighting and Note-Taking Mechanical Structural Vibrations Theory Applications
  - Interactive Elements Mechanical Structural Vibrations Theory Applications
8. Staying Engaged with Mechanical Structural Vibrations Theory Applications
  - Joining Online Reading Communities
  - Participating in Virtual Book Clubs
  - Following Authors and Publishers Mechanical Structural Vibrations Theory Applications
9. Balancing eBooks and Physical Books Mechanical Structural Vibrations Theory Applications
  - Benefits of a Digital Library
  - Creating a Diverse Reading Collection Mechanical Structural Vibrations Theory Applications
10. Overcoming Reading Challenges
  - Dealing with Digital Eye Strain
  - Minimizing Distractions
  - Managing Screen Time
11. Cultivating a Reading Routine Mechanical Structural Vibrations Theory Applications
  - Setting Reading Goals Mechanical Structural Vibrations Theory Applications
  - Carving Out Dedicated Reading Time
12. Sourcing Reliable Information of Mechanical Structural Vibrations Theory Applications
  - Fact-Checking eBook Content of Mechanical Structural Vibrations Theory Applications
  - Distinguishing Credible Sources
13. Promoting Lifelong Learning

- Utilizing eBooks for Skill Development
  - Exploring Educational eBooks
14. Embracing eBook Trends
- Integration of Multimedia Elements
  - Interactive and Gamified eBooks

### **Mechanical Structural Vibrations Theory Applications Introduction**

In today's digital age, the availability of Mechanical Structural Vibrations Theory Applications books and manuals for download has revolutionized the way we access information. Gone are the days of physically flipping through pages and carrying heavy textbooks or manuals. With just a few clicks, we can now access a wealth of knowledge from the comfort of our own homes or on the go. This article will explore the advantages of Mechanical Structural Vibrations Theory Applications books and manuals for download, along with some popular platforms that offer these resources. One of the significant advantages of Mechanical Structural Vibrations Theory Applications books and manuals for download is the cost-saving aspect. Traditional books and manuals can be costly, especially if you need to purchase several of them for educational or professional purposes. By accessing Mechanical Structural Vibrations Theory Applications versions, you eliminate the need to spend money on physical copies. This not only saves you money but also reduces the environmental impact associated with book production and transportation. Furthermore, Mechanical Structural Vibrations Theory Applications books and manuals for download are incredibly convenient. With just a computer or smartphone and an internet connection, you can access a vast library of resources on any subject imaginable. Whether you're a student looking for textbooks, a professional seeking industry-specific manuals, or someone interested in self-improvement, these digital resources provide an efficient and accessible means of acquiring knowledge. Moreover, PDF books and manuals offer a range of benefits compared to other digital formats. PDF files are designed to retain their formatting regardless of the device used to open them. This ensures that the content appears exactly as intended by the author, with no loss of formatting or missing graphics. Additionally, PDF files can be easily annotated, bookmarked, and searched for specific terms, making them highly practical for studying or referencing. When it comes to accessing Mechanical Structural Vibrations Theory Applications books and manuals, several platforms offer an extensive collection of resources. One such platform is Project Gutenberg, a nonprofit organization that provides over 60,000 free eBooks. These books are primarily in the public domain, meaning they can be freely distributed and downloaded. Project Gutenberg offers a wide range of classic literature, making it an excellent resource for literature enthusiasts. Another popular platform for Mechanical Structural Vibrations Theory Applications books and manuals is Open Library. Open Library is an initiative of the Internet Archive, a non-profit organization dedicated to digitizing cultural

artifacts and making them accessible to the public. Open Library hosts millions of books, including both public domain works and contemporary titles. It also allows users to borrow digital copies of certain books for a limited period, similar to a library lending system. Additionally, many universities and educational institutions have their own digital libraries that provide free access to PDF books and manuals. These libraries often offer academic texts, research papers, and technical manuals, making them invaluable resources for students and researchers. Some notable examples include MIT OpenCourseWare, which offers free access to course materials from the Massachusetts Institute of Technology, and the Digital Public Library of America, which provides a vast collection of digitized books and historical documents. In conclusion, Mechanical Structural Vibrations Theory Applications books and manuals for download have transformed the way we access information. They provide a cost-effective and convenient means of acquiring knowledge, offering the ability to access a vast library of resources at our fingertips. With platforms like Project Gutenberg, Open Library, and various digital libraries offered by educational institutions, we have access to an ever-expanding collection of books and manuals. Whether for educational, professional, or personal purposes, these digital resources serve as valuable tools for continuous learning and self-improvement. So why not take advantage of the vast world of Mechanical Structural Vibrations Theory Applications books and manuals for download and embark on your journey of knowledge?

### FAQs About Mechanical Structural Vibrations Theory Applications Books

**What is a Mechanical Structural Vibrations Theory Applications PDF?** A PDF (Portable Document Format) is a file format developed by Adobe that preserves the layout and formatting of a document, regardless of the software, hardware, or operating system used to view or print it. **How do I create a Mechanical Structural Vibrations Theory Applications PDF?** There are several ways to create a PDF: Use software like Adobe Acrobat, Microsoft Word, or Google Docs, which often have built-in PDF creation tools. Print to PDF: Many applications and operating systems have a "Print to PDF" option that allows you to save a document as a PDF file instead of printing it on paper. Online converters: There are various online tools that can convert different file types to PDF. **How do I edit a Mechanical Structural Vibrations Theory Applications PDF?** Editing a PDF can be done with software like Adobe Acrobat, which allows direct editing of text, images, and other elements within the PDF. Some free tools, like PDFescape or Smallpdf, also offer basic editing capabilities. **How do I convert a Mechanical Structural Vibrations Theory Applications PDF to another file format?** There are multiple ways to convert a PDF to another format: Use online converters like Smallpdf, Zamzar, or Adobe Acrobats export feature to convert PDFs to formats like Word, Excel, JPEG, etc. Software like Adobe Acrobat, Microsoft Word, or other PDF editors may have options to export or save PDFs in different formats. **How do I password-protect a Mechanical Structural**

**Vibrations Theory Applications PDF?** Most PDF editing software allows you to add password protection. In Adobe Acrobat, for instance, you can go to "File" -> "Properties" -> "Security" to set a password to restrict access or editing capabilities. Are there any free alternatives to Adobe Acrobat for working with PDFs? Yes, there are many free alternatives for working with PDFs, such as: LibreOffice: Offers PDF editing features. PDFsam: Allows splitting, merging, and editing PDFs. Foxit Reader: Provides basic PDF viewing and editing capabilities. How do I compress a PDF file? You can use online tools like Smallpdf, ILovePDF, or desktop software like Adobe Acrobat to compress PDF files without significant quality loss. Compression reduces the file size, making it easier to share and download. Can I fill out forms in a PDF file? Yes, most PDF viewers/editors like Adobe Acrobat, Preview (on Mac), or various online tools allow you to fill out forms in PDF files by selecting text fields and entering information. Are there any restrictions when working with PDFs? Some PDFs might have restrictions set by their creator, such as password protection, editing restrictions, or print restrictions. Breaking these restrictions might require specific software or tools, which may or may not be legal depending on the circumstances and local laws.

### **Find Mechanical Structural Vibrations Theory Applications :**

#### **florida teacher certification study guides**

~~fleetwood wilderness travel trailer owners manual 2006~~

~~flames of war third edition~~

florida math algebra 1 practice workbook answers

~~flocabulary unit green test~~

#### **fluid mechanics n5 questions with answers**

*florida science grade 6 teacher edition*

~~flashpoint the speculative elements book 4~~

#### **fluency passages 7th grade**

flirtsromantic short stories the flirtsshort stories collections book english edition

#### **fluency phrases for first grade**

#### **flight theory and aerodynamics**

~~fleetwood terry travel trailer maintenance manual~~

fleetwood elkhorn manual

*fleetguard product guide*



### Mechanical Structural Vibrations Theory Applications :

User manual Stannah 420 (English - stairlifts Below you will find the product specifications and the manual specifications of the Stannah 420. The Stannah 420 is a type of stairlift designed to provide ... 420 stairlift The options we've listed below are all covered in this guide, but if you need more information about any options that are not covered, please contact your local ... Stannah stairlift 420 installation manual by RuthThomas4460 Aug 1, 2017 — Read Stannah stairlift 420 installation manual by RuthThomas4460 on Issuu and browse thousands of other publications on our platform. Download User Manual for Stairlift Models Jul 19, 2018 — Do you have questions about your stairlift? Find the user manual for your stairlift model here and browse the features of your stairlift. Stannah 420 Stairlift Product Support Stannah 420 troubleshooting · Check the chair is swivelled back to its travelling position · Check there is no obstruction to the safety edges; if there is, ... Stannah 420 Straight Stair Lifts User Guide Nov 22, 2014 — Stannah 420 Straight Stair Lifts User Guide. Manual Stannah 420 Stairlift Manual for Stannah 420 Stairlift. View and download the pdf, find answers to frequently asked questions and read feedback from users. Stannah 420 Installation manual and query - Stairlifts Jan 20, 2021 — I acquired a Stannah 420 and I am looking for installation manual or an independent fitter in the Farnham, Surrey area to install it. Have you ... Stairlifts User Manual | Stair Chair User Guide Jul 17, 2018 — Do you have questions about your stairlift? Find the manual for your model here and browse the features of your stairlift to get the answers ... Lost in Yonkers Lost in Yonkers. Full-Length Play, Dramatic Comedy / 3f, 4m. Neil Simon. Neil Simon's Pulitzer Prize-winning dramedy beautifully captures the humor, conflict ... Lost in Yonkers As the play opens, ne'er-do-well son Eddie deposits his two young sons on the old lady's doorstep. He is financially strapped and taking to the road as a ... from Lost in Yonkers by N Simon · Cited by 12 — In the play, brothers Arty and Jay live with their grandmother and Aunt Bella in an apartment above the family's candy store. In this excerpt, the boys are ... Lost in Yonkers by Neil Simon | PDF three of us! THE GLASS MENAGERIE by Tennessee Williams. In this scene Amanda plays the suffering,. domineering mother. Laura's shyness is revealed by LOST IN YONKERS by Neil Simon Aug 16, 2019 — And Life was doing stories on him and Look and the newsreels because Billy was searching America to find the Ideal American Boy to play. Lost In Yonkers Script - Dialogue Transcript You play like your old man. Like a loser. You wanna end up selling scrap iron like him? I got four aces. Does that lose? - Yeah, that loses. Four ... Lost in Yonkers (Drama, Plume): 9780452268838: Simon ... Neil Simon's inimitable play about the trials and tribulations that test family ties—winner of the 1991 Pulitzer Prize for Drama. Lost in Yonkers - Neil Simon A coming of age tale that focuses on brothers Arty and Jay, left in the care of their Grandma Kurnitz and Aunt Bella in Yonkers, New York. Lost in Yonkers Buy Script. Description. Full Length Play; Dramatic Comedy; 120 minutes. Time Period: 1940s / WWII; Target Audience: Appropriate for all audiences; Set ... Lost in Yonkers (Drama, Plume) by Neil Simon Neil Simon's inimitable play about the trials and tribulations that test family ties - winner of the 1991 Pulitzer Prize for Drama Beyond Belief - The Ultimate Mind Power Manual Great read! Easy, well written,

packed full of great exercises that are easy to do. Well documented with real life experiences. It is not a book you read then ... The Ultimate Mind Power Instructional Manual (Paperback) Dec 1, 2010 — Beyond Belief: The Ultimate Mind Power Instructional Manual (Paperback). By James F. Coyle. Email or call for availability. Beyond Belief: The Ultimate Mind Power Instructional Manual Beyond Belief: The Ultimate Mind Power Instructional Manual by Coyle, James F. - ISBN 10: 1921787171 - ISBN 13: 9781921787171 - Fontaine Press - 2010 ... Beyond Belief: The Ultimate Mind-Power Instructional ... Beyond Belief: The Ultimate Mind-power Instructional Manual. By James F. Coyle. Copyright © 2011 James F. Coyle. ebook published by Fontaine Press. Beyond Belief: The Ultimate Mind-power Instructional Manual Then would you find all this "Beyond Belief?" All of this, plus more is now possible!! This book explains the techniques. Beyond Belief: The Ultimate Mind-power Instructi ... ISBN. 9781921787171 ; EAN. 9781921787171 ; Book Title. Beyond Belief : the Ultimate Mind Power Instructional Manual ; Accurate description. 4.8 ; Reasonable ... the ultimate mind-power instructional manual / James F. ... Beyond belief : the ultimate mind-power instructional manual / James F. Coyle · Self-actualization (Psychology) · Thought and thinking · Mind and body · Success -- ... The Ultimate Mind Power Instructional Manual by Coyle, James F Beyond Belief: The Ultimate Mind Power Instructional Manual by Coyle, James F ; ISBN 10 1921787171 ; ISBN 13 9781921787171 ; Publisher Fontaine Press ; Condition ... BEYOND BELIEF:THE ULTIMATE MINDPOWER ... Reviewed as the best personal mind manual on the market today. Features extraordinary mental experiments you can do to vastly improve your life. James Coyle (Author of Beyond Belief - The Ultimate Mind ... Beyond Belief - The Ultimate Mind Power Manual by James Coyle Beyond Belief - The Ultimate Mind Power Manual. 3.82 11 ratings 1 review. Published 2011. Want to ...