

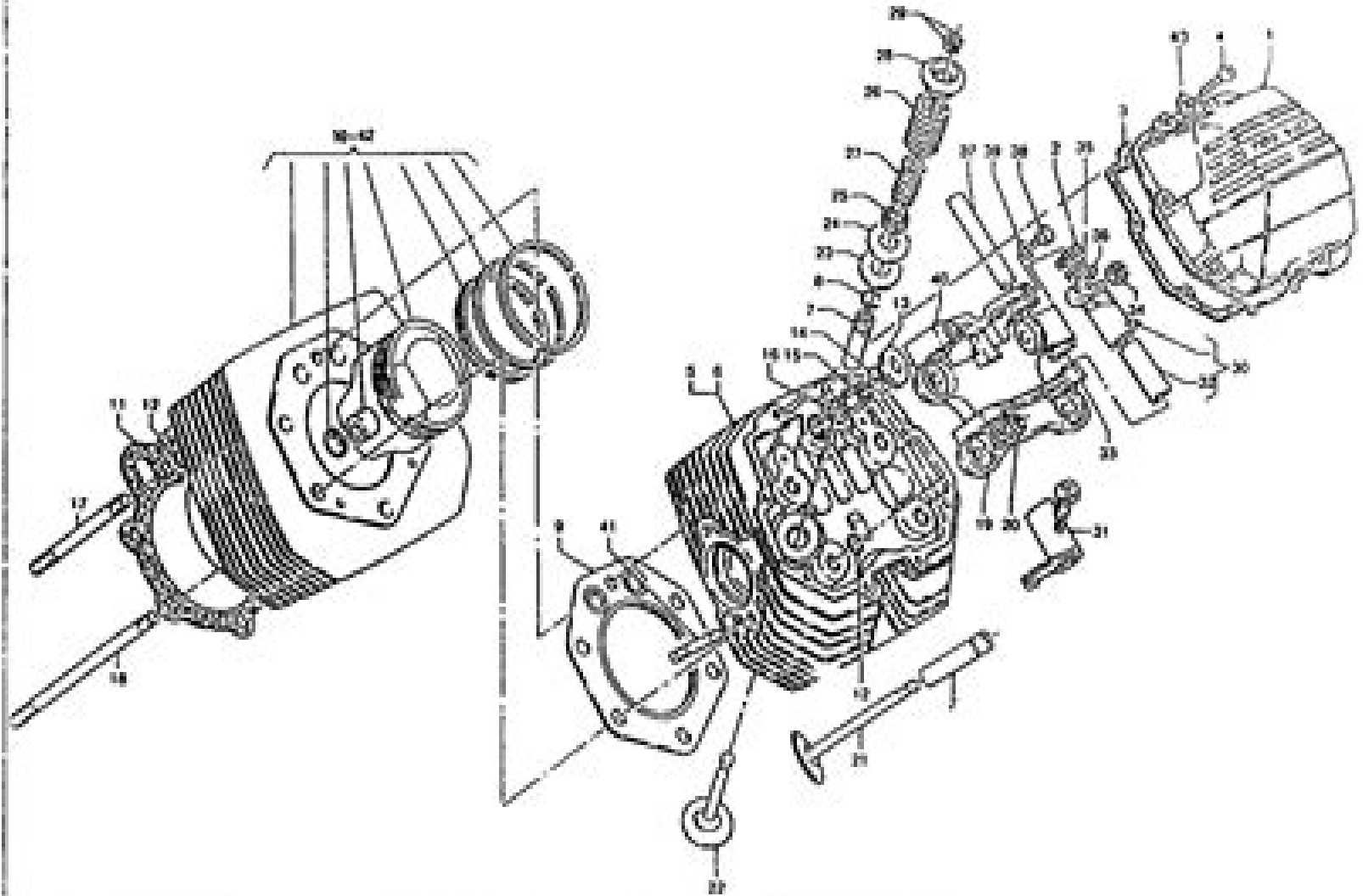
A1

TESTA - CILINDRO
HEAD - CYLINDER

CYLASSE - CYLINDRE
KOPF - ZYLINDER

Testa - Drawing
Table - 814

1



Moto Guzzi Parts Manual

M Woodhall



Moto Guzzi Parts Manual:

Catalog of Copyright Entries. Third Series Library of Congress. Copyright Office, 1976 *WALNECK'S CLASSIC CYCLE TRADER, JANUARY 1990* Causey Enterprises, LLC, **Moto Guzzi Twins Restoration** Mick Walker, Here is the most comprehensive guide to the restoration renovation and development history of all V twins 1965 2000 from the company that author Mick Walker confidently perhaps controversially describes as Italy's most glorious marque An invaluable guide to the many engineering re designs technical modifications and re styling exercises carried out on the V twin Moto Guzzi over years This volume is packed with technical data unavailable from any other single source from Ing Giulio Carcano's 1965 V7 a sensation at the 39th International Milan Show to the V11SS 6 speed gearbox And in between More than 50 models heavyweights and middleweights custom cruisers and off roaders engine and gearbox stripdown electrics fuel injection analysis model recognition model years performance kits even specialized workshop tools Nothing is overlooked in the quest for your perfect Guzzi WALNECK'S CLASSIC CYCLE TRADER, MAY 1998 Causey Enterprises, LLC, WALNECK'S CLASSIC CYCLE TRADER, APRIL 1998 Causey Enterprises, LLC, **WALNECK'S CLASSIC CYCLE TRADER, MAY 1999** Causey Enterprises, LLC, *WALNECK'S CLASSIC CYCLE TRADER, MAY 2008* Causey Enterprises, LLC, *Cycle World Magazine*, 1977-01 WALNECK'S CLASSIC CYCLE TRADER, MAY 2004 Causey Enterprises, LLC, *WALNECK'S CLASSIC CYCLE TRADER, JANUARY 1997* Causey Enterprises, LLC,

Delve into the emotional tapestry woven by in Experience **Moto Guzzi Parts Manual** . This ebook, available for download in a PDF format (Download in PDF: *), is more than just words on a page; itis a journey of connection and profound emotion. Immerse yourself in narratives that tug at your heartstrings. Download now to experience the pulse of each page and let your emotions run wild.

<https://staging.conocer.cide.edu/data/scholarship/index.jsp/ever%20a%20fighter%20robert%20browning.pdf>

Table of Contents Moto Guzzi Parts Manual

1. Understanding the eBook Moto Guzzi Parts Manual
 - The Rise of Digital Reading Moto Guzzi Parts Manual
 - Advantages of eBooks Over Traditional Books
2. Identifying Moto Guzzi Parts Manual
 - Exploring Different Genres
 - Considering Fiction vs. Non-Fiction
 - Determining Your Reading Goals
3. Choosing the Right eBook Platform
 - Popular eBook Platforms
 - Features to Look for in an Moto Guzzi Parts Manual
 - User-Friendly Interface
4. Exploring eBook Recommendations from Moto Guzzi Parts Manual
 - Personalized Recommendations
 - Moto Guzzi Parts Manual User Reviews and Ratings
 - Moto Guzzi Parts Manual and Bestseller Lists
5. Accessing Moto Guzzi Parts Manual Free and Paid eBooks
 - Moto Guzzi Parts Manual Public Domain eBooks
 - Moto Guzzi Parts Manual eBook Subscription Services
 - Moto Guzzi Parts Manual Budget-Friendly Options

6. Navigating Moto Guzzi Parts Manual eBook Formats
 - ePub, PDF, MOBI, and More
 - Moto Guzzi Parts Manual Compatibility with Devices
 - Moto Guzzi Parts Manual Enhanced eBook Features
7. Enhancing Your Reading Experience
 - Adjustable Fonts and Text Sizes of Moto Guzzi Parts Manual
 - Highlighting and Note-Taking Moto Guzzi Parts Manual
 - Interactive Elements Moto Guzzi Parts Manual
8. Staying Engaged with Moto Guzzi Parts Manual
 - Joining Online Reading Communities
 - Participating in Virtual Book Clubs
 - Following Authors and Publishers Moto Guzzi Parts Manual
9. Balancing eBooks and Physical Books Moto Guzzi Parts Manual
 - Benefits of a Digital Library
 - Creating a Diverse Reading Collection Moto Guzzi Parts Manual
10. Overcoming Reading Challenges
 - Dealing with Digital Eye Strain
 - Minimizing Distractions
 - Managing Screen Time
11. Cultivating a Reading Routine Moto Guzzi Parts Manual
 - Setting Reading Goals Moto Guzzi Parts Manual
 - Carving Out Dedicated Reading Time
12. Sourcing Reliable Information of Moto Guzzi Parts Manual
 - Fact-Checking eBook Content of Moto Guzzi Parts Manual
 - Distinguishing Credible Sources
13. Promoting Lifelong Learning
 - Utilizing eBooks for Skill Development
 - Exploring Educational eBooks
14. Embracing eBook Trends
 - Integration of Multimedia Elements

- Interactive and Gamified eBooks

Moto Guzzi Parts Manual Introduction

Moto Guzzi Parts Manual Offers over 60,000 free eBooks, including many classics that are in the public domain. Open Library: Provides access to over 1 million free eBooks, including classic literature and contemporary works. Moto Guzzi Parts Manual Offers a vast collection of books, some of which are available for free as PDF downloads, particularly older books in the public domain. Moto Guzzi Parts Manual : This website hosts a vast collection of scientific articles, books, and textbooks. While it operates in a legal gray area due to copyright issues, its a popular resource for finding various publications. Internet Archive for Moto Guzzi Parts Manual : Has an extensive collection of digital content, including books, articles, videos, and more. It has a massive library of free downloadable books. Free-eBooks Moto Guzzi Parts Manual Offers a diverse range of free eBooks across various genres. Moto Guzzi Parts Manual Focuses mainly on educational books, textbooks, and business books. It offers free PDF downloads for educational purposes. Moto Guzzi Parts Manual Provides a large selection of free eBooks in different genres, which are available for download in various formats, including PDF. Finding specific Moto Guzzi Parts Manual, especially related to Moto Guzzi Parts Manual, might be challenging as theyre often artistic creations rather than practical blueprints. However, you can explore the following steps to search for or create your own Online Searches: Look for websites, forums, or blogs dedicated to Moto Guzzi Parts Manual, Sometimes enthusiasts share their designs or concepts in PDF format. Books and Magazines Some Moto Guzzi Parts Manual books or magazines might include. Look for these in online stores or libraries. Remember that while Moto Guzzi Parts Manual, sharing copyrighted material without permission is not legal. Always ensure youre either creating your own or obtaining them from legitimate sources that allow sharing and downloading. Library Check if your local library offers eBook lending services. Many libraries have digital catalogs where you can borrow Moto Guzzi Parts Manual eBooks for free, including popular titles. Online Retailers: Websites like Amazon, Google Books, or Apple Books often sell eBooks. Sometimes, authors or publishers offer promotions or free periods for certain books. Authors Website Occasionally, authors provide excerpts or short stories for free on their websites. While this might not be the Moto Guzzi Parts Manual full book , it can give you a taste of the authors writing style. Subscription Services Platforms like Kindle Unlimited or Scribd offer subscription-based access to a wide range of Moto Guzzi Parts Manual eBooks, including some popular titles.

FAQs About Moto Guzzi Parts Manual Books

1. Where can I buy Moto Guzzi Parts Manual books? Bookstores: Physical bookstores like Barnes & Noble, Waterstones, and independent local stores. Online Retailers: Amazon, Book Depository, and various online bookstores offer a wide range of books in physical and digital formats.
2. What are the different book formats available? Hardcover: Sturdy and durable, usually more expensive. Paperback: Cheaper, lighter, and more portable than hardcovers. E-books: Digital books available for e-readers like Kindle or software like Apple Books, Kindle, and Google Play Books.
3. How do I choose a Moto Guzzi Parts Manual book to read? Genres: Consider the genre you enjoy (fiction, non-fiction, mystery, sci-fi, etc.). Recommendations: Ask friends, join book clubs, or explore online reviews and recommendations. Author: If you like a particular author, you might enjoy more of their work.
4. How do I take care of Moto Guzzi Parts Manual books? Storage: Keep them away from direct sunlight and in a dry environment. Handling: Avoid folding pages, use bookmarks, and handle them with clean hands. Cleaning: Gently dust the covers and pages occasionally.
5. Can I borrow books without buying them? Public Libraries: Local libraries offer a wide range of books for borrowing. Book Swaps: Community book exchanges or online platforms where people exchange books.
6. How can I track my reading progress or manage my book collection? Book Tracking Apps: Goodreads, LibraryThing, and Book Catalogue are popular apps for tracking your reading progress and managing book collections. Spreadsheets: You can create your own spreadsheet to track books read, ratings, and other details.
7. What are Moto Guzzi Parts Manual audiobooks, and where can I find them? Audiobooks: Audio recordings of books, perfect for listening while commuting or multitasking. Platforms: Audible, LibriVox, and Google Play Books offer a wide selection of audiobooks.
8. How do I support authors or the book industry? Buy Books: Purchase books from authors or independent bookstores. Reviews: Leave reviews on platforms like Goodreads or Amazon. Promotion: Share your favorite books on social media or recommend them to friends.
9. Are there book clubs or reading communities I can join? Local Clubs: Check for local book clubs in libraries or community centers. Online Communities: Platforms like Goodreads have virtual book clubs and discussion groups.
10. Can I read Moto Guzzi Parts Manual books for free? Public Domain Books: Many classic books are available for free as they're in the public domain. Free E-books: Some websites offer free e-books legally, like Project Gutenberg or Open Library.

Find Moto Guzzi Parts Manual :

ever a fighter robert browning

eusebius historia ecclesiasticae 3vol

even the rain is different

evaluation and treatment of syncope a handbook for clinical practice

every tenants legal guide 2nd ed

everlasting harvest making distinctive arrangements and elegant decorations from nature

everyday and architecture

everest years

europes historic castle and palace hotels

european illustration the 14ed

european disability benefit policy progressing towards efficiency public policy and social welfare

european industrial policy

everybodys guide to people watching

european welfare statescomparative perspectives

europes steppe frontier 1500-1800

Moto Guzzi Parts Manual :

ch 1 introduction university physics volume 1 openstax - Mar 07 2023

web book title university physics volume 1 publication date sep 19 2016 location houston texas book url openstax org books

university physics volume 1 pages 1 introduction section url openstax org books university physics volume 1 pages 1

introduction jul 21 2023 openstax

university physics 13th edition textbook solutions bartleby - Feb 23 2022

web book details university physics with modern physics technology update thirteenth edition continues to set the benchmark for clarity and rigor combined with effective teaching and research based innovation

university physics 13th edition textbook solutions chegg com - Jul 31 2022

web step by step solution step 1 of 2 a theory in science is a vast combination of truths and well tested hypotheses theories are a foundation of science and are not fixed but evolve the test of knowledge is an experiment in science in experiment the researchers conclude by manipulating some aspect of nature of observation

university physics 13th edition textbook solutions chegg com - Oct 02 2022

web unlike static pdf university physics 13th edition solution manuals or printed answer keys our experts show you how to solve each problem step by step no need to wait for office hours or assignments to be graded to find out where you took a wrong turn you can check your reasoning as you tackle a problem using our interactive solutions viewer

university physics 13th edition volume 1 kitap 1665188095 - May 09 2023

web fizik1 dersi için ders kitabı 1 dönem tek kullandım kitap 1 4 detaylar durum İyi açıklama fizik1 dersi için ders kitabı 1 dönem tek kullandım 250 tl university physics 13th edition volume 1 muğla muğla türkiye bugün elif yıldız İlan konumu muğla muğla türkiye İlan no 1665188095 İlanı şikayet et

openstax - Sep 13 2023

web openstax offers free college textbooks for all types of students making education accessible affordable for everyone browse our list of available subjects

solution manual for university physics 13th edition volumes 1 - Mar 27 2022

web jun 10 2019 this is the solution manual for university physics 13th edition volumes 1 2 and 3 by roger a freedman hugh d young university physics with modern physics thirteenth

university physics 13th edition solution manual academia edu - Apr 27 2022

web university physics 13th edition solution manual felipe ariasrecio see full pdf download pdf see full pdf download pdf related papers solucionario sears 13ed volumen 1 y 2 13va edición sears y zemansky 13th edition solution marisol perez download free pdf view pdf solucionario 13a ed

university physics 13th edition solution manual pdf - Jan 25 2022

web 21 25 evaluate for a point charge e is proportional to $1/r^2$ for a long straight line of charge e is proportional to $1/r$ identify for a ring of charge the electric field is given by eq 21 8 f qe in part b use newtons third law to relate the force on the ring to the force exerted by the ring

university physics wikipedia - May 29 2022

web 1 1 volume 1 classic mechanics waves acoustics and thermodynamics

university physics volume 1 open textbook library - Aug 12 2023

web dec 5 2016 university physics is a three volume collection that meets the scope and sequence requirements for two and three semester calculus based physics courses volume 1 covers mechanics sound oscillations and waves

university physics volume 1 chs 1 20 edition 13 paperback - Feb 06 2023

web jan 12 2011 university physics with modern physics volume 1 chapters 1 20 only 13 e continues to set the benchmark for clarity and rigor combined with effective teaching and research based innovation university physics is known for its

uniquely broad deep and thoughtful set of worked examples key tools for developing both physical

university physics with modern physics volume 1 13th edition - Nov 03 2022

web now with expert verified solutions from university physics with modern physics volume 1 13th edition you ll learn how to solve your toughest homework problems our resource for university physics with modern physics volume 1 includes answers to chapter exercises as well as detailed information to walk you through the process step by step

[openstax](#) - Jul 11 2023

web openstax

university physics young hugh d author archive org - Jun 10 2023

web english 1 volume various pagings 28 cm taken from university physics with modern physics technology update thirteenth edition by hugh d young roger a freedman and contributing author a lewis ford includes index

[physica cloud](#) - Dec 04 2022

web physica cloud

student solutions manual sears zemansky s university physics 13th - Sep 01 2022

web student solutions manual sears zemansky s university physics 13th edition by ford a lewis albert lewis publication date 2012 topics physics problems exercises etc physics publisher san francisco ca pearson collection inlibrary printdisabled internetarchivebooks contributor internet archive language english volume 1

university physics volume 1 chs 1 20 13th edition - Jan 05 2023

web dec 29 2010 university physics volume 1 chs 1 20 13th edition paperback illustrated dec 29 2010 by hugh d young author roger a freedman author 4 1 4 1 out of 5 stars 67 ratings

university physics volume 1 chs 1 20 13th edition young - Jun 29 2022

web university physics with modern physics thirteenth edition continues to set the benchmark for clarity and rigor combined with effective teaching and research based innovation university physics is known for its uniquely broad deep and thoughtful set of worked examples key tools for developing both physical understanding and problem

[university physics 13th edition 13th edition amazon com](#) - Apr 08 2023

web jan 8 2011 the thirteenth edition revises all the examples and problem solving strategies to be more concise and direct while maintaining the twelfth edition s consistent structured approach and strong focus on modeling as well as math

general certificate of secondary education unit a501 02 - Oct 03 2022

web a501 02 mark scheme november 2013 2 subject specific marking instructions 1 m marks are for using a correct method and are not lost for purely numerical errors a

[gcse maths 9 1 j560 ocr](#) - Aug 13 2023

web mark scheme unit a502 02 mathematics b higher tier june a502 02 pdf 351kb mark scheme unit a503 01 mathematics c foundation tier june a503 01 pdf

ocr gcse maths past papers revision maths - Oct 15 2023

web you can download the ocr gcse maths past papers and marking schemes by clicking on the links below ocr maths gcse 9 1 june 2022 mathematics j560 ocr maths

[mark scheme for march 2013 ocr](#) - Jul 12 2023

web mark scheme for gcse mathematics b linear general certificate of secondary education component j567 03 mathematics paper 3 higher march 2013 ocr

general certificate of secondary education unit a502 02 ocr - Mar 08 2023

web unit a502 02 mathematics b higher tier mark scheme for november 2013 oxford cambridge and rsa examinations ocr oxford cambridge and rsa is a leading uk

general certificate of secondary education unit a501 02 ocr - May 10 2023

web unit a501 02 mathematics a higher tier mark scheme for january 2013 oxford cambridge and rsa examinations ocr oxford cambridge and rsa is a leading uk

general certificate of secondary education component j567 02 - Feb 07 2023

web this mark scheme is published as an aid to teachers and students to indicate the requirements of the examination it shows the basis on which marks were awarded by

download solutions ocr maths february 2013 higher mark scheme - Apr 28 2022

web handbook of high frequency trading jul 03 2021 this comprehensive examination of high frequency trading looks beyond mathematical models which are the subject of

ocr maths february 2013 higher mark scheme - Apr 09 2023

web ocr maths february 2013 higher mark scheme if you want to hilarious novels lots of stories legend comedy and more fictions collections are also commenced from best

mark scheme for march 2013 pmt - Jan 26 2022

web j567 02 mark scheme march 2013 4 subject specific marking instructions 1 m marks are for using a correct method and are not lost for purely numerical errors a marks are

[ocr maths february 2013 higher mark scheme pdf kelliemay](#) - Mar 28 2022

web dec 18 2022 ocr maths february 2013 higher mark scheme 2 11 downloaded from kelliemay com on december 18 2022 by guest content of the 2017 specification into

[ocr maths february 2013 higher mark scheme pdf](#) - Feb 24 2022

web enter the realm of ocr maths february 2013 higher mark scheme a mesmerizing literary masterpiece penned with a distinguished author guiding readers on a profound

ocr maths february 2013 higher mark scheme pdf - Nov 04 2022

web gcse mathematics for ocr foundation student book 2012 gcse english results reforming juvenile justice the civil rights road to deeper learning ocr maths

mark scheme for november 2013 ocr - Jun 30 2022

web ocr 2013 annotations subject specific marking instructions m marks are for using a correct method and are not lost for purely numerical errors marks are for an accurate

mark scheme for november 2013 revision maths - Aug 01 2022

web mark scheme for gcse mathematics b linear general certificate of secondary education componentj567 04 mathematics paper 4 higher november 2013 ocr

general certificate of secondary education unit a502 02 - Sep 02 2022

web unit a502 02 mathematics b higher tier june 2013 ocr oxford cambridge and rsa is a leading uk awarding body providing a wide range of qualifications to meet the

mark scheme for march 2013 physics maths tutor - Nov 23 2021

web j567 04 mark scheme march 2013 2 subject specific marking instructions 1 m marks are for using a correct method and are not lost for purely numerical errors a marks are

general certificate of secondary education unit a503 02 - Dec 05 2022

web a503 02 mark scheme january 2013 2 subject specific marking instructions 1 m marks are for using a correct method and are not lost for purely numerical errors a marks are

ocr maths february 2013 higher mark scheme pdf salters - May 30 2022

web may 14 2023 ocr maths february 2013 higher mark scheme pdf is easy to use in our digital library an online right of entry to it is set as public therefore you can download it

general certificate of secondary education unit a502 02 - Dec 25 2021

web a502 02 mark scheme january 2013 2 subject specific marking instructions 1 m marks are for using a correct method and are not lost for purely numerical errors a marks are

past papers materials finder ocr - Sep 14 2023

web find past papers and mark schemes find past papers mark schemes examiner reports and practice materials to help you prepare for exams choose a subject to get started

mark scheme for march 2013 ocr - Jun 11 2023

web j567 04 mark scheme march 2013 2 subject specific marking instructions 1 m marks are for using a correct method and are not lost for purely numerical errors a marks are for

general certificate of secondary education unit a503 02 - Jan 06 2023

web a503 02 mark scheme november 2013 2 subject specific marking instructions 1 m marks are for using a correct method and are not lost for purely numerical errors a

kroniki akaszy zrozumieĆ swoje Życie tajemnice - May 23 2022

web spotkanie online trwało prawie półtorej godziny przede wszystkich zostałem poinformowany czym są kroniki akaszy i co z ich pomocą mogę się dowiedzieć maria

kroniki akaszy czym są ile jest procent prawdy w kłamstwie - Aug 26 2022

web oct 14 2023 weronika pole poznania jak czytać kroniki akaszy jak odróżnić swój umysł od przekazu z kronik akaszy pułapki ego i jak z nimi pracować jak wejść do

kroniki akaszy co to jest za metoda o co w niej chodzi - Mar 01 2023

web można nazywać ją księgą Życia lub kosmicznym umysłem dowiedz się więcej

kroniki akaszy czym są i jak z nimi pracować elle pl - Sep 07 2023

web kroniki akaszy to wymiar świadomości zawierający informacje o każdej duszy i jej podróży w formie wibracyjnego zapisu to pierwsza faza krystalizacji ducha ten wymiar

kroniki akaszy czym są i jak je wykorzystać dla - Oct 08 2023

web mar 10 2020 kroniki akaszy to energetyczny odcisk każdej myśli działania emocji i doświadczenia które kiedykolwiek pojawiły się w czasie i przestrzeni można je również

informacja plynaca z pola punktu zerowego akaszy apple books - Feb 17 2022

kroniki akaszy akashic vibe integrity czym jest kronika akaszy - Jun 04 2023

web czym są kroniki akaszy kroniki akaszy są trwałym zapisem wszystkiego co się dzieje i co się kiedykolwiek wydarzyło w przestrzeni i czasie są również źródłem wiedzy

jak czytać kroniki akaszy ego vs intuicja youtube - Mar 21 2022

web czekam na twoje pytania kroniki akaszy razem z magdaleną n wierzchowiecką odpowiemy podczas live na wszystkie wasze pytania dotyczące kronik akaszy

opinie klientów kroniki akaszy - Dec 18 2021

kroniki akaszy cz 1 full video youtube - Oct 28 2022

web may 15 2017 księgi mistyków i nie tylko kroniki akaszy to zbiór ksiąg z których każda zawierają opis całego życia jednostki znane były od tysiącleci w wielu kulturach i

kroniki akaszy dla laika youtube - Jan 19 2022

certyfikowany kurs online kroniki akaszy akashic vibe integrity - Jun 23 2022

web kroniki akaszy dla laika w tym odcinku postaram się przybliżyć ci temat kronik akaszy co to takiego jest czy to jest bezpieczne jak przygotować się do sesji

przesłanie z akaszy odczyt z kronik akaszy - Apr 21 2022

web kronika akaszy 4 088 likes 1 talking about this strona wszystkich miłośników pracy z kronikami akaszy wg metody akashic records one true love kr

kroniki akaszy jesteś cudem ciało umysł dusza - Dec 30 2022

web jan 1 2016 kroniki akaszy gabrielle orr 3 50 2 ratings 0 reviews znajdź odpowiedzi na swoje życiowe pytania kroniki akaszy sa źródłem wiedzy madrosci i bezwarunkowej

jakie pytania zadawać kronikom akaszy akasha element - May 03 2023

web nazwę kroniki akaszy znałam od bardzo dawna niegdyś były dla mnie czymś magicznym nieosiągalnym głęboko w sobie odczuwałam ogromną intuicję i empatię dlatego

jak wygląda i na czym polega odczyt z kronik akaszy - Aug 06 2023

web zadając pytania kronikom akaszy możesz poruszyć dosłownie każdy temat który jest dla ciebie istotny optymalne formułowanie pytań jest kluczem do uzyskania

kroniki akaszy olga n stępińska - Jan 31 2023

web jun 2 2021 osoba która chodź raz połączyła się z kronikami akaszy łączy ją kontrakt z tymi historyjkami dotyczącymi świata powstania wszechświata wcieleń stwórcy i tak

kroniki akaszy czyli jak połączyć się z eterem - Apr 02 2023

web aug 17 2019 pytania o wygrane w lotto kroniki akaszy z perspektywy osoby klienta która wielokrotnie doświadczyła pracy z nimi wpływ kronik akaszy na stany

kroniki akaszy polish edition by gabrielle orr goodreads - Jul 25 2022

web oct 10 2023 sekret kroniki akaszy to rodzaj wiedzy calego jestestwa ludzkosci niezależnie od czasu jego istnienia zapisanej w zbiorowej swiadomosci odnalezc tam

kroniki akaszy jak wejść do wiecznego tworu jedności - Jul 05 2023

web przez lata otrzymuję sporo pytań o kroniki akaszy co to jest za metoda o co w niej chodzi w tym miejscu powiem trochę

na ten temat kroniki akaszy jest to świadoma

kroniki akaszy odczyty akasha element - Nov 28 2022

web kroniki akaszy są wymiarem świadomości na poziomie którego istnieje informacja o wszystkim co już się wydarzyło i co mogłoby się wydarzyć to historia każdej jednostki

kroniki akaszy q a szkoła numerologii live z gościem - Oct 16 2021

kronika akaszy facebook - Nov 16 2021

kroniki akaszy szkoła numerologii by olga n stępińska - Sep 26 2022

web kroniki akaszy to miejsce w przestrzeni istnienia w którym zapisane są wszelkie myśli i uczynki ludzi żyjących na tym świecie każdy ma do nich dostęp ludzie łączą się z