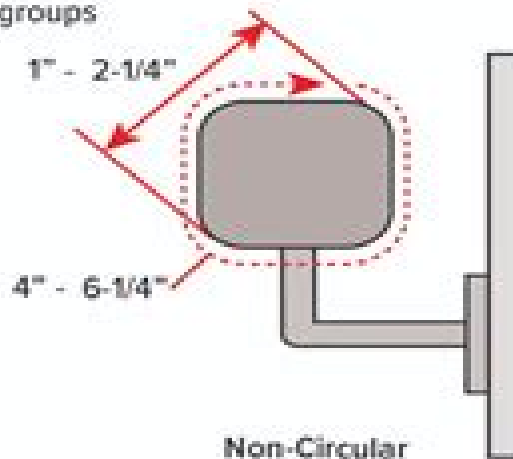
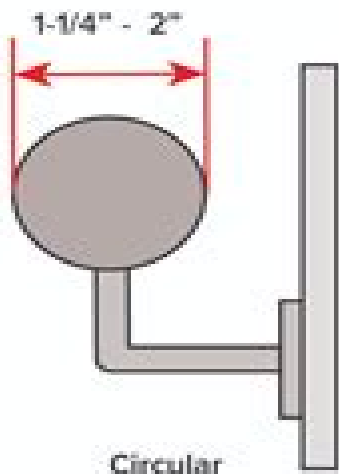


Handrail Profiles

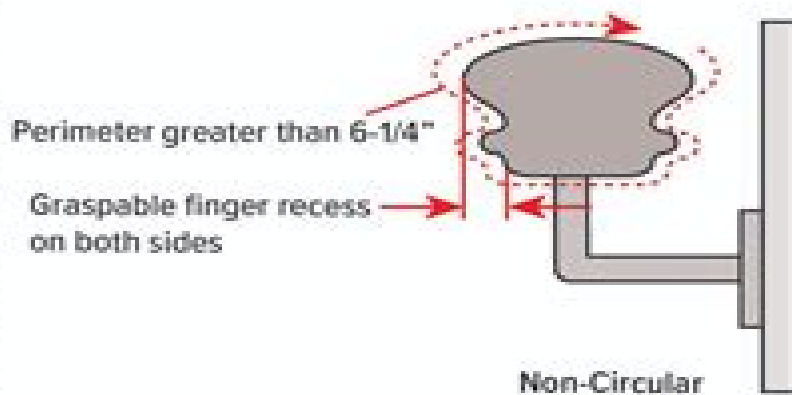
Type I

Permitted in all occupancy groups



Type II

Permitted in specific residential, utility, and miscellaneous occupancy groups



Ibc Manual For Handrails

LL Leslie



Ibc Manual For Handrails:

Discover tales of courage and bravery in Explore Bravery with is empowering ebook, **Ibc Manual For Handrails** . In a downloadable PDF format (PDF Size: *), this collection inspires and motivates. Download now to witness the indomitable spirit of those who dared to be brave.

<https://staging.conocer.cide.edu/About/scholarship/HomePages/Foundations%20Of%20Computer%20Science%20Computer%20Software%20Engineering%20Series.pdf>

Table of Contents Ibc Manual For Handrails

1. Understanding the eBook Ibc Manual For Handrails
 - The Rise of Digital Reading Ibc Manual For Handrails
 - Advantages of eBooks Over Traditional Books
2. Identifying Ibc Manual For Handrails
 - Exploring Different Genres
 - Considering Fiction vs. Non-Fiction
 - Determining Your Reading Goals
3. Choosing the Right eBook Platform
 - Popular eBook Platforms
 - Features to Look for in an Ibc Manual For Handrails
 - User-Friendly Interface
4. Exploring eBook Recommendations from Ibc Manual For Handrails
 - Personalized Recommendations
 - Ibc Manual For Handrails User Reviews and Ratings
 - Ibc Manual For Handrails and Bestseller Lists
5. Accessing Ibc Manual For Handrails Free and Paid eBooks
 - Ibc Manual For Handrails Public Domain eBooks
 - Ibc Manual For Handrails eBook Subscription Services
 - Ibc Manual For Handrails Budget-Friendly Options

6. Navigating Ibc Manual For Handrails eBook Formats
 - ePub, PDF, MOBI, and More
 - Ibc Manual For Handrails Compatibility with Devices
 - Ibc Manual For Handrails Enhanced eBook Features
7. Enhancing Your Reading Experience
 - Adjustable Fonts and Text Sizes of Ibc Manual For Handrails
 - Highlighting and Note-Taking Ibc Manual For Handrails
 - Interactive Elements Ibc Manual For Handrails
8. Staying Engaged with Ibc Manual For Handrails
 - Joining Online Reading Communities
 - Participating in Virtual Book Clubs
 - Following Authors and Publishers Ibc Manual For Handrails
9. Balancing eBooks and Physical Books Ibc Manual For Handrails
 - Benefits of a Digital Library
 - Creating a Diverse Reading Collection Ibc Manual For Handrails
10. Overcoming Reading Challenges
 - Dealing with Digital Eye Strain
 - Minimizing Distractions
 - Managing Screen Time
11. Cultivating a Reading Routine Ibc Manual For Handrails
 - Setting Reading Goals Ibc Manual For Handrails
 - Carving Out Dedicated Reading Time
12. Sourcing Reliable Information of Ibc Manual For Handrails
 - Fact-Checking eBook Content of Ibc Manual For Handrails
 - Distinguishing Credible Sources
13. Promoting Lifelong Learning
 - Utilizing eBooks for Skill Development
 - Exploring Educational eBooks
14. Embracing eBook Trends
 - Integration of Multimedia Elements

- Interactive and Gamified eBooks

Ibc Manual For Handrails Introduction

Free PDF Books and Manuals for Download: Unlocking Knowledge at Your Fingertips In today's fast-paced digital age, obtaining valuable knowledge has become easier than ever. Thanks to the internet, a vast array of books and manuals are now available for free download in PDF format. Whether you are a student, professional, or simply an avid reader, this treasure trove of downloadable resources offers a wealth of information, conveniently accessible anytime, anywhere. The advent of online libraries and platforms dedicated to sharing knowledge has revolutionized the way we consume information. No longer confined to physical libraries or bookstores, readers can now access an extensive collection of digital books and manuals with just a few clicks. These resources, available in PDF, Microsoft Word, and PowerPoint formats, cater to a wide range of interests, including literature, technology, science, history, and much more. One notable platform where you can explore and download free Ibc Manual For Handrails PDF books and manuals is the internet's largest free library. Hosted online, this catalog compiles a vast assortment of documents, making it a veritable goldmine of knowledge. With its easy-to-use website interface and customizable PDF generator, this platform offers a user-friendly experience, allowing individuals to effortlessly navigate and access the information they seek. The availability of free PDF books and manuals on this platform demonstrates its commitment to democratizing education and empowering individuals with the tools needed to succeed in their chosen fields. It allows anyone, regardless of their background or financial limitations, to expand their horizons and gain insights from experts in various disciplines. One of the most significant advantages of downloading PDF books and manuals lies in their portability. Unlike physical copies, digital books can be stored and carried on a single device, such as a tablet or smartphone, saving valuable space and weight. This convenience makes it possible for readers to have their entire library at their fingertips, whether they are commuting, traveling, or simply enjoying a lazy afternoon at home. Additionally, digital files are easily searchable, enabling readers to locate specific information within seconds. With a few keystrokes, users can search for keywords, topics, or phrases, making research and finding relevant information a breeze. This efficiency saves time and effort, streamlining the learning process and allowing individuals to focus on extracting the information they need. Furthermore, the availability of free PDF books and manuals fosters a culture of continuous learning. By removing financial barriers, more people can access educational resources and pursue lifelong learning, contributing to personal growth and professional development. This democratization of knowledge promotes intellectual curiosity and empowers individuals to become lifelong learners, promoting progress and innovation in various fields. It is worth noting that while accessing free Ibc Manual For Handrails PDF books and manuals is convenient and cost-effective, it is vital to respect copyright laws and intellectual property rights. Platforms offering free downloads often operate within legal boundaries,

ensuring that the materials they provide are either in the public domain or authorized for distribution. By adhering to copyright laws, users can enjoy the benefits of free access to knowledge while supporting the authors and publishers who make these resources available. In conclusion, the availability of Ibc Manual For Handrails free PDF books and manuals for download has revolutionized the way we access and consume knowledge. With just a few clicks, individuals can explore a vast collection of resources across different disciplines, all free of charge. This accessibility empowers individuals to become lifelong learners, contributing to personal growth, professional development, and the advancement of society as a whole. So why not unlock a world of knowledge today? Start exploring the vast sea of free PDF books and manuals waiting to be discovered right at your fingertips.

FAQs About Ibc Manual For Handrails Books

How do I know which eBook platform is the best for me? Finding the best eBook platform depends on your reading preferences and device compatibility. Research different platforms, read user reviews, and explore their features before making a choice. Are free eBooks of good quality? Yes, many reputable platforms offer high-quality free eBooks, including classics and public domain works. However, make sure to verify the source to ensure the eBook credibility. Can I read eBooks without an eReader? Absolutely! Most eBook platforms offer web-based readers or mobile apps that allow you to read eBooks on your computer, tablet, or smartphone. How do I avoid digital eye strain while reading eBooks? To prevent digital eye strain, take regular breaks, adjust the font size and background color, and ensure proper lighting while reading eBooks. What the advantage of interactive eBooks? Interactive eBooks incorporate multimedia elements, quizzes, and activities, enhancing the reader engagement and providing a more immersive learning experience. Ibc Manual For Handrails is one of the best book in our library for free trial. We provide copy of Ibc Manual For Handrails in digital format, so the resources that you find are reliable. There are also many Ebooks of related with Ibc Manual For Handrails. Where to download Ibc Manual For Handrails online for free? Are you looking for Ibc Manual For Handrails PDF? This is definitely going to save you time and cash in something you should think about.

Find Ibc Manual For Handrails :

foundations of computer science computer software engineering series

foundations of marketing text >free<

forgotten sky a guide to astrology in english literature

[forked tongue the politics of bilingual education](#)

[fort davis outpost on the texas frontier](#)

foundation pieced nature quilts

[fortunes hunter second chance at love no 363](#)

fortunes of german writers in america

[forward presence and us security policy](#)

[foundations and changing practices in extension](#)

[fortran codes for mathematical programming linear quadratic and discrete](#)

formula one racing for dummies uk edition

fortress introduction to contemporary theologies

[foundations of genetic algorithms 1999 foga 5](#)

foundations for osteopathic medicine

Ibc Manual For Handrails :

JOHN DEERE F725 FRONT MOWER Service Repair ... Feb 4, 2019 — Read JOHN DEERE F725 FRONT MOWER Service Repair Manual by 163114103 on Issuu and browse thousands of other publications on our platform. JOHN DEERE F725 FRONT MOWER Service Repair ... Feb 4, 2019 — Read JOHN DEERE F725 FRONT MOWER Service Repair Manual by 163114103 on Issuu and browse thousands of other publications on our platform. John Deere F710 F725 Front Mower Technical Manual JD ... John Deere F710 F725 Front Mower Technical Manual. The publication # is TM1493. Service manuals give instructions on how to disassemble and reassemble ... John Deere F710, F725 Front Mower Service Manual ... Service Manuals are concise service guides for a specific machine and are on-the-job guides containing only the vital information needed by a technician. This ... John Deere F710 F725 Front Mower Technical Manual ... John Deere F710 F725 Front Mower Technical Manual See Description ; Quantity. 21 sold. 1 available ; Item Number. 195564811145 ; Accurate description. 5.0. Quick Reference Guides | Parts & Services | John Deere US Keep track of common maintenance part numbers, service intervals, and capacities for your John Deere residential equipment. Operator's Manual. You operate the ... John Deere F710 F725 Front Mower Tractor Technical ... John Deere F710 F725 Front Mower Tractor Technical Master Repair Service Manual ; Item Number. 233350872671 ; Brand. Master ; Compatible Equipment Type. Tractor ... John Deere F710 And F725 Front Mowers Technical Manual Technical Manuals are concise guides for specific machines. They are on-the-job guides containing only the vital information needed for diagnosis, analysis, ... John Deere F710, F725 Front Mower Manual TM1493 Sep 17, 2022 - This is an Original John Deere Service And Repair Manual Which Contains High Quality

Images, Circuit Diagrams and ... John Deere F710 and F725 Front Mowers Technical ... THIS WORKSHOP SERVICE REPAIR MANUAL GIVES ADVICE ON HOW TO DISMANTLE,REPAIR OR REPLACE VARIOUS COMPONENTSINCLUDES ILLUSTRATIONS AND DIAGRAMS TO. Service Manual for Ford 550 555 Tractor Loader Backhoe ... Amazon.com: Service Manual for Ford 550 555 Tractor Loader Backhoe Repair Technical Shop Book : Patio, Lawn & Garden. Service Manual For Ford 455D 555D 575D 655D 675D ... Service / Repair / Overhaul Manual. Ford / New Holland Tractor Loader Backhoes. Complete Manual, Covers all Components. This comprehensive manual includes. See ... Ford 555 d backhoe loader service repair manual | PDF Aug 22, 2020 — Ford 555 d backhoe loader service repair manual - Download as a PDF or view online for free. ford 555D service manual Search 555D ; service manual ; sold in NA (North America). Buy by the section, hard copy, .pdf download, DVD, whatever. Factory repair manuals can't be beat. ford 455d 555d 575d 655d 675d tractor loader backhoe ... Ford Tractor Loader Backhoes Models: 455D 555D 575D 655D 675D Tractor Service / Repair / Overhaul Manual Complete Manual, Covers all Components This ... Ford 455D, 555D, 575D, 655D, 675D Backhoe Latest edition. This repair manual provides information for the proper service and overhaul of Ford 455D, 555D, 575D, 655D and 675D tractor loader/backhoe ... Ford 555D Tractor Loader Backhoe Service Manual (3 & 4 ... This is the best manual for repairing your Tractor Loader Backhoe. The Service Manual saves you time, money, frustration, and bloody knuckles. Get the job done ... FORD 455D 555D 575D 655D 675D BACKHOES Service ... FORD 455D 555D 575D 655D 675D BACKHOES Service Repair manual pdf Download. sameDAYmanuals. 4 out of 5 stars. You can only make an offer when buying a single ... Ford 555 Tractor Loader Backhoe Service Manual It contains 672 pages of critical technical information and instruction for your Tractor Loader Backhoe. Written in the language of a mechanic, it was ... Ford 455D, 555D, 575D, 655D, 675D Backhoe Loader ... This Service Manual for the Ford 455D, 555D, 575D, 655D, 675D Backhoe Loader provides general directions for accomplishing service and repair work with tested, ... solutions to exercises This manual, Solutions to Exercises in Chemistry: The Central Science, 12th edition, was written to enhance the end-of-chapter exercises by providing ... Chemistry the Central Science: Solutions To Exercises Full solutions to all end-of-chapter exercises in the text are provided. With an instructor's permission, this manual may be made available to students. Solutions To Exercises For Chemistry The Central Science ... Solutions To Exercises For Chemistry The Central Science 12th Edition PDF · Uploaded by · Document Information · Share this document · Sharing Options · Copyright:. Solutions to exercises [for] Chemistry : the central science, ... This manual was written to enhance the end-of-chapter exercises by providing documented solutions. The manual assists the instructor by saving time spent ... Solutions Manual to Exercises for Chemistry: The Central ... Buy Solutions Manual to Exercises for Chemistry: The Central Science on Amazon.com ☐ FREE SHIPPING on qualified orders. Solutions to Black Exercises, The Central Science, 11th ... Solutions to Black Exercises, The Central Science, 11th Edition, by Theodore L. Brown, H. Chemistry: The Central Science - 14th Edition - Solutions ... Find step-by-step solutions and answers to Chemistry: The

Central Science ... solutions manuals or printing out PDFs! Now, with expert-verified solutions ... Solutions Manual to Exercises for Chemistry: The Central Solutions Manual to Exercises for Chemistry: The Central Science. ... 1. Solutions Manual to Exercises for Chemistry: The Central Science. 0 ratings by Goodreads ... Solutions Manual to Exercises for Chemistry: The Central ... Solutions Manual to Exercises for Chemistry: The Central Science. by Brown, Theodore. List Price: \$84.20; ISBN-10: 0134552245; ISBN-13: 9780134552248. Solutions Manual for Chemistry The Central Science 12th ... Feb 23, 2019 — Solutions Manual for Chemistry The Central Science 12th Edition by Brown Full Download: ...