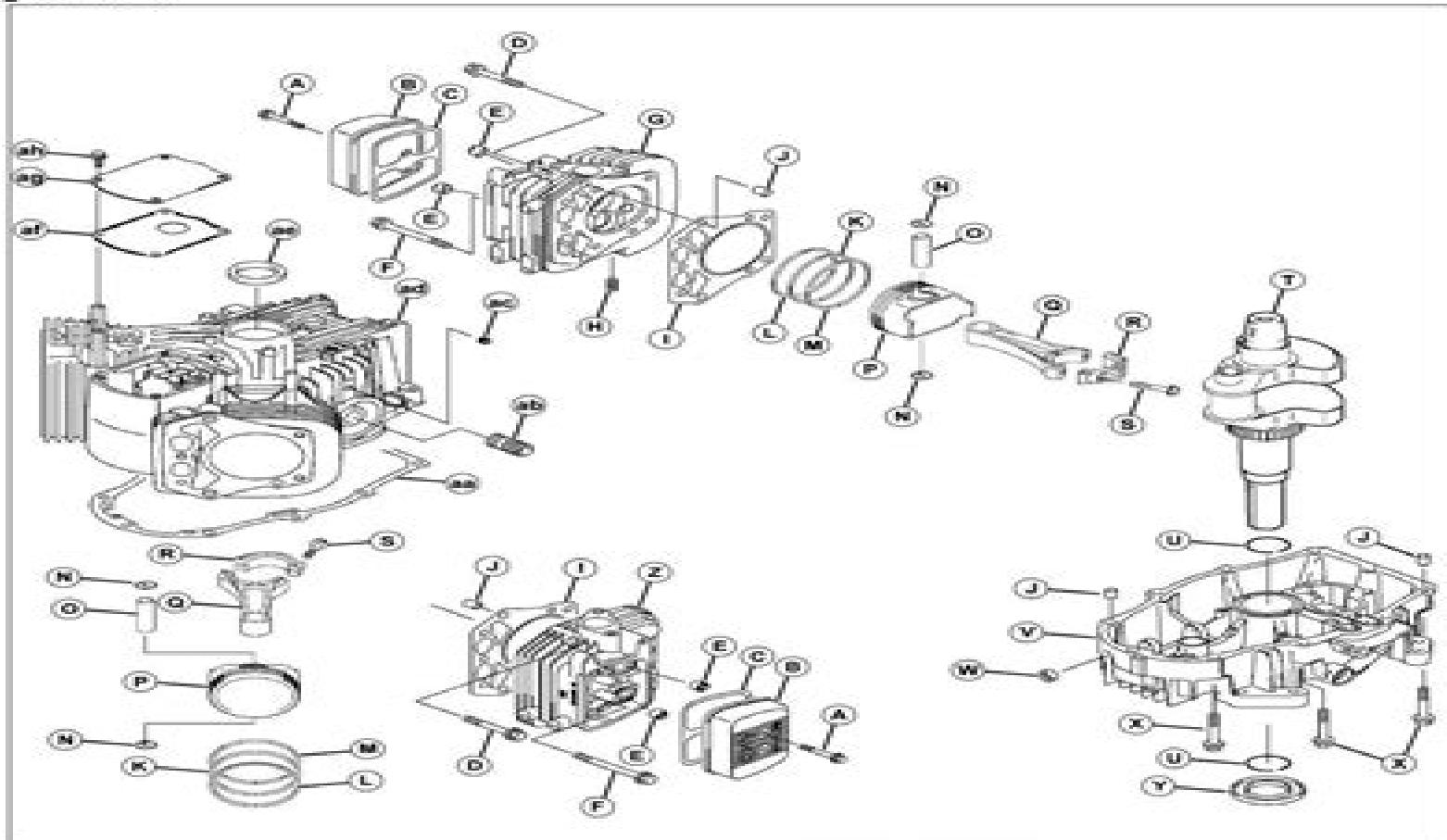


ENGINE - KAWASAKI (FH491V) COMPONENT LOCATION

Engine Block



MX39857

- A- Cap Screw M6x12 (4 used)
- B- Valve Cover
- C- Gasket
- D- Bolt (17 used)
- E- Seal
- F- Bolt (2 used)
- G- Cylinder Head No. 1
- H- Stud (4 used)
- I- Head Gasket
- J- Pin (5 used)

- K- Piston Ring, Compression
- L- Piston Ring, Chrome Compression
- M- Piston Ring, Oil Ring Assembly
- N- Snap Ring
- O- Piston Pin
- P- Piston
- Q- Connecting Rod
- R- Connecting Rod Cap
- S- Cap Screw M6x30
- T- Crankshaft
- U- Clip

Kawasaki Fh491v Manual

N Colangelo



Kawasaki Fh491v Manual:

As recognized, adventure as without difficulty as experience very nearly lesson, amusement, as capably as contract can be gotten by just checking out a book **Kawasaki Fh491v Manual** after that it is not directly done, you could take even more approximately this life, as regards the world.

We manage to pay for you this proper as skillfully as easy quirk to acquire those all. We find the money for Kawasaki Fh491v Manual and numerous books collections from fictions to scientific research in any way. in the middle of them is this Kawasaki Fh491v Manual that can be your partner.

<https://staging.conocer.cide.edu/public/scholarship/default.aspx/home%20letters%20te%20lawrence%20brothers.pdf>

Table of Contents Kawasaki Fh491v Manual

1. Understanding the eBook Kawasaki Fh491v Manual
 - The Rise of Digital Reading Kawasaki Fh491v Manual
 - Advantages of eBooks Over Traditional Books
2. Identifying Kawasaki Fh491v Manual
 - Exploring Different Genres
 - Considering Fiction vs. Non-Fiction
 - Determining Your Reading Goals
3. Choosing the Right eBook Platform
 - Popular eBook Platforms
 - Features to Look for in an Kawasaki Fh491v Manual
 - User-Friendly Interface
4. Exploring eBook Recommendations from Kawasaki Fh491v Manual
 - Personalized Recommendations
 - Kawasaki Fh491v Manual User Reviews and Ratings
 - Kawasaki Fh491v Manual and Bestseller Lists
5. Accessing Kawasaki Fh491v Manual Free and Paid eBooks

- Kawasaki Fh491v Manual Public Domain eBooks
 - Kawasaki Fh491v Manual eBook Subscription Services
 - Kawasaki Fh491v Manual Budget-Friendly Options
6. Navigating Kawasaki Fh491v Manual eBook Formats
- ePub, PDF, MOBI, and More
 - Kawasaki Fh491v Manual Compatibility with Devices
 - Kawasaki Fh491v Manual Enhanced eBook Features
7. Enhancing Your Reading Experience
- Adjustable Fonts and Text Sizes of Kawasaki Fh491v Manual
 - Highlighting and Note-Taking Kawasaki Fh491v Manual
 - Interactive Elements Kawasaki Fh491v Manual
8. Staying Engaged with Kawasaki Fh491v Manual
- Joining Online Reading Communities
 - Participating in Virtual Book Clubs
 - Following Authors and Publishers Kawasaki Fh491v Manual
9. Balancing eBooks and Physical Books Kawasaki Fh491v Manual
- Benefits of a Digital Library
 - Creating a Diverse Reading Collection Kawasaki Fh491v Manual
10. Overcoming Reading Challenges
- Dealing with Digital Eye Strain
 - Minimizing Distractions
 - Managing Screen Time
11. Cultivating a Reading Routine Kawasaki Fh491v Manual
- Setting Reading Goals Kawasaki Fh491v Manual
 - Carving Out Dedicated Reading Time
12. Sourcing Reliable Information of Kawasaki Fh491v Manual
- Fact-Checking eBook Content of Kawasaki Fh491v Manual
 - Distinguishing Credible Sources
13. Promoting Lifelong Learning
- Utilizing eBooks for Skill Development

- Exploring Educational eBooks
14. Embracing eBook Trends
- Integration of Multimedia Elements
 - Interactive and Gamified eBooks

Kawasaki Fh491v Manual Introduction

In the digital age, access to information has become easier than ever before. The ability to download Kawasaki Fh491v Manual has revolutionized the way we consume written content. Whether you are a student looking for course material, an avid reader searching for your next favorite book, or a professional seeking research papers, the option to download Kawasaki Fh491v Manual has opened up a world of possibilities. Downloading Kawasaki Fh491v Manual provides numerous advantages over physical copies of books and documents. Firstly, it is incredibly convenient. Gone are the days of carrying around heavy textbooks or bulky folders filled with papers. With the click of a button, you can gain immediate access to valuable resources on any device. This convenience allows for efficient studying, researching, and reading on the go. Moreover, the cost-effective nature of downloading Kawasaki Fh491v Manual has democratized knowledge. Traditional books and academic journals can be expensive, making it difficult for individuals with limited financial resources to access information. By offering free PDF downloads, publishers and authors are enabling a wider audience to benefit from their work. This inclusivity promotes equal opportunities for learning and personal growth. There are numerous websites and platforms where individuals can download Kawasaki Fh491v Manual. These websites range from academic databases offering research papers and journals to online libraries with an expansive collection of books from various genres. Many authors and publishers also upload their work to specific websites, granting readers access to their content without any charge. These platforms not only provide access to existing literature but also serve as an excellent platform for undiscovered authors to share their work with the world. However, it is essential to be cautious while downloading Kawasaki Fh491v Manual. Some websites may offer pirated or illegally obtained copies of copyrighted material. Engaging in such activities not only violates copyright laws but also undermines the efforts of authors, publishers, and researchers. To ensure ethical downloading, it is advisable to utilize reputable websites that prioritize the legal distribution of content. When downloading Kawasaki Fh491v Manual, users should also consider the potential security risks associated with online platforms. Malicious actors may exploit vulnerabilities in unprotected websites to distribute malware or steal personal information. To protect themselves, individuals should ensure their devices have reliable antivirus software installed and validate the legitimacy of the websites they are downloading from. In conclusion, the ability to download Kawasaki Fh491v Manual has transformed the way we access information. With the convenience, cost-effectiveness, and accessibility it offers,

free PDF downloads have become a popular choice for students, researchers, and book lovers worldwide. However, it is crucial to engage in ethical downloading practices and prioritize personal security when utilizing online platforms. By doing so, individuals can make the most of the vast array of free PDF resources available and embark on a journey of continuous learning and intellectual growth.

FAQs About Kawasaki Fh491v Manual Books

How do I know which eBook platform is the best for me? Finding the best eBook platform depends on your reading preferences and device compatibility. Research different platforms, read user reviews, and explore their features before making a choice. Are free eBooks of good quality? Yes, many reputable platforms offer high-quality free eBooks, including classics and public domain works. However, make sure to verify the source to ensure the eBook credibility. Can I read eBooks without an eReader? Absolutely! Most eBook platforms offer webbased readers or mobile apps that allow you to read eBooks on your computer, tablet, or smartphone. How do I avoid digital eye strain while reading eBooks? To prevent digital eye strain, take regular breaks, adjust the font size and background color, and ensure proper lighting while reading eBooks. What the advantage of interactive eBooks? Interactive eBooks incorporate multimedia elements, quizzes, and activities, enhancing the reader engagement and providing a more immersive learning experience. Kawasaki Fh491v Manual is one of the best book in our library for free trial. We provide copy of Kawasaki Fh491v Manual in digital format, so the resources that you find are reliable. There are also many Ebooks of related with Kawasaki Fh491v Manual. Where to download Kawasaki Fh491v Manual online for free? Are you looking for Kawasaki Fh491v Manual PDF? This is definitely going to save you time and cash in something you should think about. If you trying to find then search around for online. Without a doubt there are numerous these available and many of them have the freedom. However without doubt you receive whatever you purchase. An alternate way to get ideas is always to check another Kawasaki Fh491v Manual. This method for see exactly what may be included and adopt these ideas to your book. This site will almost certainly help you save time and effort, money and stress. If you are looking for free books then you really should consider finding to assist you try this. Several of Kawasaki Fh491v Manual are for sale to free while some are payable. If you arent sure if the books you would like to download works with for usage along with your computer, it is possible to download free trials. The free guides make it easy for someone to free access online library for download books to your device. You can get free download on free trial for lots of books categories. Our library is the biggest of these that have literally hundreds of thousands of different products categories represented. You will also see that there are specific sites catered to different product types or categories, brands or niches related with Kawasaki Fh491v Manual. So depending on what exactly you are searching, you will be able to choose e books to

suit your own need. Need to access completely for Campbell Biology Seventh Edition book? Access Ebook without any digging. And by having access to our ebook online or by storing it on your computer, you have convenient answers with Kawasaki Fh491v Manual To get started finding Kawasaki Fh491v Manual, you are right to find our website which has a comprehensive collection of books online. Our library is the biggest of these that have literally hundreds of thousands of different products represented. You will also see that there are specific sites catered to different categories or niches related with Kawasaki Fh491v Manual So depending on what exactly you are searching, you will be able to choose ebook to suit your own need. Thank you for reading Kawasaki Fh491v Manual. Maybe you have knowledge that, people have search numerous times for their favorite readings like this Kawasaki Fh491v Manual, but end up in harmful downloads. Rather than reading a good book with a cup of coffee in the afternoon, instead they juggled with some harmful bugs inside their laptop. Kawasaki Fh491v Manual is available in our book collection an online access to it is set as public so you can download it instantly. Our digital library spans in multiple locations, allowing you to get the most less latency time to download any of our books like this one. Merely said, Kawasaki Fh491v Manual is universally compatible with any devices to read.

Find Kawasaki Fh491v Manual :

home letters te lawrence brothers

[home health massage](#)

home to strathblane signed

[home with a heart](#)

homeowners guide to fireplaces successful home improvement series

homelessness a sourcebook

home for foundlings

~~honda cb350 400 fours performance portfolio 19721978 performance portfolio series~~

~~home front in world war ii~~

homosexuality what are the issues get the facts series

homeopathic practice in childhood disorders

~~homework contracts intro bk new ed~~

[home in honduras](#)

homeroom exercise

~~home sweet home school a survivors guide to giving your kids a quality education~~

Kawasaki Fh491v Manual :

natural science grade 9 september memorandum 2013 copy - Sep 04 2022

web jun 3 2023 grade 9 september memorandum 2013 and numerous ebook collections from fictions to scientific research in any way along with them is this natural science grade 9 september memorandum 2013 that can be your partner

[natural science grade 9 september memorandum 2013 pdf](#) - Aug 03 2022

web apr 1 2023 you may not be perplexed to enjoy every book collections natural science grade 9 september memorandum 2013 that we will agreed offer it is not approaching the costs its very nearly what you infatuation currently this natural science grade 9 september memorandum 2013 as one of the most operational sellers here

natural science grade 9 september memorandum 2013 - Mar 10 2023

web now is natural science grade 9 september memorandum 2013 below the mathematical sciences in 2025 national research council 2013 05 13 the mathematical sciences are part of nearly all aspects of everyday life the discipline has underpinned such beneficial modern capabilities as internet search medical imaging computer

[ns grade 9 september question paper and memo teacha](#) - Aug 15 2023

web ns grade 9 september question paper and memo suitable to use under under all conditions in that it gives learners an opportunity to be fairly assessed using the assessment for learning approach which is not memory based in nature

grade 9 natural sciences ns september exam memo 2023 - May 12 2023

web this product contains a downloadable grade 9 natural sciences ns test and memo for the september test series question 1 write the scientific term for the given statements question 2 match column b with column a question 3 give the definitions of words question 4 answer the questions about forces question 5 calculate the following

natural science grade 9 september memorandum 2013 - Dec 07 2022

web grade 9 september memorandum 2013 is universally compatible next any devices to read managing climate risk in the u s financial system leonardo martinez diaz 2020 09 09 this publication serves as a roadmap for exploring and managing climate risk in the u s financial system

siniflara yÖnelik - Nov 06 2022

web not 8 ve 9 ocak tarihlerinde eba destek noktaları açık bulundurulacaktır eba destek noktalarını kullanmak isteyen öğrencilerin 5 ocak 2021 Çarşamba günü mesai bitimine kadar kendisine en yakın eba destek noktasının bulunduğu okul müdür

natural science grade 9 september memorandum 2013 - Jan 28 2022

web natural science grade 9 september memorandum 2013 special education high school graduation requirements cwritten by eileen ware and roberta wohle annual report of the department of education learning through assessment journal of

education and school world next generation science standards brain friendly school libraries the culture

grade 9 natural sciences ns september exam memo 2023 - Feb 26 2022

web this product contains a downloadable grade 9 natural sciences ns test and memo for the september test series question 1 write the scientific term for the given statements question 2 match column b with column a question 3 give the definitions of words question 4 answer the questions about forces

9 sınıf din kültürü ve ahlak bilgisi ders kitabı meb pdf indir 2023 - Apr 30 2022

web meb yayınları tarafından hazırlanan meb din kültürü ve ahlak bilgisi 9 sınıf ders kitabı indirmeyi tek tıklamayla ve tek linkle öğrencilerin kullanımına hazır hale getirdik aşağıdaki linki tıklayarak eba girişiniz olmadan google drive ile meb 9 sınıf din kültürü ve ahlak bilgisi ders kitabı pdf indirebilirsiniz 9

grade 9 natural sciences exam papers testpapers - Jan 08 2023

web past exam papers for grade 9 natural sciences 2023 2012 past june and november exam papers memos available in afrikaans and english download all question papers for free

natural science grade 9 september memorandum 2013 - Mar 30 2022

web natural science grade 9 september memorandum 2013 is available in our digital library an online access to it is set as public so you can get it instantly our books collection hosts in multiple locations allowing you to get the most less latency time to download any of our books like this one

natural science grade 9 september memorandum 2013 pdf - Apr 11 2023

web natural science grade 9 september memorandum 2013 is available in our digital library an online access to it is set as public so you can download it instantly our book servers spans in multiple countries allowing you to get the most less latency time to download

graad 9 natuurwetenskappe nw september eksamen memo - Jun 13 2023

web summaries sa graad 9 nw september vraestel 2 en memo totaal 60 punte inhoud vraag 1 vraag 1 1 meervoudige keuse vrae vraag 1 2 gee die korrekte term

national assessment general education - Jun 01 2022

web 2023 grade 9 pilot study exemplar subject natural sciences marks 60 duration 90 minutes the test consists of 27 pages excluding the cover page grade 9 ns english 1 grade 9 ns english 2 instructions to the learner 1 read all the instructions and questions carefully 2 answer all the questions

natural science grade 9 september memorandum 2013 pdf - Feb 09 2023

web apr 19 2023 natural science grade 9 september memorandum 2013 1 12 downloaded from uniport edu ng on april 19 2023 by guest natural science grade 9 september memorandum 2013 this is likewise one of the factors by obtaining the soft

documents of this natural science grade 9 september memorandum 2013 by online you might not

natural science grade 9 september memorandum 2013 pdf - Jul 14 2023

web sep 9 2023 this natural science grade 9 september memorandum 2013 as one of the most enthusiastic sellers here will no question be in the course of the best options to review

ingilizcele - Jul 02 2022

web ingilizcele com ÜNİTE 9 environment konu anlatimi obligation and prohibition zorunluluk ve yasaklama must mustn t yasakları veya kuralları ifade etmek için ya da bazı durumlarda çok güçlü bir öneride bulunurken must olumlu ya da must not mustn t olumsuz kullanılır ve bunlar genelde zorunluluk ifade

grade 9 nsc past papers memos natural science - Sep 16 2023

web dec 12 2021 grade 9 nsc past papers memos natural science gr9 natural sc afrikaans november 2016 possible answer

download gr9 natural sc afrikaans november 2017 possible answer download gr9 natural sc afrikaans november 2017

question paper download gr9 natural sc english june 2016 possible

lejweleputswa district - Oct 05 2022

web grade 9 natural sciences memorandum september 2019 marks 50 time 1 hour this memorandum consists of four pages

downloaded from stanmorephysics com natural sciences grade 9 3 lejweleputswa sept 2019 memorandum question 3 3 1

parallel 1 3 2 v 1 3 x 1 5

observer les galaxies et les nébuleuses by philippe henarejos - Dec 26 2021

web connaissez vous les galaxies spirales la galaxie du tournesol ou la nébuleuse de la boule de neige bleue quel est l

instrument d observation le mieux approprié pour les

[observer les galaxies et les na c buleuses full pdf](#) - Mar 09 2023

web observer les galaxies et les na c buleuses suitably simple observer les galaxies et les na c buleuses 2019 10 31 finn

trinity european yearbook 1986 taylor

observer les galaxies et les nébuleuses by philippe henarejos - Apr 10 2023

web connaissez vous les galaxies spirales la galaxie du tournesol ou la nébuleuse de la boule de neige bleue quel est l

instrument d observation le mieux approprié pour les

comment observer les galaxies et les nébuleuses webastro net - May 31 2022

web aug 10 2022 bonjour depuis que j ai reçu mon telescope je n arrive que à observer les planètes mais aucun du ciel

profond j ai un nextar evolution 8 hd de chez celestron

quand les nébuleuses prennent la forme de créatures terrestres - Jul 01 2022

web comme les galaxies des souris et du marsouin celle du têtard doit sa forme à une collision galactique survenue il y a une

centaine de millions d années la queue du

planète galaxie nébuleuse ce qu il est possible d observer au - Aug 02 2022

web sep 25 2018 l observation du cp est un domaine tout aussi fascinant que le planétaire mais un peu plus rigoureux les objets que l on souhaite observer bien que plus

observer les galaxies et les nébuleuses by philippe henarejos - Nov 24 2021

web observer les galaxies et les nébuleuses by philippe henarejos heavens above project avalon bob dean la awake and aware conference are there reliable methods to

observer les galaxies et les na c buleuses pdf pdf - Nov 05 2022

web le nouvel observateur 1985 universal access in human computer interaction designing novel interactions margherita antona 2017 06 28 observer les galaxies et les na

observer les galaxies et les na c buleuses 2022 old vulkk - Oct 04 2022

web et la théorie des cordes magique cosmos explore les recoins les plus déroutants de l univers et s attaque aux plus grands mystères auxquels nous sommes confrontés de

observer les galaxies et les na c buleuses pdf pdf - Sep 03 2022

web may 25 2023 observer les galaxies et les na c buleuses pdf is friendly in our digital library an online right of entry to it is set as public in view of that you can download it

observer les galaxies et les na c buleuses uniport edu - Feb 08 2023

web jun 5 2023 epoch to download any of our books later this one merely said the observer les galaxies et les na c buleuses is universally compatible taking into account any

ebook observer les galaxies et les na c buleuses - Mar 29 2022

web d observation modernes ont permis de faire des découvertes essentielles galaxies décrit tout d abord les diverses morphologies et les catégories de galaxies existantes

observer les galaxies et les nébuleuses by philippe henarejos - Feb 25 2022

web connaissez vous les galaxies spirales la galaxie du tournesol ou la nébuleuse de la boule de neige bleue quel est l instrument d observation le mieux approprié pour les

observer les galaxies et les nébuleuses by philippe henarejos - Jan 27 2022

web april 17th 2020 catalogue of galaxies and of clusters of galaxies by f zwicky et al publ california institute of technology vol 1 1961 vol 2 izvestiya na fizicheskiya institut s

observer les galaxies et les nébuleuses by philippe henarejos - Jun 12 2023

web connaissez vous les galaxies spirales la galaxie du tournesol ou la nébuleuse de la boule de neige bleue quel est l

instrument d observation le mieux approprié pour les

observer les galaxies et les na c buleuses pdf uniport edu - May 11 2023

web jun 30 2023 we find the money for under as without difficulty as evaluation observer les galaxies et les na c buleuses

what you later to read astronomy and astrophysics

observer les galaxies et les na c buleuses uniport edu - Dec 06 2022

web observer les galaxies et les na c buleuses 3 4 downloaded from uniport edu ng on july 16 2023 by guest galaxy evolution theory and observations 2003 matériaux et

observer les galaxies et les nébuleuses by philippe henarejos - Apr 29 2022

web connaissez vous les galaxies spirales la galaxie du tournesol ou la nébuleuse de la boule de neige bleue quel est l

instrument d observation le mieux approprié pour les

pdf observer les galaxies et les na c buleuses - Aug 14 2023

web observer les galaxies et les na c buleuses cosmic pinwheels spiral galaxies and the universe jul 11 2020 the main goal of the book is to introduce the reader to the world of spiral galaxies how spirals were discovered what they represent from a physical

observer les galaxies et les nébuleuses by philippe henarejos - Jul 13 2023

web connaissez vous les galaxies spirales la galaxie du tournesol ou la nébuleuse de la boule de neige bleue quel est l

instrument d observation le mieux approprié pour les

observer les galaxies et les na c buleuses uniport edu - Jan 07 2023

web feb 25 2023 observer les galaxies et les na c buleuses is approachable in our digital library an online admission to it is set as public suitably you can download it instantly

biology by robert j brooker open library - Jan 08 2023

web may 24 2023 biology by robert j brooker eric p widmaier linda graham peter stiling 2022 mcgraw hill education mcgraw hill edition in english

pdf english for the students of biology researchgate - Aug 03 2022

web sep 30 2020 pdf english for the students of biology an eap textbook for undergraduate university students of biology aims to develop the learners reading find read and cite all the research you

biology english meaning cambridge dictionary - Dec 27 2021

web the scientific study of the natural processes of living things definition of biology from the cambridge academic content dictionary cambridge university press examples of

grade 12 biology resource book english f fliphtml5 - Jan 28 2022

web flip html5 is a interactive html5 digital publishing platform that makes it easy to create interactive digital publications including magazines catalogs newspapers books and more online

english for biology a course for biology students at the university - Jun 01 2022

web a course for biology students at the university of crete texts text 1 mutations text 2 genetic drift texts a b text 3 cancer biology biology 3 cancers from single cell text 4 obesity is contributor to heart disease text 5 researchers uncover why the body can t defend against tuberculosis text 6 unit 7 from your book academic english for

campbell biology amazon com tr kitap - Nov 06 2022

web campbell biology amazon com tr kitap kitap Çok satanlar Çocuk kitapları edebiyat ve kurgu ders kitapları İş ve ekonomi siyaset ve felsefe Şu anda mevcut değil bu ürünün tekrar stoklara girip girmeyeceğini bilmiyoruz teslimat adresini seçin

pdf english for biology researchgate - Sep 04 2022

web apr 10 2015 biology english for biology april 2015 edition 1st publisher east china normal university press editor hai han xia authors yingyu cui tongji university abstract the textbook english

igcse biology english language skills workbook issuu - Jun 13 2023

web nov 25 2021 this write in english language skills workbook contains exercises set within the context of cambridge igcse biology topics to consolidate understanding and embed practice in aspects of language

dictionary of biology oxford reference - Feb 09 2023

web sep 13 2023 fully revised and updated the sixth edition of this dictionary provides comprehensive coverage of biology biophysics and biochemistry as well as key terms from medicine and palaeontology it includes biographies of key scientists and feature articles on important topics such as bioinformatics genetically modified organisms

biology cambridge university press - Aug 15 2023

web biology can be a challenging subject to study further that s why our comprehensive collection of biology books and online biology resources will help students prepare for exams at their own pace helping them develop a granular

understanding of biology both nationally and internationally

biology a global approach plus masteringbiology with pearson - May 12 2023

web biology a global approach plus masteringbiology with pearson etext global edition İngilizce kapak 3 temmuz 2017 neil a campbell eser sahibi lisa a urry eser sahibi michael l cain eser sahibi steven a wasserman eser sahibi peter v minorsky eser sahibi jane b reece eser sahibi 3 daha fazla

biology a global approach global edition kapak değişebilir - Mar 10 2023

web biology a global approach global edition kapak değişebilir kapak 1 mayıs 2020 İngilizce baskı kolektif eser sahibi 326 değerlendirme tüm biçimleri ve sürümleri görün

biology and english bs northeastern university - Mar 30 2022

web academic catalog 2023 2024 home undergraduate college of science biology biology and english bs biology and english bs 2023 2024 edition 2023 2024 edition undergraduate admission information for entering students financial information academic policies and procedures university academics

biology İngilizce türkçe sözlük cambridge dictionary - Feb 26 2022

web biology çevir yaşayan canlılar bilimi biyoloji biyoloji daha fazlasını öğrenmek için bkz cambridge İngilizce türkçe sözlük **pdf english for biology text book researchgate** - Jul 02 2022

web apr 10 2015 the textbook english for biology is designed for senior undergraduates of normal universities who major in life science biotechnology and biology education etc it has twelve units in

new a level biology aqa year 1 as complete revision - Apr 30 2022

web new a level biology aqa year 1 as complete revision practice with online edition cgp a level biology cgp books amazon com tr Çerez tercihlerinizi seçin alışveriş deneyiminizi geliştirmek hizmetlerimizi sunmak müşterilerin hizmetlerimizi nasıl kullandığını anlayarak iyileştirmeler yapabilmek ve tanıtımları

biology for cambridge igcse english language skills - Jul 14 2023

web this english language skills workbook with digital access helps learners to develop their language skills in the context of the cambridge igcse biology syllabus the workbook contains exercises for each chapter that combine the

cambridge international as a level biology 9700 - Oct 05 2022

web the coursebook provides a range of enquiry questions such as practical activities group work and debate questions that develop 21st century skills this resource is written to support english as a second language learners with key command terms key words accessible language throughout and glossary definitions in context throughout the text

dictionary of biology oxford reference - Dec 07 2022

web 2 days ago a dictionary of biology 8 ed edited by robert hine previous edition 7 ed over 5 800 entries this new eighth edition has been fully revised and updated to reflect recent progress in the fields of biology biophysics and biochemistry with particular expansion to the areas of ecology cell biology and plant and animal development

cambridge igcse biology cambridge university press - Apr 11 2023

web cambridge igcse biology is written by an experienced teacher and examiner to give comprehensive coverage of the syllabus objectives and is fully endorsed by cambridge international examinations the series components work together to cover all required content and skills including ideas for practicals and other activities that will help to