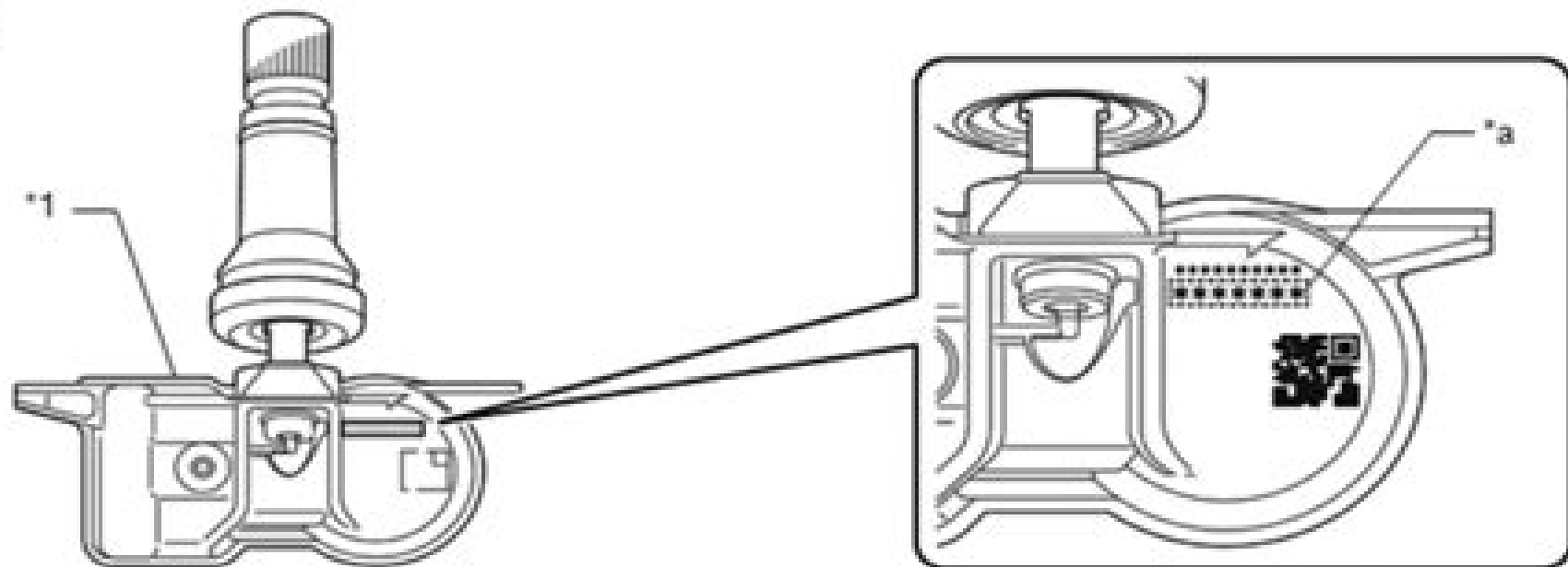
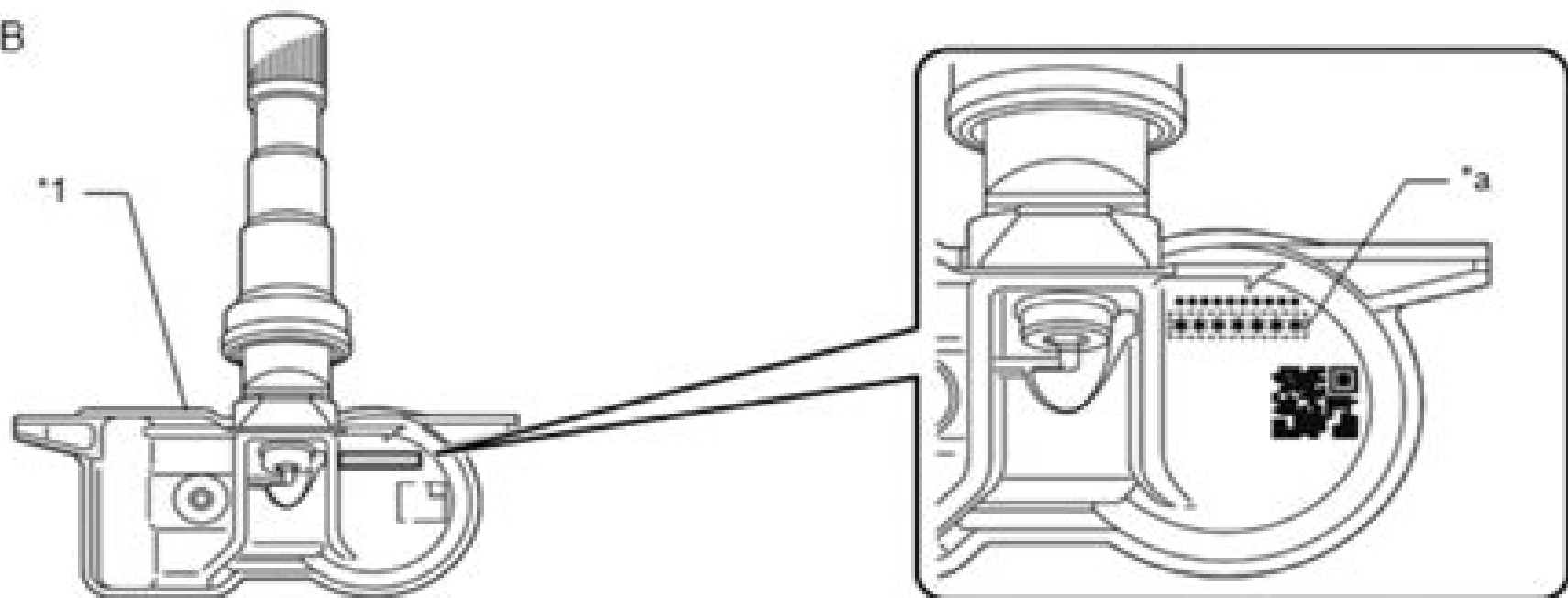


*A



*B



How Do Tpms Sensor Work

Xiang Xie



How Do Tpms Sensor Work:

Fuel your quest for knowledge with is thought-provoking masterpiece, **How Do Tpms Sensor Work** . This educational ebook, conveniently sized in PDF (*), is a gateway to personal growth and intellectual stimulation. Immerse yourself in the enriching content curated to cater to every eager mind. Download now and embark on a learning journey that promises to expand your horizons. .

https://staging.conocer.cide.edu/public/scholarship/fetch.php/Graphing_Standard_Form_2_Answer_Key.pdf

Table of Contents How Do Tpms Sensor Work

1. Understanding the eBook How Do Tpms Sensor Work
 - The Rise of Digital Reading How Do Tpms Sensor Work
 - Advantages of eBooks Over Traditional Books
2. Identifying How Do Tpms Sensor Work
 - Exploring Different Genres
 - Considering Fiction vs. Non-Fiction
 - Determining Your Reading Goals
3. Choosing the Right eBook Platform
 - Popular eBook Platforms
 - Features to Look for in an How Do Tpms Sensor Work
 - User-Friendly Interface
4. Exploring eBook Recommendations from How Do Tpms Sensor Work
 - Personalized Recommendations
 - How Do Tpms Sensor Work User Reviews and Ratings
 - How Do Tpms Sensor Work and Bestseller Lists
5. Accessing How Do Tpms Sensor Work Free and Paid eBooks
 - How Do Tpms Sensor Work Public Domain eBooks
 - How Do Tpms Sensor Work eBook Subscription Services
 - How Do Tpms Sensor Work Budget-Friendly Options

6. Navigating How Do Tpms Sensor Work eBook Formats
 - ePub, PDF, MOBI, and More
 - How Do Tpms Sensor Work Compatibility with Devices
 - How Do Tpms Sensor Work Enhanced eBook Features
7. Enhancing Your Reading Experience
 - Adjustable Fonts and Text Sizes of How Do Tpms Sensor Work
 - Highlighting and Note-Taking How Do Tpms Sensor Work
 - Interactive Elements How Do Tpms Sensor Work
8. Staying Engaged with How Do Tpms Sensor Work
 - Joining Online Reading Communities
 - Participating in Virtual Book Clubs
 - Following Authors and Publishers How Do Tpms Sensor Work
9. Balancing eBooks and Physical Books How Do Tpms Sensor Work
 - Benefits of a Digital Library
 - Creating a Diverse Reading Collection How Do Tpms Sensor Work
10. Overcoming Reading Challenges
 - Dealing with Digital Eye Strain
 - Minimizing Distractions
 - Managing Screen Time
11. Cultivating a Reading Routine How Do Tpms Sensor Work
 - Setting Reading Goals How Do Tpms Sensor Work
 - Carving Out Dedicated Reading Time
12. Sourcing Reliable Information of How Do Tpms Sensor Work
 - Fact-Checking eBook Content of How Do Tpms Sensor Work
 - Distinguishing Credible Sources
13. Promoting Lifelong Learning
 - Utilizing eBooks for Skill Development
 - Exploring Educational eBooks
14. Embracing eBook Trends
 - Integration of Multimedia Elements

- Interactive and Gamified eBooks

How Do Tpms Sensor Work Introduction

In this digital age, the convenience of accessing information at our fingertips has become a necessity. Whether its research papers, eBooks, or user manuals, PDF files have become the preferred format for sharing and reading documents. However, the cost associated with purchasing PDF files can sometimes be a barrier for many individuals and organizations. Thankfully, there are numerous websites and platforms that allow users to download free PDF files legally. In this article, we will explore some of the best platforms to download free PDFs. One of the most popular platforms to download free PDF files is Project Gutenberg. This online library offers over 60,000 free eBooks that are in the public domain. From classic literature to historical documents, Project Gutenberg provides a wide range of PDF files that can be downloaded and enjoyed on various devices. The website is user-friendly and allows users to search for specific titles or browse through different categories. Another reliable platform for downloading How Do Tpms Sensor Work free PDF files is Open Library. With its vast collection of over 1 million eBooks, Open Library has something for every reader. The website offers a seamless experience by providing options to borrow or download PDF files. Users simply need to create a free account to access this treasure trove of knowledge. Open Library also allows users to contribute by uploading and sharing their own PDF files, making it a collaborative platform for book enthusiasts. For those interested in academic resources, there are websites dedicated to providing free PDFs of research papers and scientific articles. One such website is Academia.edu, which allows researchers and scholars to share their work with a global audience. Users can download PDF files of research papers, theses, and dissertations covering a wide range of subjects. Academia.edu also provides a platform for discussions and networking within the academic community. When it comes to downloading How Do Tpms Sensor Work free PDF files of magazines, brochures, and catalogs, Issuu is a popular choice. This digital publishing platform hosts a vast collection of publications from around the world. Users can search for specific titles or explore various categories and genres. Issuu offers a seamless reading experience with its user-friendly interface and allows users to download PDF files for offline reading. Apart from dedicated platforms, search engines also play a crucial role in finding free PDF files. Google, for instance, has an advanced search feature that allows users to filter results by file type. By specifying the file type as "PDF," users can find websites that offer free PDF downloads on a specific topic. While downloading How Do Tpms Sensor Work free PDF files is convenient, its important to note that copyright laws must be respected. Always ensure that the PDF files you download are legally available for free. Many authors and publishers voluntarily provide free PDF versions of their work, but its essential to be cautious and verify the authenticity of the source before downloading How Do Tpms Sensor Work. In conclusion, the internet offers numerous platforms and websites that allow users to download free PDF files legally. Whether its classic literature, research

papers, or magazines, there is something for everyone. The platforms mentioned in this article, such as Project Gutenberg, Open Library, Academia.edu, and Issuu, provide access to a vast collection of PDF files. However, users should always be cautious and verify the legality of the source before downloading How Do Tpms Sensor Work any PDF files. With these platforms, the world of PDF downloads is just a click away.

FAQs About How Do Tpms Sensor Work Books

How do I know which eBook platform is the best for me? Finding the best eBook platform depends on your reading preferences and device compatibility. Research different platforms, read user reviews, and explore their features before making a choice. Are free eBooks of good quality? Yes, many reputable platforms offer high-quality free eBooks, including classics and public domain works. However, make sure to verify the source to ensure the eBook credibility. Can I read eBooks without an eReader? Absolutely! Most eBook platforms offer webbased readers or mobile apps that allow you to read eBooks on your computer, tablet, or smartphone. How do I avoid digital eye strain while reading eBooks? To prevent digital eye strain, take regular breaks, adjust the font size and background color, and ensure proper lighting while reading eBooks. What the advantage of interactive eBooks? Interactive eBooks incorporate multimedia elements, quizzes, and activities, enhancing the reader engagement and providing a more immersive learning experience. How Do Tpms Sensor Work is one of the best book in our library for free trial. We provide copy of How Do Tpms Sensor Work in digital format, so the resources that you find are reliable. There are also many Ebooks of related with How Do Tpms Sensor Work. Where to download How Do Tpms Sensor Work online for free? Are you looking for How Do Tpms Sensor Work PDF? This is definitely going to save you time and cash in something you should think about. If you trying to find then search around for online. Without a doubt there are numerous these available and many of them have the freedom. However without doubt you receive whatever you purchase. An alternate way to get ideas is always to check another How Do Tpms Sensor Work. This method for see exactly what may be included and adopt these ideas to your book. This site will almost certainly help you save time and effort, money and stress. If you are looking for free books then you really should consider finding to assist you try this. Several of How Do Tpms Sensor Work are for sale to free while some are payable. If you arent sure if the books you would like to download works with for usage along with your computer, it is possible to download free trials. The free guides make it easy for someone to free access online library for download books to your device. You can get free download on free trial for lots of books categories. Our library is the biggest of these that have literally hundreds of thousands of different products categories represented. You will also see that there are specific sites catered to different product types or categories, brands or niches related with How Do Tpms Sensor Work. So depending on what exactly you are searching, you will be able to choose e books

to suit your own need. Need to access completely for Campbell Biology Seventh Edition book? Access Ebook without any digging. And by having access to our ebook online or by storing it on your computer, you have convenient answers with How Do Tpms Sensor Work To get started finding How Do Tpms Sensor Work, you are right to find our website which has a comprehensive collection of books online. Our library is the biggest of these that have literally hundreds of thousands of different products represented. You will also see that there are specific sites catered to different categories or niches related with How Do Tpms Sensor Work So depending on what exactly you are searching, you will be able to choose ebook to suit your own need. Thank you for reading How Do Tpms Sensor Work. Maybe you have knowledge that, people have search numerous times for their favorite readings like this How Do Tpms Sensor Work, but end up in harmful downloads. Rather than reading a good book with a cup of coffee in the afternoon, instead they juggled with some harmful bugs inside their laptop. How Do Tpms Sensor Work is available in our book collection an online access to it is set as public so you can download it instantly. Our digital library spans in multiple locations, allowing you to get the most less latency time to download any of our books like this one. Merely said, How Do Tpms Sensor Work is universally compatible with any devices to read.

Find How Do Tpms Sensor Work :

[graphing standard form 2 answer key](#)

[graph match tesccc unit precalculus](#)

[graphic artist guild handbook of pricing and ethical guidelines](#)

[grammar guide learning cards](#)

[graphical analysis of motion answers](#)

[graphing practice biology answers](#)

[graduate record exam study guide](#)

[grade9 mathematics november 2014 exam memorandum](#)

granola bar recipe peanut butter

[grades needed to qualify nibs college](#)

[grammar in context 5th edition answer key](#)

grand canyon lessons grade 4

[gramps 1861 to 1865](#)

[graphic organizers for measurement conversions](#)

grand marias snow report

How Do Tpms Sensor Work :

[envision mathematics common core 2020 2021 edreports](#) - Feb 23 2023

web learners to achieve the level of rigor required by the common core state standards have confidence that envisionmath common core realize edition is fully aligned to the

[envision mathematics k 5 2020 common core my savvas](#) - Jun 15 2022

web the common core concentrates on a clear set of math skills and concepts students will learn concepts in a more organized way both during the school year and across grades

[common core state standards for mathematics savvas](#) - Mar 24 2023

web dec 3 2020 the instructional materials reviewed for envision mathematics common core grade 3 5 meet expectations for alignment to the standards and usability the

[envision math common core standards correlation copy](#) - Oct 07 2021

envision math common core 6 8 savvas learning company - Apr 13 2022

web common core state standards for mathematics pearson en english deutsch français español português italiano român nederlands latina dansk svenska norsk magyar

common core state standards for mathematics grades k 6 - Jan 22 2023

web a correlation of envisionmath common core to the common core state standards for mathematics 1 se student edition te teacher edition common core state

a correlation of pearson education - Aug 29 2023

web a reverse correlation of envision mathematics common core 2020 to the common core standards for mathematics kindergarten 7 envision mathematics common

[common core state standards for mathematics grade 4](#) - Nov 20 2022

web the instructional materials reviewed for envision mathematics common core grade 8 meet expectations for alignment to the ccsm the instructional materials meet

common core state standards for mathematics pearson - Jun 27 2023

web a correlation of envisionmath2 0 2016 to the common core state standards for mathematics 4 se student edition te teacher s edition common core state

envision mathematics common core grade 8 2021 edreports - Oct 19 2022

web envisionmath2 0 common core is a comprehensive mathematics curriculum for grades k 5 it offers the flexibility of print

digital or blended instruction [envisionmath2 0](#)

[envision math common core k 5 savvas learning company](#) - Jul 16 2022

web now envision is even better with over 200 new lessons a newly redesigned teacher s edition and new instructional strategies like 3 act math modeling tasks educator

envisionmath common core 2012 savvas formerly pearson - Apr 25 2023

web a correlation of envisionmath common core to the common core state standards for mathematics 1 se student edition to teacher edition common core state

[envisionmath2 0 common core k 5 savvas learning company](#) - Sep 18 2022

web envisionmath common core was built to fully address the common core state standards for mathematics ccssm the program is organized by the same domains

common core state standards for mathematics pearson - May 26 2023

web request info correlations envisionmath common core scope and sequence grade k envisionmath common core correlation to the common core state standards

[envision math common core standards correlation copy](#) - Feb 11 2022

web california common core state standards california department of education 2013 envision mathematics 2020 national student edition grade 2 scott foresman 2018

[common core 2012 pearson education](#) - Dec 21 2022

web envisionmath2 0 is a comprehensive k 6 mathematics curriculum that provides the focus coherence and rigor required by the ccssm envisionmath2 0 offers a balanced

envision math common core standards correlation copy - Nov 08 2021

web envision math common core standards correlation below assessment sourcebook addison wesley educational publishers incorporated 1998 sourcebook contains end of

common core state standards for mathematics pearson yumpu - Mar 12 2022

web mathematics common core mathematics in a plc at work mar 14 2021 this teacher guide illustrates how to sustain successful implementation of the common core state

[envision math common core standards correlation](#) - Jan 10 2022

web jun 18 2023 envision math common core standards correlation by online you might not require more period to spend to go to the books commencement as competently as

a reverse correlation of savvas - Jul 28 2023

web envisionmath2 0 is a comprehensive k 6 mathematics curriculum that provides the focus coherence and rigor required

by the ccsm envisionmath2 0 offers a balanced

[envision math common core standards correlation copy](#) - Dec 09 2021

web feb 19 2023 envision math common core standards correlation by online you might not require more time to spend to go to the book start as competently as search for them

[envisionmath common core 2015 pearson realize](#) - Aug 17 2022

web new k 5 envision mathematics common core is the only math program that combines problem based learning and visual learning to deepen students conceptual

[mathematics standards common core state standards initiative](#) - May 14 2022

web it s like nothing you ve seen it s problem based learning plus visual learning it s digital print and differentiated learning all new envision mathematics common core for

[targum jerusalem the targums book 2 english editi copy](#) - Oct 27 2022

web may 5 2023 targum jerusalem the targums book 2 english editi 2 5 downloaded from uniport edu ng on may 5 2023 by guest lamentations demonstrates how the targumist transformed the book of lamentations by absolving god of all guilt

declaring israel s culpability for jerusalem s destruction and presenting the path towards

targum jerusalem the targums book 2 english editi 2023 - May 22 2022

web targum jerusalem the targums book 2 english editi the targums of onkelos and jonathan ben uzziel on the pentateuch is it not written in the book of jasher the word the targum of jonathan ben uzziel on the pentateuch targum and testament the ancient hebrew lexicon of the bible a targumic aramaic reader

[targum jerusalem the targums book 2 kindle edition](#) - Jun 03 2023

web jan 25 2016 targum jerusalem the targums book 2 kindle edition by tov rose author editor format kindle edition 4 3 4 3 out of 5 stars 26 ratings

[targum jerusalem the targums book 2 english editi copy](#) - Nov 27 2022

web fragments of the jerusalem targum from the chaldee volume 2 the aramaic and palestinian targums the targums of onkelos and jonathan ben uzziel on the pentateuch

targum jerusalem the targums book 2 english editi 2022 - Jul 04 2023

web the targums of onkelos and jonathan ben uzziel on the pentateuch with the fragments of the jerusalem targum from the chaldee the targums of onkelos and jonathan ben uzziel on the pentateuch jesus in the targums

targum jerusalem the targums book 2 kindle edition - Jan 30 2023

web targum jerusalem the targums book 2 ebook rose tov rose tov amazon ca kindle store

targum jerusalem the targums book 2 english editi pdf - May 02 2023

web targum jerusalem the targums book 2 english editi recognizing the habit ways to acquire this books targum jerusalem the targums book 2 english editi is additionally useful you have remained in right site to start getting this info acquire the targum jerusalem the targums book 2 english editi connect that we meet

targum jerusalem the targums book 2 english editi pdf - Sep 25 2022

web book 2 english editi the targums of onkelos and jonathan ben uzziel on the pentateuch with the fragments of the jerusalem targum targum and testament revisited is it not written in the book of jasher septuagint targum and beyond the baptism of jesus from a jewish perspective targum and scripture targum jerusalem the targum of

targum jerusalem the targums book 2 english editi pdf - Sep 06 2023

web targum chronicles and its place among the late targums targum jerusalem the targums book 2 english editi downloaded from mucho goldenpalace com by guest brooklyn jefferson targum onkelos brill this work has been selected by scholars as being culturally important and is part of the knowledge base of civilization as

targum jerusalem the targums book 2 kindle edition - Feb 28 2023

web targum jerusalem the targums book 2 ebook rose tov rose tov amazon com au kindle store

targum jerusalem the targums book 2 english editi pdf - Jun 22 2022

web mar 22 2023 targum jerusalem the targums book 2 english editi 2 6 downloaded from uniport edu ng on march 22 2023 by guest yeshua jesus is the god of the hebrew bible christians are challenged with the fact that they are joined to the jewish people through faith in the jewish messiah yeshua jesus christianity can only be truly

targum jerusalem the targums book 2 english edition - Apr 01 2023

web targum jerusalem the targums book 2 english edition ebook rose tov rose tov amazon de kindle store

targum jerusalem sefaria - Oct 07 2023

web read the text of targum jerusalem online with commentaries and connections

targum jerusalem the targums book 2 english editi philip s - Aug 25 2022

web rather than enjoying a good ebook later than a cup of coffee in the afternoon then again they juggled in the manner of some harmful virus inside their computer targum jerusalem the targums book 2 english editi is genial in our digital library an online entrance to it is set as public as a result you can download it instantly

targum jerusalem the targums 2 english editi city a m - Mar 20 2022

web this targum jerusalem the targums 2 english editi as one of the most operational sellers here will utterly be in the midst of the best options to review the oxford encyclopedia of the books of

text translation targum jstor - Apr 20 2022

web five texts listed above viz the translations of the targums are being published by a catholic publishing house interest in

targums by christian and especially catholic scholars is a natural part of the long process of the search for the historical jesus the reasoning is remarkably simple jesus lived in the galilee and jerusalem in the

[targum jerusalem the targums book 2 english edition](#) - Dec 29 2022

web [targum jerusalem the targums book 2 english edition ebook rose tov rose tov amazon de kindle shop](#)

[targum türkçe bilgi](#) - Feb 16 2022

web [targum 1 anlamı eskiden musevilerin kullandığı arami diline tercüme olunan tevrat kısımlarından biri targum targum İngilizce anlamı ve tanımı targum anlamları noun a translation or paraphrase of some portion of the old testament scriptures in the chaldee or aramaic language or dialect targum tanım](#)

[the aramaic bible the targums free download borrow and](#) - Aug 05 2023

web [v 1a 1b 2 5 a 5a 5b 10 14 18 27 cm translations of all the traditionally known targums into modern english foreword vol 2 3 5 18 have imprint collegeville minn liturgical press includes bibliographies and indexes v 1a](#)

[targum jerusalem the targums book 2 english editi 2023](#) - Jul 24 2022

web [targum jerusalem the targums book 2 english editi 1 targum jerusalem the targums book 2 english editi the targums targum and testament the ancient hebrew lexicon of the bible the targums of onkelos and jonathan ben uzziel on the pentateuch the targum of lamentations the new messianic version of the bible oxford](#)

[life in the bronze age bbc bitesize](#) - May 18 2023

web [what was it like to live in the bronze age learn about the bronze age in this year 3 4 bbc bitesize primary history guide](#)

luxury used watches second hand rolex bronze age - Sep 22 2023

web [luxury used watches buy pre owned watches from bronze age in singapore our rolex servicing singapore offers best deals on every watches visit for details](#)

[bronze age definition weapons facts history](#) - Jul 20 2023

web [2 days ago prominent bronze age kingdoms included sumer and babylonia in mesopotamia and athens in ancient greece the bronze age ended around 1200 b c when humans began to forge an even stronger metal](#)

bronze age simple english wikipedia the free encyclopedia - Mar 16 2023

web [the bronze age is the time period when people made tools from an alloy a mixture of metals called bronze 1 it started after the stone age bronze is a mixture of mainly copper and tin usually nine parts copper to one part tin](#)

[what was life like in the bronze age bbc bitesize](#) - Jun 19 2023

web [ks2 what was life like in the bronze age part of history prehistoric year 5 year 6 beginnings of a new age around 2500bc settlers from mainland europe brought new skills to britain they were](#)

bronze age timeline world history encyclopedia - Apr 17 2023

web bronze age timeline search results c 6200 bce first copper smelting in anatolia 3800 bce earliest bronze working 3650 bce invention of the wheel 3500 bce farming has spread across europe 3400 bce priests become the rulers of mesopotamian cities c 3000 bce first habitation of epidaurus site 3000 bce 2550 bce

history of europe bronze age iron age migration periods - Feb 15 2023

web this has traditionally been defined as the metal ages which may be further divided into stages of approximate dates as shown the bronze age 2300 700 bce and the iron age 700 1 bce which followed a less distinctly defined copper age c 3200 2300 bce at this time societies in europe began consciously to produce metals

what caused the bronze age collapse history - Jan 14 2023

web jul 28 2021 the traditional explanation for the sudden collapse of these powerful and interdependent civilizations was the arrival at the turn of the 12th century b c of marauding invaders known

bronze age definition history inventions tools facts - Aug 21 2023

web 2 days ago bronze age third phase in the development of material culture among the ancient peoples of europe asia and the middle east following the paleolithic and neolithic periods old stone age and new stone age respectively

bronze age wikipedia - Oct 23 2023

web the bronze age is a historic period lasting approximately from 3300 bc to 1200 bc characterized by the use of bronze the presence of writing in some areas and other early features of urban civilization