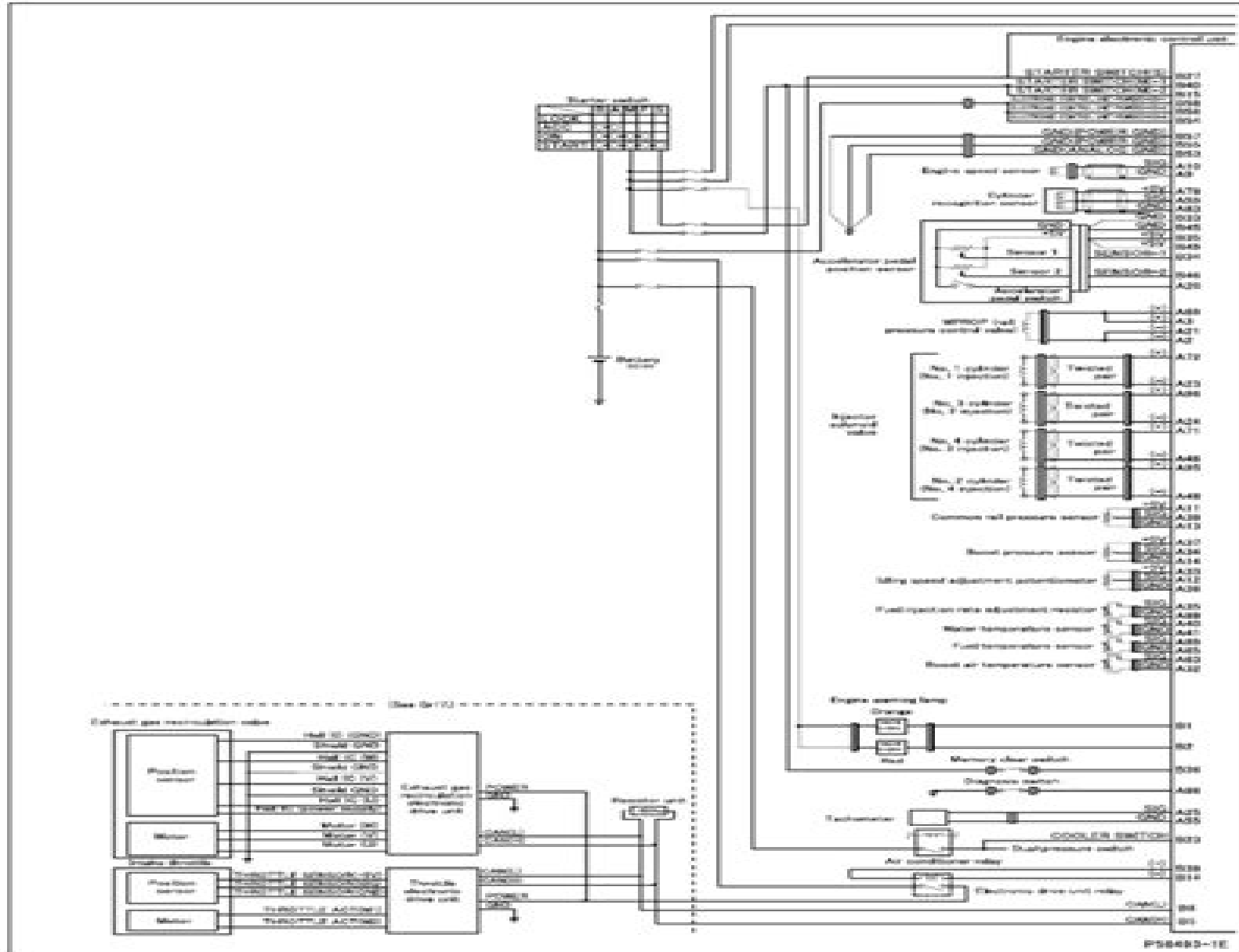


STRUCTURE AND OPERATION

3. Electronic Control Unit Connection Diagram



How To Diagnose 4m50 Ecu

Christian G. Meyer



How To Diagnose 4m50 Ecu:

The Academy and Literature ,1880

The academy ,1880

How To Diagnose 4m50 Ecu Book Review: Unveiling the Magic of Language

In an electronic digital era where connections and knowledge reign supreme, the enchanting power of language has been apparent than ever. Its power to stir emotions, provoke thought, and instigate transformation is really remarkable. This extraordinary book, aptly titled "**How To Diagnose 4m50 Ecu**," published by a highly acclaimed author, immerses readers in a captivating exploration of the significance of language and its profound impact on our existence. Throughout this critique, we will delve into the book's central themes, evaluate its unique writing style, and assess its overall influence on its readership.

<https://staging.conocer.cide.edu/files/uploaded-files/Documents/Kubota%20B20%20Parts%20Manual.pdf>

Table of Contents How To Diagnose 4m50 Ecu

1. Understanding the eBook How To Diagnose 4m50 Ecu
 - The Rise of Digital Reading How To Diagnose 4m50 Ecu
 - Advantages of eBooks Over Traditional Books
2. Identifying How To Diagnose 4m50 Ecu
 - Exploring Different Genres
 - Considering Fiction vs. Non-Fiction
 - Determining Your Reading Goals
3. Choosing the Right eBook Platform
 - Popular eBook Platforms
 - Features to Look for in an How To Diagnose 4m50 Ecu
 - User-Friendly Interface
4. Exploring eBook Recommendations from How To Diagnose 4m50 Ecu
 - Personalized Recommendations
 - How To Diagnose 4m50 Ecu User Reviews and Ratings
 - How To Diagnose 4m50 Ecu and Bestseller Lists

5. Accessing How To Diagnose 4m50 Ecu Free and Paid eBooks
 - How To Diagnose 4m50 Ecu Public Domain eBooks
 - How To Diagnose 4m50 Ecu eBook Subscription Services
 - How To Diagnose 4m50 Ecu Budget-Friendly Options
6. Navigating How To Diagnose 4m50 Ecu eBook Formats
 - ePub, PDF, MOBI, and More
 - How To Diagnose 4m50 Ecu Compatibility with Devices
 - How To Diagnose 4m50 Ecu Enhanced eBook Features
7. Enhancing Your Reading Experience
 - Adjustable Fonts and Text Sizes of How To Diagnose 4m50 Ecu
 - Highlighting and Note-Taking How To Diagnose 4m50 Ecu
 - Interactive Elements How To Diagnose 4m50 Ecu
8. Staying Engaged with How To Diagnose 4m50 Ecu
 - Joining Online Reading Communities
 - Participating in Virtual Book Clubs
 - Following Authors and Publishers How To Diagnose 4m50 Ecu
9. Balancing eBooks and Physical Books How To Diagnose 4m50 Ecu
 - Benefits of a Digital Library
 - Creating a Diverse Reading Collection How To Diagnose 4m50 Ecu
10. Overcoming Reading Challenges
 - Dealing with Digital Eye Strain
 - Minimizing Distractions
 - Managing Screen Time
11. Cultivating a Reading Routine How To Diagnose 4m50 Ecu
 - Setting Reading Goals How To Diagnose 4m50 Ecu
 - Carving Out Dedicated Reading Time
12. Sourcing Reliable Information of How To Diagnose 4m50 Ecu
 - Fact-Checking eBook Content of How To Diagnose 4m50 Ecu
 - Distinguishing Credible Sources
13. Promoting Lifelong Learning

- Utilizing eBooks for Skill Development
 - Exploring Educational eBooks
14. Embracing eBook Trends
- Integration of Multimedia Elements
 - Interactive and Gamified eBooks

How To Diagnose 4m50 Ecu Introduction

How To Diagnose 4m50 Ecu Offers over 60,000 free eBooks, including many classics that are in the public domain. Open Library: Provides access to over 1 million free eBooks, including classic literature and contemporary works. How To Diagnose 4m50 Ecu Offers a vast collection of books, some of which are available for free as PDF downloads, particularly older books in the public domain. How To Diagnose 4m50 Ecu : This website hosts a vast collection of scientific articles, books, and textbooks. While it operates in a legal gray area due to copyright issues, its a popular resource for finding various publications. Internet Archive for How To Diagnose 4m50 Ecu : Has an extensive collection of digital content, including books, articles, videos, and more. It has a massive library of free downloadable books. Free-eBooks How To Diagnose 4m50 Ecu Offers a diverse range of free eBooks across various genres. How To Diagnose 4m50 Ecu Focuses mainly on educational books, textbooks, and business books. It offers free PDF downloads for educational purposes. How To Diagnose 4m50 Ecu Provides a large selection of free eBooks in different genres, which are available for download in various formats, including PDF. Finding specific How To Diagnose 4m50 Ecu, especially related to How To Diagnose 4m50 Ecu, might be challenging as theyre often artistic creations rather than practical blueprints. However, you can explore the following steps to search for or create your own Online Searches: Look for websites, forums, or blogs dedicated to How To Diagnose 4m50 Ecu, Sometimes enthusiasts share their designs or concepts in PDF format. Books and Magazines Some How To Diagnose 4m50 Ecu books or magazines might include. Look for these in online stores or libraries. Remember that while How To Diagnose 4m50 Ecu, sharing copyrighted material without permission is not legal. Always ensure youre either creating your own or obtaining them from legitimate sources that allow sharing and downloading. Library Check if your local library offers eBook lending services. Many libraries have digital catalogs where you can borrow How To Diagnose 4m50 Ecu eBooks for free, including popular titles. Online Retailers: Websites like Amazon, Google Books, or Apple Books often sell eBooks. Sometimes, authors or publishers offer promotions or free periods for certain books. Authors Website Occasionally, authors provide excerpts or short stories for free on their websites. While this might not be the How To Diagnose 4m50 Ecu full book , it can give you a taste of the authors writing style. Subscription Services Platforms like Kindle Unlimited or Scribd offer subscription-based access to a wide range of How To Diagnose 4m50 Ecu eBooks, including some popular titles.

FAQs About How To Diagnose 4m50 Ecu Books

1. Where can I buy How To Diagnose 4m50 Ecu books? Bookstores: Physical bookstores like Barnes & Noble, Waterstones, and independent local stores. Online Retailers: Amazon, Book Depository, and various online bookstores offer a wide range of books in physical and digital formats.
2. What are the different book formats available? Hardcover: Sturdy and durable, usually more expensive. Paperback: Cheaper, lighter, and more portable than hardcovers. E-books: Digital books available for e-readers like Kindle or software like Apple Books, Kindle, and Google Play Books.
3. How do I choose a How To Diagnose 4m50 Ecu book to read? Genres: Consider the genre you enjoy (fiction, non-fiction, mystery, sci-fi, etc.). Recommendations: Ask friends, join book clubs, or explore online reviews and recommendations. Author: If you like a particular author, you might enjoy more of their work.
4. How do I take care of How To Diagnose 4m50 Ecu books? Storage: Keep them away from direct sunlight and in a dry environment. Handling: Avoid folding pages, use bookmarks, and handle them with clean hands. Cleaning: Gently dust the covers and pages occasionally.
5. Can I borrow books without buying them? Public Libraries: Local libraries offer a wide range of books for borrowing. Book Swaps: Community book exchanges or online platforms where people exchange books.
6. How can I track my reading progress or manage my book collection? Book Tracking Apps: Goodreads, LibraryThing, and Book Catalogue are popular apps for tracking your reading progress and managing book collections. Spreadsheets: You can create your own spreadsheet to track books read, ratings, and other details.
7. What are How To Diagnose 4m50 Ecu audiobooks, and where can I find them? Audiobooks: Audio recordings of books, perfect for listening while commuting or multitasking. Platforms: Audible, LibriVox, and Google Play Books offer a wide selection of audiobooks.
8. How do I support authors or the book industry? Buy Books: Purchase books from authors or independent bookstores. Reviews: Leave reviews on platforms like Goodreads or Amazon. Promotion: Share your favorite books on social media or recommend them to friends.
9. Are there book clubs or reading communities I can join? Local Clubs: Check for local book clubs in libraries or community centers. Online Communities: Platforms like Goodreads have virtual book clubs and discussion groups.
10. Can I read How To Diagnose 4m50 Ecu books for free? Public Domain Books: Many classic books are available for free as they're in the public domain. Free E-books: Some websites offer free e-books legally, like Project Gutenberg or Open Library.

Find How To Diagnose 4m50 Ecu :

[kubota b20 parts manual](#)

[kubota kh 151 parts](#)

kubota d1105 workshop manual

[kubota l3400 manual](#)

kubota b1550 hst workshop manual

[kubota b20 owners manual](#)

kubota v3300 workshop manual

[kubota b3200 parts manual](#)

[kubota bx22 owners manual](#)

kubota zd18 early zero turn mower workshop service manual

[kubota b20 manual](#)

[kubota m105 parts manual](#)

[kubota zd28 transmission manual](#)

[kubota b5200 dt tractor parts manual illustrated list ipl](#)

[kubota l235 tractor illustrated master parts list manual](#)

How To Diagnose 4m50 Ecu :

Engineering Mechanics: Statics Based upon a great deal of classroom teaching experience, authors Plesha, Gray, & Costanzo provide a rigorous introduction to the fundamental principles of ... Engineering Mechanics: Statics Michael E. Plesha is a Professor of Engineering Mechanics in the Department of Engineering. Physics at the University of Wisconsin-Madison. Engineering Mechanics: Statics by Plesha, Michael Plesha, Gray, and Costanzo's Engineering Mechanics: Statics & Dynamics presents the fundamental concepts, clearly, in a modern context using applications ... Engineering Mechanics: Statics and Dynamics ... Plesha, Gray, and Costanzo's Engineering Mechanics: Statics & Dynamics presents the fundamental concepts clearly, in a modern context using applications and ... Engineering Mechanics: Statics and Dynamics - Hardcover Plesha, Gray, and Costanzo's Engineering Mechanics: Statics & Dynamics presents the fundamental concepts clearly, in a modern context using applications and ... Engineering Mechanics: Statics by Michael E. Plesha Mar 9, 2009 — Plesha, Gray, and Costanzo's Engineering Statics & Dynamics presents the fundamental concepts, clearly, in a modern context using ... Dynamics. by Gary Gray, Francesco Costanzo and ... Plesha, Gray, and Costanzo's "Engineering Mechanics: Statics &

Dynamics" presents the fundamental concepts, clearly, in a modern context using applications ... Engineering Mechanics : Statics, 2nd Edition Engineering Mechanics, Statics & Dynamics, second edition, by Plesha, Gray, & Costanzo, a new dawn for the teaching and learning of statics and dynamics. Northstar Reading and Writing 5 Student Book with ... Amazon.com: Northstar Reading and Writing 5 Student Book with Interactive Student Book Access Code and Myenglishlab: 9780134662060: COHEN, ROBERT, Miller, ... Northstar Reading and Writing Level 5 NorthStar Reading and Writing 4e Level 5 (Student Book, Online Practice) ... NorthStar is an intensive, American English, integrated skills course. It ... NorthStar Reading and Writing (5th Edition) It engages students through authentic and compelling content. It is designed to prepare students for the demands of college level and university study. There ... NorthStar Reading and Writing 5 MyLab English, ... Amazon.com: NorthStar Reading and Writing 5 MyLab English, International Edition (4th Edition): 9780134078359: Cohen, Robert, Miller, Judith: Books. NorthStar Reading and Writing 5 Student Book with ... The new and improved Reading & Writing strand now offers an Interactive Student Book powered by MyEnglishLab. The Interactive Student Book. Northstar Reading and Writing 5 Student Book with ... Title: Northstar Reading and Writing 5 Student Book... Publisher: Pearson Education ESL (edition 4). Publication Date: 2017. Binding: Paperback. Northstar Reading and Writing 5 Student Book with ... Northstar Reading and Writing 5 Student Book with Interactive Student Book Access Code and Myenglishlab (Paperback, Used, 9780134662060, 0134662067). NorthStar Reading and Writing 5 with MyEnglishLab (4th ... NorthStar Reading and Writing 5 with MyEnglishLab (4th Edition) Paperback - 2014 ; ISBN 13: 9780133382242 ; ISBN 10: 0133382249 ; Quantity Available: 1 ; Seller. NorthStar Reading and Writing 5 Student Book ... NorthStar Reading and Writing 5 Student Book with Interactive Student Book Access Code and MyEnglishLab. Item Height. 0.6in. Author. Robert Cohen, Judith Miller. NorthStar Reading and Writing 5 with Interactive access ... This 4th edition published in 2017 book is a real used textbook sold by our USA-based family-run business, and so we can assure you that is not a cheap knock ... Accessing JP Exam & Study Guides The JP exam and optional study materials (study guide and practice exam) will be available for applicants online through their "My TMB" account. Texas Medical Jurisprudence Prep | TX Jurisprudence ... Texas Medical Board Exam. The online Texas Jurisprudence Study Guide is recommended by Texas Medical Board for the Texas Medical Board Exam. All physicians ... Online JP Exam & Study Guide Online JP Exam & Study Guide. The JP exam is available for applicants with active, pending applications to take online through their My TMB account. Studying for the Texas Jurisprudence Exam - Ben White Does your book help study for the Texas Jurisprudence Exam for Speech Language Pathology Assistant Licensure? ... Is this study guide up to date for examination ... Texas Nursing Jurisprudence Exam The course, complete with training on how to locate information for further review, printable resources that will aid study and practice questions, will be ... The Texas Medical Jurisprudence Examination - A Self- ... The 14th edition of The Texas Medical Jurisprudence Examination: A Self-Study Guide is now available for purchase. In print since 1986, the guide provides ... The

Texas Medical Jurisprudence Exam This is all you need. The goal of this study guide is to hit the sweet spot between concise and terse, between reasonably inclusive and needlessly thorough. Jurisprudence Examination The exam is an open-book exam used to assess the candidate's knowledge of applicable laws governing the practice of psychology and must be taken no more than 6 ... Texas Jurisprudence Exam Flashcards Texas Jurisprudence Exam. 4.4 (58 reviews). Flashcards · Learn · Test · Match ... Texas BON study guide, BON Quiz, Jurisprudence. Teacher149 terms. Profile ... Texas Medical Jurisprudence Exam: A brief study guide An affordable, efficient resource to prepare for the Texas Medical Jurisprudence Exam, required for physician licensure in Texas.