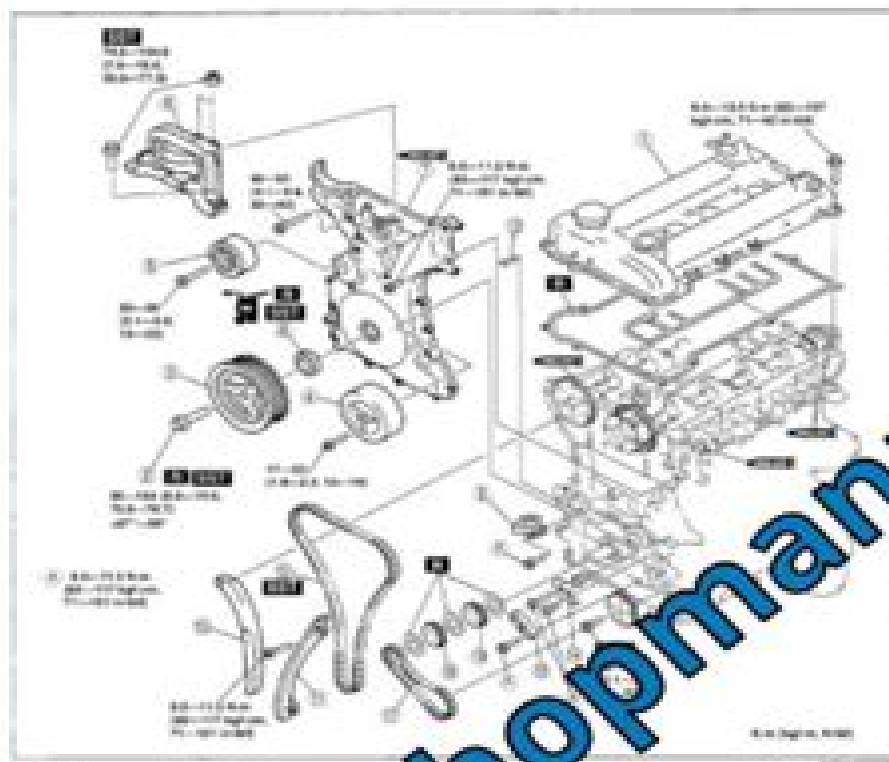


Mazda 3 2004-2009 Workshop Manual



1	Cylinder head cover (Mazda) 158-12 Cylinder Head Cover Removal Note.) (Mazda) 158-18 Cylinder Head Cover Installation Note.)	10	Oil pump chain sprocket (Mazda) 158-16 Oil Pump Chain Sprocket Removal Note.) (Mazda) 158-18 Oil Pump Chain Sprocket Installation Note.)
2	Camshaft pulley bolt (oil) (Mazda) 158-12 Crankshaft Pulley Bolt Removal Note.)	11	Oil pump chain guide
3	Camshaft pulley (Mazda) 158-18 Crankshaft Pulley Bolt Removal Note.)	12	Oil pump chain sprocket (Mazda) 158-16 Oil Pump Chain Sprocket Removal Note.) (Mazda) 158-18 Oil Pump Chain Sprocket Installation Note.)
4	Camshaft pulley nut (Mazda) 158-12 Crankshaft Pulley Bolt Removal Note.)	13	Oil pump chain sprocket (Mazda) 158-16 Oil Pump Chain Sprocket Removal Note.) (Mazda) 158-18 Oil Pump Chain Sprocket Installation Note.)
5	Camshaft pulley (Mazda) 158-18 Crankshaft Pulley Bolt Removal Note.)	14	Oil pump chain sprocket (Mazda) 158-16 Oil Pump Chain Sprocket Removal Note.) (Mazda) 158-18 Oil Pump Chain Sprocket Installation Note.)
6	Camshaft pulley nut (Mazda) 158-12 Crankshaft Pulley Bolt Removal Note.)	15	Oil pump chain sprocket (Mazda) 158-16 Oil Pump Chain Sprocket Removal Note.) (Mazda) 158-18 Oil Pump Chain Sprocket Installation Note.)
7	Camshaft pulley (Mazda) 158-18 Crankshaft Pulley Bolt Removal Note.)	16	Oil pump chain sprocket (Mazda) 158-16 Oil Pump Chain Sprocket Removal Note.) (Mazda) 158-18 Oil Pump Chain Sprocket Installation Note.)
8	Camshaft pulley nut (Mazda) 158-12 Crankshaft Pulley Bolt Removal Note.)	17	Oil pump chain sprocket (Mazda) 158-16 Oil Pump Chain Sprocket Removal Note.) (Mazda) 158-18 Oil Pump Chain Sprocket Installation Note.)
9	Camshaft pulley (Mazda) 158-18 Crankshaft Pulley Bolt Removal Note.)	18	Oil pump chain sprocket (Mazda) 158-16 Oil Pump Chain Sprocket Removal Note.) (Mazda) 158-18 Oil Pump Chain Sprocket Installation Note.)

26. Install the exhaust manifold sprocket.

Caution

- Do not tighten the camshaft sprocket installation bolt at this stage. Verify the valve timing before performing the bolt tightening.

26. Install the SST on the camshaft sprocket.

26. Remove the installation bolt from the cover upper blind plug. (Mazda) 158-12 Crankshaft Pulley Bolt Removal Note.)

27. Rotate the crankshaft clockwise two turns and verify that the top of the T/C of the compression stroke of the piston rings contacts the T/C of the exhaust manifold sprocket.

27. Tighten the exhaust manifold sprocket using a wrench on the hexagonal nut, and tighten the sprocket installation bolt.

Tightening torque
 26—75 N·m (2.1—7.5 kgf·m, 21—65 ft·lb)

28. Remove the SST from the camshaft.

29. Remove the SST installed in the cylinder block cover blind plug hole.

30. Rotate the crankshaft clockwise two turns and repeat the valve timing.

- If it is not aligned, repeat the procedure.

31. Apply the silicone sealant and install the engine front cover upper blind plug.

Tightening torque
 2.0—11.5 N·m (0.2—1.17 kgf·cm, 71—101 in·oz)

37. Install the cylinder block lower blind plug.

Tightening torque
 15—22 N·m (1.5—2.2 kgf·m, 14—19 ft·lb)

PDF
 DOWNLOAD

Mazda E200199repair Manual

Sebastian Brünink



Mazda E200199repair Manual:

Whispering the Secrets of Language: An Mental Quest through **Mazda E200199repair Manual**

In a digitally-driven earth where displays reign supreme and immediate interaction drowns out the subtleties of language, the profound strategies and emotional nuances hidden within phrases often go unheard. However, nestled within the pages of **Mazda E200199repair Manual** a fascinating fictional prize pulsing with organic feelings, lies an extraordinary quest waiting to be undertaken. Written by a talented wordsmith, that charming opus encourages visitors on an introspective journey, softly unraveling the veiled truths and profound impact resonating within the very cloth of each word. Within the psychological depths of the poignant review, we shall embark upon a genuine exploration of the book is core themes, dissect its captivating writing style, and fail to the powerful resonance it evokes deep within the recesses of readers hearts.

<https://staging.conocer.cide.edu/results/publication/HomePages/gary%20fisher%20owners%20manual.pdf>

Table of Contents Mazda E200199repair Manual

1. Understanding the eBook Mazda E200199repair Manual
 - The Rise of Digital Reading Mazda E200199repair Manual
 - Advantages of eBooks Over Traditional Books
2. Identifying Mazda E200199repair Manual
 - Exploring Different Genres
 - Considering Fiction vs. Non-Fiction
 - Determining Your Reading Goals
3. Choosing the Right eBook Platform
 - Popular eBook Platforms
 - Features to Look for in an Mazda E200199repair Manual
 - User-Friendly Interface
4. Exploring eBook Recommendations from Mazda E200199repair Manual
 - Personalized Recommendations
 - Mazda E200199repair Manual User Reviews and Ratings

- Mazda E200199repair Manual and Bestseller Lists
- 5. Accessing Mazda E200199repair Manual Free and Paid eBooks
 - Mazda E200199repair Manual Public Domain eBooks
 - Mazda E200199repair Manual eBook Subscription Services
 - Mazda E200199repair Manual Budget-Friendly Options
- 6. Navigating Mazda E200199repair Manual eBook Formats
 - ePub, PDF, MOBI, and More
 - Mazda E200199repair Manual Compatibility with Devices
 - Mazda E200199repair Manual Enhanced eBook Features
- 7. Enhancing Your Reading Experience
 - Adjustable Fonts and Text Sizes of Mazda E200199repair Manual
 - Highlighting and Note-Taking Mazda E200199repair Manual
 - Interactive Elements Mazda E200199repair Manual
- 8. Staying Engaged with Mazda E200199repair Manual
 - Joining Online Reading Communities
 - Participating in Virtual Book Clubs
 - Following Authors and Publishers Mazda E200199repair Manual
- 9. Balancing eBooks and Physical Books Mazda E200199repair Manual
 - Benefits of a Digital Library
 - Creating a Diverse Reading Collection Mazda E200199repair Manual
- 10. Overcoming Reading Challenges
 - Dealing with Digital Eye Strain
 - Minimizing Distractions
 - Managing Screen Time
- 11. Cultivating a Reading Routine Mazda E200199repair Manual
 - Setting Reading Goals Mazda E200199repair Manual
 - Carving Out Dedicated Reading Time
- 12. Sourcing Reliable Information of Mazda E200199repair Manual
 - Fact-Checking eBook Content of Mazda E200199repair Manual
 - Distinguishing Credible Sources

13. Promoting Lifelong Learning
 - Utilizing eBooks for Skill Development
 - Exploring Educational eBooks
14. Embracing eBook Trends
 - Integration of Multimedia Elements
 - Interactive and Gamified eBooks

Mazda E200199repair Manual Introduction

Mazda E200199repair Manual Offers over 60,000 free eBooks, including many classics that are in the public domain. Open Library: Provides access to over 1 million free eBooks, including classic literature and contemporary works. Mazda E200199repair Manual Offers a vast collection of books, some of which are available for free as PDF downloads, particularly older books in the public domain. Mazda E200199repair Manual : This website hosts a vast collection of scientific articles, books, and textbooks. While it operates in a legal gray area due to copyright issues, its a popular resource for finding various publications. Internet Archive for Mazda E200199repair Manual : Has an extensive collection of digital content, including books, articles, videos, and more. It has a massive library of free downloadable books. Free-eBooks Mazda E200199repair Manual Offers a diverse range of free eBooks across various genres. Mazda E200199repair Manual Focuses mainly on educational books, textbooks, and business books. It offers free PDF downloads for educational purposes. Mazda E200199repair Manual Provides a large selection of free eBooks in different genres, which are available for download in various formats, including PDF. Finding specific Mazda E200199repair Manual, especially related to Mazda E200199repair Manual, might be challenging as theyre often artistic creations rather than practical blueprints. However, you can explore the following steps to search for or create your own Online Searches: Look for websites, forums, or blogs dedicated to Mazda E200199repair Manual, Sometimes enthusiasts share their designs or concepts in PDF format. Books and Magazines Some Mazda E200199repair Manual books or magazines might include. Look for these in online stores or libraries. Remember that while Mazda E200199repair Manual, sharing copyrighted material without permission is not legal. Always ensure youre either creating your own or obtaining them from legitimate sources that allow sharing and downloading. Library Check if your local library offers eBook lending services. Many libraries have digital catalogs where you can borrow Mazda E200199repair Manual eBooks for free, including popular titles. Online Retailers: Websites like Amazon, Google Books, or Apple Books often sell eBooks. Sometimes, authors or publishers offer promotions or free periods for certain books. Authors Website Occasionally, authors provide excerpts or short stories for free on their websites. While this might not be the Mazda E200199repair Manual full book , it can give you a taste of the authors writing style. Subscription Services Platforms like

Kindle Unlimited or Scribd offer subscription-based access to a wide range of Mazda E200199repair Manual eBooks, including some popular titles.

FAQs About Mazda E200199repair Manual Books

What is a Mazda E200199repair Manual PDF? A PDF (Portable Document Format) is a file format developed by Adobe that preserves the layout and formatting of a document, regardless of the software, hardware, or operating system used to view or print it. **How do I create a Mazda E200199repair Manual PDF?** There are several ways to create a PDF: Use software like Adobe Acrobat, Microsoft Word, or Google Docs, which often have built-in PDF creation tools. **Print to PDF:** Many applications and operating systems have a "Print to PDF" option that allows you to save a document as a PDF file instead of printing it on paper. **Online converters:** There are various online tools that can convert different file types to PDF. **How do I edit a Mazda E200199repair Manual PDF?** Editing a PDF can be done with software like Adobe Acrobat, which allows direct editing of text, images, and other elements within the PDF. Some free tools, like PDFescape or Smallpdf, also offer basic editing capabilities. **How do I convert a Mazda E200199repair Manual PDF to another file format?** There are multiple ways to convert a PDF to another format: Use online converters like Smallpdf, Zamzar, or Adobe Acrobat's export feature to convert PDFs to formats like Word, Excel, JPEG, etc. Software like Adobe Acrobat, Microsoft Word, or other PDF editors may have options to export or save PDFs in different formats. **How do I password-protect a Mazda E200199repair Manual PDF?** Most PDF editing software allows you to add password protection. In Adobe Acrobat, for instance, you can go to "File" -> "Properties" -> "Security" to set a password to restrict access or editing capabilities. **Are there any free alternatives to Adobe Acrobat for working with PDFs?** Yes, there are many free alternatives for working with PDFs, such as: LibreOffice: Offers PDF editing features. PDFsam: Allows splitting, merging, and editing PDFs. Foxit Reader: Provides basic PDF viewing and editing capabilities. **How do I compress a PDF file?** You can use online tools like Smallpdf, ILovePDF, or desktop software like Adobe Acrobat to compress PDF files without significant quality loss. Compression reduces the file size, making it easier to share and download. **Can I fill out forms in a PDF file?** Yes, most PDF viewers/editors like Adobe Acrobat, Preview (on Mac), or various online tools allow you to fill out forms in PDF files by selecting text fields and entering information. **Are there any restrictions when working with PDFs?** Some PDFs might have restrictions set by their creator, such as password protection, editing restrictions, or print restrictions. Breaking these restrictions might require specific software or tools, which may or may not be legal depending on the circumstances and local laws.

Find Mazda E200199repair Manual :

gary fisher owners manual

garmin gns 430w installation manual

gardner denver 4x5 manual

garmin 310 nuvi gps manual

gate mechanical engineering solved paper

garmin nuvi 1350 lmt manual

gardtec 300 engineer manual

gateway gt5654 manual

gardner 6lxct workshop manual

gas laws magic square answer key

gate test preparation 6th grade

gateway console manual

gardner denver manual model dp300

gasoline service station training manual

garelli workshop manual

Mazda E200199repair Manual :

grace and fury series by tracy banghart goodreads - Aug 15 2023

web book 1 grace and fury by tracy banghart 3 81 13 123 ratings 2 697 reviews published 2018 50 editions in a world where women have no rights sisters ser want to read rate it book 2 queen of ruin by tracy banghart 3 83 5 278 ratings 842 reviews published 2019 35 editions a fierce sequel full of sisterhood heart pounding

review grace and fury noveltea corner - Jan 28 2022

web aug 17 2018 title grace and fury author tracy banghart published august 2018 publisher hachette children s books readership young adult genre fantasy dystopian rating i received a copy of grace and fury from netgalley in exchange for a fair and honest review all thoughts and opinions are my own bold brutal and beautiful this

grace and fury by tracy banghart reader voracious - Jun 01 2022

web jul 19 2018 grace and fury is young adult fantasy told in the alternating perspectives of two sisters serina and nomi from lanos serina is 19 classically beautiful trained in dancing music lessons etiquette think aristocracy leading up to a girl s

debut to society kind of training she has been told all her life that the way to help her family

[what happened in grace and fury by tracy banghart](#) - Apr 11 2023

web nov 30 2018 read a full summary of grace and fury the first book in the grace and fury series this page is full of spoilers so beware if you are looking for a spoiler free review check our rapid review if you need a refresher on what happened in grace and fury then you are in the right place author tracy banghart ratings 4 0 stars on

grace and fury banghart tracy amazon com tr kitap - Jan 08 2023

web grace and fury banghart tracy amazon com tr kitap Çerez tercihlerinizi seçin Çerez bildirimimizde detaylandırıldıği üzere satın alım yapmanızı sağlamak alışveriş deneyiminizi geliştirmek ve hizmetlerimizi sunmak için gerekli olan çerezleri ve **grace and fury grace and fury series 1 barnes noble** - Jun 13 2023

web jun 4 2019 overview bold brutal and beautiful this must read fantasy is full of fierce sisterhood action and political intrigue for fans of the selection series caraval and the handmaid s tale serina tessaro has been groomed her whole life to become a grace someone to stand by the heir to the throne as a shining subjugated example of

[grace and fury grace and fury 1 amazon com](#) - Jul 14 2023

web jul 31 2018 fierce feminist fantasy from tracy banghart a fierce fantasy sequel full of sisterhood heart pounding action betrayal and royal intrigue perfect for fans of caraval furyborn meets a curse so dark and lonely in this thrilling fantasy about two girls coming together to protect their beloved kingdom

grace and fury tracy banghart howling libraries - Nov 06 2022

web jul 25 2018 title grace and fury author tracy banghart series untitled series 1 releases july 31st 2018 little brown books for young readers genre fantasy age range ya synopsis in a world where women have no rights sisters serina and nomi tessaro face two very different fates one in the palace the other in prison

grace and fury reader q a goodreads - Feb 09 2023

web readers questions about grace and fury grace and fury 1 11 questions answered

grace and fury tome 1 grace and fury fnac - Sep 04 2022

web grace and fury tome 1 grace and fury tracy banghart alice delarbre hachette romans des milliers de livres avec la livraison chez vous en 1 jour ou en magasin avec 5 de réduction ou téléchargez la version ebook

grace and fury tome 1 fleurs de fer tracy banghart babelio - May 12 2023

web sep 21 2022 résumé depuis toujours serina a été formée pour devenir une grâce et satisfaire le prince héritier s il la choisit sa sœur nomi elle a été entraînée pour servir serina et l aider à séduire le prince quand le jour de la sélection des grâces arrive enfin rien ne se passe comme prévu

[grace and fury tome 1 grace and fury tome 1 fleurs de](#) - Oct 05 2022

web sep 21 2022 résumé voir tout À viridia les femmes n ont pas le droit de lire pas non plus le droit de choisir leur mari leur métier leur avenir ni d avoir des idées depuis toujours serina a été formée pour devenir une grâce et

[book review grace and fury madison s library](#) - Mar 30 2022

web jul 24 2018 synopsis in a world where women have no rights sisters serina and nomi face two very different fates one in the palace the other on an island prison where women must fight to survive

[pdf epub grace and fury grace and fury 1 download](#) - Mar 10 2023

web oct 13 2022 in a world where women have no rights sisters serina and nomi tessaro face two very different fates one in the palace the other in prison serina has been groomed her whole life to become a grace someone to stand by the heir to the throne as a shining subjugated example of the perfect woman

[grace and fury diva booknerd](#) - Apr 30 2022

web sep 4 2018 the essence of grace and fury is liberation against the patriarchy and oppression of women although a grace serina is a resilient young woman accused of concealing forbidden literature and removed as the appointed handmaiden incarcerated on mount ruin an island prison for women ostracised from society nomi is reluctantly

grace and fury by tracy banghart novl - Feb 26 2022

web bold brutal and beautiful a must read fantasy full of fierce sisterhood action and political intrigue for fans of the belles caraval and the handmaid s tale now in paperback

grace and fury nevertheless they persisted traversing - Dec 07 2022

web aug 7 2018 grace and fury nevertheless they persisted august 7 2018 every month i make a list of 8 books that sound worth reading last month grace and fury described as a feminist story about two sisters was one of those

grace and fury literature tv tropes - Aug 03 2022

web grace and fury is a two book series written by tracy banghart the first book grace and fury was published in 2018 the sequel queen of ruin in 2019 in the misogynistic land of viridia where learning to read can send a woman to prison the greatest dream of most girls is to be chosen as graces and become concubines of the future king

loading interface goodreads - Dec 27 2021

web discover and share books you love on goodreads

queen of ruin grace and fury amazon com tr - Jul 02 2022

web queen of ruin grace and fury banghart tracy amazon com tr kitap Çerez tercihlerinizi seçin Çerez bildirimimizde ayrıntılı şekilde açıklandığı üzere alışveriş yapmanızı sağlamak alışveriş deneyiminizi iyileştirmek ve hizmetlerimizi sunmak için gerekli olan çerezleri ve benzer araçları kullanırız

sogno di un bianco natale un amore di natale vol 1 italian edition - Mar 16 2023

web aug 21 2020 sogno di un bianco natale un amore di natale vol 1 italian edition kindle edition by hatler susan download it once and read it on your kindle device pc phones or tablets use features like bookmarks note taking and highlighting while reading sogno di un bianco natale un amore di natale vol 1 italian edition

sogno di natale anna s archive - Oct 11 2022

web italian it epub 0 3mb luigi pirandello sogno di natale 2021 garzanti classici epub

sogno di natale italian edition paperback december 2 2019 - Jul 20 2023

web dec 2 2019 amazon com sogno di natale italian edition 9781710484175 andrews keira andrews keira mian micol books

sogno di un bianco natale un amore di natale vol 1 italian edition - Mar 04 2022

web md5 of a better version of this file if applicable fill this in if there is another file that closely matches this file same edition same file extension if you can find one which people should use instead of this file if you know of a better version of this file outside of anna s archive then please upload it

sogno translate italian to english cambridge dictionary - Apr 05 2022

web sogno translate into english with the italian english dictionary cambridge dictionary

sogno di natale novella di luigi pirandello pubblicata nel 1896 - Aug 21 2023

web jul 15 2023 sogno di natale novella prima pubblicazione rassegna settimanale universale 27 dicembre 1896 ero già entrato così inavvertitamente nel sonno e sognavo e nel sogno per quelle vie deserte mi parve a un tratto d incontrar gesù errante in quella stessa notte in cui il mondo per uso festeggia ancora il suo natale

sogno di natale san francesco e il presepe italian edition - Dec 13 2022

web sogno di natale san francesco e il presepe italian edition scarpelli giulia amazon sg books

[andrea bocelli sogno lyrics english translation](#) - May 06 2022

web sep 3 2012 me thinking again and i will accompany you moving the cities i m already here and i dream things that i don t know about you where will be the way that makes your return i dream i will wait here and steal the kisses in the time i dream

sogno di natale italian edition kindle edition amazon de - Jan 14 2023

web sogno di natale italian edition ebook pirandello luigi amazon de kindle store

sogno di natale italian edition kindle edition amazon com au - Apr 17 2023

web sogno di natale italian edition ebook keira andrews amazon com au kindle store

[sogno di natale italian edition kindle edition amazon com](#) - Sep 22 2023

web nov 25 2021 sogno di natale italian edition kindle edition by pirandello luigi download it once and read it on your kindle device pc phones or tablets use features like bookmarks note taking and highlighting while reading sogno di natale italian

edition

[sogno di natale italian edition by keira andrews goodreads](#) - Oct 23 2023

web read 436 reviews from the world s largest community for readers to be home for christmas they must bridge the distance between them charlie yates is de

[sogno di natale e altri racconti luigi pirandello libro](#) - Sep 10 2022

web sogno di natale e altri racconti è un libro di luigi pirandello pubblicato da interlinea nella collana nativitas acquista su ibs a 8 00 la parlata di girgenti tornato in italia nel 1892 e stabilitosi a roma grazie a luigi capuana strinse contatti con la cultura militante

[sogno di natale italian edition pdf files climagic](#) - Jun 07 2022

web canti e racconti del popolo italiano sogno di natale italian edition downloaded from files climagic org by guest sidney zayden encyclopedia of italian literary studies baldini castoldi questo volume raccoglie gli atti del secondo convegno di studi sull italia organizzato dal dipartimento di italiano e serbo

il sogno di natale italian edition ebook amazon nl - Nov 12 2022

web il sogno di natale italian edition ebook papagni rossana battistel cinzia amazon nl kindle store

[sogno di natale italian edition andrews keira amazon sg](#) - Jun 19 2023

web hello sign in account lists returns orders cart

il sogno di natale italian edition kindle edition by papagni - Feb 15 2023

web sep 8 2020 il sogno di natale italian edition kindle edition by papagni rossana battistel cinzia download it once and read it on your kindle device pc phones or tablets use features like bookmarks note taking and highlighting while reading il sogno di natale italian edition

il libraio natale 2023 italian edition by aa vv goodreads - Jul 08 2022

web nov 15 2023 il numero di natale 2023 è come sempre ricco di novità dal nuovo romanzo di donato carrisi l educazione delle farfalle in cui ancora una volta il maestro italiano del thriller ci sfida fino all ultima pagina a risolvere un mistero alla nuova storia di clara sánchez il primo respiro dopo la pioggia che ci parla di perdono

novelle di natale italian edition by luigi pirandello goodreads - Aug 09 2022

web dec 6 2017 december 30 2021 sei brevi racconti ambientati durante il periodo natalizio scritti in epoche diverse prima e durante la prima guerra mondiale inerenti vari temi sulla fede sull importanza e sul significato delle festività sulla

sogno di natale italian edition kindle edition amazon nl - May 18 2023

web sogno di natale italian edition ebook pirandello luigi amazon nl kindle store

[nissan serena workshop manual manuals online emanualonline](#) - Aug 11 2022

web nissan serena workshop manual covers 1993 2002 c23 series engines sr ga 1 6 2 0 16v ld 2 0 diesel complete workshop manual for the nissan serena includes detailed pictures information and step by step procedures for

nissan workshop repair owners manuals 100 free - Jan 04 2022

web our nissan automotive repair manuals are split into five broad categories nissan workshop manuals nissan owners manuals nissan wiring diagrams nissan sales brochures and general miscellaneous nissan downloads the vehicles with the most documents are the other model pathfinder and sentra

nissan serena service repair manuals on motor era - Apr 19 2023

web motor era offers service repair manuals for your nissan serena download your manual now nissan serena service repair manuals complete list of nissan serena auto service repair manuals nissan vanette serena 1991 06 1999 06 c23 parts list catalogue manual view webpages download pdf url nissan serena

nissan serena repair service manuals 7 pdf s nissan serena - Jul 10 2022

web nissan serena workshop instruction covering metallic fluids and tyre pressures nissan serena service pdf s coverings routine maintenance and servicing detailed nissan serena engine and associates service product for repairs and overhaul pdf nissan serena transmission data service manual pdf nissan zarina brakes and shock pdf

nissan workshop and owners manuals free car repair manuals - Feb 17 2023

web nissan workshop repair manuals owners manuals and other free downloads please select your nissan vehicle below nissan serena c23 nissan silvia nissan skyline nissan skyline gt r r33 nissan skyline gt r r34 nissan stanza nissan sunny nissan teana j32 nissan terrano nissan tiida

nissan serena workshop manual ca031847 - Dec 15 2022

web this nissan serena workshop manual ca031847 provides detailed instructions illustrations and diagrams for service repair and maintenance of your 1993 2002 nissan serena it covers all topics from changing a light bulb to a full engine rebuild

7 nissan serena workshop owners service and repair manuals - Nov 14 2022

web nissan serena workshop managers service either repair manuals free no ads

nissan serena repair service manuals 7 pdf s - Jul 22 2023

web nissan serena owners manual covering weekly checks nissan serena workshop manual covering lubricants fluids and tyre pressures nissan serena service pdf s covering routine maintenance and servicing detailed nissan serena engine and associated service systems for repairs and overhaul pdf nissan serena

1991 2002 nissan serena model C23 series workshop repair - May 08 2022

web 1991 2002 nissan serena model C23 series workshop repair service manual best download download link please

download this pdf first to open the link 1991 2002 nissan serena model C23 series workshop repair service manual best download this highly detailed manual for your 1991 1992 1993 1994 1995 1996 1997 1998 1999

nissan serena c23 workshop repair manual wiring diagrams - Apr 07 2022

web click here for sample manual nissan serena c23 workshop service repair manual wiring diagrams english service manual and wiring diagrams to vehicles nissan serena c23 contents 01 general 02 maintenance 03 engine mechanical 04 engine cooling and lubrication 05 engine fuel and

nissan serena c26 workshop maintenance manual auto workshop - Jun 21 2023

web this nissan serena c26 workshop maintenance manual information includes steering lights and danger warning lights automatic transmission control system remove and install the throttle control unit disassembly and installation timing setting door lock skylight remote lock setting engine transmission circuit diagram

minibus nissan serena workshop repair and service manuals - Sep 12 2022

web minibus nissan serena workshop repair and service manuals user guides and owners manuals download free 54 9 mb service and repair manual for minibuses nissan vanette

nissan serena factory service repair manuals cardiagn - Jan 16 2023

web free online pdf for nissan serena workshop manuals nissan serena oem repair manuals nissan serena shop manuals nissan serena electrical wiring diagrams ewd free online service and repair manuals

2022 2024 nissan serena e power workshop service repair manual - Mar 06 2022

web nissan serena e power workshop service repair manual wiring diagram nissan esm serena c28 workshop documentation oem nissan technical information availability in stock 880 00

nissan serena pdf workshop repair manuals on youfixcars com - Mar 18 2023

web you fix cars has auto service repair manuals for your nissan serena download your manual now nissan serena service repair manuals complete list of nissan serena auto service repair manuals nissan vanette serena 1991 06 1999 06 c23 parts list catalogue manual view webpages download pdf url nissan serena

nissan serena workshop repair manual download pdf - May 20 2023

web nissan serena workshop repair manual pdf the same nissan serena manual used by all nissan dealer garages worldwide years covered 1991 to 2001 language english compatibility the nissan serena workshop repair manual is compatible with all operating systems and devices instant download

nissan serena c24 repair manual index pdf brake scribd - Oct 13 2022

web the manual contains detailed instructions for maintenance diagnosis repair and adjustment of engines and engine management systems brake systems including anti lock abs automatic transmission active vehicle

nissan serena owner s and service manuals online - Jun 09 2022

web manufacturers nissan serena nissan serena owner s and service manuals online download pdf nissan serena owner s manuals and service manuals for online browsing and download search through 4769 nissan manuals online for free carmanualsonline info is the largest free online database of nissan user manuals

serena japanese import c24 service manual nissan forum - Feb 05 2022

web dec 5 2021 lots of people have wanted to know where to find a manual for the c24 serena the only one is russian and can be downloaded at nissan serena c24

nissan serena free workshop and repair manuals - Aug 23 2023

web nissan serena workshop repair and owners manuals for all years and models free pdf download for thousands of cars and trucks