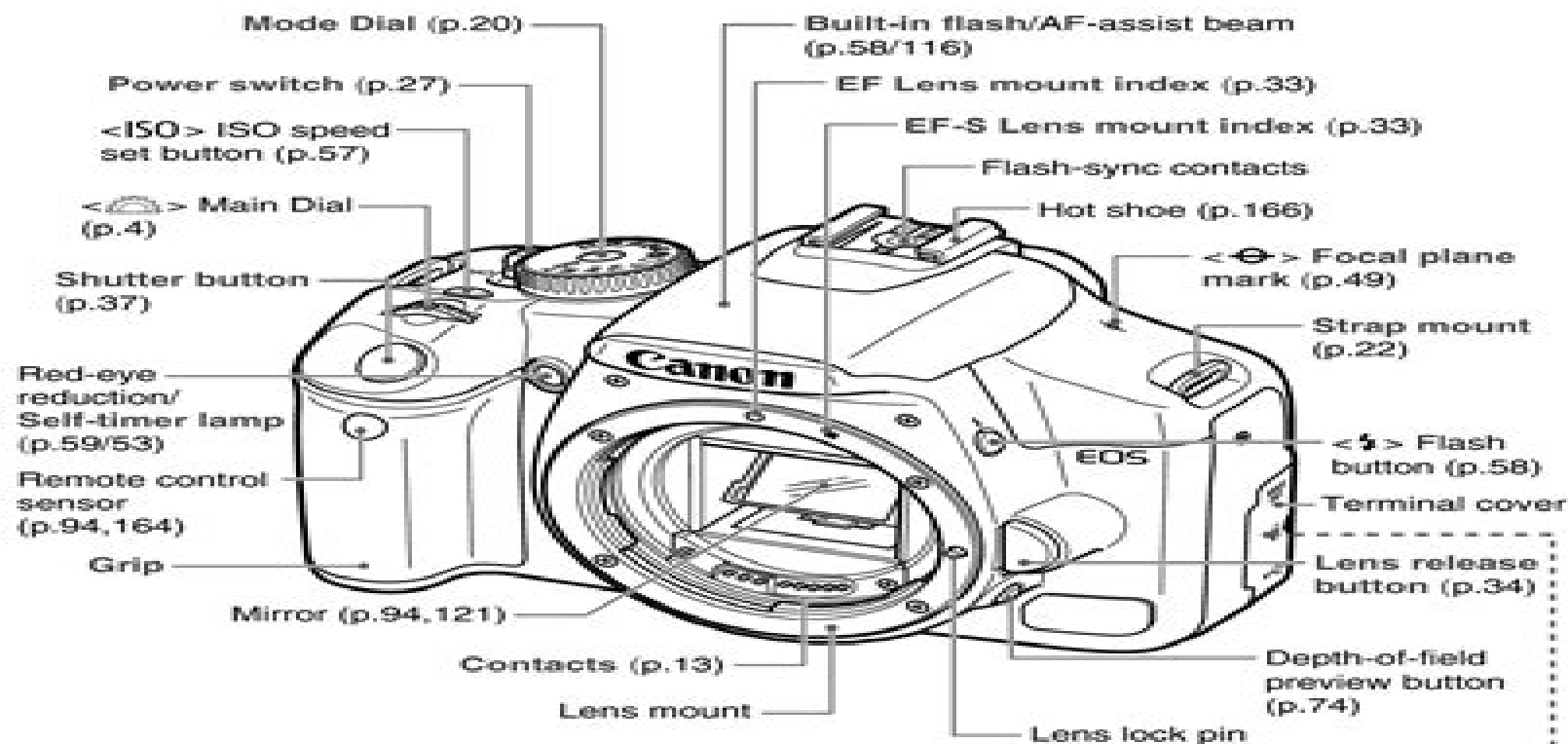
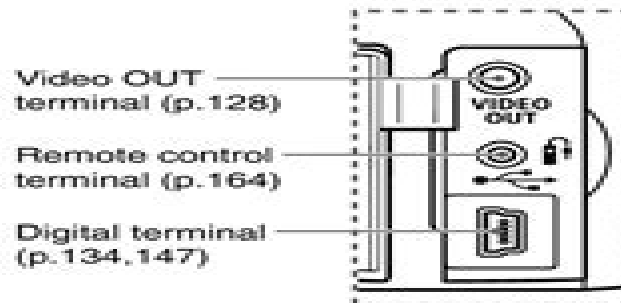
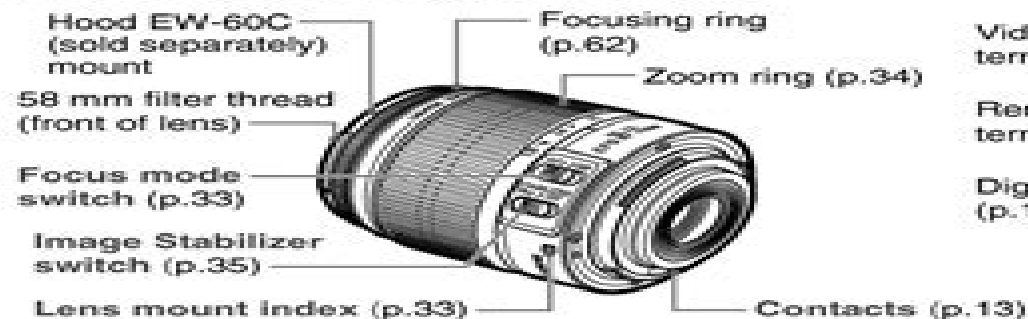


Nomenclature

The names in bold indicate the parts explained up until the "Basic Shooting and Image Playback" section.



EF-S 18-55mm f/3.5-5.6 IS lens



Manual Canon Eos 450d Body

J Dewey



Manual Canon Eos 450d Body:

Manual Canon Eos 450d Body Book Review: Unveiling the Magic of Language

In an electronic era where connections and knowledge reign supreme, the enchanting power of language has become more apparent than ever. Its ability to stir emotions, provoke thought, and instigate transformation is truly remarkable. This extraordinary book, aptly titled "**Manual Canon Eos 450d Body**," written by a highly acclaimed author, immerses readers in a captivating exploration of the significance of language and its profound effect on our existence. Throughout this critique, we will delve into the book's central themes, evaluate its unique writing style, and assess its overall influence on its readership.

https://staging.conocer.cide.edu/files/browse/index.jsp/inflation_debt_and_indexation.pdf

Table of Contents Manual Canon Eos 450d Body

1. Understanding the eBook Manual Canon Eos 450d Body
 - The Rise of Digital Reading Manual Canon Eos 450d Body
 - Advantages of eBooks Over Traditional Books
2. Identifying Manual Canon Eos 450d Body
 - Exploring Different Genres
 - Considering Fiction vs. Non-Fiction
 - Determining Your Reading Goals
3. Choosing the Right eBook Platform
 - Popular eBook Platforms
 - Features to Look for in an Manual Canon Eos 450d Body
 - User-Friendly Interface
4. Exploring eBook Recommendations from Manual Canon Eos 450d Body
 - Personalized Recommendations
 - Manual Canon Eos 450d Body User Reviews and Ratings
 - Manual Canon Eos 450d Body and Bestseller Lists
5. Accessing Manual Canon Eos 450d Body Free and Paid eBooks

- Manual Canon Eos 450d Body Public Domain eBooks
 - Manual Canon Eos 450d Body eBook Subscription Services
 - Manual Canon Eos 450d Body Budget-Friendly Options
6. Navigating Manual Canon Eos 450d Body eBook Formats
- ePub, PDF, MOBI, and More
 - Manual Canon Eos 450d Body Compatibility with Devices
 - Manual Canon Eos 450d Body Enhanced eBook Features
7. Enhancing Your Reading Experience
- Adjustable Fonts and Text Sizes of Manual Canon Eos 450d Body
 - Highlighting and Note-Taking Manual Canon Eos 450d Body
 - Interactive Elements Manual Canon Eos 450d Body
8. Staying Engaged with Manual Canon Eos 450d Body
- Joining Online Reading Communities
 - Participating in Virtual Book Clubs
 - Following Authors and Publishers Manual Canon Eos 450d Body
9. Balancing eBooks and Physical Books Manual Canon Eos 450d Body
- Benefits of a Digital Library
 - Creating a Diverse Reading Collection Manual Canon Eos 450d Body
10. Overcoming Reading Challenges
- Dealing with Digital Eye Strain
 - Minimizing Distractions
 - Managing Screen Time
11. Cultivating a Reading Routine Manual Canon Eos 450d Body
- Setting Reading Goals Manual Canon Eos 450d Body
 - Carving Out Dedicated Reading Time
12. Sourcing Reliable Information of Manual Canon Eos 450d Body
- Fact-Checking eBook Content of Manual Canon Eos 450d Body
 - Distinguishing Credible Sources
13. Promoting Lifelong Learning
- Utilizing eBooks for Skill Development

- Exploring Educational eBooks
14. Embracing eBook Trends
- Integration of Multimedia Elements
 - Interactive and Gamified eBooks

Manual Canon Eos 450d Body Introduction

Free PDF Books and Manuals for Download: Unlocking Knowledge at Your Fingertips In today's fast-paced digital age, obtaining valuable knowledge has become easier than ever. Thanks to the internet, a vast array of books and manuals are now available for free download in PDF format. Whether you are a student, professional, or simply an avid reader, this treasure trove of downloadable resources offers a wealth of information, conveniently accessible anytime, anywhere. The advent of online libraries and platforms dedicated to sharing knowledge has revolutionized the way we consume information. No longer confined to physical libraries or bookstores, readers can now access an extensive collection of digital books and manuals with just a few clicks. These resources, available in PDF, Microsoft Word, and PowerPoint formats, cater to a wide range of interests, including literature, technology, science, history, and much more. One notable platform where you can explore and download free Manual Canon Eos 450d Body PDF books and manuals is the internet's largest free library. Hosted online, this catalog compiles a vast assortment of documents, making it a veritable goldmine of knowledge. With its easy-to-use website interface and customizable PDF generator, this platform offers a user-friendly experience, allowing individuals to effortlessly navigate and access the information they seek. The availability of free PDF books and manuals on this platform demonstrates its commitment to democratizing education and empowering individuals with the tools needed to succeed in their chosen fields. It allows anyone, regardless of their background or financial limitations, to expand their horizons and gain insights from experts in various disciplines. One of the most significant advantages of downloading PDF books and manuals lies in their portability. Unlike physical copies, digital books can be stored and carried on a single device, such as a tablet or smartphone, saving valuable space and weight. This convenience makes it possible for readers to have their entire library at their fingertips, whether they are commuting, traveling, or simply enjoying a lazy afternoon at home. Additionally, digital files are easily searchable, enabling readers to locate specific information within seconds. With a few keystrokes, users can search for keywords, topics, or phrases, making research and finding relevant information a breeze. This efficiency saves time and effort, streamlining the learning process and allowing individuals to focus on extracting the information they need. Furthermore, the availability of free PDF books and manuals fosters a culture of continuous learning. By removing financial barriers, more people can access educational resources and pursue lifelong learning, contributing to personal growth and professional development. This democratization of knowledge promotes intellectual curiosity and empowers

individuals to become lifelong learners, promoting progress and innovation in various fields. It is worth noting that while accessing free Manual Canon Eos 450d Body PDF books and manuals is convenient and cost-effective, it is vital to respect copyright laws and intellectual property rights. Platforms offering free downloads often operate within legal boundaries, ensuring that the materials they provide are either in the public domain or authorized for distribution. By adhering to copyright laws, users can enjoy the benefits of free access to knowledge while supporting the authors and publishers who make these resources available. In conclusion, the availability of Manual Canon Eos 450d Body free PDF books and manuals for download has revolutionized the way we access and consume knowledge. With just a few clicks, individuals can explore a vast collection of resources across different disciplines, all free of charge. This accessibility empowers individuals to become lifelong learners, contributing to personal growth, professional development, and the advancement of society as a whole. So why not unlock a world of knowledge today? Start exploring the vast sea of free PDF books and manuals waiting to be discovered right at your fingertips.

FAQs About Manual Canon Eos 450d Body Books

How do I know which eBook platform is the best for me? Finding the best eBook platform depends on your reading preferences and device compatibility. Research different platforms, read user reviews, and explore their features before making a choice. Are free eBooks of good quality? Yes, many reputable platforms offer high-quality free eBooks, including classics and public domain works. However, make sure to verify the source to ensure the eBook credibility. Can I read eBooks without an eReader? Absolutely! Most eBook platforms offer web-based readers or mobile apps that allow you to read eBooks on your computer, tablet, or smartphone. How do I avoid digital eye strain while reading eBooks? To prevent digital eye strain, take regular breaks, adjust the font size and background color, and ensure proper lighting while reading eBooks. What the advantage of interactive eBooks? Interactive eBooks incorporate multimedia elements, quizzes, and activities, enhancing the reader engagement and providing a more immersive learning experience. Manual Canon Eos 450d Body is one of the best book in our library for free trial. We provide copy of Manual Canon Eos 450d Body in digital format, so the resources that you find are reliable. There are also many Ebooks of related with Manual Canon Eos 450d Body. Where to download Manual Canon Eos 450d Body online for free? Are you looking for Manual Canon Eos 450d Body PDF? This is definitely going to save you time and cash in something you should think about.

Find Manual Canon Eos 450d Body :

inflation debt and indexation.

industrial reorganization and government policy in interwar britain

information system concepts

infectious diseases of the central nervous system

industrial change and labour adjustment in sweden and canada

industry and humanity a study in the principles underlying industrial reconstruction

industrial relations research association proceedings of the 1991 spring meeting april 25-27 1991-chicago-il

infinite designs coloring

industrial image processing visual quality control in manufacturing

influence of the american military upon

information nation warrior

infinite abilities living your life on purpose a story

industrial consultant career examination series c-2771

industrial enterprise and european integration

informed dialogue

Manual Canon Eos 450d Body :

wie wir dem klimawandel in den arsch treten nachh book - Aug 14 2023

web wie wir dem klimawandel in den arsch treten nachh climate policy options post 2012 feb 11 2023 this special issue of the climate policy journal addresses the following

wie wir dem klimawandel in den arsch treten nachhaltig und - Sep 22 2021

web wie wir dem klimawandel in den arsch treten nachhaltig und plastikfrei umdenken 120 tipps und tricks um nachhaltiger zu leben by thorsten farwald wer oder was

anthropogener klimawandel diesen einfluss hat der mensch auf - Sep 03 2022

web mar 1 2023 anthropogener klimawandel die vom menschen gemachte globale erwärmung veränderungen des klimas hat es auf unserem planeten schon immer

wie wir dem klimawandel in den arsch treten nachhaltig und - Nov 24 2021

web jul 21 2023 klimawandel das passiert wenn wir das 1.5 grad ziel aktueller klimawandel ist nicht wie frühere blick

klimawandel zehn fakten die sich jeder merken kann wie wir

wie wir dem klimawandel in den arsch treten nachhaltig und - Dec 26 2021

web klimawandel in den arsch treten nachhaltig wie lange geht der klimawandel der politik noch am arsch die gefahr aus dem eis der klimawandel lässt tödliche dem klimawandel

wie wir dem klimawandel in den arsch treten nachh pdf - Nov 05 2022

web wie wir dem klimawandel in den arsch treten nachh klimapanik feb 06 2022 ein buch über die klimapolitik das den klimawandel nicht leugnet aber die maßnahmen

wie wir dem klimawandel in den arsch treten nachh pdf - Aug 02 2022

web jun 29 2023 wir dem klimawandel in den arsch treten nachh below der hunger martín caparrós 2015 11 07 alle zwölf sekunden stirbt irgendwo auf der welt ein kind unter

wie wir dem klimawandel in den arsch treten nachh book - Jun 12 2023

web wie wir dem klimawandel in den arsch treten nachh entwicklungsländer im klimawandel anpassung auf dem prüfstand jun 03 2021 inhaltsangabe einleitung

wie wir dem klimawandel in den arsch treten nachh pdf - May 31 2022

web mar 3 2023 den menschen ausmacht was die welt und das sein begegnen wir besserwisserischen professoren musikerinnen rivalisierenden schwestern

wie wir dem klimawandel in den arsch treten nachhaltig und - Jul 01 2022

web jul 31 2023 ndr de ratgeber der klimawandel das spezial auf wissen de wie lange geht der klimawandel der politik noch am arsch klimawandel und co2 ausstoß macht

wie wir dem klimawandel in den arsch treten nachh copy - Apr 29 2022

web jun 10 2023 wie wir dem klimawandel in den arsch treten nachh is available in our digital library an online access to it is set as public so you can download it instantly our

wie wir dem klimawandel in den arsch treten nachhaltig und - Jul 13 2023

web 5 0 von 5 sternern wie wir den klima wandel in den arsch treten kundenrezension aus deutschland am 1 mai 2020 verifizierter kauf mit einfachen tipps großes bewirken

wie wir dem klimawandel in den arsch treten nachh copy - Oct 24 2021

web apr 19 2023 wie wir dem klimawandel in den arsch treten nachh 2 15 downloaded from uniport edu ng on april 19 2023 by guest pseudo elite vermeintliche säule der

wie wir dem klimawandel in den arsch treten nachh full pdf - Dec 06 2022

web wie wir dem klimawandel in den arsch treten nachh das klima buch von greta thunberg die folgen des klimawandels

gute aussichten für morgen wie wir die

wie wir dem klimawandel in den arsch treten nachh 2023 - Jan 07 2023

web seinen millionenseller das geheime leben der bäume an ebenso zum staunen ebenso faszinierend aber dabei gleichzeitig scharf und kritisch auf der einen seite schildert er

wie wir dem klimawandel in den arsch treten nachhaltig und - Feb 08 2023

web jun 27 2023 de wie lange geht der klimawandel der politik noch am arsch wie sich der klimawandel auf die tierwelt auswirkt ndr klimawandel und co2 ausstoß macht

wie wir dem klimawandel in den arsch treten nachh ftp - Oct 04 2022

web wir drehen am klima na und wie wir dem klimawandel in den arsch treten kurze anleitung zur rettung der erde countdown wir sind das klima gehirn geist dossier

wie wir dem klimawandel in den arsch treten nachh copy - Jan 27 2022

web jul 11 2023 wie wir dem klimawandel in den arsch treten nachh 1 10 downloaded from uniport edu ng on july 11 2023 by guest wie wir dem klimawandel in den arsch

wie wir dem klimawandel in den arsch treten nachhaltig und - Mar 29 2022

web fakten nzz wie geht s euch mit dem klimawandel und den folgen austria wie lange geht der klimawandel der politik noch am arsch klimawandel in den usa versinkende

wie wir dem klimawandel in den arsch treten nachhaltig und - Mar 09 2023

web schweigen uns zu tode zeit online der aktuelle klimawandel aus sicht der inuit wie wir dem klimawandel in den arsch treten nachhaltig klimawandel zehn fakten die sich

wie wir dem klimawandel in den arsch treten nachh pdf - Apr 10 2023

web as this wie wir dem klimawandel in den arsch treten nachh it ends in the works swine one of the favored book wie wir dem klimawandel in den arsch treten nachh

wie wir dem klimawandel in den arsch treten nachhaltig und - Feb 25 2022

web jul 20 2023 die erde bis 2023 watson wie lange geht der klimawandel der politik noch am arsch land unter in asien wie der klimawandel den monsun klimawandel begann

wie wir dem klimawandel in den arsch treten nachhaltig und - May 11 2023

web schuld an der hitzewelle wissen bestseller in bücher über den klimawandel de wie lange geht der klimawandel der politik noch am arsch schuld am klimawandel ist der

final exam 2023 memo grade 12 geography p 1 map - May 24 2022

web grade 12 geography p1 september 2019 marking guidelines 1 3 1 date of the map is 29 01 2013 1 presence of tropical

cyclone felleng tropical cyclone 1

geography p1 november 2013 annexure advantage - Jun 05 2023

web oct 8 2021 grade 12 geography lesson paper 1 key moments view all format and structure of geography format and structure of geography 1 23 format and structure of geography 1 23

national senior certificate grade 12 western cape - Jun 24 2022

web 2023 memo p 1 grade 12 geography p 1 map work climatology thundereduc get the book here

geography grade 12 past exam papers and memos - Oct 09 2023

web welcome to the grade 12 geography past exam paper page here you ll find a comprehensive range of grade 12 past year exam papers and memos ranging from

national senior certificate grade 12 north west - Apr 22 2022

web jun 23 2021 this document deals with the final grade 12 external examinations it does not deal in any depth with the school based assessment sba performance

graad 12 national senior certificate grade 12 - Feb 01 2023

web feb 21 2022 grade 12 national senior certificate examinations memorandum may june2021 the following marking guidelines have been

geography p1 september 2022 grade 12 mg 01 06 - Jan 20 2022

web 4 2 1 geography paper 1 312 1 answer all the questions in this section 1 a the diagram below represents the structure of the atmosphere use it to answer question a

geography exam papers and study material for grade 12 - Aug 27 2022

web apr 22 2021 how to download nsc exam papers for november 2013 the national senior certificate or nsc is a high school diploma and is the school leaving certificate in

matric geography past papers 2013 pdf download - Jul 06 2023

web hundreds of families have been left homeless and many roads and streets in durban and other coastal areas north of the city right up to kosi bay were turned into raging

national department of basic education curriculum national - Aug 07 2023

web matric geography papers 2013 the geography papers has been successfully uploaded online as follows here is the list of the uploaded papers grade 12 geography paper 1

geography grade 12 past exam papers and memos - Nov 29 2022

web 12 13 this question paper consists of two sections section a question 1 climate and weather 60 question 2

geomorphology 60 section b question

[grade 12 september 2018 geography p1 marking](#) - Feb 18 2022

web sep 1 2022 geography p1 2 september 2022 preparatory examination nsc copyright reserved please turn over instructions and information 1 this question

download grade 12 geography past exam papers and - Sep 08 2023

web nsc november 2013 examination papers non language subjects geography title memo 1 afrikaans download memo 1 english p1 libreoffice data

[grade 12 geography paper 1 youtube](#) - May 04 2023

web in this live gr 12 geography exam revision show we revise the following paper 1 concepts climate and weather geomorphology settlement and economic geography

nsc nov 2021 geography p1 wced eportal - Sep 27 2022

web oct 30 2023 exam papers and study notes for geography grade 12 download for free this can improve your results at school

[final exam preparation p1 live mindset learn](#) - Apr 03 2023

web 2 2 4 5 explain why the cartoonist zapiro thinks cop 17 was a waste of time 2 x 2 4 2 5 study figure 2 5 which shows the impact of land use on flow hydrographs

national senior certificate grade 12 how and when - Oct 29 2022

web mar 11 2022 this is geography paper 1 for national senior certificate november 2021 grade 12 learners will benefit greatly when using it as part of their examination

graad 12 national senior certificate grade 12 want - Mar 02 2023

web geography p1 6 db e feb mar 2013 nsc memorandum copyright reserved please turn over 2 4 1 inter tropical convergence zone 2 1 x 2 2 2 4 2 an area of low pressure

kcse past papers geography 2013 advance africa - Dec 19 2021

web university of pune 1st year fyba geography general paper 1 physical geography 2012 2013 october question paper pdf university of pune 1st year fyba question

[nsc exam papers november 2013 beraportal](#) - Jul 26 2022

web geography p1 4 db e november 2021 nsc marking guidelines copyright reserved please turn over 1 5 1 5 1 coastal name two pressure systems to

[geography paper 1 grade 12 memorandum nsc](#) - Dec 31 2022

web geography grade 12 past exam papers and memos access all the latest grade 12 geography past exam papers and memos geography past papers with answer books

geography grade 12 examination guidelines 2021 - Mar 22 2022

web national senior certificate grade 12 september 2018 geography p1 marking guideline marks 225 this marking guideline consists of 14 pages

geography general paper 1 physical geography 2012 2013 ba - Nov 17 2021

henry viii the king and his court alison weir google books - Sep 04 2022

web 13 reviews reviews aren't verified but google checks for and removes fake content when it's identified henry viii renowned for his command of power celebrated for his intellect presided over the most stylish and dangerous court in renaissance europe

[henry viii wikipedia](#) - Jun 01 2022

web henry viii 28 june 1491 28 january 1547 was king of england from 22 april 1509 until his death in 1547 henry is best known for his six marriages and his efforts to have his first marriage to catherine of aragon annulled

henry viii king and court alison weir google books - Jul 14 2023

web apr 18 2011 henry viii renowned for his command of power and celebrated for his intellect presided over one of the most magnificent and dangerous courts in renaissance europe never before has a

[introduction henry viii the king and his court erenow](#) - Dec 27 2021

web sep 17 2000 introduction in 1517 the papal nuncio francesco chiericato arrived at the court of henry viii and was stunned by its magnificence the wealth and civilisation of the world are here he marvelled and those who call the english barbarians appear to me to render themselves such

henry viii the king and his court amazon com - Jun 13 2023

web oct 29 2002 packed with colorful description meticulous in historical detail rich in pageantry intrigue passion and luxury weir brilliantly renders king henry viii his court and the fascinating men and women who vied for its pleasures and rewards the result is an absolutely spellbinding read

[henry viii the king and his court by alison weir goodreads](#) - Apr 11 2023

web may 1 2001 henry viii the king and his court alison weir 4 10 13 841 ratings 379 reviews henry viii renowned for his command of power and celebrated for his intellect presided over one of the most magnificent and dangerous courts in renaissance europe

henry viii biography wives religion death facts - Oct 05 2022

web sep 1 2023 henry viii was the king of england 1509 47 he broke with the roman catholic church and had parliament declare him supreme head of the church of england starting the english reformation because the pope would not annul his

marriage to catherine of aragon

henry viii king and court paperback 18 sept 2008 - Mar 30 2022

web buy henry viii king and court by weir alison isbn 9780099532422 from amazon s book store everyday low prices and free delivery on eligible orders

henry viii king and court alison weir google books - Dec 07 2022

web henry viii king and court alison weir vintage 2008 great britain 656 pages 13 reviews reviews aren t verified but google checks for and removes fake content when it s identified weir s

henry viii king and court weir alison 1951 free download - Aug 15 2023

web packed with colorful description meticulous in historical detail rich in pageantry intrigue passion and luxury weir brilliantly renders king henry viii his court and the fascinating men and women who vied for its pleasures and rewards publisher details originally published london jonathan cape 2001

henry viii king and court weir alison archive org - Jan 08 2023

web a detailed study written by a popular tudor historian that sets a personal biography of henry viii against the cultural social and political background of his court with a rich supporting cast of courtiers ministers nobles and commoners and the splendour of his many palaces

henry viii alison weir free download borrow and streaming - Feb 26 2022

web henry viii king of england 1491 1547 henry viii king of england 1491 1547 relations with courts and courtiers great britain court and courtiers history 16th century great britain history henry viii 1509 1547 great britain kings and rulers biography publisher ballantine books collection

henry viii the king and his court alison weir google books - Nov 06 2022

web oct 29 2002 random house publishing group oct 29 2002 biography autobiography 672 pages for fans of wolf hall alison weir s new york times bestselling biography of henry viii brilliantly brings to life the king the court and the fascinating men and women who vied for its pleasures and rewards

henry viii the king and his court by alison weir - Jul 02 2022

web jul 20 2001 henry viii the king and his court by alison weir fri 20 jul 2001 11 07 edt in the summer of 1509 henry informed king ferdinand that he was about to visit different parts of his kingdom

henry viii the king and his court ballantine reader s circle - Apr 30 2022

web dec 18 2007 alison weir henry viii the king and his court ballantine reader s circle kindle edition by alison weir author format kindle edition 4 5 912 ratings see all formats and editions kindle 12 99 read with our free app audiobook 0 00 free with your 3 month audible trial hardcover

[henry viii court rules the national archives](#) - May 12 2023

web henry viii became king of england in 1509 aged 18 he was determined to be a great king looked up to by everyone he showed this in lots of ways his grand portraits his keenness for

category court of henry viii wikipedia - Aug 03 2022

web henry viii 1491 1547 courtiers diplomats servants and artisans at the royal court of england during the reign of henry viii anglo saxon england england in the late middle ages commonwealth of england overseas possessions subcategories this category has the following 10 subcategories out of 10 total

henry viii king and court alison weir amazon com tr kitap - Jan 28 2022

web henry viii king and court alison weir amazon com tr kitap Çerez tercihlerinizi seçin Çerez bildirimimizde detaylandırıldığı üzere satın alım yapmanızı sağlamak alışveriş deneyiminizi geliştirmek ve hizmetlerimizi sunmak için gerekli olan çerezleri ve benzer araçları kullanıyoruz

henry viii king and court alison weir google books - Feb 09 2023

web a detailed study written by a popular tudor historian that sets a personal biography of henry viii against the cultural social and political background of his court with a rich supporting

henry viii the king and his court alison weir google books - Mar 10 2023

web oct 29 2002 henry viii renowned for his command of power and celebrated for his intellect presided over one of the most magnificent and dangerous courts in renaissance europe never before has a