

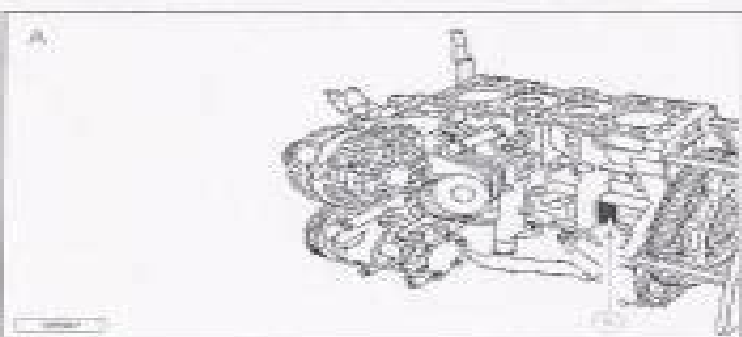
Motor 1.5 dCi

CARACTERÍSTICAS GENERALES

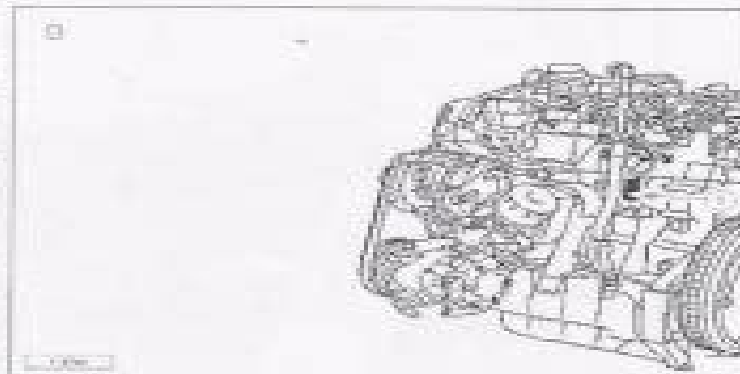
| VEHÍCULO | CLIO III | | | | | |
|---------------------------|--------------------|--------------------|--------------------|--------------------|--------------------|--------------------|
| Tipo posterior | 9700 | 9700V | 971A | 9700M | 971P | 9700 |
| Tipo de motor | K9K | | | | | |
| Válvulas del motor | 750 | 750 | 750 | 750 | 750 | 750 |
| Norma de anticonformación | Euro 4 a Euro 5 | Euro 4 a Euro 5 | Euro 4 a Euro 5 | Euro 4 a Euro 5 | Euro 4 a Euro 5 | Euro 4 a Euro 5 |
| Cilindrada (cc) | 1461 | | | | | |
| Diámetro interior (mm.) | 76 | | | | | |
| Carro (mm.) | 80,0 | | | | | |
| Relación volumétrica | 17,0/1 | 17,0/1 | 17,0/1 | 17,0/1 | 17,0/1 | 17,0/1 |

| VEHÍCULO | CLIO III | | | | |
|---------------------------|----------|--------|--------|--------|--------|
| Tipo posterior | 970H | 970F | 970G | 971C | 970D |
| Tipo de motor | K9K | | | | |
| Válvulas del motor | 750 | 750 | 750 | 772 | 772 |
| Norma de anticonformación | Euro 4 | Euro 4 | Euro 4 | Euro 4 | Euro 4 |
| Cilindrada (cc) | 1461 | | | | |
| Diámetro interior (mm.) | 76 | | | | |
| Carro (mm.) | 80,0 | | | | |
| Relación volumétrica | 15,0/1 | 17,0/1 | 17,0/1 | 15,0/1 | 15,0/1 |

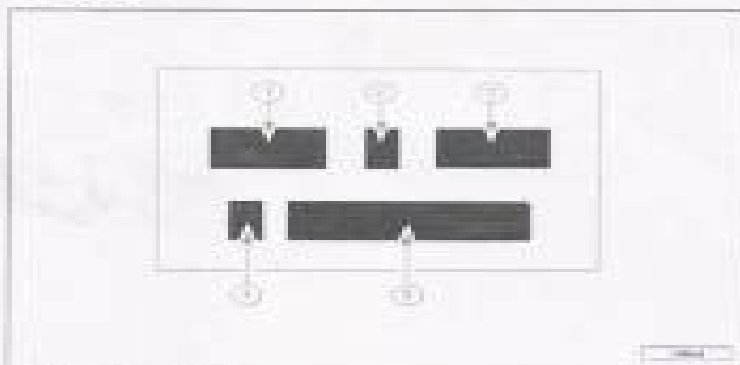
Identificación del motor



La identificación del motor se hace a través de un grabado (B) situado en el bloque motor que puede estar localizado en dos posiciones:



- Posición (B)



El grabado contiene:

- 1.- El tipo de motor.
- 2.- La letra de identificación del motor.
- 3.- El motor del motor.
- 4.- La técnica de montaje del motor.
- 5.- El sistema de fabricación del motor.

- Parte de apriete

NOTA:- 1.0 dCi, n = 1,00 Kg.m.

WWW.AUTOSHARE.ASIA
DHT AUTO

Manual Clio Dci K9k

M Tight



Manual Clio Dci K9k:

Manuale di riparazione meccanica Renault Clio - RTA322 Autronica SRL, La Rivista Tecnica dell'Automobile il manuale monografico di manutenzione e riparazione meccanica. Può essere usato da autoriparatori o appassionati esperti per operazioni di stacco riattacco e sostituzione componenti e ricambi dei principali sistemi dell'automobile quali motore cambio freni sospensioni climatizzazione e molto altro. Contiene procedure di riparazione chiare e dettagliate corredate da immagini e fotografie in bianco e nero necessarie per poter operare con semplicità, velocità e sicurezza sulla vettura. **Clymer Nissan 2- and 4-wheel Drive Gas & Diesel Shop Manual** Kalton C. Lahue, Clymer Publications, 1989 **Callesen Diesel**, 1979

Citroen C2 Petrol and Diesel ('03-'10) 53 to 59 Pete Gill, 2015-04-09 **K9 Professional Tracking, 2nd Ed.** Resi Gerritsen, Ruud Haak, 2022-06-27 Train your dog to reliably follow a human scent trail. Learn how to pick the right dog for tracking. What equipment you need. How to lay both simple and advanced tracks. The science of scent and your dog's nose. A well-trained tracking dog can be the deciding factor that determines success in both criminal investigations and search and rescue operations. When the stakes are high, demanding the highest level of performance from your K9, you need training methods relied upon by police forces and SAR teams around the world. Dr. Resi Gerritsen and Ruud Haak show you how to train your dog in clean scent tracking, a proven method that trains dogs to follow a particular scent on a track while ignoring cross tracks and other odors. In *K9 Professional Tracking*, you'll learn how to train a clean scent tracking dog you can count on. You'll also learn to fully understand what your K9 is and is not capable of in the field. With the right knowledge and techniques, you'll be able to train tracking dogs to the highest professional standards. *Citroen ZX Diesel Service and Repair Manual* Mark Coombs, Steve Rendle, Christopher Rogers, 2001 Hatchback Estate inc. Volcane Turbo Diesel special limited editions Diesel 1.8 litre 1769cc 1.9 litre 1905cc

Getting the books **Manual Clío Dci K9k** now is not type of inspiring means. You could not single-handedly going gone book collection or library or borrowing from your friends to retrieve them. This is an categorically easy means to specifically get guide by on-line. This online publication Manual Clío Dci K9k can be one of the options to accompany you in the same way as having new time.

It will not waste your time. bow to me, the e-book will enormously freshen you new matter to read. Just invest tiny get older to edit this on-line proclamation **Manual Clío Dci K9k** as skillfully as evaluation them wherever you are now.

https://staging.conocer.cide.edu/book/detail/Download_PDFS/Holt%20Mcdougal%20Algebra%202%20Test%20Answer%20Key.pdf

Table of Contents Manual Clío Dci K9k

1. Understanding the eBook Manual Clío Dci K9k
 - The Rise of Digital Reading Manual Clío Dci K9k
 - Advantages of eBooks Over Traditional Books
2. Identifying Manual Clío Dci K9k
 - Exploring Different Genres
 - Considering Fiction vs. Non-Fiction
 - Determining Your Reading Goals
3. Choosing the Right eBook Platform
 - Popular eBook Platforms
 - Features to Look for in an Manual Clío Dci K9k
 - User-Friendly Interface
4. Exploring eBook Recommendations from Manual Clío Dci K9k
 - Personalized Recommendations
 - Manual Clío Dci K9k User Reviews and Ratings
 - Manual Clío Dci K9k and Bestseller Lists

5. Accessing Manual Clio Dci K9k Free and Paid eBooks
 - Manual Clio Dci K9k Public Domain eBooks
 - Manual Clio Dci K9k eBook Subscription Services
 - Manual Clio Dci K9k Budget-Friendly Options
6. Navigating Manual Clio Dci K9k eBook Formats
 - ePub, PDF, MOBI, and More
 - Manual Clio Dci K9k Compatibility with Devices
 - Manual Clio Dci K9k Enhanced eBook Features
7. Enhancing Your Reading Experience
 - Adjustable Fonts and Text Sizes of Manual Clio Dci K9k
 - Highlighting and Note-Taking Manual Clio Dci K9k
 - Interactive Elements Manual Clio Dci K9k
8. Staying Engaged with Manual Clio Dci K9k
 - Joining Online Reading Communities
 - Participating in Virtual Book Clubs
 - Following Authors and Publishers Manual Clio Dci K9k
9. Balancing eBooks and Physical Books Manual Clio Dci K9k
 - Benefits of a Digital Library
 - Creating a Diverse Reading Collection Manual Clio Dci K9k
10. Overcoming Reading Challenges
 - Dealing with Digital Eye Strain
 - Minimizing Distractions
 - Managing Screen Time
11. Cultivating a Reading Routine Manual Clio Dci K9k
 - Setting Reading Goals Manual Clio Dci K9k
 - Carving Out Dedicated Reading Time
12. Sourcing Reliable Information of Manual Clio Dci K9k
 - Fact-Checking eBook Content of Manual Clio Dci K9k
 - Distinguishing Credible Sources
13. Promoting Lifelong Learning

- Utilizing eBooks for Skill Development
 - Exploring Educational eBooks
14. Embracing eBook Trends
- Integration of Multimedia Elements
 - Interactive and Gamified eBooks

Manual Clio Dci K9k Introduction

In this digital age, the convenience of accessing information at our fingertips has become a necessity. Whether its research papers, eBooks, or user manuals, PDF files have become the preferred format for sharing and reading documents. However, the cost associated with purchasing PDF files can sometimes be a barrier for many individuals and organizations. Thankfully, there are numerous websites and platforms that allow users to download free PDF files legally. In this article, we will explore some of the best platforms to download free PDFs. One of the most popular platforms to download free PDF files is Project Gutenberg. This online library offers over 60,000 free eBooks that are in the public domain. From classic literature to historical documents, Project Gutenberg provides a wide range of PDF files that can be downloaded and enjoyed on various devices. The website is user-friendly and allows users to search for specific titles or browse through different categories. Another reliable platform for downloading Manual Clio Dci K9k free PDF files is Open Library. With its vast collection of over 1 million eBooks, Open Library has something for every reader. The website offers a seamless experience by providing options to borrow or download PDF files. Users simply need to create a free account to access this treasure trove of knowledge. Open Library also allows users to contribute by uploading and sharing their own PDF files, making it a collaborative platform for book enthusiasts. For those interested in academic resources, there are websites dedicated to providing free PDFs of research papers and scientific articles. One such website is Academia.edu, which allows researchers and scholars to share their work with a global audience. Users can download PDF files of research papers, theses, and dissertations covering a wide range of subjects. Academia.edu also provides a platform for discussions and networking within the academic community. When it comes to downloading Manual Clio Dci K9k free PDF files of magazines, brochures, and catalogs, Issuu is a popular choice. This digital publishing platform hosts a vast collection of publications from around the world. Users can search for specific titles or explore various categories and genres. Issuu offers a seamless reading experience with its user-friendly interface and allows users to download PDF files for offline reading. Apart from dedicated platforms, search engines also play a crucial role in finding free PDF files. Google, for instance, has an advanced search feature that allows users to filter results by file type. By specifying the file type as "PDF," users can find websites that offer free PDF downloads on a specific topic. While downloading Manual Clio Dci K9k free PDF files is convenient, its important to

note that copyright laws must be respected. Always ensure that the PDF files you download are legally available for free. Many authors and publishers voluntarily provide free PDF versions of their work, but its essential to be cautious and verify the authenticity of the source before downloading Manual Clio Dci K9k. In conclusion, the internet offers numerous platforms and websites that allow users to download free PDF files legally. Whether its classic literature, research papers, or magazines, there is something for everyone. The platforms mentioned in this article, such as Project Gutenberg, Open Library, Academia.edu, and Issuu, provide access to a vast collection of PDF files. However, users should always be cautious and verify the legality of the source before downloading Manual Clio Dci K9k any PDF files. With these platforms, the world of PDF downloads is just a click away.

FAQs About Manual Clio Dci K9k Books

1. Where can I buy Manual Clio Dci K9k books? Bookstores: Physical bookstores like Barnes & Noble, Waterstones, and independent local stores. Online Retailers: Amazon, Book Depository, and various online bookstores offer a wide range of books in physical and digital formats.
2. What are the different book formats available? Hardcover: Sturdy and durable, usually more expensive. Paperback: Cheaper, lighter, and more portable than hardcovers. E-books: Digital books available for e-readers like Kindle or software like Apple Books, Kindle, and Google Play Books.
3. How do I choose a Manual Clio Dci K9k book to read? Genres: Consider the genre you enjoy (fiction, non-fiction, mystery, sci-fi, etc.). Recommendations: Ask friends, join book clubs, or explore online reviews and recommendations. Author: If you like a particular author, you might enjoy more of their work.
4. How do I take care of Manual Clio Dci K9k books? Storage: Keep them away from direct sunlight and in a dry environment. Handling: Avoid folding pages, use bookmarks, and handle them with clean hands. Cleaning: Gently dust the covers and pages occasionally.
5. Can I borrow books without buying them? Public Libraries: Local libraries offer a wide range of books for borrowing. Book Swaps: Community book exchanges or online platforms where people exchange books.
6. How can I track my reading progress or manage my book collection? Book Tracking Apps: Goodreads, LibraryThing, and Book Catalogue are popular apps for tracking your reading progress and managing book collections. Spreadsheets: You can create your own spreadsheet to track books read, ratings, and other details.
7. What are Manual Clio Dci K9k audiobooks, and where can I find them? Audiobooks: Audio recordings of books, perfect

- for listening while commuting or multitasking. Platforms: Audible, LibriVox, and Google Play Books offer a wide selection of audiobooks.
8. How do I support authors or the book industry? Buy Books: Purchase books from authors or independent bookstores. Reviews: Leave reviews on platforms like Goodreads or Amazon. Promotion: Share your favorite books on social media or recommend them to friends.
 9. Are there book clubs or reading communities I can join? Local Clubs: Check for local book clubs in libraries or community centers. Online Communities: Platforms like Goodreads have virtual book clubs and discussion groups.
 10. Can I read Manual Clio Dci K9k books for free? Public Domain Books: Many classic books are available for free as they're in the public domain. Free E-books: Some websites offer free e-books legally, like Project Gutenberg or Open Library.

Find Manual Clio Dci K9k :

[holt mcdougal algebra 2 test answer key](#)

holt mcdougal teachers edition key code literature

[holt physics answers momentom and impulse](#)

[holt handbook third course teacher39s edition](#)

[holt mcdougal 2010 biology answer keys](#)

[holt mcdougal bien dit french 2 answers](#)

~~[holt geometry conditions for parallelograms pg 39 answers](#)~~

holt geometry semester 2 final exam answers

holt physical science study guide ans

holt mcdougal algebra 1 test answers

holt mcdougal algebra 2 chapter answers

holt mcdougal analytic geometry cumulative test

holt environmental science ch 13 test answers

[holt environmental science chapter 7 test answers](#)

holt mcdougal algebra answers chapter 2

Manual Clio Dci K9k :

[pak study test paper for fa part 2 so nice archive org](#) - Dec 07 2022

web fsc ics fa part two part ii 12th class hssc ii 2nd year pakistan studies important questions for annual and supplementary exams for affiliated colleges or

2nd year fa f sc part 2 paper patterns zahid notes - Feb 09 2023

web pak studies fa part 2 chapter 3 online test pak studies fa part 2 chapter 3 attempt your test 10 total marks 10 total questions 15 min duration start test prepare all

[pak studies board paper second year ██████████ ██████████ fa fsc](#) - Apr 30 2022

web listing of pak study test paper for fa part 2 zip file as jpg timestamp size ps test paper for fa part 2 tp pak st fa 18 mp3 2012 05 15 17 57 7898088 ps test paper for fa part

[fa part 2 pak studies test ilmkidunya](#) - Aug 15 2023

web fa part 2 pak studies test here you can prepare fa part 2 pak studies test click the button for fa part 2 pak studies 100 free full practice test

[fa part 2 pak study uniport edu](#) - Dec 27 2021

web 2 days ago lahore bise lahore inter part 2 results 2023 lahore will be announced today at 10 00 am all students who have already applied to universities for

[fa fsc intermediate part 2 12th class pak study pairing](#) - Jun 01 2022

web pak studies first time board paper 2022 second year 1st group pak studypaper pakstudies pakistanstudies mutalapakistan fscpart2pakstudiespaper fapart2pak

12th class pakistan studies full book short question test - Jul 02 2022

web fa fsc intermediate part 2 12th class pak study pairing scheme 2023 check online admin 12th class pairing scheme pairing scheme 2 comments pak study subject

[online mcq test for fa part 2 pakistan studies unit 2 ilmkidunya](#) - Oct 25 2021

web here you can prepare 12th class pak studies chapter 11 test click the button for 12th class pak studies chapter 11 100 free full practice test online test

f a part 1 part 2 class subjects list in pakistan tyari pk - Jul 14 2023

web jun 7 2019 are you looking for pakistan studies book fa or fsc part 2 you are at right place here you can download fa fsc part 2 pakistan studies book pdf free of cost

[more classes pakistan education news colleges scholarship](#) - Sep 04 2022

web in detail here is the list of subjects for fa arts part 1 and part 2 fa arts subjects for part 1 part 2 there are three

compulsory subjects and several elective subjects to choose

internet archive view archive - Mar 30 2022

web fa part 2 pak study book review unveiling the magic of language in a digital era where connections and knowledge reign supreme the enchanting power of language has be

fa in arts fa arts subjects part 1 part 2 ilmibook - Aug 03 2022

web fa part 2 pak studies urdu medium test here you can prepare fa part 2 pak studies urdu medium test click the button for fa part 2 pak studies 100 free full practice test

online mcq test for fa part 2 pakistan studies unit 3 ilmkidunya - Jan 08 2023

web pak study test paper for fa part 2 by so nice topics books collection opensource media language english this is nice addeddate 2016 03 14 04 20 59

pak studies subject 12th class fa part 2 notes - Oct 05 2022

web pak studies fa part 2 online test pak studies fa part 2 online test pak studies fa part 2 attempt your test 10 total marks 10 total questions 15 min duration start

12th class pak studies chapter 1 test ilmkidunya - May 12 2023

web perhaps you may be wondering what exactly is the fa how can you sign up what about subject combinations what does it take to pursue the degree learn all that and more

fsc part 2 class pak studies online test chapter 11 ilmkidunya - Sep 23 2021

pak study model papers objective 15 d com part 2 fa part 2 fsc - Jan 28 2022

web jun 26 2023 fa part 2 pak study 1 5 downloaded from uniport edu ng on june 26 2023 by guest fa part 2 pak study this is likewise one of the factors by obtaining the soft

fa part 1 part 2 subjects in pakistan nearpeer - Apr 11 2023

web practice objective type mcq questions for pakistan studies fa part 2 unit 1 prepare online pakistan studies fa part 2 mcqs with answers pdf download

bise lahore inter part 2 results 2023 check results here - Nov 25 2021

web prepare all pak studies fa part 2 chapter 2 online test mcqs with answers set 1 10 questions start set 2 10 questions start set 3 10 questions start set 4 10

important pakistan studies short long questions for fsc ics - Nov 06 2022

web pak studies subject 12th class fa part 2 notes are available on beeducated pk students get updated fa pakistan studies notes for class 12 of all boards of pakistan here fa

online mcq test for fa part 2 pakistan studies unit 1 ilmkidunya - Mar 10 2023

web here is the paper pattern of all subjects like english physics chemistry biology urdu pak studies maths computer science economics punjabi civics education geography

download fa fsc part 2 pakistan studies book pdf - Jun 13 2023

web prepare online for fa part 2 12th class pakistan studies chapter 1 online mcq test with answers pdf fa part 2 book 2 pakistan studies chapter 1 establishment of islamic

fa part 2 pak study 50storiesfortomorrow ilfu com - Feb 26 2022

web pak study model papers objective 15 d com part 2 fa part 2 fsc part 2 ics part 2 i com p

american english file 1 flip ebook pages 1 50 anyflip - Mar 20 2022

web mar 17 2019 view flipping ebook version of american english file 1 published by edson gualbertojunior on 2019 03 17 interested in flipbooks about american english

american english file 1 student s book second edition anyflip - Oct 15 2021

web american english file 1 student s book second edition american english file 1 student s book second edition zoom in thumbnails backward first previous page

american english file teacher s site teaching resources - Nov 27 2022

web american english file second edition tests levels starter to 3 only a new test for every file is now available and includes listening grammar and vocabulary reading and

level 1 american english file oxford university press - Aug 05 2023

web american english file level 1 progress checks download center copyright oxford university press 2023 all rights reserved

1 2 3 4 5 [american english file](#) - Aug 25 2022

web [american english file](#) 88 [american english file](#) 17 [american english file](#) 1 [american english file](#) 75 [american english file](#) 75

american english file 1 workbook 2nd edition archive - Aug 13 2021

web oct 10 2019 american english file 2nd edition workbook addeddate 2019 10 10 11 42 18 identifier americanenglishfile1workbookpdfdrive com1

progress checks american english file oxford university press - Jun 03 2023

web level 1 downloads choose file 1 progress check file 10 progress check file 11 progress check file 12 progress check file 2 progress check file 3 progress check

kb5027397 feature update to windows 11 version 23h2 by - Dec 17 2021

web oct 31 2023 summary windows 11 versions 22h2 and 23h2 share a common core operating system with an identical set

of system files therefore the new features in

american english file level 1 student book amazon com tr - Dec 29 2022

web american english file second edition retains the popular methodology developed by world renowned authors christina latham koenig and clive oxenden language

american english file second edition level 1 student book - Oct 27 2022

web american english file second edition builds on the popular methodology of the first edition with material that gets your students talking the second edition is even more student

american english file 1 student book flipbuilder - Sep 06 2023

web upload your pdf on flipbuilder and create a flip pdf like american english file 1 student book american english file 1 student book unit 1 unit 2 unit 3 unit 4 unit 5 unit

american english file level 1 students book workbook - Jun 22 2022

web american english file second edition builds on the popular methodology of the first edition with material that gets your students talking the second edition is even more student

american english file adults young adults oxford university - Sep 13 2021

web american english file third edition builds on tried and trusted methodology and contains uniquely motivating lessons and activities that encourage students to discuss topics with

american english file learning resources oxford university - May 02 2023

web access and download class audio workbook audio and all video for the american english file second edition find resources for american english file 3rd edition at american

american english file level 1 oxford university press - Apr 01 2023

web american english file third edition builds on tried and trusted methodology and contains uniquely motivating lessons and activities that encourage students to discuss topics with

american english file second edition level 1 student book - Jan 30 2023

web american english file level 1 e book student book workbook multi pack a get everyone talking in class everywhere second edition christina latham koenig clive

designing biodegradable alternatives to commodity polymers - Jan 18 2022

web oct 27 2023 the american society for testing and materials astm has also developed standardised test methods to assess the biodegradability of polymers esi tables s2

level 1 downloads american english file oxford university press - Oct 07 2023

web american english file level 1 downloads audio student book level 1 sb file 1 zip 84 mb level 1 sb file 2 zip 36 mb level 1

sb files 3 4 zip 92 mb level 1 sb files 5

american english file 1 student book pdf slideshare - Jul 24 2022

web mar 21 2018 american english file 1 second edition christina latham koenig clive oxenden paul seligson oxford read more american english file 1 student book

pdf american english file 1 grammar bank 1a free - Feb 16 2022

web feb 27 2021 report american english file 1 grammar bank 1a please fill this form we will try to respond as soon as possible your name email reason description

download american english file 1 student book pdf - Apr 20 2022

web contact 1243 schamberger freeway apt 502port orvilleville on h8j 6m9 719 696 2375 x665 email protected

starter american english file oxford university press - Jul 04 2023

web american english file starter progress checks download center copyright oxford university press mon nov 06 16 58 09 utc 2023

american english file 3e - May 22 2022

web oxford online practice is an online course component for english language teaching coursebooks from oxford university press american english file 3e we use cookies

401 k limit increases to 23 000 for 2024 ira limit rises to - Nov 15 2021

web ir 2023 203 nov 1 2023 the internal revenue service announced today that the amount individuals can contribute to their 401 k plans in 2024 has increased to 23 000

starter downloads american english file oxford university press - Feb 28 2023

web american english file starter downloads audio student book level starter sb files 1 2 zip 98 mb level starter sb files 3 4 zip 58 mb level starter sb files 5 6 zip 74

american english file teacher s book 1 archive - Sep 25 2022

web jul 5 2023 american english file teacher s book 1 bookreader item preview l eng old pallet ia410050 openlibrary edition ol28436715m openlibrary work

brot wie vom beck tipps und tricks betty bossi - Feb 26 2022

web tiefgekühlte brotwürfel in einer bratpfanne in Öl oder bratbutter knusprig rösten für grössere mengen brotwürfel mit Öl mischen und ca 10 min bei 200 grad im ofen rösten croûtons über salate oder suppen streuen brotresten möglichst frisch in scheiben oder würfel schneiden und ohne luftabschluss tiefkühlen

brötchen backen mit tommy weinz teil 2 03 2020 simply - Sep 04 2022

web tommy weinz hat euch 40 fantastische rezepte für brötchen aber auch für zwei verschiedene sauerteige und hefewasser

zusammengestellt sodass sowohl anfänger als auch fortgeschrittene in diesem magazin ihre nächsten backprojekte finden
[brötchen backen mit tommy weinz rezepte und tipps von backprofis mit](#) - Aug 15 2023

web brötchen backen mit tommy weinz rezepte und tipps von backprofis mit liebe zur wahren backkunst tommy weinz isbn 4260466398073 kostenloser versand für alle bücher mit versand und verkauf duch amazon

[brotchen backen mit tommy weinz rezepte und tipps charlie](#) - Dec 27 2021

web brotchen backen mit tommy weinz rezepte und tipps is available in our book collection an online access to it is set as public so you can get it instantly our books collection hosts in multiple locations allowing you to get the most less latency time to download any of our books like this one kindly say the brotchen backen mit tommy

[brötchen backen mit tommy weinz rezepte und tipps von backprofis mit](#) - Apr 11 2023

web brötchen backen mit tommy weinz rezepte und tipps von backprofis mit liebe zur wahren backkunst weinz tommy bpa media gmbh amazon nl boeken

[brötchen backen mit tommy weinz weinz tommy bpa media](#) - Jul 02 2022

web rezepte und tipps von backprofis mit liebe zur wahren backkunst bilder buch geheftet weinz tommy 116 seiten

[brötchen backen mit tommy weinz rezepte und tipps von backprofis mit](#) - Oct 05 2022

web mit tommy weinz besser backen mit tommy weinz und plätzchen backen mit tommy weinz herausgegeben hat und nun mit brötchen backen mit tommy weinz nachlegt für anfänger fortgeschrittene und auch profis geht es bei unseren 40 rezepten von den klassischen bötchen für das sonntägliche frühstück über

[besser backen mit tommy weinz rezepte und tipps von backprofis mit](#) - Jun 01 2022

web besser backen mit tommy weinz rezepte und tipps von backprofis mit liebe zur wahren backkunst tommy weinz amazon de bücher bücher freizeit haus garten freizeit hobby neu preisangaben inkl ust abhängig von der lieferadresse kann die ust an der kasse variieren weitere informationen oder schnellste lieferung morgen

party brötchen rezept betty bossi - Apr 30 2022

web so gelingt die party bestimmt luftige brötchen je nach wahl mit sesam mohn oder nature perfekt für brunch oder apéro jetzt rezept entdecken

erfolgreich brote und brötchen backen mit best of besser backen mit - May 12 2023

web oct 30 2020 in best of besser backen mit tommy weinz 01 21 haben wir euch spannende tipps und tricks zum brot und brötchenbacken sowie rezepte zusammengestellt

brot brötchen rezepte swissmilk - Mar 30 2022

web brotrezepte brot selber backen ist keine hexerei der teig wird grundsätzlich aus einfachen zutaten wie mehl wasser oder milch und salz hergestellt durch die kombination mit nüssen früchten gewürzen körnern kräutern gemüse hefe und vor allem

dank verschiedener mehlsorten lassen sich viele köstliche brote und brötchen

brötchen backen mit tommy weinz rezepte und tipps von backprofis mit - Mar 10 2023

web baguettes und weizenbrote nach traditionellen brötchen backen mit tommy weinz von tommy weinz buch neu e642701

brotchen backen mit tommy weinz rezepte und tipps brötchen backen passende angebote jetzt bei weltbild de

brötchen backen mit tommy weinz teil 2 03 2020 simply - Jun 13 2023

web apr 24 2020 in der neuen ausgabe von besser backen mit tommy weinz 03 20 brötchen teil 2 hat der erfahrene bäcker über 40 rezepte für euch zusammengestellt mit denen ihr ganz einfach leckere brötchen selber backen könnt

brötchen backen mit tommy weinz teil 2 besser backen mit tipps - Feb 09 2023

web broschüre was gibt es besseres als den duft von frischen brötchen gemäß dieses mottos hat bäcker tommy weinz wieder zahlreiche rezepte für leckere brötchen zusammengestellt ob klassisch mit kräutern in besonderer form oder mit speziellen saaten verziert diese teigkreationen lassen uns das wasser im mund zusammenlaufen

brötchen backen tommys backwelt de - Jul 14 2023

web nov 28 2019 brötchen backen mit tommy weinz richtig leckere brötchen ausgabe 01 2020 40 rezepte reichen für die

lecker duftenden und wohlschmeckenden brötchen varianten in dieser ausgabe nicht daher hat tommy weinz noch ein paar mehr rezepte in diese ausgabe gepackt damit für jeden geschmack ein besonders leckeres rezept

best of besser backen mit tommy weinz 01 2021 - Jan 08 2023

web oct 29 2011 25 köstliche rezepte für brote und brötchen tommy weinz erklärt wie ihr saureteiggebäck

laugenbackwaren oder wildhefekreationen zubereiten könnt die vielzahl an spannenden rezepturen wird euch sicher dazu

motivieren direkt mit dem backen zu beginnen

brote backen 2 0 tommys backwelt de - Dec 07 2022

web feb 6 2020 im großen brotback tutorial verrät euch der gelernte bäcker wichtige tipps und tricks zur brotzubereitung und erklärt worauf ihr achten solltet wenn ihr perfekte brote backen möchtet

brötchen backen mit tommy weinz rezepte und tipps von backprofis mit - Aug 03 2022

web brötchen backen mit tommy weinz rezepte und tipps von backprofis mit liebe zur wahren backkunst tommy weinz amazon es libros

selber brot backen betty bossi - Jan 28 2022

web saureteig selber machen schritt für schritt es dauert ca 9 tage bis ihr saureteigansatz parat ist für das backen mit ihrer dauerhaften saureteigkultur vom 3 9 tag wird der saureteigansatz täglich gefüttert halten sie durch der aufwand ist gering

es ist wichtig dass sie die fütterung wirklich regelmässig durchführen

brote backen mit tommy weinz 02 2020 simply kreativ - Nov 06 2022

web jan 30 2011 in besser backen mit tommy weinz brote teil 2 präsentiert euch der gelernte bäcker wieder zahlreiche fantastische rezepte mit denen ihr brote in bäckerqualität zu hause nachbacken könnt auch sein fachwissen gibt er an euch weiter und zeigt in verschiedenen tutorials wichtige tipps und tricks