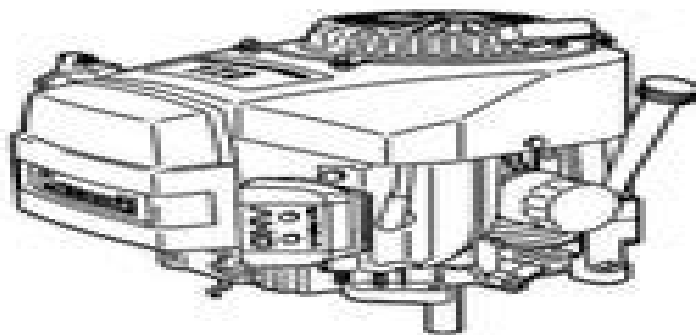




FH451V, FH500V, FH531V
FH541V, FH580V, FH601V
FH641V, FH661V, FH680V
FH721V



**4-Stroke Air-Cooled V-Twin Gasoline Engine
Service Manual**

Kawasaki Fh641v Engine Manual

John Haynes



Kawasaki Fh641v Engine Manual:

Uncover the mysteries within its enigmatic creation, Embark on a Mystery with **Kawasaki Fh641v Engine Manual** . This downloadable ebook, shrouded in suspense, is available in a PDF format (PDF Size: *). Dive into a world of uncertainty and anticipation. Download now to unravel the secrets hidden within the pages.

<https://staging.conocer.cide.edu/data/Resources/fetch.php/joint%20ss2%20o15.pdf>

Table of Contents Kawasaki Fh641v Engine Manual

1. Understanding the eBook Kawasaki Fh641v Engine Manual
 - The Rise of Digital Reading Kawasaki Fh641v Engine Manual
 - Advantages of eBooks Over Traditional Books
2. Identifying Kawasaki Fh641v Engine Manual
 - Exploring Different Genres
 - Considering Fiction vs. Non-Fiction
 - Determining Your Reading Goals
3. Choosing the Right eBook Platform
 - Popular eBook Platforms
 - Features to Look for in an Kawasaki Fh641v Engine Manual
 - User-Friendly Interface
4. Exploring eBook Recommendations from Kawasaki Fh641v Engine Manual
 - Personalized Recommendations
 - Kawasaki Fh641v Engine Manual User Reviews and Ratings
 - Kawasaki Fh641v Engine Manual and Bestseller Lists
5. Accessing Kawasaki Fh641v Engine Manual Free and Paid eBooks
 - Kawasaki Fh641v Engine Manual Public Domain eBooks
 - Kawasaki Fh641v Engine Manual eBook Subscription Services
 - Kawasaki Fh641v Engine Manual Budget-Friendly Options
6. Navigating Kawasaki Fh641v Engine Manual eBook Formats

- ePub, PDF, MOBI, and More
 - Kawasaki Fh641v Engine Manual Compatibility with Devices
 - Kawasaki Fh641v Engine Manual Enhanced eBook Features
7. Enhancing Your Reading Experience
 - Adjustable Fonts and Text Sizes of Kawasaki Fh641v Engine Manual
 - Highlighting and Note-Taking Kawasaki Fh641v Engine Manual
 - Interactive Elements Kawasaki Fh641v Engine Manual
 8. Staying Engaged with Kawasaki Fh641v Engine Manual
 - Joining Online Reading Communities
 - Participating in Virtual Book Clubs
 - Following Authors and Publishers Kawasaki Fh641v Engine Manual
 9. Balancing eBooks and Physical Books Kawasaki Fh641v Engine Manual
 - Benefits of a Digital Library
 - Creating a Diverse Reading Collection Kawasaki Fh641v Engine Manual
 10. Overcoming Reading Challenges
 - Dealing with Digital Eye Strain
 - Minimizing Distractions
 - Managing Screen Time
 11. Cultivating a Reading Routine Kawasaki Fh641v Engine Manual
 - Setting Reading Goals Kawasaki Fh641v Engine Manual
 - Carving Out Dedicated Reading Time
 12. Sourcing Reliable Information of Kawasaki Fh641v Engine Manual
 - Fact-Checking eBook Content of Kawasaki Fh641v Engine Manual
 - Distinguishing Credible Sources
 13. Promoting Lifelong Learning
 - Utilizing eBooks for Skill Development
 - Exploring Educational eBooks
 14. Embracing eBook Trends
 - Integration of Multimedia Elements
 - Interactive and Gamified eBooks

Kawasaki Fh641v Engine Manual Introduction

In today's digital age, the availability of Kawasaki Fh641v Engine Manual books and manuals for download has revolutionized the way we access information. Gone are the days of physically flipping through pages and carrying heavy textbooks or manuals. With just a few clicks, we can now access a wealth of knowledge from the comfort of our own homes or on the go. This article will explore the advantages of Kawasaki Fh641v Engine Manual books and manuals for download, along with some popular platforms that offer these resources. One of the significant advantages of Kawasaki Fh641v Engine Manual books and manuals for download is the cost-saving aspect. Traditional books and manuals can be costly, especially if you need to purchase several of them for educational or professional purposes. By accessing Kawasaki Fh641v Engine Manual versions, you eliminate the need to spend money on physical copies. This not only saves you money but also reduces the environmental impact associated with book production and transportation. Furthermore, Kawasaki Fh641v Engine Manual books and manuals for download are incredibly convenient. With just a computer or smartphone and an internet connection, you can access a vast library of resources on any subject imaginable. Whether you're a student looking for textbooks, a professional seeking industry-specific manuals, or someone interested in self-improvement, these digital resources provide an efficient and accessible means of acquiring knowledge. Moreover, PDF books and manuals offer a range of benefits compared to other digital formats. PDF files are designed to retain their formatting regardless of the device used to open them. This ensures that the content appears exactly as intended by the author, with no loss of formatting or missing graphics. Additionally, PDF files can be easily annotated, bookmarked, and searched for specific terms, making them highly practical for studying or referencing. When it comes to accessing Kawasaki Fh641v Engine Manual books and manuals, several platforms offer an extensive collection of resources. One such platform is Project Gutenberg, a nonprofit organization that provides over 60,000 free eBooks. These books are primarily in the public domain, meaning they can be freely distributed and downloaded. Project Gutenberg offers a wide range of classic literature, making it an excellent resource for literature enthusiasts. Another popular platform for Kawasaki Fh641v Engine Manual books and manuals is Open Library. Open Library is an initiative of the Internet Archive, a non-profit organization dedicated to digitizing cultural artifacts and making them accessible to the public. Open Library hosts millions of books, including both public domain works and contemporary titles. It also allows users to borrow digital copies of certain books for a limited period, similar to a library lending system. Additionally, many universities and educational institutions have their own digital libraries that provide free access to PDF books and manuals. These libraries often offer academic texts, research papers, and technical manuals, making them invaluable resources for students and researchers. Some notable examples include MIT OpenCourseWare, which offers free access to course materials from the Massachusetts Institute of Technology, and the Digital Public Library of America, which provides a vast collection of digitized books and historical documents. In conclusion, Kawasaki Fh641v Engine Manual books

and manuals for download have transformed the way we access information. They provide a cost-effective and convenient means of acquiring knowledge, offering the ability to access a vast library of resources at our fingertips. With platforms like Project Gutenberg, Open Library, and various digital libraries offered by educational institutions, we have access to an ever-expanding collection of books and manuals. Whether for educational, professional, or personal purposes, these digital resources serve as valuable tools for continuous learning and self-improvement. So why not take advantage of the vast world of Kawasaki Fh641v Engine Manual books and manuals for download and embark on your journey of knowledge?

FAQs About Kawasaki Fh641v Engine Manual Books

What is a Kawasaki Fh641v Engine Manual PDF? A PDF (Portable Document Format) is a file format developed by Adobe that preserves the layout and formatting of a document, regardless of the software, hardware, or operating system used to view or print it. **How do I create a Kawasaki Fh641v Engine Manual PDF?** There are several ways to create a PDF: Use software like Adobe Acrobat, Microsoft Word, or Google Docs, which often have built-in PDF creation tools. Print to PDF: Many applications and operating systems have a "Print to PDF" option that allows you to save a document as a PDF file instead of printing it on paper. Online converters: There are various online tools that can convert different file types to PDF. **How do I edit a Kawasaki Fh641v Engine Manual PDF?** Editing a PDF can be done with software like Adobe Acrobat, which allows direct editing of text, images, and other elements within the PDF. Some free tools, like PDFescape or Smallpdf, also offer basic editing capabilities. **How do I convert a Kawasaki Fh641v Engine Manual PDF to another file format?** There are multiple ways to convert a PDF to another format: Use online converters like Smallpdf, Zamzar, or Adobe Acrobat's export feature to convert PDFs to formats like Word, Excel, JPEG, etc. Software like Adobe Acrobat, Microsoft Word, or other PDF editors may have options to export or save PDFs in different formats. **How do I password-protect a Kawasaki Fh641v Engine Manual PDF?** Most PDF editing software allows you to add password protection. In Adobe Acrobat, for instance, you can go to "File" -> "Properties" -> "Security" to set a password to restrict access or editing capabilities. Are there any free alternatives to Adobe Acrobat for working with PDFs? Yes, there are many free alternatives for working with PDFs, such as: LibreOffice: Offers PDF editing features. PDFsam: Allows splitting, merging, and editing PDFs. Foxit Reader: Provides basic PDF viewing and editing capabilities. How do I compress a PDF file? You can use online tools like Smallpdf, ILovePDF, or desktop software like Adobe Acrobat to compress PDF files without significant quality loss. Compression reduces the file size, making it easier to share and download. Can I fill out forms in a PDF file? Yes, most PDF viewers/editors like Adobe Acrobat, Preview (on Mac), or various online tools allow you to fill out forms in PDF files by selecting text fields and entering information. Are there any restrictions when working with PDFs? Some PDFs might have restrictions set by their creator,

such as password protection, editing restrictions, or print restrictions. Breaking these restrictions might require specific software or tools, which may or may not be legal depending on the circumstances and local laws.

Find Kawasaki Fh641v Engine Manual :

[joint ss2 2o15](#)

[johnson oem factory service manual](#)

[johnson 140 hp service manual](#)

[journal of notetaking](#)

[johnson seahorse 6hp manual](#)

[johnson 50 hp service manual](#)

journal network security

~~journal entry example~~

johnson controls fx training manual

[jokes that dont attack english edition](#)

[johnson 5 hp outboard manual 1998](#)

[johnson j station manual](#)

[jon rogawski calculus second edition answers](#)

jones organic chemistry solutions manual

[johnson colt repair manual](#)

Kawasaki Fh641v Engine Manual :

malayalam blue films shakeela reshma maria sindhu - Jul 03 2023

web nov 20 2009 by staff published friday november 20 2009 14 25 ist 2000

old blue film kerala ftp dartgo org - Feb 27 2023

web 4 old blue film kerala 2021 02 18 also includes stills from important films discussed biographical information about the filmmakers and filmographies of their works dönmez colin offers in this expanded edition a carefully researched and richly detailed firsthand account of the developments and trends in these regional film industries

amala paul ties the knot with jagat desai in kochi onmanorama - Mar 31 2023

web 1 day ago amala paul and her boyfriend jagat desai have sealed their love with a lavishly beautiful lavender themed wedding in kochi known for her stellar performances in tamil malayalam and telugu films amala made her bollywood debut earlier this year with ajay devgn s bhola their love story culminated in a memorable wedding ceremony ten

[old blue film kerala store spiralny com](#) - Jul 23 2022

web old blue film kerala 3 3 explore bustling markets cruise romantic backwaters study kathakali drama trek through jungles chill out in a beach resort or hill station this invaluable guide tells you how 19 detailed maps including a full colour map of the state extensive accommodation listings from treehouses and houseboats to

[old blue film kerala wrbb neu edu](#) - May 21 2022

web 2 old blue film kerala 2019 11 18 solutions for all the questions clear exam with good grades using thoroughly researched content by experts third world film making and the west simon and schuster includes a selection from sleeping beauties by stephen and owen king after page 1157 to be published in sept 2017 the god of small things disha

old blue film kerala pqr uiaf gov co - Aug 24 2022

web old blue film kerala right here we have countless books old blue film kerala and collections to check out we additionally have enough money variant types and along with type of the books to browse the gratifying book fiction history novel scientific research as competently as various additional sorts of books are readily friendly here

[malayalam did malayalam blue film](#) - Oct 06 2023

web jun 19 2021 part 1 youtube seeking the truths behind the existence of a malayalam blue film industry [old blue film kerala ws 1 ps2pdf com](#) seeking the truths behind the existence of a

old blue film kerala ws 1 ps2pdf com - Apr 19 2022

web old blue film kerala downloaded from ws 1 ps2pdf com by guest schmidt antwan bulletin of the atomic scientists delhi press the road movie is one of the most tried and true genres a staple since the earliest days of cinema this book looks at the road movie from a wider perspective than ever before exploring the motif of

old blue film kerala pdf election tv standardmedia co - Mar 19 2022

web old blue film kerala 2014 09 13 1 17 old blue film kerala introduction old blue film kerala pdf feeling kerala human rights violations in post independent india kerala scenario international congress on kerala studies 27 29 august

10 adult malayalam films you don t want to miss asianet newsable - Aug 04 2023

web feb 26 2017 10 adult malayalam films you don t want to miss 10 adult malayalam films you don t want to miss kerala man sentenced to 32 years imprisonment for sexually assaulting minor boy in kasaragod recent videos khalasi sensation aditya gadhvi shares inspiring moments with pm modi watch

[old blue film kerala wrbb neu](#) - Jun 21 2022

web as this old blue film kerala it ends happening creature one of the favored ebook old blue film kerala collections that we have this is why you remain in the best website to look the unbelievable ebook to have old blue film kerala 2020 02 18 lewis riddle the god of small things univ of california press

[blue malayalam movie review ott release date trailer](#) - May 01 2023

web blue malayalam movie 2022 check out the latest news about rahman s blue movie and its story cast crew release date photos review box office collections and much more only on filmibeat

kerala high court directive on online film reviews sets a - Jan 29 2023

web nov 1 2023 recently the kerala high court issued a directive to the authorities to prevent online reviews of films by social media influencers youtube reviewers and bloggers for seven days following the release of the film the plea was primarily made by mubeen rauf director of aromalinte adyathe pranayam and was supported by the producers

shritha sivadas new film blue i latest malayalam movie news - Sep 05 2023

web apr 29 2014 shritha sivadas new film blue i latest malayalam movie news rdinary fame shritha sivadas is all set for her next outing blue shritha will play an architect in the film the actor was last seen

old blue film kerala groover sch bme hu - Feb 15 2022

web old blue film kerala the 30 best places to go with kids rough guides travel sexualviolence janpanese ftee site porno rape rape telangana andhrapradesh india politics movie reviews best tailor made holidays to india travel and explore history of kerala wikipedia hard home video rape sex movie tube and purn xxx milfzr daily

history of kerala wikipedia - Dec 28 2022

web kerala varma pazhassi raja kerul varma pyche rajah cotiote rajah 1753 1805 was the prince regent and the de facto ruler of the kingdom of kottayam in malabar india between 1774 and 1805 he led the pychy rebellion wynaad insurrection coiote war against the english east india company he is popularly known as kerala simham lion

top 10 superhit b grade movies in malayalam - Jun 02 2023

web jul 17 2018 b movie or b film is a low budget commercial movie but not an arthouse film in its original usage during the golden age of hollywood the term more precisely identified films intended for distribution as the less publicized bottom half of a double feature akin to b sides for recorded music

blue film tamil malayalam youtube - Oct 26 2022

web jul 5 2011 video uploaded from my mobile phone

[music of kerala wikipedia](#) - Nov 26 2022

web kerala music and drama academy thrissur folksong performance of desathudi folkgroup pattambi kerala india the music of kerala has a long and rich history it is not the same as malayalam poetry although most of it is poetry driven kerala has a

rich tradition in carnatic music songs formed a major part of early malayalam literature which traces its [history of the regal kasavu sari from kerala the times of india](#) - Sep 24 2022

web oct 29 2023 02 6 the beginnings timeless elegance the kasavu sari s history dates back centuries and its roots can be traced to the time when kerala flourished as a major trade hub these sarees known

tea sommeleir a step by step guide by minet delmas - Mar 30 2022

web buy tea sommelier a step by step guide by francois xavier delmas mathias minet online at alibris we have new and used copies available in 1 editions starting at

tea sommelier a step by step guide amazon com tr - Jan 08 2023

web buy tea sommelier a step by step guide reprinting may 2023 by françois xavier delmas isbn 9780789213129 from amazon s book store everyday low prices and

tea sommelier a step by step guide google books - Jul 14 2023

web sep 18 2018 tea sommelier will provide the knowledge and practical tips you need to feel at home in the world of tea in 160 easy lessons no matter how much time you

what is a tea sommelier brewed leaf love - Nov 25 2021

web aug 9 2023 tea sommeleir a step by step guide minet mathias amazon com au books skip to main content com au delivering to sydney 1171 to

tea sommelier a step by step guide barnes noble - Apr 11 2023

web tea sommelier will provide the knowledge and practical tips you need to feel at home in the world of tea in 160 easy lessons no matter how much time you have ten minutes or

who are tea sommeliers and what do they do teatime - Dec 27 2021

web feb 4 2013 the term tea sommelier has been popping up for awhile now several years actually in fact an online search produced a wealth of hits plus intrepid tea guy

tea sommelier a step by step guide goodreads - Jun 13 2023

web home in the world of tea in 160 easy lessons no matter how much time you have ten minutes or an hour this book will always teach you something new and interesting

tea sommelier a step by step guide book review - Mar 10 2023

web tea sommelier a step by step guide delmas françois xavier minet mathias amazon com tr kitap

tea sommelier a step by step guide hardcover amazon de - Sep 04 2022

web tea sommelier a step by step guide book synopsis tea in all its varieties offers just as much subtlety and complexity as fine wine and in many countries around the globe

[tea sommeleir a step by step guide amazon com au](#) - Oct 05 2022

web tea sommelier offers a new approach that is highly informative yet straightforward allowing readers to understand the world of tea step by step every page is designed as a short

[get pdf download tea sommelier a step by step guide yumpu](#) - Feb 26 2022

web feb 14 2019 tea sommeliers are people who much like wine sommeliers are trained in the taste history and general knowledge of tea similar to wine sommelier they can

[what is a tea sommelier tea blog](#) - Oct 25 2021

tea sommelier a step by step guide hardcover amazon co uk - Nov 06 2022

web tea sommelier will provide the knowledge and practical tips you need to feel at home in the world of tea in 160 easy lessons no matter how much time you have ten minutes or

tea sommelier a step by step guide hardcover amazon ca - Feb 09 2023

web buy tea sommelier a step by step guide by delmas françois xavier online on amazon ae at best prices fast and free shipping free returns cash on delivery available

[palais des thés tea sommelier a step by step guide](#) - Aug 03 2022

web sep 18 2018 december 25 2021 history edit an edition of tea sommelier 2018 tea sommelier a step by step guide by françois xavier delmas and mathias minet 0

tea sommelier a step by step guide alibris - Jan 28 2022

web a tea sommelier has been trained to be able to identify different types of tea is an expert at brewing using the proper techniques and is able to recommend tea and food pairings a

[tea sommelier a step by step guide hardcover](#) - Aug 15 2023

web sep 18 2018 tea sommelier a step by step guide delmas françois xavier minet mathias tiberghien lauriane 9780789213129 amazon com books books

tea sommelier a step by step guide docdroid - May 12 2023

web sep 18 2018 tea sommelier will provide the knowledge and practical tips you need to feel at home in the world of tea in 160 easy lessons no matter how much time you

tea sommelier by françois xavier delmas open library - Jun 01 2022

web sep 18 2018 booktopia has tea sommeleir a step by step guide by minet delmas buy a discounted hardcover of tea sommeleir online from australia s leading online

[tea sommeleir a step by step guide hardcover 1 november](#) - Sep 23 2021

tea sommelier a step by step guide hardcover abebooks - Apr 30 2022

web may 27 2022 download tea sommelier a step by step guide read ebook online pdf epub kindle download tea sommelier a step by step guide pdf kindle

tea sommelier a step by step guide amazon ae - Dec 07 2022

web tea sommeleir a step by step guide hardcover 1 november 2018 by mathias minet author 4 7 171 ratings see all formats and editions a simple and fun approach

read tea sommelier a step by step guide pdf docdroid - Jul 02 2022

web topics include the varieties of tea and where they are grown how to select and prepare tea how to taste and serve it how to pair tea with food and how to cook with tea stylish

[citeseerx nanoscale phase separation and colossal](#) - May 31 2022

web we would like to show you a description here but the site won t allow us

direct imaging of nanoscale phase separation in - Nov 05 2022

web aug 28 2009 a nanoscale phase is known to coincide with colossal magnetoresistance cmr in manganites but its volume fraction is believed to be too small to affect cmr

nanoscale phase separation and colossal magnetoresistance - Mar 29 2022

web hole doped manganites observation of nanoscale electronic phase separation and the nanoscale phase separation in hole doped manganites ferromagnetic domain

nanoscalephaseseparationandcolossal magnetore pdf - Nov 24 2021

web the features and mechanism of colossal magnetoresistance or cmr in manganese oxides as well as device physics are highlighted in this book with a focus on tunneling

cond mat 0209689 nanoscale phase separation in colossal - Sep 03 2022

web sep 30 2002 abstract a recent vast experimental and theoretical effort in manganites has shown that the colossal magnetoresistance effect can be understood based on the

nanoscalephaseseparationandcolossal magnetore download - Dec 26 2021

web the relationship between local structure and magnetization in colossal magnetoresistant manganites strongly correlated electron materials disorder and strain induced

colossal magnetoresistant materials the key role of - Dec 06 2022

web apr 1 2001 the phase diagram of $La_{1-z}Nd_zNi_xCa_{1-x}MnO_3$ investigated by moritomo 1999b also shows a competition between fm and co with phase separation

[nanoscale phase separation and colossal magnetoresistance](#) - Oct 04 2022

web mar 14 2013 a considerable effort both on theory and experiments has led to the currently much accepted notion that nanoscale phase separation is at the heart of the

nanoscale phase separation in colossal - Jul 13 2023

web apr 1 2003 the discovery of electronic phase separation in manganite models described in the previous section and the resulting nanoscale coexisting clustered state upon the

direct imaging of nanoscale phase separation in - May 11 2023

web aug 27 2009 a nanoscale phase is known to coincide with colossal magnetoresistance cmr in manganites but its volume fraction is believed to be too small to affect cmr

nanoscale phase separation and colossal magnetore - Apr 29 2022

web nanoscale phase separation and colossal magnetore electron scattering in solid matter quantum theory of magnetism colossal magnetoresistive manganites frontiers in

nanoscale phase separation and colossal magnetore - Jan 27 2022

web merely said the nanoscale phase separation and colossal magnetore is universally compatible with any devices to read exchange bias surender kumar sharma 2017 09

nanoscale phase separation in colossal magnetoresistance - Jul 01 2022

web sep 30 2002 this phenomenon of the phase separation was developed for two cases and was confirmed experimentally using 1 electronic phase separation 2 disorder

nanoscale phase separation and colossal magnetoresistance - Sep 22 2021

web nanoscale phase separation and colossal magnetoresistance nanoscale phase separation and colossal magnetoresistance origin of colossal magnetoresistance in

e dagotto nanoscale phase separation and colossal springer - Mar 09 2023

web clearly presents mixed phase tendencies with large submicrometer size domains see chap II with such large clusters optical techniques should detect the coexistence of

nanoscale phase separation and colossal magnetoresistance - Apr 10 2023

web jan 17 2003 a considerable effort both on theory and experiments has led to the currently much accepted notion that nanoscale phase separation is at the heart of the

nanoscale phase separation in colossal magnetoresistance - Jan 07 2023

web apr 1 2003 the discovery of electronic phase separation in manganite models described in the previous section and the resulting nanoscale coexisting clustered state upon the

chapter 15 nanoscale phase separation in complex magnetic - Feb 08 2023

web properties and first of all due to the phenomena of colossal negative magnetoresistance colossal up to 10² 10³ times decrease of resistivity in moderately strong magnetic

nanoscale phase separation and colossal magnetoresistance download - Feb 25 2022

web originate in the competition of phases the book addresses nanoscale phase separation focusing on the manganese oxides known as manganites that have the colossal

nanoscale phase separation and colossal - Aug 14 2023

web most advanced book in this topic of solid state sciences including contributions by nobel laureates first book dealing with the new effect of colossal magnetoresistance important for the design of new devices exploiting the colossal magnetoresistance effect

e dagotto nanoscale phase separation and colossal springer - Jun 12 2023

web mation due to the electronic phase separation mechanism chap 6 is not operative in manganites it is possible that both mechanism could be simultaneously at work but by

nanoscale phase separation and colossal magnetoresistance 2022 - Oct 24 2021

web advances in nanoscale magnetism colossal magnetoresistive manganites introduction to the physics of diluted magnetic semiconductors proceedings of the workshop the

nanoscale phase separation and colossal magnetoresistance 2023 - Aug 02 2022

web the book addresses nanoscale phase separation focusing on the manganese oxides known as manganites that have the colossal magnetoresistance cmr effect of