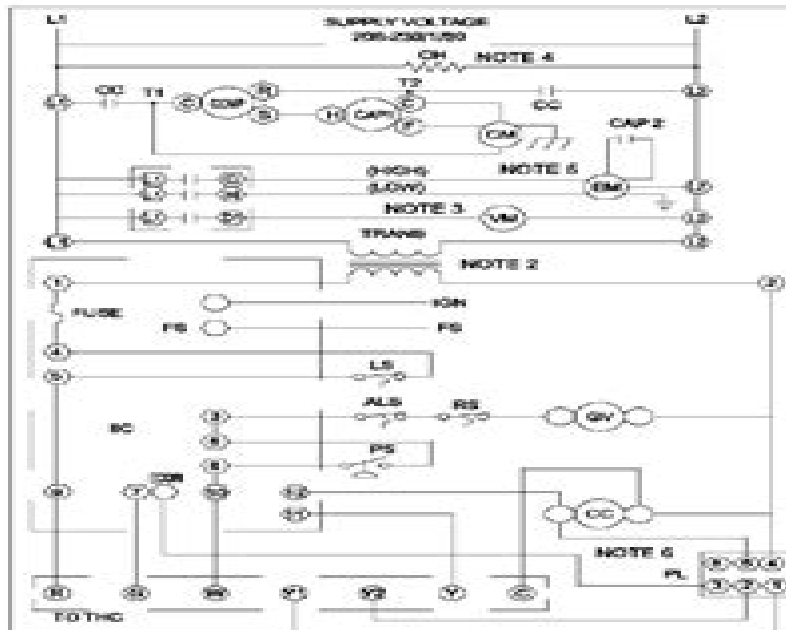


GPG13(24,30,36,42)1A WIRING DIAGRAM



WARNING

HIGH VOLTAGE!
DISCONNECT ALL POWER BEFORE SERVICING OR INSTALLING THIS UNIT. MULTIPLE POWER SOURCES MAY BE PRESENT. FAILURE TO DO SO MAY CAUSE PROPERTY DAMAGE, PERSONAL INJURY OR DEATH.



- COMPONENT LEGEND**
- ALS AUXILIARY LIMIT SWITCH
 - CAP CAPACITOR
 - COMP COMPRESSOR
 - CM CONDENSER MOTOR
 - CC CONTACTOR
 - CH CRANKCASE HEATER
 - FM FAN MOTOR
 - FS FLAME SENSOR
 - GV GAS VALVE
 - IC INTEGRATED IGNITION CONTROL
 - IGN IGNITION
 - LS LIMIT SWITCH
 - PL PLUG
 - PS PRESSURE SWITCH
 - RS ROLLOUT SWITCH
 - THC THERMOSTAT HEAT & COOL
 - TRANS TRANSFORMER
 - VM VENT MOTOR
- WIRE SPICE**
- MARKED TERMINAL
 - UNMARKED TERMINAL
 - WIRING
 - LINE VOLTAGE
 - LOW VOLTAGE
 - FIELD INSTALLED POWER
 - FIELD INSTALLED CONTROL
- WIRE COLOR**
- B BLACK
 - BL BLUE
 - BRN BROWN
 - C GREEN
 - O ORANGE
 - PK PINK
 - PU PURPLE
 - R RED
 - W WHITE
 - Y YELLOW

- NOTES**
- REPLACEMENT WIRE MUST BE THE SAME SIZE AND TYPE OF INSULATION AS ORIGINAL WIRE (COPPER CONDUCTOR ONLY).
 - FOR 208 VOLT TRANSFORMER OPERATION MOVE BLACK WIRE FROM TERMINAL (3) TO TERMINAL (2) ON TRANSFORMER.
 - SOME MODELS HAVE VENT MOTORS (EQUIPPED WITH A 208V LEAD (RED) AND A 208V (BLACK). IF EQUIPPED, CONNECT VENT MOTOR BLACK LEAD IN PLACE OF RED LEAD AT IC (2) FOR 208V OPERATION.
 - CRANKCASE HEATER (OPTIONAL).
 - FOR DIFFERENT THAN FACTORY SPEED AND CHANGE COOLING SPEED AT COOL TERMINAL (C), CHANGE HEATING SPEED AT HEAT TERMINAL (H).
- 3 SPEED MOTOR**
- BL - HIGH SPEED
 - BL - MEDIUM HIGH SPEED
 - Y - MEDIUM LOW SPEED
 - R - LOW SPEED
- 2 SPEED MOTOR**
- R - HIGH SPEED
 - BL - MEDIUM SPEED
 - R - LOW SPEED
- 5. ACCESSORY ECONOMIZER PLUG (ON SELECT MODELS) ADJACENT TO BLOWER HOUSING IN RETURN AIR COMPARTMENT.**

INSTALLER/SERVICEMAN

THE STATUS LIGHT ON THE FURNACE CONTROL MAY BE USED AS A GUIDE TO TROUBLESHOOTING THIS APPLIANCE. STATUS LIGHT CODES ARE AS FOLLOWS:

STATUS LIGHT	COUP STATUS	CHECK
ON	NORMAL OPERATION	-
OFF	NO POWER OR INTERNAL CONTROL FAILURE	CHECK INPUT POWER DISCONNECT REVERSE REVERSE CONNECTION
1 BLINK	IGNITION FAILURE OR OPEN ROLLOUT SWITCH OR OPEN AUX. LIMIT SWITCH	CHECK FLOW GAS PRESSURE GAS VALVE FLAME SENSOR FLAME ROLLOUT SAFETY SWITCH
2 BLINKS	PRESS. SW. SWITCH OPEN	CHECK PRESSURE SWITCH
3 BLINKS	PRESSURE SWITCH CLOSED WITHOUT INDICATOR ON	CHECK PRESSURE SWITCH
4 BLINKS	OPEN LIMIT SWITCH	CHECK LIMIT SWITCH
5 BLINKS	FALSE FLAME SENSED	CHECK GAS VALVE
6 BLINKS	COMPRESSOR OUTPUT DELAY	3 MIN. COMP. ANTI-CYCLE TIMER

THC-FIELD WIRING

2-NO. ECONOMIZER



2-STAGE COOLING



THC WITH ECONOMIZER OPTION



84312003 REV. B

Goodman A24 Manual

Karin Nielsen-Saines



Goodman A24 Manual:

Student Solutions Manual for Goodman/Hirsch's Precalculus Hirsch Goodman, Ross Ruegger, 2000 Detailed solutions to odd numbered problems and strategies for solving additional exercises [User's Manual for an Army National Guard \(ARNG\) Armor and Mechanized Infantry Gunnery Training Assessment Database](#) Monte D. Smith, 1998 This user's manual describes a longitudinal database designed to permit the storage retrieval and analyses of gunnery related data generated with Army National Guard ARNG armored and mechanized infantry units The database was developed as part of an assessment of the Simulation in Training for Advanced Readiness SIMITAR time compressed gunnery training strategy as implemented in a test ARNG armored brigade Smith in publication It contains gunnery performance measures from this test brigade and from six other enhanced comparison brigades where the SIMITAR training strategy was not introduced These measures were collected from 1993 1997 and include first run and final live fire Table VIII gunnery qualification scores tank main gun ammunition expenditures related measures information needed for assessing the impact of different training strategy interventions and space set aside for recording the outcomes of training aids devices simulators and simulations TADSS usage The database is configured within a software program known as the Statistical Package for the Social Sciences SPSS Version 6 1 for Windows Its files can be exported in a number of formats including spreadsheet and database management programs as well as into a number of other statistical utilities This user's manual will help ARNG database managers use the SIMITAR database as a convenient repository for gunnery performance and related information and as a resource for future gunner related strategy impact investigations P i

Information Security Seymour Goodman, Detmar W. Straub, Richard Baskerville, 2016-09-16 Information security is everyone's concern The way we live is underwritten by information system infrastructures most notably the Internet The functioning of our business organizations the management of our supply chains and the operation of our governments depend on the secure flow of information In an organizational environment information security is a never ending process of protecting information and the systems that produce it This volume in the Advances in Management Information Systems series covers the managerial landscape of information security It deals with how organizations and nations organize their information security policies and efforts The book covers how to strategize and implement security with a special focus on emerging technologies It highlights the wealth of security technologies and also indicates that the problem is not a lack of technology but rather its intelligent application [The United States Catalog](#) ,1925 [Cumulative Book Index](#) ,1925 A world list of books in the English language [Mergent International Manual](#) ,2003

Missouri Railroads Don L. Hofsommer, Carlos Arnaldo Schwantes, 2025-08-05 Missouri Railroads A Modern Crossroads 1921 2023 delves into the rich history of Missouri's railroads during their second century From the roaring 1920s when opulent Limited passenger trains crisscrossed the state to the tumultuous times of the Great Depression and World War II this book captures the essence of an era As the postwar years unfolded Missouri's railroads

faced realignments and challenges The mid twentieth century witnessed shifts in routes technologies and passenger preferences Against this backdrop the book explores how the railroads adapted in the face of uncertainty Stunning historical images over 100 in color breathe life into this transformative period and bring the story to the present day Missouri Railroads goes beyond the history of a single state and its railroads to illustrate Missouri s vital role in shaping American railroading These railroad companies mirrored national trends yet each twist and turn carries a distinct local flavor Authors Don L Hofsommer and Carlos A Schwantes weave a captivating narrative that celebrates Missouri s contribution to the broader American story

The United States Catalog Mary Burnham,Carol Hurd,1928 *Journal of the American Podiatry Association* American Podiatry Association,1958

Bibliographic Guide to Computer Science ,1989

Embark on a transformative journey with Explore the World with is captivating work, Grab Your Copy of **Goodman A24 Manual** . This enlightening ebook, available for download in a convenient PDF format , invites you to explore a world of boundless knowledge. Unleash your intellectual curiosity and discover the power of words as you dive into this riveting creation. Download now and elevate your reading experience to new heights .

https://staging.conocer.cide.edu/files/browse/default.aspx/Fa260_Installation_Manual.pdf

Table of Contents Goodman A24 Manual

1. Understanding the eBook Goodman A24 Manual
 - The Rise of Digital Reading Goodman A24 Manual
 - Advantages of eBooks Over Traditional Books
2. Identifying Goodman A24 Manual
 - Exploring Different Genres
 - Considering Fiction vs. Non-Fiction
 - Determining Your Reading Goals
3. Choosing the Right eBook Platform
 - Popular eBook Platforms
 - Features to Look for in an Goodman A24 Manual
 - User-Friendly Interface
4. Exploring eBook Recommendations from Goodman A24 Manual
 - Personalized Recommendations
 - Goodman A24 Manual User Reviews and Ratings
 - Goodman A24 Manual and Bestseller Lists
5. Accessing Goodman A24 Manual Free and Paid eBooks
 - Goodman A24 Manual Public Domain eBooks
 - Goodman A24 Manual eBook Subscription Services
 - Goodman A24 Manual Budget-Friendly Options

6. Navigating Goodman A24 Manual eBook Formats
 - ePub, PDF, MOBI, and More
 - Goodman A24 Manual Compatibility with Devices
 - Goodman A24 Manual Enhanced eBook Features
7. Enhancing Your Reading Experience
 - Adjustable Fonts and Text Sizes of Goodman A24 Manual
 - Highlighting and Note-Taking Goodman A24 Manual
 - Interactive Elements Goodman A24 Manual
8. Staying Engaged with Goodman A24 Manual
 - Joining Online Reading Communities
 - Participating in Virtual Book Clubs
 - Following Authors and Publishers Goodman A24 Manual
9. Balancing eBooks and Physical Books Goodman A24 Manual
 - Benefits of a Digital Library
 - Creating a Diverse Reading Collection Goodman A24 Manual
10. Overcoming Reading Challenges
 - Dealing with Digital Eye Strain
 - Minimizing Distractions
 - Managing Screen Time
11. Cultivating a Reading Routine Goodman A24 Manual
 - Setting Reading Goals Goodman A24 Manual
 - Carving Out Dedicated Reading Time
12. Sourcing Reliable Information of Goodman A24 Manual
 - Fact-Checking eBook Content of Goodman A24 Manual
 - Distinguishing Credible Sources
13. Promoting Lifelong Learning
 - Utilizing eBooks for Skill Development
 - Exploring Educational eBooks
14. Embracing eBook Trends
 - Integration of Multimedia Elements

- Interactive and Gamified eBooks

Goodman A24 Manual Introduction

In the digital age, access to information has become easier than ever before. The ability to download Goodman A24 Manual has revolutionized the way we consume written content. Whether you are a student looking for course material, an avid reader searching for your next favorite book, or a professional seeking research papers, the option to download Goodman A24 Manual has opened up a world of possibilities. Downloading Goodman A24 Manual provides numerous advantages over physical copies of books and documents. Firstly, it is incredibly convenient. Gone are the days of carrying around heavy textbooks or bulky folders filled with papers. With the click of a button, you can gain immediate access to valuable resources on any device. This convenience allows for efficient studying, researching, and reading on the go. Moreover, the cost-effective nature of downloading Goodman A24 Manual has democratized knowledge. Traditional books and academic journals can be expensive, making it difficult for individuals with limited financial resources to access information. By offering free PDF downloads, publishers and authors are enabling a wider audience to benefit from their work. This inclusivity promotes equal opportunities for learning and personal growth. There are numerous websites and platforms where individuals can download Goodman A24 Manual. These websites range from academic databases offering research papers and journals to online libraries with an expansive collection of books from various genres. Many authors and publishers also upload their work to specific websites, granting readers access to their content without any charge. These platforms not only provide access to existing literature but also serve as an excellent platform for undiscovered authors to share their work with the world. However, it is essential to be cautious while downloading Goodman A24 Manual. Some websites may offer pirated or illegally obtained copies of copyrighted material. Engaging in such activities not only violates copyright laws but also undermines the efforts of authors, publishers, and researchers. To ensure ethical downloading, it is advisable to utilize reputable websites that prioritize the legal distribution of content. When downloading Goodman A24 Manual, users should also consider the potential security risks associated with online platforms. Malicious actors may exploit vulnerabilities in unprotected websites to distribute malware or steal personal information. To protect themselves, individuals should ensure their devices have reliable antivirus software installed and validate the legitimacy of the websites they are downloading from. In conclusion, the ability to download Goodman A24 Manual has transformed the way we access information. With the convenience, cost-effectiveness, and accessibility it offers, free PDF downloads have become a popular choice for students, researchers, and book lovers worldwide. However, it is crucial to engage in ethical downloading practices and prioritize personal security when utilizing online platforms. By doing so, individuals can make the most of the vast array of free PDF resources available and embark on a journey of continuous learning and intellectual growth.

FAQs About Goodman A24 Manual Books

How do I know which eBook platform is the best for me? Finding the best eBook platform depends on your reading preferences and device compatibility. Research different platforms, read user reviews, and explore their features before making a choice. Are free eBooks of good quality? Yes, many reputable platforms offer high-quality free eBooks, including classics and public domain works. However, make sure to verify the source to ensure the eBook credibility. Can I read eBooks without an eReader? Absolutely! Most eBook platforms offer web-based readers or mobile apps that allow you to read eBooks on your computer, tablet, or smartphone. How do I avoid digital eye strain while reading eBooks? To prevent digital eye strain, take regular breaks, adjust the font size and background color, and ensure proper lighting while reading eBooks. What the advantage of interactive eBooks? Interactive eBooks incorporate multimedia elements, quizzes, and activities, enhancing the reader engagement and providing a more immersive learning experience. Goodman A24 Manual is one of the best book in our library for free trial. We provide copy of Goodman A24 Manual in digital format, so the resources that you find are reliable. There are also many Ebooks of related with Goodman A24 Manual. Where to download Goodman A24 Manual online for free? Are you looking for Goodman A24 Manual PDF? This is definitely going to save you time and cash in something you should think about.

Find Goodman A24 Manual :

[fa260 installation manual](#)

[faa owners manual on piper cherokee 140](#)

[factoring page 68 1984 by dale seymour publications](#)

[faery tale adventure hall dead manual](#)

[fairchild fa2100 manual](#)

[fake paper id template texas](#)

[factory service manual buick lucerne 2015](#)

[fable temple of avo guide](#)

[fafsa paper application 21](#)

[factset user guide](#)

[factoring ax² bx c worksheet hands on algebra](#)

[fabrivation service manual](#)

[factory service manual honda crv](#)

fafaprderdiagnostische lernbeobachtung individuelle lernfafaprderung

fake it til you make it english edition

Goodman A24 Manual :

que cada cosa cruel sea tú que vuelves poesía portátil - Nov 25 2021

web que cada cosa cruel sea tú que vuelves poesía portátil de cortázar julio en iberlibro com isbn 10 8439734611 isbn 13 9788439734611 random house 2018

que cada cosa cruel sea tú que vuelves overdrive - Dec 27 2021

web jun 14 2018 que cada cosa cruel sea tú que vuelves de la colección poesía portátil constituye una ventana a la poesía de uno de los escritores argentinos más relevantes

que cada cosa cruel sea tú que vuelves poesía portátil - Jun 13 2023

web que cada cosa cruel sea tú que vuelves de la colección poesía portátil constituye una ventana a la poesía de uno de los escritores argentinos más relevantes del siglo xx p

que cada cosa cruel sea tú que vuelves anika entre libros - Jul 02 2022

web que cada cosa cruel sea tú que vuelves es una pequeña antología que reúne los poemas más memorables del argentino opinión que cada cosa cruel sea tú que

que cada cosa cruel sea tu que vuelves poesia por - Feb 26 2022

web que cada cosa cruel sea tu que vuelves poesia por cortázar que cada cosa cruel sea tú que vuelves may you return to my life with every misfortune jul 12 2023

que cada cosa cruel sea tú que vuelves todos tus libros - Jun 01 2022

web que cada cosa cruel sea tú que vuelves de la colección poesía portátil constituye una ventana a la poesía de uno de los escritores argentinos más relevantes del siglo xx la

que cada cosa cruel sea tu que vuelves poesia por - Oct 25 2021

web que cada cosa cruel sea tu que vuelves poesia por downloaded from ftp orioleresources com by guest mooney slade cortázar que cada cosa cruel sea

que cada cosa cruel sea tÚ que vuelves julio - Aug 03 2022

web que cada cosa cruel sea tú que vuelves de la colección poesía portátil constituye una ventana a la poesía de uno de los escritores argentinos más relevantes del siglo xx la

que cada cosa cruel sea tú que vuelves flash poesía apple - Mar 30 2022

web que cada cosa cruel sea tú que vuelves de la colección poesía portátil constituye una ventana a la poesía de uno de los

escritores argentinos más relevantes del siglo xx la

que cada cosa cruel sea tú que vuelves poesía portátil - Nov 06 2022

web que cada cosa cruel sea tú que vuelves poesía portátil julio cortázar fragmento la hoguera donde arde una fue el primero en acusarme de sin pruebas y quizá

amazon com cortázar que cada cosa cruel sea tú que vuelves - Jan 28 2022

web que cada cosa cruel sea tú que vuelves de la colección poesía portátil constituye una ventana a la poesía de uno de los escritores argentinos más relevantes del siglo xx la

que cada cosa cruel sea tú que vuelves poesía portátil 2018 - Apr 30 2022

web que cada cosa cruel sea tú que vuelves de la colección poesía portátil constituye una ventana a la poesía de uno de los escritores argentinos más relevantes del siglo xx la

que cada cosa cruel sea tú que vuelves penguin libros - Mar 10 2023

web que cada cosa cruel sea tú que vuelves de la colección poesía portátil constituye una ventana a la poesía de uno de los escritores argentinos más relevantes del siglo xx

que cada cosa cruel sea tú que vuelves penguin libros - Jul 14 2023

web que cada cosa cruel sea tú que vuelves de la colección poesía portátil constituye una ventana a la poesía de uno de los escritores argentinos más relevantes del siglo xx

que cada cosa cruel sea tú que vuelves comfama overdrive - Sep 23 2021

web que cada cosa cruel sea tú que vuelves de la colección poesía portátil constituye una ventana a la poesía de uno de los escritores argentinos más relevantes del siglo xx la

que cada cosa cruel sea tú que vuelves flash poesía - Jan 08 2023

web jun 14 2018 que cada cosa cruel sea tú que vuelves de la colección poesía portátil constituye una ventana a la poesía de uno de los escritores argentinos más relevantes

que cada cosa cruel sea tú que vuelves flash poesía ebook - Sep 04 2022

web jun 14 2018 que cada cosa cruel sea tú que vuelves de la colección poesía portátil constituye una ventana a la poesía de uno de los escritores argentinos más relevantes

que cada cosa cruel sea tú que vuelves lavanguardia com - Feb 09 2023

web jun 14 2018 sinopsis que cada cosa cruel sea tú que vuelves de la colección poesía portátil constituye una ventana a la poesía de uno de los escritores argentinos más

cortázar que cada cosa cruel sea tú que vuelves may you - Aug 15 2023

web que cada cosa cruel sea tú que vuelves de la colección poesía portátil constituye una ventana a la poesía de uno de los

escritores argentinos más relevantes del siglo xx la

que cada cosa cruel sea tú que vuelves flash poesía - Oct 05 2022

web que cada cosa cruel sea tú que vuelves flash poesía julio cortázar random house june 2018 que cada cosa cruel sea tú que vuelves de la colección poesía

que cada cosa cruel sea tú que vuelves flash poesía - May 12 2023

web oct 1 2018 que cada cosa cruel sea tú que vuelves de la colección poesía portátil constituye una ventana a la poesía de uno de los escritores argentinos más relevantes

que cada cosa cruel sea tú que vuelves flash poesía - Dec 07 2022

web que cada cosa cruel sea tú que vuelves flash poesía julio cortázar literatura random house junio 2018 que cada cosa cruel sea tú que vuelves de la

que cada cosa cruel sea tÚ que vuelves - Apr 11 2023

web que cada cosa cruel sea tú que vuelves de la colección poesía portátil constituye una ventana a la poesía de uno de los escritores argentinos más relevantes del siglo xx la

mathematics with business applications 9780078692512 - Feb 11 2023

web find step by step solutions and answers to exercise 8 from mathematics with business applications 9780078692512 as well as thousands of textbooks so you can move forward with confidence fresh features from the 1 ai enhanced learning platform

mathematics with business applications 9780078692512 - Mar 12 2023

web find step by step solutions and answers to exercise 21 from mathematics with business applications 9780078692512 as well as thousands of textbooks so you can move forward with confidence fresh features from the 1 ai enhanced learning platform

study guide mathematics with business applications answers bing - Nov 08 2022

web tables you leave need to complete some of the concerns are provided following chapter 23 below comprehensive answers are provided at who end of and study guide for you into check your work chapter 1 gross income 102 0k chapter 2 net income 89 0k chapters 3 recordkeeping 74 0k chapter 4 checking accounts 104 0k

mathematics with business applications 9780078692512 quizlet - Jun 15 2023

web find step by step solutions and answers to mathematics with business applications 9780078692512 as well as thousands of textbooks so you can move forward with confidence

mathematics with business applications lange walter henry - Jan 10 2023

web fun activities for building basic and business math skills school to work activities interdisciplinary activities enrichment

activity book pre algebra applications technology resource handbook competitive events block scheduling nctm and nbea standards

mathematics with business applications mcgraw hill education - Aug 05 2022

web mathematics with business applications student center click on the links under student center at the left to access feature related resources activities and links

mathematics with business applications answers bing pdf - Jan 30 2022

web apr 20 2023 mathematics with business applications answers bing 1 10 downloaded from uniport edu ng on april 20 2023 by guest mathematics with business applications answers bing when people should go to the books stores search instigation by shop shelf by shelf it is in fact problematic this is why we provide the ebook compilations in this

mathematics with business applications student edition 6th chegg - Jul 16 2023

web it s easier to figure out tough problems faster using chegg study unlike static pdf mathematics with business applications student edition 6th edition solution manuals or printed answer keys our experts show you how to solve each problem step by step

chapter 1 3 solutions mathematics with business applications chegg - May 14 2023

web access mathematics with business applications student edition 6th edition chapter 1 3 solutions now our solutions are written by chegg experts so you can be assured of the highest quality

mathematics with business applications mcgraw hill education - Apr 13 2023

web the study guide is a convenient section by section review of the textbook with lesson summaries formulas examples and practice problems tables you will need to complete some of the problems are provided after chapter 23 below complete answers are provided at the end of the study guide for you to check your work this form changes settings

mathematics with business applications student edition - Apr 01 2022

web jan 3 2006 mcgraw hill education jan 3 2006 business economics 840 pages glencoe math with business applications is a comprehensive text that covers all the skills students need to manage their personal finances and excel at their first jobs and in

mathematics with business applications extended textbook answer - May 02 2022

web mathematics are business applications lengthy textbook answer essential worldcat org mathematics with business applications expanded textbook answer key worldcat org

quiz 4 with answers introductory calculus with business applications - Jun 03 2022

web jul 19 2011 quiz 4 with answers introductory calculus with business applications math 108 quizzes for mathematics 20 points download george mason university gmU mathematics professor david walnut 2 pages number of pages math 108 quiz

4 16 february 2011 answer all of the following questions in the space

how to solve complex math equations with bing muo - Nov 27 2021

web aug 24 2018 focus the camera on the math equation that may be on paper or on the whiteboard the app can scan printed typed or handwritten equations bing detects the equation and calculates the answer swipe down past the solution and the app will display how it arrived at the answer step by step

study guide mathematics with business applications answers bing - Dec 09 2022

web graphics you willing need to complete some of the problems are granted after chapter 23 below complete answers are when at which end of the study instructions for you to check your work part 1 gross income 102 0k chapter 2 bag income 89 0k chapter 3 recordkeeping 74 0k chapter 4 checking accounts 104 0k

mathematics with business applications 5th edition quizlet - Aug 17 2023

web now with expert verified solutions from mathematics with business applications 5th edition you ll learn how to solve your toughest homework problems our resource for mathematics with business applications includes answers to chapter exercises as well as detailed information to walk you through the process step by step

mathematics with business applications answers bing pdf - Oct 07 2022

web aug 18 2023 we allow mathematics with business applications answers bing and numerous ebook collections from fictions to scientific research in any way in the midst of them is this mathematics with business applications answers bing that can be your partner mathematics and computation a contemporary view hans munthe kaas 2008

mathematics with business applications answers bing - Dec 29 2021

web mathematics with business applications answers bing 2 11 downloaded from las gnome org on february 5 2023 by guest include ethics and social responsibility small business concerns and entrepreneurship and global issues new coverage in this edition closely examines cutting edge topics like the impact of social media on business the

business math applications videos lessons study com - Feb 28 2022

web watch video lessons and learn about various applications for business mathematics the quizzes that follow each of the lessons can help you gauge

mathematics with business applications mcgraw hill education - Sep 06 2022

web mathematics with business applications the student center includes job finding tools and tips games math facts tools and tips continuing education homework hints real life applications disability support links business administration home product info site map contact us

business math applications chapter exam study com - Jul 04 2022

web business math applications chapter exam free practice test instructions choose your answer to the question and click

continue to see how you did then click next question to answer the next
[steine sammeln und erforschen mit stickern fur de copy](#) - Mar 21 2022

web may 6 2023 steine sammeln und erforschen mit stickern fur de 2 6 downloaded from uniport edu ng on may 6 2023 by guest and help them learn how to take action to contribute to the betterment of their school or community the manual also gives practical tips on how it can be used in various formal and non formal educational settings

[steine sammeln und erforschen mit stickern für deine sammlung](#) - Jan 31 2023

web 2018 br ovk 10 00 64 s mÄngelexemplar ungelesen und vollstÄndig aber mit leichten ÄuÄeren lager transportspuren mit einem stempel filzstiftstrich i

pdf steine sammeln und erforschen mit stickern fur de - Jul 25 2022

web steine sammeln und erforschen mit stickern fur de proceedings of the convention of the minnesota district of the lutheran church missouri synod sep 08 2022 legende der heiligen im vereine mit anderen herausgegeben von johannes laicus fortgesetzt von ida grÄfin hahn hahn etc apr 15 2023

[steine sammeln und erforschen mit stickern für dei picclick de](#) - May 03 2023

web steine sammeln und erforschen mit stickern für dei buch zustand sehr gut eur 10 55 zu verkaufen geprüfte gebrauchware certified second hand articles Über 3 000 000 artikel im 373658103032

steine sammeln in dänemark urlaub mit kindern in dänemark - May 23 2022

web doch es gibt etwas dass unsere kinder noch lieber machen steine sammeln in dänemark geht man mit kindern steine sammeln bedeutet das nicht nur eine menge spaß sondern es tut auch dem körper und der seele gut bepackt mit einem fröhlich bunten eimer wird durch den sand gestapft und ein stein nach dem anderen zur

steine sammeln und erforschen mit stickern fur de pdf - Mar 01 2023

web steine sammeln und erforschen mit stickern fur de bericht über die thÄtigkeit der zur erforschung der pest im jahre 1897 nach indien entsandten kommission erstattet von dr gaffky dr pfeiffer dr sticker dr dieudonné nebst einer anlage untersuchungen über die lepra von professor dr sticker sep 09 2021

[steine sammeln und erforschen mit stickern f 1r deine sammlung](#) - Dec 30 2022

web 15 09 2019 steine sammeln und erforschen mit stickern für deine sammlung nature zoom wernsing barbara koh yousun amazon de bücher

[steine sammeln und erforschen mit stickern für deine amazon de](#) - Oct 08 2023

web mit diesem buch im gepäck lernen junge naturforscher viele steinarten kennen und kommen ihren geheimnissen auf die spur außerdem verrät es wie man steine professionell präsentieren und was man sonst noch mit ihnen anstellen kann

steine sammeln und erforschen mit stickern für deine sammlung - Nov 28 2022

web steine sammeln und erforschen mit stickern für deine sammlung nature zoom bei kaufen 10 00 steine sammeln und erforschen mit stickern für deine sammlung nature zoom von barbara wernsing taschenbuch 13 juli 2018 verkaufsrank 143706 gewöhnlich versandfertig in 24 stunden preis 10 00 bücher versandkostenfrei nach d ch und a

steine sammeln und erforschen mit stickern für de 2022 mail - Sep 26 2022

web 4 steine sammeln und erforschen mit stickern für de 2023 02 11 mitgemacht und so vielgestaltig die erde aussieht so umfangreich und komplex ist auch das thema geologie aber keine sorge alecia spooner erklärt ihnen leicht verständlich alles wichtige was es zum thema geologie zu wissen gibt von den chemischen grundlagen und der

steine sammeln und erforschen mit stickern für dei buch - Aug 06 2023

web herausgeber publisher aktuell gibt es keine wesentlichen beschränkungen für deutschland und Österreich action abenteuer schutzumschlag cover booklet hülle box anleitung schutzumschlag kann unter umständen fehlen

steine sammeln und erforschen mit stickern für dei picclick de - Jul 05 2023

web steine sammeln und erforschen mit stickern für dei buch zustand sehr gut so macht sparen spaß bis zu 70 ggü neupreis

steine sammeln und erforschen mit stickern für de carolee - Apr 02 2023

web right here we have countless books steine sammeln und erforschen mit stickern für de and collections to check out we additionally provide variant types and moreover type of the books to browse the okay book fiction history novel scientific research as well as various other sorts of books are readily user friendly here as this steine

steine sammeln und erforschen mit stickern für dei picclick de - Jun 04 2023

web steine sammeln und erforschen mit stickern für dei buch zustand sehr gut eur 11 21 zu verkaufen geprüfte second hand artikel certified second hand articles Über 4 374601120939

steine sammeln und erforschen mit stickern für de sarah - Oct 28 2022

web link to buy and make bargains to download and install steine sammeln und erforschen mit stickern für de so simple die heinzelmännchen deutsch englisch august kopisch 2009 wie war zu köln es doch vordem mit heinzelmännchen so bequem how good it was in old cologne when brownies helped in hearth and home one starry night m

9783649627289 steine sammeln und erforschen mit stickern für - Sep 07 2023

web steine sammeln und erforschen mit stickern für deine sammlung nature zoom finden sie alle bücher von wernsing barbara bei der büchersuchmaschine eurobuch com können sie antiquarische und neubücher vergleichen und sofort zum bestpreis bestellen 9783649627289 illustrator koh yousun coppenrath

steine sammeln am strand urlaubsfreuden mit leichten - Jun 23 2022

web dann noch ein photo vom sammelsurium schießen und mit mut zur lücke nur die allerschönsten steine mitnehmen in diesem sinne erfolgreiches sammeln einordnen aufhübschen und freudige erinnerungen an einen schönen urlaub an der

lykischen küste ihr steinreicher klamotten freak joe

steine sammeln steine zerstreuen welt - Apr 21 2022

web nov 17 2011 steine sammeln steine zerstreuen die bibel hat auch einen prediger den des könig salomos wahrscheinlich eine kunstfigur um der sammlung aufgeklärter gedanken einen renommierten namen

grabschmuck grabdekoration aus stein ab 7 38 ladenzeile de - Feb 17 2022

web grabschmuck aus stein novaliv grabschmuck herz schwarz mit rose spruch wir vermissen dich inkl led grablicht weiß

grabdeko grabherz wetterfest grabdekoration gedenkstein teelichthalter trauerstein generic grabplatte grabstein grabkissen

urnengrabstein liegegrabstein modell firenze 40 x 30 x 7 cm orion granit poliert inkl

download solutions steine sammeln und erforschen mit stickern für de - Aug 26 2022

web steine sammeln und erforschen mit stickern für die ancient art and its commerce in early twentieth century europe oct

31 2022 john marshall 1862 1928 was an antiquities expert hired by the metropolitan museum of new york an attentive

observer of the antiquities trade marshall s archive photographs and annotations on more than 1000