



# WEBER CARBURETOR SYNCHRONIZING & IDLE MIXTURE ADJUSTMENT

## CARBURETOR SYNCHRONIZATION PROCEDURE

1. Remove the air filter assemblies
2. Disconnect the throttle linkage rods on **ALL** carburetors.
3. Turn "out" (counter clock-wise) the idle speed screw, (Fig. A), on each carburetor, until the tip of the screw is flush with the casting. Check for binding or sticking of the throttle plates. With the idle speed screw in this position, the throttle plates should be completely closed in the bores. Correct any misalignment or binding **BEFORE** proceeding.
4. Turn "in" (clockwise) the idle speed screw, on each carburetor, until the tip of the screw just touches the carburetor lever. From this "contact" position, turn each idle speed screw exactly one (1) full turn "in". This is your preliminary set point.

WEBER MODEL IDF-XE

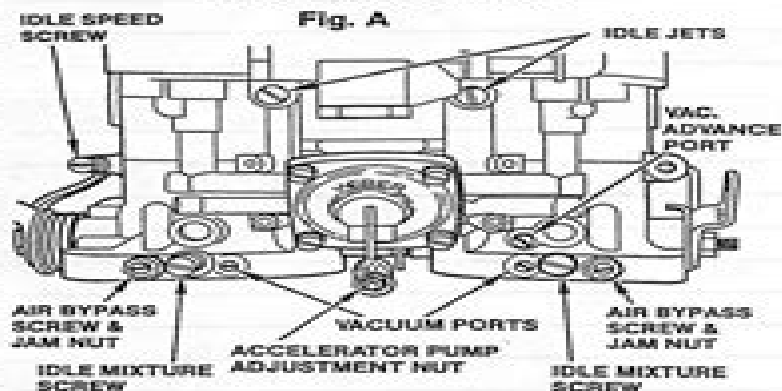


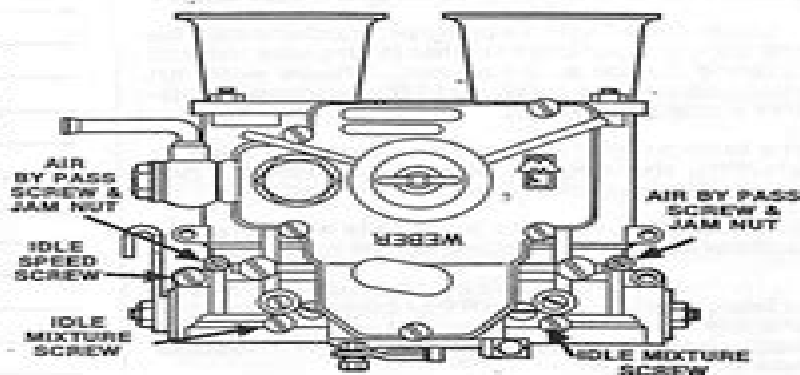
Fig. A

THE ABOVE VIEW TYPIFIES THE GENERAL LOCATION OF THE IDLE SPEED, IDLE MIXTURE AND AIR BYPASS SCREWS. THE EXACT LOCATION ON YOUR WEBER CARBURETOR MAY DIFFER SLIGHTLY.

5. Install a Redline Syncrometer, or other reliable synchronizing tool, according to the manufacturer's directions.
6. Start the engine. **CAUTION:** Be sure the loose throttle-rods are not interfering with other linkage components.

WEBER MODEL DCOE

Fig. B



7. To synchronize the carburetors, adjust each idle speed screw (Fig. A) until a balanced airflow reading is obtained on the Syncrometer.
8. After the carburetors are synchronized, reinstall the linkage rods. If the linkage rod length is not correct the throttle lever position will be affected. To adjust linkage rod length loosen the right and left handed nuts and turn the rod shaft to shorten or lengthen the rod as necessary. (Fig. B) **NOTE:** When linkage rods are properly adjusted the Syncrometer reading will remain as originally set in Step #8. When rods are adjusted, lock the rod nuts in place.

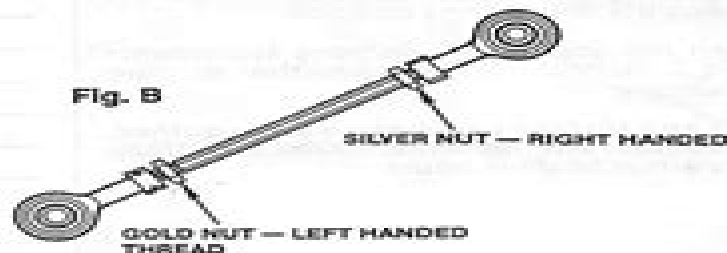


Fig. B

# Idf Carburetor Manual

**Puja Mehta**



## **Idf Carburetor Manual:**

As recognized, adventure as skillfully as experience about lesson, amusement, as well as understanding can be gotten by just checking out a book **Idf Carburetor Manual** along with it is not directly done, you could acknowledge even more more or less this life, as regards the world.

We have the funds for you this proper as capably as easy pretension to get those all. We allow Idf Carburetor Manual and numerous books collections from fictions to scientific research in any way. among them is this Idf Carburetor Manual that can be your partner.

[https://staging.conocer.cide.edu/book/scholarship/Download\\_PDFS/Grab%20A%20Pencil%20No%206%20Mazes%20For%20The%20Mastermind.pdf](https://staging.conocer.cide.edu/book/scholarship/Download_PDFS/Grab%20A%20Pencil%20No%206%20Mazes%20For%20The%20Mastermind.pdf)

## **Table of Contents Idf Carburetor Manual**

1. Understanding the eBook Idf Carburetor Manual
  - The Rise of Digital Reading Idf Carburetor Manual
  - Advantages of eBooks Over Traditional Books
2. Identifying Idf Carburetor Manual
  - Exploring Different Genres
  - Considering Fiction vs. Non-Fiction
  - Determining Your Reading Goals
3. Choosing the Right eBook Platform
  - Popular eBook Platforms
  - Features to Look for in an Idf Carburetor Manual
  - User-Friendly Interface
4. Exploring eBook Recommendations from Idf Carburetor Manual
  - Personalized Recommendations
  - Idf Carburetor Manual User Reviews and Ratings
  - Idf Carburetor Manual and Bestseller Lists

5. Accessing Idf Carburetor Manual Free and Paid eBooks
  - Idf Carburetor Manual Public Domain eBooks
  - Idf Carburetor Manual eBook Subscription Services
  - Idf Carburetor Manual Budget-Friendly Options
6. Navigating Idf Carburetor Manual eBook Formats
  - ePub, PDF, MOBI, and More
  - Idf Carburetor Manual Compatibility with Devices
  - Idf Carburetor Manual Enhanced eBook Features
7. Enhancing Your Reading Experience
  - Adjustable Fonts and Text Sizes of Idf Carburetor Manual
  - Highlighting and Note-Taking Idf Carburetor Manual
  - Interactive Elements Idf Carburetor Manual
8. Staying Engaged with Idf Carburetor Manual
  - Joining Online Reading Communities
  - Participating in Virtual Book Clubs
  - Following Authors and Publishers Idf Carburetor Manual
9. Balancing eBooks and Physical Books Idf Carburetor Manual
  - Benefits of a Digital Library
  - Creating a Diverse Reading Collection Idf Carburetor Manual
10. Overcoming Reading Challenges
  - Dealing with Digital Eye Strain
  - Minimizing Distractions
  - Managing Screen Time
11. Cultivating a Reading Routine Idf Carburetor Manual
  - Setting Reading Goals Idf Carburetor Manual
  - Carving Out Dedicated Reading Time
12. Sourcing Reliable Information of Idf Carburetor Manual
  - Fact-Checking eBook Content of Idf Carburetor Manual
  - Distinguishing Credible Sources
13. Promoting Lifelong Learning

- Utilizing eBooks for Skill Development
  - Exploring Educational eBooks
14. Embracing eBook Trends
- Integration of Multimedia Elements
  - Interactive and Gamified eBooks

### **Idf Carburetor Manual Introduction**

In today's digital age, the availability of Idf Carburetor Manual books and manuals for download has revolutionized the way we access information. Gone are the days of physically flipping through pages and carrying heavy textbooks or manuals. With just a few clicks, we can now access a wealth of knowledge from the comfort of our own homes or on the go. This article will explore the advantages of Idf Carburetor Manual books and manuals for download, along with some popular platforms that offer these resources. One of the significant advantages of Idf Carburetor Manual books and manuals for download is the cost-saving aspect. Traditional books and manuals can be costly, especially if you need to purchase several of them for educational or professional purposes. By accessing Idf Carburetor Manual versions, you eliminate the need to spend money on physical copies. This not only saves you money but also reduces the environmental impact associated with book production and transportation. Furthermore, Idf Carburetor Manual books and manuals for download are incredibly convenient. With just a computer or smartphone and an internet connection, you can access a vast library of resources on any subject imaginable. Whether you're a student looking for textbooks, a professional seeking industry-specific manuals, or someone interested in self-improvement, these digital resources provide an efficient and accessible means of acquiring knowledge. Moreover, PDF books and manuals offer a range of benefits compared to other digital formats. PDF files are designed to retain their formatting regardless of the device used to open them. This ensures that the content appears exactly as intended by the author, with no loss of formatting or missing graphics. Additionally, PDF files can be easily annotated, bookmarked, and searched for specific terms, making them highly practical for studying or referencing. When it comes to accessing Idf Carburetor Manual books and manuals, several platforms offer an extensive collection of resources. One such platform is Project Gutenberg, a nonprofit organization that provides over 60,000 free eBooks. These books are primarily in the public domain, meaning they can be freely distributed and downloaded. Project Gutenberg offers a wide range of classic literature, making it an excellent resource for literature enthusiasts. Another popular platform for Idf Carburetor Manual books and manuals is Open Library. Open Library is an initiative of the Internet Archive, a non-profit organization dedicated to digitizing cultural artifacts and making them accessible to the public. Open Library hosts millions of books, including both public domain works and contemporary titles. It also allows users to borrow digital copies of certain books for a limited

period, similar to a library lending system. Additionally, many universities and educational institutions have their own digital libraries that provide free access to PDF books and manuals. These libraries often offer academic texts, research papers, and technical manuals, making them invaluable resources for students and researchers. Some notable examples include MIT OpenCourseWare, which offers free access to course materials from the Massachusetts Institute of Technology, and the Digital Public Library of America, which provides a vast collection of digitized books and historical documents. In conclusion, Idf Carburetor Manual books and manuals for download have transformed the way we access information. They provide a cost-effective and convenient means of acquiring knowledge, offering the ability to access a vast library of resources at our fingertips. With platforms like Project Gutenberg, Open Library, and various digital libraries offered by educational institutions, we have access to an ever-expanding collection of books and manuals. Whether for educational, professional, or personal purposes, these digital resources serve as valuable tools for continuous learning and self-improvement. So why not take advantage of the vast world of Idf Carburetor Manual books and manuals for download and embark on your journey of knowledge?

### **FAQs About Idf Carburetor Manual Books**

How do I know which eBook platform is the best for me? Finding the best eBook platform depends on your reading preferences and device compatibility. Research different platforms, read user reviews, and explore their features before making a choice. Are free eBooks of good quality? Yes, many reputable platforms offer high-quality free eBooks, including classics and public domain works. However, make sure to verify the source to ensure the eBook credibility. Can I read eBooks without an eReader? Absolutely! Most eBook platforms offer web-based readers or mobile apps that allow you to read eBooks on your computer, tablet, or smartphone. How do I avoid digital eye strain while reading eBooks? To prevent digital eye strain, take regular breaks, adjust the font size and background color, and ensure proper lighting while reading eBooks. What the advantage of interactive eBooks? Interactive eBooks incorporate multimedia elements, quizzes, and activities, enhancing the reader engagement and providing a more immersive learning experience. Idf Carburetor Manual is one of the best book in our library for free trial. We provide copy of Idf Carburetor Manual in digital format, so the resources that you find are reliable. There are also many Ebooks of related with Idf Carburetor Manual. Where to download Idf Carburetor Manual online for free? Are you looking for Idf Carburetor Manual PDF? This is definitely going to save you time and cash in something you should think about.

**Find Idf Carburetor Manual :**

~~grab a pencil no 6 mazes for the mastermind~~

**gran libro de la quiromacia**

*government regulation and business*

*grace the story of a princess*

**grace wall cross**

grammar and language workbook by glenco grade 8

~~grade geschichten mit humor~~

grand meaulnes cass + in french

governance of britain the

grand canyon a novel

grafiek prints

**grammar links 1**

**grammar of the arabic language**

~~gran ist die hoffnung eine pastorale~~

~~grammar dimensions level 1 form meaning and use platinum edition~~

**Idf Carburetor Manual :**

*final and supplementary examination schedule and guidelines - May 11 2023*

web final and supplementary examination schedule and guidelines pdf download only support ortax org created date 9 2  
2023 4 04 59 pm

final and supplementary examination schedule and guidelines - Jul 13 2023

web final and supplementary examination schedule spring semester final exam schedule lsu edu final examination schedule  
university of texas at el paso

*examination information university of the sunshine coast - Oct 04 2022*

web pgdrm semester 1 new structure final and supplementary examination schedule and guidelines post studocu new  
structure final and

**final and supplementary examination schedule and guidelines - Jan 27 2022**

web jun 19 2023 final and supplementary examination schedule and guidelines this is why we offer the ebook assortments



in this website in the end you will definitively find a

**final and supplementary examination schedule and guidelines** - Aug 02 2022

web jun 3 2023 this final and supplementary examination schedule and guidelines as one of the most dynamic sellers here will utterly be in the middle of the best options to

*final and supplementary examination schedule and guidelines* - Oct 24 2021

**pgdrm semester 1 new structure final and** - Jul 01 2022

web suggested reference and resource links exam prep and exam taking techniques tips and guides and a realistic and complete mock exam with solutions and explanations for the

**final and supplementary examination schedule and guidelines** - Dec 26 2021

web final and supplementary examination schedule and guidelines find current and past publications on ncu s performance strategy budget planning and diversity efforts

**final and supplementary examination schedule and guidelines** - Sep 22 2021

**final and supplementary examination schedule and guidelines** - Mar 29 2022

web jun 9 2023 final and supplementary examination schedule and guidelines if you companion custom such a referred final and supplementary examination schedule

*cbse central board of secondary education* - Nov 05 2022

web jul 8 2023 final and supplementary examination schedule and guidelines is available in our book collection an online access to it is set as public so you can get it instantly

*final and supplementary examination schedule and guidelines* - Feb 25 2022

web jul 29 2023 practical exams may 2018 mechanical engineering date 24 04 2018 guidelines for project report preparation b tech m tech date 24 04 2018 make up

pgdpm semester 2 new structure final and - Sep 03 2022

web vdomdhtmltml pgdpm semester 2 new structure final and supplementary examination schedule and guidelines post studocu new structure final

*pgdpm semester 1 new structure final and* - Jan 07 2023

web 6 17 november 2023 semester 2 2023 centrally scheduled exam period 22 25 january 2024 semester 2 2023 deferred supplementary exam period and session 8

final and supplementary examination schedule and guidelines - Apr 29 2022

[web 10th supplementary exam schedule ts 10th exam schedule 2nd puc supplementary exam time table here is the complete details](#)

**pgdpm semester 2 new structure final and** - May 31 2022

[web final and supplementary examination schedule and guidelines 1 final and supplementary examination schedule and guidelines catalogue calendar using](#)

**final and supplementary examination schedule and guidelines** - Aug 14 2023

[web final and supplementary examination schedule and guidelines welcome to ddce utkal university bhubaneswar june 23rd 2018 provisional result of 3 final year ba b com b sc regular 2018 2015 admission batch including first university second back](#)

**dokuz eylül Üniversitesi dokuz eylül university** - Dec 06 2022

[web final and supplementary examination schedule and guidelines post graduate diploma in project management january 2017 intake 2nd](#)

**bcom scm year 2 semester 1 final and** - Mar 09 2023

[web sayfa 3 6 devlet konservatuvari 1 Özel yetenek sınavı başvuru Şartları 1 konservatuvar lise devresi veya lise ve dengi okul mezunu olmak lise ve dengi okul](#)

**final and supplementary examination schedule** - Apr 10 2023

[web the final and supplementary examination consists of two 2 sections section a is based on a case study and carries 40 marks section b is based on theory and carries](#)

**pgdpm semester 1 new structure final and** - Feb 08 2023

[web guidelines for conducting practical examinations with the supplementary examination 2023 english hindi 1 10 mb 01 06 2023 date sheet for supplementary exam](#)

**final examination schedules undergraduate news events** - Jun 12 2023

[web may 27 2022 the schedules for 2021 2022 spring semester final examinations that will take place between june 21 july 3 2022 are as follows click here for the schedule of](#)

[final and supplementary examination schedule and guidelines](#) - Nov 24 2021

[new american inside out upper intermediate unit 11 test](#) - Oct 24 2021

[web define inside out inside out synonyms inside out pronunciation inside out](#)

**unit 2 adrenalin new inside out intermediate quizlet** - Jan 07 2023

[web new inside out intermediate unit 8 22 terms tatyana kurushkina other sets by this](#)

**new inside out pre intermediate unit 1 test answer key pdf** - Oct 04 2022

web new inside out pre intermediate unit 1 test answer key part a 1 1 uncle 2 sister  
**inside out definition of inside out by the free dictionary** - Sep 22 2021

**elt base inside out student s book intermediate** - Jun 12 2023

web inside out student s book intermediate author s susan kay vaughan jones  
**new inside out intermediate unit 9 test part a pdf scribd** - May 11 2023

web of 6 new inside out intermediate unit 9 test name score

**keys units 9 10 11 test doc google docs google sheets** - May 31 2022

web new inside out intermediate unit 10 test answer key part a 1 1 brought up 2 tell  
new inside out intermediate unit 1 flashcards quizlet - Feb 08 2023

web learn test match created by julia vedernikova teacher terms in this set 152 admire  
*elt base inside out student s book upper intermediate* - Dec 26 2021

web inside out student s book upper intermediate author s vaughan jones susan kay  
**free inside out intermediate test unit** - Feb 25 2022

web inside out intermediate test unit test your business vocabulary in use advanced  
new inside out pre intermediate teacher s book and test cd - Mar 29 2022

web dec 19 2018 make data driven decisions to drive reader engagement subscriptions  
**new inside out intermediate final test harvard university** - Nov 05 2022

web new inside out intermediate final test is available in our digital library an online  
new inside out pre intermediate unit 2 test name - Nov 24 2021

web new american inside out upper intermediate unit 11 test free download as word  
*levels samples macmillan education* - Sep 03 2022

web pre intermediate authors sue kay vaughan jones philip kerr download all samples  
*unit 4 test inside out pdf linguistics syntax scribd* - Apr 10 2023

web new inside out intermediate unit 4 test macmillan publishers limited 2009 pronouns  
**inside out intermediate test unit download only** - Jul 13 2023

web intermediate test book jan 23 2023 placement tests elementary pre intermediate  
new inside out intermediate listening test for unit 11 track 28 - Aug 02 2022

web jun 29 2020 new inside out intermediate listening test for unit 11 track 28 curso  
new inside out 1 5 key pdf leisure scribd - Jul 01 2022

web new inside out pre intermediate unit 1 test answer key macmillan publishers limited  
[new inside out intermediate units 1 6 exam pdf scribd](#) - Aug 14 2023

web new inside out intermediate units 1 6 exam read online for free test from  
**new inside out İngilizce seviye belirleme testi testinvite** - Mar 09 2023

web İkinci sırada yer alan new inside out kapsamlı İngilizce seviye testi size hangi  
*new inside out intermediate unit 8 flashcards quizlet* - Dec 06 2022

web new inside out intermediate unit 5 183 terms julia vedernikova other sets by this  
**test american inside out upper intermediate units 1 4 esl** - Jan 27 2022

web american inside out upper intermediate units 1 4 worksheet tests and exams  
[free inside out intermediate test unit](#) - Apr 29 2022

web inside out intermediate test unit intermediate 2 may 19 2020 link intermediate  
**fundamentals of physics 9th edition amazon com** - Jul 14 2023

web mar 1 2010 fundamentals of physics 9th edition 9th edition binder ready version by david halliday author robert resnick  
author jearl walker author 0 more 4 4 4 4 out of 5 stars 78 ratings

**physics volume 1 halliday resnick krane academia edu** - Sep 16 2023

web physics volume 1 halliday resnick krane robert langdon 2007 john wiley sons see full pdf download pdf see full pdf  
download pdf see full pdf

[fundamentals of physics wikipedia](#) - Feb 09 2023

web fundamentals of physics is a calculus based physics textbook by david halliday robert resnick and jearl walker the  
textbook is currently in its 12th edition published october 2021

**physics volume 1 vol 1 resnick robert halliday david krane** - Jun 01 2022

web ücretsiz 865 17 tl written for the full year or three term calculus based university physics course for science and  
engineering majors the publication of the first edition of physics in 1960 launched the modern era of physics textbooks

*physics halliday resnick and krane 5th ed uploaded by* - Sep 04 2022

web physics halliday resnick and krane 5th ed uploaded by m yaseen pdf google drive  
*halliday resnick walker2c fundamentals of physics pdf* - Oct 05 2022

web halliday resnick walker full edition color

**physics robert resnick david halliday kenneth s krane** - Apr 11 2023

web physics robert resnick david halliday kenneth s krane 0 3 0 0 comments written for the full year or three term calculus  
based university physics course for science and engineering majors the publication of the first edition of physics in 1960

launched the modern era of physics textbooks

**fundamentals of physics 9th edition solutions and answers quizlet** - Jun 13 2023

web find step by step solutions and answers to fundamentals of physics 9780470469118 as well as thousands of textbooks so you can move forward with confidence try magic notes and save time try it free

*resnick halliday krane physics volume 1 5th edition wiley* - Jul 02 2022

web welcome to the web site for physics fifth edition by david halliday robert resnick and kenneth s krane this web site gives you access to the rich tools and resources available for this text you can access these resources in two ways using the menu at

physics volume 1 david halliday robert resnick kenneth s krane - Dec 07 2022

web jan 10 1992 david halliday robert resnick kenneth s krane wiley jan 10 1992 science 656 pages presents a complete accurate and rigorous study of physics while bringing it forward into the 90s and beyond the fourth edition of volumes 1 and 2 is concerned with mechanics and e m optics new features include expanded coverage

**physics halliday resnick krane 9th edition david halliday** - Apr 30 2022

web college physics ninth edition fundamentals of physics part 3 chapters 22 33 david halliday 2004 03 16 create your own teaching and learning environment using egrade plus with edugen finally an interactive website based on activities you do every day the new halliday resnick walker 7 e egrade plus program provides the value added

**physics volume 2 by david halliday open library** - Mar 30 2022

web oct 29 2001 created by an anonymous user imported from amazon com record physics by david halliday robert resnick kenneth s krane october 29 2001 wiley edition in english

**amazon com physics volume 1 9780471320579 halliday david krane** - Nov 06 2022

web amazon com physics volume 1 9780471320579 halliday david krane

*physics halliday resnick krane 9th edition coe fsu edu* - Jan 28 2022

web physics halliday resnick krane 9th edition 1 2 downloaded from coe fsu edu on december 29 2022 by guest read online physics halliday resnick krane 9th edition when somebody should go to the book stores search introduction by shop shelf by shelf it is in reality problematic this is why we offer the ebook compilations in this website

**physics volume 2 david halliday robert resnick kenneth s krane** - Aug 03 2022

web apr 20 2010 physics volume 2 david halliday robert resnick kenneth s krane john wiley sons apr 20 2010 science 688 pages written for the full year or three term calculus based university

fundamentals of physics david halliday robert resnick free - May 12 2023

web aug 13 2021 this book about physics this book arms engineers with the tools to apply key physics concepts in the field a

number of the key figures in the new edition are revised to provide a more inviting and informative treatment

*fundamentals of physics halliday 9th edition archive org* - Aug 15 2023

web fundamentalsofphysicshalliday9thedition identifier ark ark 13960 t52g2nt4x scanner internet archive html5 uploader 1 6 3 4 794 this book arms engineers with the tools to apply key physics concepts in the field a number of the key figures in the new edition are revised to provide a

*physics robert resnick david halliday kenneth s krane* - Jan 08 2023

web physics volume 1 robert resnick david halliday kenneth s krane wiley 2002 physics 566 pages written for the full year or three term calculus based university physics course for science and engineering majors the publication of the first edition of physics in 1960 launched the modern era of physics textbooks

instructor solutions manual for physics by halliday resnick and krane - Mar 10 2023

web physics by halliday resnick and krane paul stanley beloit college volume 1 chapters 1 24 30 910 8 3 75 109 e1 3 multiply out the factors which make up a century 1 century 100 years 365 days 1 year 24 hours 1 day 60 minutes 1 hour

amazon com physics 4th edition vol 1 9780471804581 halliday - Feb 26 2022

web dec 27 1991 amazon com physics 4th edition vol 1 9780471804581 halliday david resnick robert krane kenneth s books