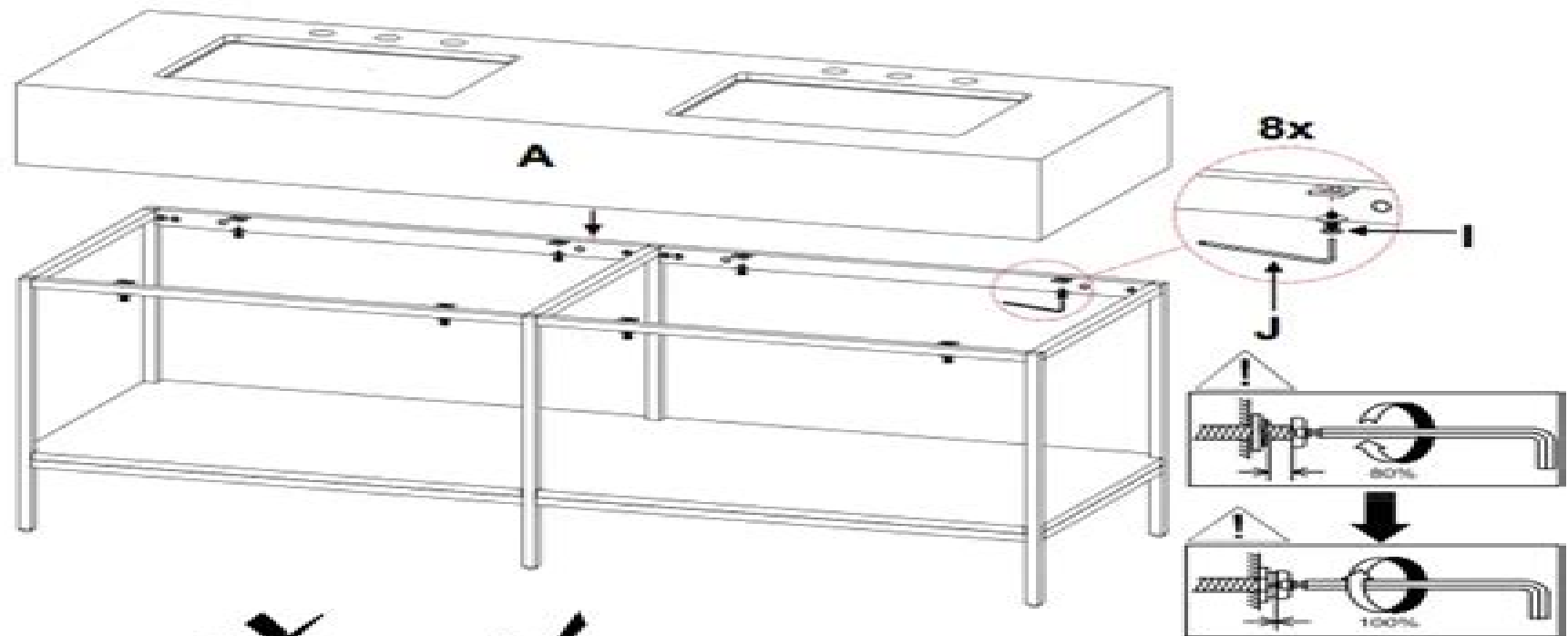
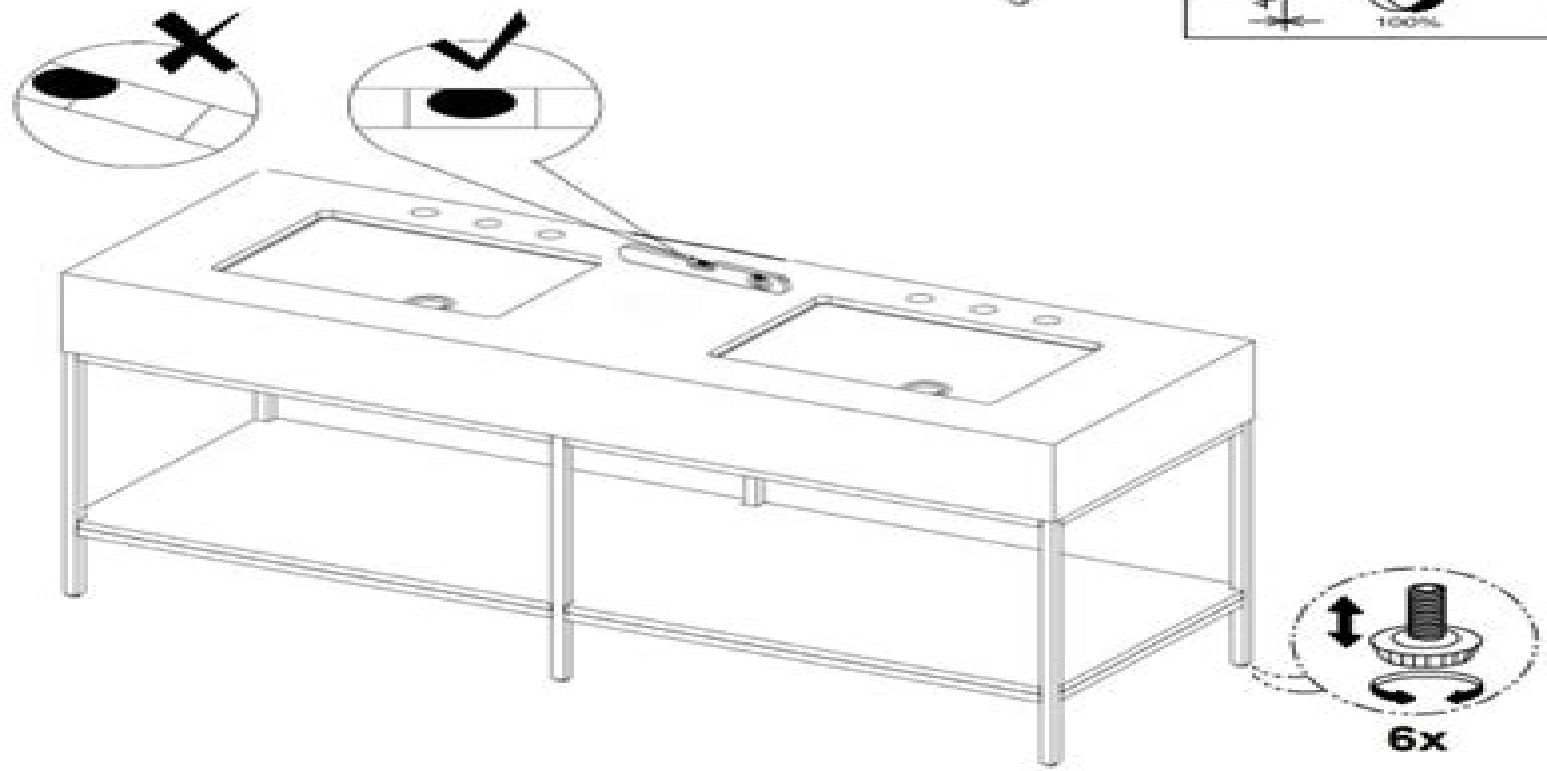


4



5



Julien Bath Console Instruction Guide

Annelies Wilder-Smith



Julien Bath Console Instruction Guide:

If you ally compulsion such a referred **Julien Bath Console Instruction Guide** ebook that will have enough money you worth, get the very best seller from us currently from several preferred authors. If you want to hilarious books, lots of novels, tale, jokes, and more fictions collections are as a consequence launched, from best seller to one of the most current released.

You may not be perplexed to enjoy all ebook collections Julien Bath Console Instruction Guide that we will categorically offer. It is not nearly the costs. Its nearly what you habit currently. This Julien Bath Console Instruction Guide, as one of the most full of zip sellers here will unquestionably be in the middle of the best options to review.

<https://staging.conocer.cide.edu/results/browse/fetch.php/Island%20People%201st%20Edition.pdf>

Table of Contents Julien Bath Console Instruction Guide

1. Understanding the eBook Julien Bath Console Instruction Guide
 - The Rise of Digital Reading Julien Bath Console Instruction Guide
 - Advantages of eBooks Over Traditional Books
2. Identifying Julien Bath Console Instruction Guide
 - Exploring Different Genres
 - Considering Fiction vs. Non-Fiction
 - Determining Your Reading Goals
3. Choosing the Right eBook Platform
 - Popular eBook Platforms
 - Features to Look for in an Julien Bath Console Instruction Guide
 - User-Friendly Interface
4. Exploring eBook Recommendations from Julien Bath Console Instruction Guide
 - Personalized Recommendations
 - Julien Bath Console Instruction Guide User Reviews and Ratings
 - Julien Bath Console Instruction Guide and Bestseller Lists
5. Accessing Julien Bath Console Instruction Guide Free and Paid eBooks

- Julien Bath Console Instruction Guide Public Domain eBooks
 - Julien Bath Console Instruction Guide eBook Subscription Services
 - Julien Bath Console Instruction Guide Budget-Friendly Options
6. Navigating Julien Bath Console Instruction Guide eBook Formats
 - ePub, PDF, MOBI, and More
 - Julien Bath Console Instruction Guide Compatibility with Devices
 - Julien Bath Console Instruction Guide Enhanced eBook Features
 7. Enhancing Your Reading Experience
 - Adjustable Fonts and Text Sizes of Julien Bath Console Instruction Guide
 - Highlighting and Note-Taking Julien Bath Console Instruction Guide
 - Interactive Elements Julien Bath Console Instruction Guide
 8. Staying Engaged with Julien Bath Console Instruction Guide
 - Joining Online Reading Communities
 - Participating in Virtual Book Clubs
 - Following Authors and Publishers Julien Bath Console Instruction Guide
 9. Balancing eBooks and Physical Books Julien Bath Console Instruction Guide
 - Benefits of a Digital Library
 - Creating a Diverse Reading Collection Julien Bath Console Instruction Guide
 10. Overcoming Reading Challenges
 - Dealing with Digital Eye Strain
 - Minimizing Distractions
 - Managing Screen Time
 11. Cultivating a Reading Routine Julien Bath Console Instruction Guide
 - Setting Reading Goals Julien Bath Console Instruction Guide
 - Carving Out Dedicated Reading Time
 12. Sourcing Reliable Information of Julien Bath Console Instruction Guide
 - Fact-Checking eBook Content of Julien Bath Console Instruction Guide
 - Distinguishing Credible Sources
 13. Promoting Lifelong Learning
 - Utilizing eBooks for Skill Development

- Exploring Educational eBooks
- 14. Embracing eBook Trends
 - Integration of Multimedia Elements
 - Interactive and Gamified eBooks

Julien Bath Console Instruction Guide Introduction

Free PDF Books and Manuals for Download: Unlocking Knowledge at Your Fingertips In today's fast-paced digital age, obtaining valuable knowledge has become easier than ever. Thanks to the internet, a vast array of books and manuals are now available for free download in PDF format. Whether you are a student, professional, or simply an avid reader, this treasure trove of downloadable resources offers a wealth of information, conveniently accessible anytime, anywhere. The advent of online libraries and platforms dedicated to sharing knowledge has revolutionized the way we consume information. No longer confined to physical libraries or bookstores, readers can now access an extensive collection of digital books and manuals with just a few clicks. These resources, available in PDF, Microsoft Word, and PowerPoint formats, cater to a wide range of interests, including literature, technology, science, history, and much more. One notable platform where you can explore and download free Julien Bath Console Instruction Guide PDF books and manuals is the internet's largest free library. Hosted online, this catalog compiles a vast assortment of documents, making it a veritable goldmine of knowledge. With its easy-to-use website interface and customizable PDF generator, this platform offers a user-friendly experience, allowing individuals to effortlessly navigate and access the information they seek. The availability of free PDF books and manuals on this platform demonstrates its commitment to democratizing education and empowering individuals with the tools needed to succeed in their chosen fields. It allows anyone, regardless of their background or financial limitations, to expand their horizons and gain insights from experts in various disciplines. One of the most significant advantages of downloading PDF books and manuals lies in their portability. Unlike physical copies, digital books can be stored and carried on a single device, such as a tablet or smartphone, saving valuable space and weight. This convenience makes it possible for readers to have their entire library at their fingertips, whether they are commuting, traveling, or simply enjoying a lazy afternoon at home. Additionally, digital files are easily searchable, enabling readers to locate specific information within seconds. With a few keystrokes, users can search for keywords, topics, or phrases, making research and finding relevant information a breeze. This efficiency saves time and effort, streamlining the learning process and allowing individuals to focus on extracting the information they need. Furthermore, the availability of free PDF books and manuals fosters a culture of continuous learning. By removing financial barriers, more people can access educational resources and pursue lifelong learning, contributing to personal growth and professional development. This democratization of knowledge promotes intellectual curiosity and

empowers individuals to become lifelong learners, promoting progress and innovation in various fields. It is worth noting that while accessing free Julien Bath Console Instruction Guide PDF books and manuals is convenient and cost-effective, it is vital to respect copyright laws and intellectual property rights. Platforms offering free downloads often operate within legal boundaries, ensuring that the materials they provide are either in the public domain or authorized for distribution. By adhering to copyright laws, users can enjoy the benefits of free access to knowledge while supporting the authors and publishers who make these resources available. In conclusion, the availability of Julien Bath Console Instruction Guide free PDF books and manuals for download has revolutionized the way we access and consume knowledge. With just a few clicks, individuals can explore a vast collection of resources across different disciplines, all free of charge. This accessibility empowers individuals to become lifelong learners, contributing to personal growth, professional development, and the advancement of society as a whole. So why not unlock a world of knowledge today? Start exploring the vast sea of free PDF books and manuals waiting to be discovered right at your fingertips.

FAQs About Julien Bath Console Instruction Guide Books

1. Where can I buy Julien Bath Console Instruction Guide books? Bookstores: Physical bookstores like Barnes & Noble, Waterstones, and independent local stores. Online Retailers: Amazon, Book Depository, and various online bookstores offer a wide range of books in physical and digital formats.
2. What are the different book formats available? Hardcover: Sturdy and durable, usually more expensive. Paperback: Cheaper, lighter, and more portable than hardcovers. E-books: Digital books available for e-readers like Kindle or software like Apple Books, Kindle, and Google Play Books.
3. How do I choose a Julien Bath Console Instruction Guide book to read? Genres: Consider the genre you enjoy (fiction, non-fiction, mystery, sci-fi, etc.). Recommendations: Ask friends, join book clubs, or explore online reviews and recommendations. Author: If you like a particular author, you might enjoy more of their work.
4. How do I take care of Julien Bath Console Instruction Guide books? Storage: Keep them away from direct sunlight and in a dry environment. Handling: Avoid folding pages, use bookmarks, and handle them with clean hands. Cleaning: Gently dust the covers and pages occasionally.
5. Can I borrow books without buying them? Public Libraries: Local libraries offer a wide range of books for borrowing. Book Swaps: Community book exchanges or online platforms where people exchange books.
6. How can I track my reading progress or manage my book collection? Book Tracking Apps: Goodreads, LibraryThing,

and Book Catalogue are popular apps for tracking your reading progress and managing book collections. Spreadsheets: You can create your own spreadsheet to track books read, ratings, and other details.

7. What are Julien Bath Console Instruction Guide audiobooks, and where can I find them? Audiobooks: Audio recordings of books, perfect for listening while commuting or multitasking. Platforms: Audible, LibriVox, and Google Play Books offer a wide selection of audiobooks.
8. How do I support authors or the book industry? Buy Books: Purchase books from authors or independent bookstores. Reviews: Leave reviews on platforms like Goodreads or Amazon. Promotion: Share your favorite books on social media or recommend them to friends.
9. Are there book clubs or reading communities I can join? Local Clubs: Check for local book clubs in libraries or community centers. Online Communities: Platforms like Goodreads have virtual book clubs and discussion groups.
10. Can I read Julien Bath Console Instruction Guide books for free? Public Domain Books: Many classic books are available for free as they're in the public domain. Free E-books: Some websites offer free e-books legally, like Project Gutenberg or Open Library.

Find Julien Bath Console Instruction Guide :

[island people 1st edition](#)

[it couldnt just happen](#)

[isle of view a history of south manitou island](#)

[issues and alternatives in educational philosophy](#)

[issues and ethics in the helping professions](#)

[israel honorarium 5vol](#)

[islam judaism and christianity theological and historical affiliations princeton series on the middle east](#)

[isaac bashevis singer childrens stories and childhood memoirs](#)

[israel and the church the origins and effects of replacement theology](#)

[istoriia dukhovogo muzichnogo mistetstva ukraini vid naidavnishikh chasiv do pochatku xx st](#)

[island deception harlequin romance 3034](#)

[isaac bickerstaff](#)

[iso 9000 quality systems handbook](#)

[issues in contemporary](#)

[islamic political ethics](#)

Julien Bath Console Instruction Guide :

RF-425 Operation Manual 808 1. Second Vehicle Security Operation: Your remote transmitter can be utilized to control a second vehicle Autopage security system. To program the remote ... RF-425 - Autopage 4 Channel Vehicle Alarm Security ... Product Features: 4-Channel vehicle alarm security system; Includes a 2-way AM/AM LCD Transmitter and a 5-button companion remote; Ergonomic LCD transceiver ... Auto Page RF-425LCD Installation Manual View and Download Auto Page RF-425LCD installation manual online. PROFESSIONAL VEHICLE SECURITY SYSTEM. RF-425LCD car alarm pdf manual download. AUTOPAGE RF-425A Security Alarm AUTOPAGE RF-425A Security Alarm · 4-Channel vehicle alarm security system · Includes a 2-way AM LCD Transmitter and a 5-button companion remote · Ergonomic LCD ... AUTOPAGE Autopage RF-425 LCD AUTOPAGE Autopage RF-425 LCD. Select the part that best matches the existing remote you would like to replace. Part #075-6066. Click image to view larger. 5 ... Autopage Rf-425 2-way Paging Remote Entry Car Alarm Lcd Autopage Rf-425 2-way Paging Remote Entry Car Alarm Lcd. 3.5 out of 5 stars2 product ratings. More items related to this product. AutoPage RF-425LCD 4 Channel Car Security System with 2-Way AM/AM LCD Transmitter featuring Starter Disable and Keyless Entry. Item #24629 ... AutoPage RF-425 LCD 4-Channel Vehicle Alarm Security ... Brand new - AutoPage RF-425 LCD 4-Channel Vehicle Alarm Security System at Sonic Electronix. AutoPage RF-425LCD Four Channel Security System with Plug-in Push-type Valet/Override Switch; Plug-in Super Bright LED; Starter Disable with Relay and Socket; Dome light Illuminated Entry; 1 Positive, 4 Negative ... Perdisco Answers Accounting 250 Pdf Page 1. Perdisco Answers Accounting 250 Pdf. INTRODUCTION Perdisco Answers Accounting 250 Pdf .pdf. Perdisco Solution - Transactions - week 1 - Your progress ... Perdisco Solution - Transactions - week 1 · Your progress. Completed: 15% (approximately). Remaining pages will take: up to 14.5 hours. The time frames we ... Help with Perdisco question set week 1. I'm Oct 9, 2020 — Answer to Help with Perdisco question set week 1. I ... Accounting questions and answers · Help with Perdisco question set ... Perdisco Solution - Transactions - week 2 - Your progress ... Post entries recorded in the journals to the appropriate ledger accounts according to the company's accounting ... Jun 1 Bank Loan Payable 250 56,000 56,. 370424039-Perdisco-Practice-Set-Solution-Week-2.pdf - ... View 370424039-Perdisco-Practice-Set-Solution-Week-2.pdf from ACCT 1001 at The University of Sydney ... 2500250000 Jun12X616006160003300 Jun Jun Jun Jun ... Perdisco Solution - Transactions - Week 2 | PDF Feb 19, 2020 — Jun 1 Bank Loan Payable 250 56,000 56,000. Jun 3 Sales Revenue X 4,788 ... Accounting Workbook Section 2 ... Perdisco Solution - Transactions - week 2 Feb 21, 2020 — Perdisco Solution - Transactions - week 2 - Download as a PDF or view online for free. Perdisco Practice Set Solution - Week 2 Before pressing the Submit answers button, we recommend that you click the Show All tab and check that all relevant accounting records have been completed. Week-4-perdisco-guide-to-week-4-perdico

Post entries recorded in the journals to the appropriate ledger accounts according to the company's accounting policies and procedures 250 750 (Q=630 ... Worksheet Perdisco.docx - Manual Accounting Practice Set... The worksheet is an internal document that exists outside the journals and ledgers. It is often used in the manual accounting system to help record adjusting ... election-papers-2021.pdf WINCHESTER. COLLEGE. Winchester College Entrance and Election Examination in English. 2021. Monday 26th April 0900-1100. 2 hours. INSTRUCTIONS TO CANDIDATES ... Winchester College | Election Election is taken instead of the Winchester Entrance exam. It is a unique ... Past papers are a helpful way of preparing for the written component of Election. Winchester College | Entrance Exam What to Expect in the Entrance Exam. All candidates sitting Winchester Entrance and Election take a common English paper and Maths paper (Paper 1 in Election). Winchester ELECTION PAPERS 2017 (END OF PAPER). Page 20. W. WINCHESTER. COLLEGE. Election 2017. Geography (A5). Monday 24th April 1400 - 1530. Leave this question paper behind at the end of ... Winchester ELECTION PAPERS 2016 WINCHESTER. COLLEGE. Election 2016. Geography (A5). Monday 25th April 1400 - 1530. Leave this question paper behind at the end of the exam. Time allowed: 90 ... winchester-college-entrance-and-election-examination-in- ... Winchester College Entrance and Election Examination in English. Specimen Paper ... INSTRUCTIONS TO CANDIDATES: Answer TWO questions: EITHER Section A (Prose) ... Science Entrance paper 2020 FINAL This paper is divided into FOUR sections. Section A Chemistry. Section B Physics. Section C Biology. Section D General. Each section carries equal marks. Winchester College Entrance Election Past Papers Pdf Winchester College Entrance Election Past Papers Pdf. INTRODUCTION Winchester College Entrance Election Past Papers Pdf [PDF] Winchester college entrance election past papers Copy Aug 18, 2023 — winchester college entrance election past papers. 2023-08-18. 2/32 winchester college entrance election past papers. Panel Pictorial Washington ... Election« Scholarship Exam || Mark Schemes For English The Winchester College Election assessment is one of the most challenging 13+ Scholarship exams. Whilst certain past papers are available online, high quality ...