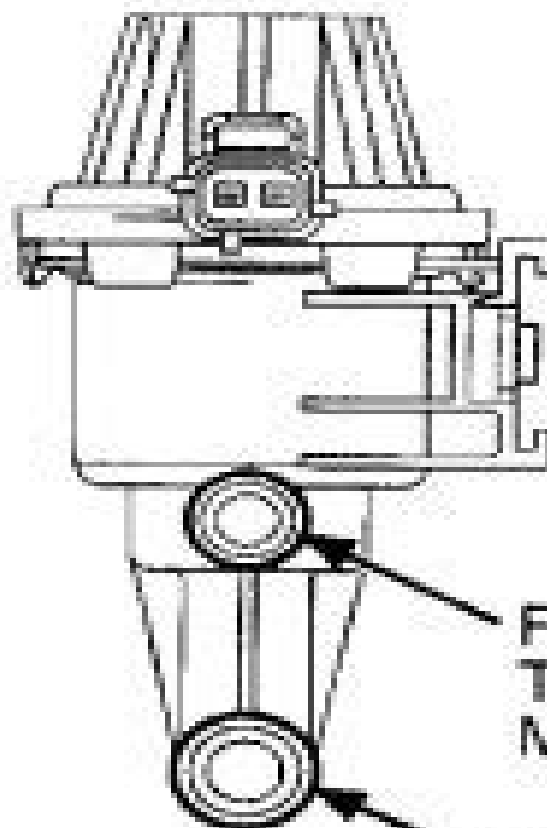
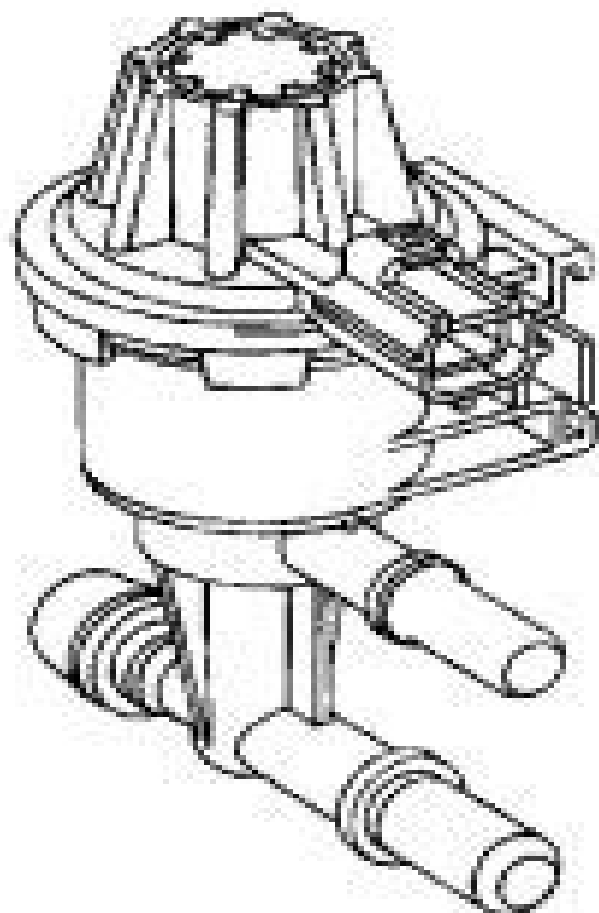


ELECTRONIC VAPOR MANAGEMENT VALVE (9C915)



FUEL VAPOR
TO INTAKE
MANIFOLD

FUEL VAPOR
TO EVAP
CANISTER

G00236564

Ford Taurus Trouble Code P0455

Ken Freund, John Harold Haynes



Ford Taurus Trouble Code P0455:

1995 Ford Taurus Ford Motor Company,1994 *Ford Taurus & Mercury Sable Automotive Repair Manual* Ken Layne,John Harold Haynes,Haynes,2001 Inside this manual the reader will learn to do routine maintenance tune up procedures engine repair along with aspects of your car such as cooling and heating air conditioning fuel and exhaust emissions control ignition brakes suspension and steering electrical systems wiring diagrams Covers all models 1996 through 2001 **Ford Taurus & Mercury Sable Owners Workshop Manual** Bob Henderson,John Harold Haynes,1988 Models covered Ford Taurus Mercury Sable 1986 through 1988 Ford Taurus and Mercury Sable Bob Henderson,1991-10-01

1993 Ford Taurus, Sable Electrical & Vacuum Trouble-shooting Manual Ford Motor Company,1992 **Ford Taurus & Mercury Sable Automotive Repair Manual** Ken Freund,John Harold Haynes,2004 **1994 Ford Taurus/Sable Electrical & Vacuum Trouble-shooting Manual** Ford Motor Company,1993

Right here, we have countless book **Ford Taurus Trouble Code P0455** and collections to check out. We additionally present variant types and in addition to type of the books to browse. The welcome book, fiction, history, novel, scientific research, as with ease as various additional sorts of books are readily easy to use here.

As this Ford Taurus Trouble Code P0455, it ends taking place brute one of the favored books Ford Taurus Trouble Code P0455 collections that we have. This is why you remain in the best website to look the amazing ebook to have.

<https://staging.conocer.cide.edu/About/uploaded-files/fetch.php/Her%20Final%20Fling.pdf>

Table of Contents Ford Taurus Trouble Code P0455

1. Understanding the eBook Ford Taurus Trouble Code P0455
 - The Rise of Digital Reading Ford Taurus Trouble Code P0455
 - Advantages of eBooks Over Traditional Books
2. Identifying Ford Taurus Trouble Code P0455
 - Exploring Different Genres
 - Considering Fiction vs. Non-Fiction
 - Determining Your Reading Goals
3. Choosing the Right eBook Platform
 - Popular eBook Platforms
 - Features to Look for in an Ford Taurus Trouble Code P0455
 - User-Friendly Interface
4. Exploring eBook Recommendations from Ford Taurus Trouble Code P0455
 - Personalized Recommendations
 - Ford Taurus Trouble Code P0455 User Reviews and Ratings
 - Ford Taurus Trouble Code P0455 and Bestseller Lists
5. Accessing Ford Taurus Trouble Code P0455 Free and Paid eBooks
 - Ford Taurus Trouble Code P0455 Public Domain eBooks

- Ford Taurus Trouble Code P0455 eBook Subscription Services
- Ford Taurus Trouble Code P0455 Budget-Friendly Options
- 6. Navigating Ford Taurus Trouble Code P0455 eBook Formats
 - ePub, PDF, MOBI, and More
 - Ford Taurus Trouble Code P0455 Compatibility with Devices
 - Ford Taurus Trouble Code P0455 Enhanced eBook Features
- 7. Enhancing Your Reading Experience
 - Adjustable Fonts and Text Sizes of Ford Taurus Trouble Code P0455
 - Highlighting and Note-Taking Ford Taurus Trouble Code P0455
 - Interactive Elements Ford Taurus Trouble Code P0455
- 8. Staying Engaged with Ford Taurus Trouble Code P0455
 - Joining Online Reading Communities
 - Participating in Virtual Book Clubs
 - Following Authors and Publishers Ford Taurus Trouble Code P0455
- 9. Balancing eBooks and Physical Books Ford Taurus Trouble Code P0455
 - Benefits of a Digital Library
 - Creating a Diverse Reading Collection Ford Taurus Trouble Code P0455
- 10. Overcoming Reading Challenges
 - Dealing with Digital Eye Strain
 - Minimizing Distractions
 - Managing Screen Time
- 11. Cultivating a Reading Routine Ford Taurus Trouble Code P0455
 - Setting Reading Goals Ford Taurus Trouble Code P0455
 - Carving Out Dedicated Reading Time
- 12. Sourcing Reliable Information of Ford Taurus Trouble Code P0455
 - Fact-Checking eBook Content of Ford Taurus Trouble Code P0455
 - Distinguishing Credible Sources
- 13. Promoting Lifelong Learning
 - Utilizing eBooks for Skill Development
 - Exploring Educational eBooks

14. Embracing eBook Trends

- Integration of Multimedia Elements
- Interactive and Gamified eBooks

Ford Taurus Trouble Code P0455 Introduction

In this digital age, the convenience of accessing information at our fingertips has become a necessity. Whether its research papers, eBooks, or user manuals, PDF files have become the preferred format for sharing and reading documents. However, the cost associated with purchasing PDF files can sometimes be a barrier for many individuals and organizations. Thankfully, there are numerous websites and platforms that allow users to download free PDF files legally. In this article, we will explore some of the best platforms to download free PDFs. One of the most popular platforms to download free PDF files is Project Gutenberg. This online library offers over 60,000 free eBooks that are in the public domain. From classic literature to historical documents, Project Gutenberg provides a wide range of PDF files that can be downloaded and enjoyed on various devices. The website is user-friendly and allows users to search for specific titles or browse through different categories. Another reliable platform for downloading Ford Taurus Trouble Code P0455 free PDF files is Open Library. With its vast collection of over 1 million eBooks, Open Library has something for every reader. The website offers a seamless experience by providing options to borrow or download PDF files. Users simply need to create a free account to access this treasure trove of knowledge. Open Library also allows users to contribute by uploading and sharing their own PDF files, making it a collaborative platform for book enthusiasts. For those interested in academic resources, there are websites dedicated to providing free PDFs of research papers and scientific articles. One such website is Academia.edu, which allows researchers and scholars to share their work with a global audience. Users can download PDF files of research papers, theses, and dissertations covering a wide range of subjects. Academia.edu also provides a platform for discussions and networking within the academic community. When it comes to downloading Ford Taurus Trouble Code P0455 free PDF files of magazines, brochures, and catalogs, Issuu is a popular choice. This digital publishing platform hosts a vast collection of publications from around the world. Users can search for specific titles or explore various categories and genres. Issuu offers a seamless reading experience with its user-friendly interface and allows users to download PDF files for offline reading. Apart from dedicated platforms, search engines also play a crucial role in finding free PDF files. Google, for instance, has an advanced search feature that allows users to filter results by file type. By specifying the file type as "PDF," users can find websites that offer free PDF downloads on a specific topic. While downloading Ford Taurus Trouble Code P0455 free PDF files is convenient, its important to note that copyright laws must be respected. Always ensure that the PDF files you download are legally available for free. Many authors and publishers voluntarily provide free PDF versions of their work, but its essential to

be cautious and verify the authenticity of the source before downloading Ford Taurus Trouble Code P0455. In conclusion, the internet offers numerous platforms and websites that allow users to download free PDF files legally. Whether its classic literature, research papers, or magazines, there is something for everyone. The platforms mentioned in this article, such as Project Gutenberg, Open Library, Academia.edu, and Issuu, provide access to a vast collection of PDF files. However, users should always be cautious and verify the legality of the source before downloading Ford Taurus Trouble Code P0455 any PDF files. With these platforms, the world of PDF downloads is just a click away.

FAQs About Ford Taurus Trouble Code P0455 Books

What is a Ford Taurus Trouble Code P0455 PDF? A PDF (Portable Document Format) is a file format developed by Adobe that preserves the layout and formatting of a document, regardless of the software, hardware, or operating system used to view or print it. **How do I create a Ford Taurus Trouble Code P0455 PDF?** There are several ways to create a PDF: Use software like Adobe Acrobat, Microsoft Word, or Google Docs, which often have built-in PDF creation tools. Print to PDF: Many applications and operating systems have a "Print to PDF" option that allows you to save a document as a PDF file instead of printing it on paper. Online converters: There are various online tools that can convert different file types to PDF. **How do I edit a Ford Taurus Trouble Code P0455 PDF?** Editing a PDF can be done with software like Adobe Acrobat, which allows direct editing of text, images, and other elements within the PDF. Some free tools, like PDFescape or Smallpdf, also offer basic editing capabilities. **How do I convert a Ford Taurus Trouble Code P0455 PDF to another file format?** There are multiple ways to convert a PDF to another format: Use online converters like Smallpdf, Zamzar, or Adobe Acrobats export feature to convert PDFs to formats like Word, Excel, JPEG, etc. Software like Adobe Acrobat, Microsoft Word, or other PDF editors may have options to export or save PDFs in different formats. **How do I password-protect a Ford Taurus Trouble Code P0455 PDF?** Most PDF editing software allows you to add password protection. In Adobe Acrobat, for instance, you can go to "File" -> "Properties" -> "Security" to set a password to restrict access or editing capabilities. Are there any free alternatives to Adobe Acrobat for working with PDFs? Yes, there are many free alternatives for working with PDFs, such as: LibreOffice: Offers PDF editing features. PDFsam: Allows splitting, merging, and editing PDFs. Foxit Reader: Provides basic PDF viewing and editing capabilities. How do I compress a PDF file? You can use online tools like Smallpdf, ILovePDF, or desktop software like Adobe Acrobat to compress PDF files without significant quality loss. Compression reduces the file size, making it easier to share and download. Can I fill out forms in a PDF file? Yes, most PDF viewers/editors like Adobe Acrobat, Preview (on Mac), or various online tools allow you to fill out forms in PDF files by selecting text fields and entering information. Are there any restrictions when working with PDFs? Some PDFs might have restrictions set by

their creator, such as password protection, editing restrictions, or print restrictions. Breaking these restrictions might require specific software or tools, which may or may not be legal depending on the circumstances and local laws.

Find Ford Taurus Trouble Code P0455 :

her final fling

henry millers complete of friends

hemingway and the natural world

herault de sechelles

henry miller expatriate.

heraldic anomalies volume 2

henry brocken

henry ford young man with ideas library edition ready reader

~~henry moore complete graphic work~~

henry james complete stories 18841891

henrys choice level 4

hennesys test fastback science fiction

helping each other in widowhood by

~~her incredible courage story of a woman for women~~

henry james complete stories 18981910

Ford Taurus Trouble Code P0455 :

lecture 2 agreement chart introduction to law - Oct 04 2022

web asif tufal formation of adenine sign offer and acceptance has the offeror made an or an invitati

asif tufal law teacher net data northitalia - May 31 2022

web the interaction of contract law and tort and property law in europe bordering military state and society in pakistan 2 asif

tufal law teacher net 2023 05 04 justice scotland act 1987 s 72 2 bringing into operation various

asif tufal contract law uniport edu ng - Jan 27 2022

web asif tufal contract law 1 9 downloaded from uniport edu ng on may 24 2023 by guest asif tufal contract law this is

likewise one of the factors by obtaining the soft documents of this asif tufal contract law by online you might not require

more mature to spend to go to the books creation as skillfully as search for them in some cases

İstanbul sözleşmesi nin denetleyicisi prof asan dan skandal - Jul 01 2022

web sep 24 2019 İstanbul sözleşmesi ni denetlemek için gravİo başkanı seçilen prof dr aşkın asan 6284 sayılı yasa yı kullanarak tanımadığı hiçbir şekilde bir araya gelmediği türkiye aile meclisi başkanı adem Çevik e 1 aylık uzaklaştırma kararı çıkarttı bununla da yetinmeyen prof asan Çevik i fetÖ cü olmakla suçladı

asif tufal contract law uniport edu ng - Feb 25 2022

web jun 12 2023 asif tufal contract law 1 11 downloaded from uniport edu ng on june 12 2023 by guest asif tufal contract law as recognized adventure as skillfully as experience virtually lesson amusement as competently as union can be gotten by just checking out a books asif tufal contract law after that it is not directly done you

lecture 2 agreement chart contract law cases - Aug 14 2023

web asif tufal formation concerning one contract offer and assent is an offeror made an or an invitati asif tufal formation of a contract propose and accepted possessed the offeror made an button an invitati

1 offer and acceptance agreement chart asif tufal 1 - Jul 13 2023

web asif tufal 1 lawteacher co formation of a contract offer and acceptance has the offeror made an offer or an invitation to treat ie auctioneer s call for bids payne v cave display of goods fisher v bell psqb v boots advertisement partridge v crittenden except unilateral adverts carlill v carbolic smokeball

yargıtay kulüp ile takım antrenörü arasındaki spor ve hukuk - Nov 05 2022

web aug 16 2020 yargıtay kulüp ile takım antrenörü arasındaki sözleşme belirsiz sürelidir yarg 9 hd e 2017 13828 k 2019 19887 t 13 11 2019 taraflar arasında görülen dava sonucunda verilen kararın temyizen incelenmesi davalı vekili tarafından istenilmekle temyiz taleplerinin süresinde olduğu anlaşıldı dava dosyası için

hukuk müşavirliği tff - Apr 29 2022

web tff hukuk müşavirliği tamamı hukukçulardan oluşur ve doğrudan federasyon başkanı na bağlıdır hukuk müşavirliği futbol federasyonu bünyesinde tüm hukuki süreçleri takip ederek başta tff başkanı olmak üzere yönetim kurulu na rapor verir tff yönetim kurulu nun hukuki neticeler doğuracak kararlarında görüş bildirir futbol müsabakalarına

asif tufal contract law controlplane themintgaming com - Mar 29 2022

web asif tufal contract law downloaded from controlplane themintgaming com by guest orlando angelica betrayals of another kind brill among u s allies in the war against terrorism pakistan cannot be easily characterized as either friend or foe nuclear armed pakistan is an important center of radical islamic ideas and groups

introduction to law lawteacher net - Sep 03 2022

web aug 20 2019 legal advice if there were contracts signed between beach and asock to buy the items on 5 discount and

then later on beach changes his mind on to get 10 discount then in this case beach cannot win the case because of the breach of contract but in this case it not so because there were no contracts signed asif tufal 1996

[Annales de la faculté de droit d Istanbul](#) - Jun 12 2023

web construe it under the principles of general contract law on the conclusion of contracts and incorporation of standard contract terms meanwhile the author will also strive to conduct a comparative study between turkish law and the principles of european insurance contract law peicl 7 which also provides legal consequences for the

[asif tufal contract law lp docseducation](#) - Aug 02 2022

web asif tufal contract law asif tufal contract law unit 2 the concept of liability a level law revision a level law revision amp exam help by d hussain publications as amp a level law sixth form law if you attempt to retrieve and deploy the asif tufal contract law it is completely basic then presently we extend the

[formation english law contract s introduction to law](#) - May 11 2023

web dispute or claim of whatever nature arising out of or in some way relating in this discussion or its formation what this please

[agreement chart asif tufal formation of a contract](#) - Mar 09 2023

web asif tufal 1 formation of a contract offer and acceptance has the offeror made an offer or an invitation to treat ie 1 auctioneer s call for bids payne v cave 2 display of goods fisher v bell psqb v boots 3 advertisement partridge v crittenden except unilateral adverts carlill v carbolic smokeball 4

[asif tufal contract law help environment harvard edu](#) - Dec 06 2022

web asif tufal contract law is available in our book collection an online access to it is set as public so you can get it instantly our book servers spans in multiple locations allowing you to get the most less latency time to download any of our books like this one kindly say the asif tufal contract law is universally compatible with any

[turkish contract law springerlink](#) - Sep 15 2023

web reader finds all subject matters related to the turkish contract law in a short book written for turkish lawyers who work with international law offices with foreign customers and foreign lawyers international lawyers and students easy to read crystal clear includes simple examples

law loxford school professor john lawrenson city - Apr 10 2023

web our aim in law is on equip students with the ability to use legal skills during the study of the nature of law legal issues and the english legal system they will be able to recognise private or public areas starting substantive law analyse scenarios by naming key facts which form legal arguments and analyse legislation through and

contract law lawyer turkey attorney lawyer in istanbul tevfik - Feb 08 2023

web feb 19 2019 the concept of contract covers not only debt generating contracts but also other contracts in the field of private law such as property inheritance family and law as well as community contracts constitutions

[the solutions of disputes arising from the football manager contract](#) - Jan 07 2023

web the solutions of disputes arising from the football manager contract with foreign element and the applicable law cemil güner the aim of the football manager contract is to provide services for the professional player contract signed between the football player and the club or the transfer agreement signed between two clubs

cin material sap community - Oct 05 2022

web mar 18 2008 in a few months sap community will switch to sap universal id as the only option to login create your sap universal id now if you have multiple s or p

cin material type sap community - Feb 09 2023

web in a few months sap universal id will be the only option to login to sap community without it you will lose your content and badges if you have multiple accounts use the

cin material sap community - Aug 03 2022

web oct 25 2007 1 answer sort by vote up 0 vote down bijay kumar barik oct 25 2007 at 11 01 am hi follow the following steps and more details read help files cin

[cin tab in vendor master sap community](#) - Sep 04 2022

web jan 16 2009 to get cin details tab in vendor master goto t code omt3e select user screen reference click new entries enter the sap user name s and give in sref

[cin taxinn procedure an overview sap blogs](#) - Feb 26 2022

web aug 2 2012 say for instance plant vendor material which means if a user is creating a purchase order for material x with vendor a in plan p he can define the tax rate on

cin mm faq additional topics support wiki sap - Jul 14 2023

web sep 15 2016 in the subcontracting attributes cin img what is the difference between movement type group issues and movement type group receipts movement types

external service in maintenance order pm03 sap blogs - Nov 25 2021

web 2 days ago use the control key pm03 create a service item with a service master record to do it go to the operations tab and click on external button enter a service master

cin material sap community - Apr 11 2023

web feb 22 2008 hi gurus i need cin and excise configuration material pls anyone forward me to my email id jayraj2005 gmail com thank u very much in advance jayraj a

material staging for production order sap blogs - Mar 10 2023

web sep 11 2023 hello sap folks introduction in our blog we will cover the steps required to perform reservation and goods issue against the production order by the material

[cin material sap community](#) - May 12 2023

web jan 6 2008 in a few months sap community will switch to sap universal id as the only option to login create your sap universal id now if you have multiple s or p

cin details in customer master sap blogs - Apr 30 2022

web sep 21 2013 3 6 10 370 for those who cannot find cin details screen in their customer master would like to add the same please refer to the simple procedure as under in

[sap sd cin configuration academic tutorials](#) - Oct 25 2021

web sap sd cin configuration sap sd cin configuration what is cin cin means country india version advertisement in indian taxing procedure excise duty plays

[cin fi entries erp financials support wiki sap](#) - Jun 01 2022

web may 14 2012 in sap the movement you save the migo transaction it automatically generate fi document it will create the following entry i inventory raw material a c dr

cin sap community - Jul 02 2022

web jan 1 2009 i need a piece of information regarding the study material of cin whether sap provides any training material on cin like they provide tscm files for mm sd and do

[sample mm business blue print document for chemicals sap](#) - Dec 27 2021

web feb 4 2022 the report initially gives an overview of the materials management module purview along with cin and warehouse management this would essentially help in

[material on cin sap community](#) - Dec 07 2022

web may 1 2007 hi all could any one provide me with some material on cin regards vipin

what is sap cin what is the use of cin in sap quora - Mar 30 2022

web we would like to show you a description here but the site won t allow us

[cin material sap community](#) - Nov 06 2022

web mar 6 2007 could someone provide me cin configuration material if so you need sap universal id in a few months sap universal id will be the only option to login to sap

[sap mm cin training video sap material management](#) - Jan 08 2023

web sap mm cin online training for more details contact us email info globalonlinetrainings comind 914060501418usa 1 516

8586 242uk 44 0

sto between storage locations sap blogs - Jan 28 2022

web sep 14 2023 now create the material and extended to the storage locations material 6000235 the material is extended to both storage locations now create the purchase

[cin material for mm sap community](#) - Aug 15 2023

web dec 4 2007 hi sap guru s can any body send me cin materials for mm please provide me cin materials and please tell me which way i need to follow to get clear idea about cin from basics of cin thanks in advance sap mm

cin material sap community - Jun 13 2023

web mar 11 2008 can any one send cin customizing material including steps t codes for extraction of registers challanas etc to my mail id kiranc100 gmail com points will be

[signal and power integrity simplified prentice hall modern](#) - May 17 2023

web this edition s extensive new content includes a brand new chapter on s parameters in signal integrity applications and another on power integrity and power distribution

signal integrity simplified guide books acm digital library - Jun 06 2022

web abstract the 1 practical guide to signal integrity designnow updated with extensive new coverage this book brings together up to the minute techniques for finding fixing

signal integrity simplified prentice hall modern s - Jan 13 2023

web 2 signal integrity simplified prentice hall modern s 2022 01 28 a signal integrity engineer s companion real time test and measurement and design simulation geoff

signal integrity simplified prentice hall modern - Mar 15 2023

web signal and power integrity simplified prentice hall modern semiconductor design series bogatin eric isbn

9780132349796 kostenloser versand für alle bücher mit

signal integrity simplified powell s books - Sep 09 2022

web 4 signal integrity simplified prentice hall modern s 2021 09 18 has encountered in his professional career integrating problem solving strategies and real signal integrity case

signal integrity simplified prentice hall modern s - Nov 11 2022

web chapter 1 signal integrity is in your future 1 1 1 what is signal integrity 2 1 2 signal quality on a single net 5 1 3 cross talk 9 1 4 rail collapse noise 11 1 5

principles of power integrity for pdn design simplified - Feb 02 2022

web oct 1 2021 signal integrity is both an interconnect level problem as well as a systems level problem interconnects

comprise pads transmission lines vias between pcb

signal integrity simplified prentice hall modern s copy fwhlmail - Jul 07 2022

web signal integrity simplified prentice hall modern semiconductor design series author eric bogatin edition illustrated publisher prentice hall professional 2004 isbn

signal and power integrity simplified pearsoncmg com - Oct 10 2022

web signal integrity simplified prentice hall modern semiconductor design series by eric bogatin available in hardcover on powells com also read synopsis and reviews signal

signal integrity simplified prentice hall modern semiconductor - Jun 18 2023

web signal integrity simplified prentice hall modern semiconductor design series bogatin eric amazon com tr kitap

signal and power integrity simplified signal integrity - Aug 08 2022

web sep 1 2003 recommendations abstract from the publisher the complete guide to understanding and designing for signal integrity suitable for even non specialists

signal and power integrity simplified guide books acm - Apr 04 2022

web principles of power integrity for pdn design simplified robust and cost effective design for high speed digital products prentice hall modern prentice hall signal

signal and power integrity simplified google books - Mar 03 2022

web dec 5 2017 drawing on his work teaching several thousand engineers and graduate students world renowned expert eric bogatin systematically presents the root causes of

signal and power integrity simplified signal integrity library - Jan 01 2022

web a signal integrity engineer s companion real time test and measurement and design simulation upper saddle river new jersey prentice hall isbn 978 0 13 186006 3

signal integrity wikipedia - Oct 30 2021

what is signal integrity getting started altium designer - Nov 30 2021

web as the sizes of transistors and wires scale with moore s law signal integrity becomes increasingly challenging fig 4 13 outlines the sources but the team slowly mastered

signal integrity simplified prentice hall modern s 2022 wrbb neu - Dec 12 2022

web signal integrity simplified prentice hall modern s 1 signal integrity simplified prentice hall modern s chemical engineering design principles of power integrity for

signal integrity simplified eric bogatin google books - May 05 2022

web drawing on his work teaching several thousand engineers and graduate students world renowned expert eric bogatin systematically presents the root causes of all six families

signal and power integrity simplified prentice hall modern - Feb 14 2023

web signal integrity simplified prentice hall modern s digital timing measurements managing change embedded systems high speed digital design signal integrity

signal integrity simplified book o reilly media - Aug 20 2023

web the complete guide to understanding and designing for signal integrity suitable for even non specialists signal integrity simplified offers a comprehensive easy to follow

signal integrity simplified prentice hall modern semiconductor - Jul 19 2023

web sep 12 2003 the complete guide to understanding and designing for signal integrity suitable for even non specialists signal integrity simplified offers a comprehensive

signal integrity an overview sciencedirect topics - Sep 28 2021

signal integrity simplified 1st edition amazon com - Apr 16 2023

web sep 12 2003 from the back cover the complete guide to understanding and designing for signal integrity suitable for even non specialists signal integrity simplified