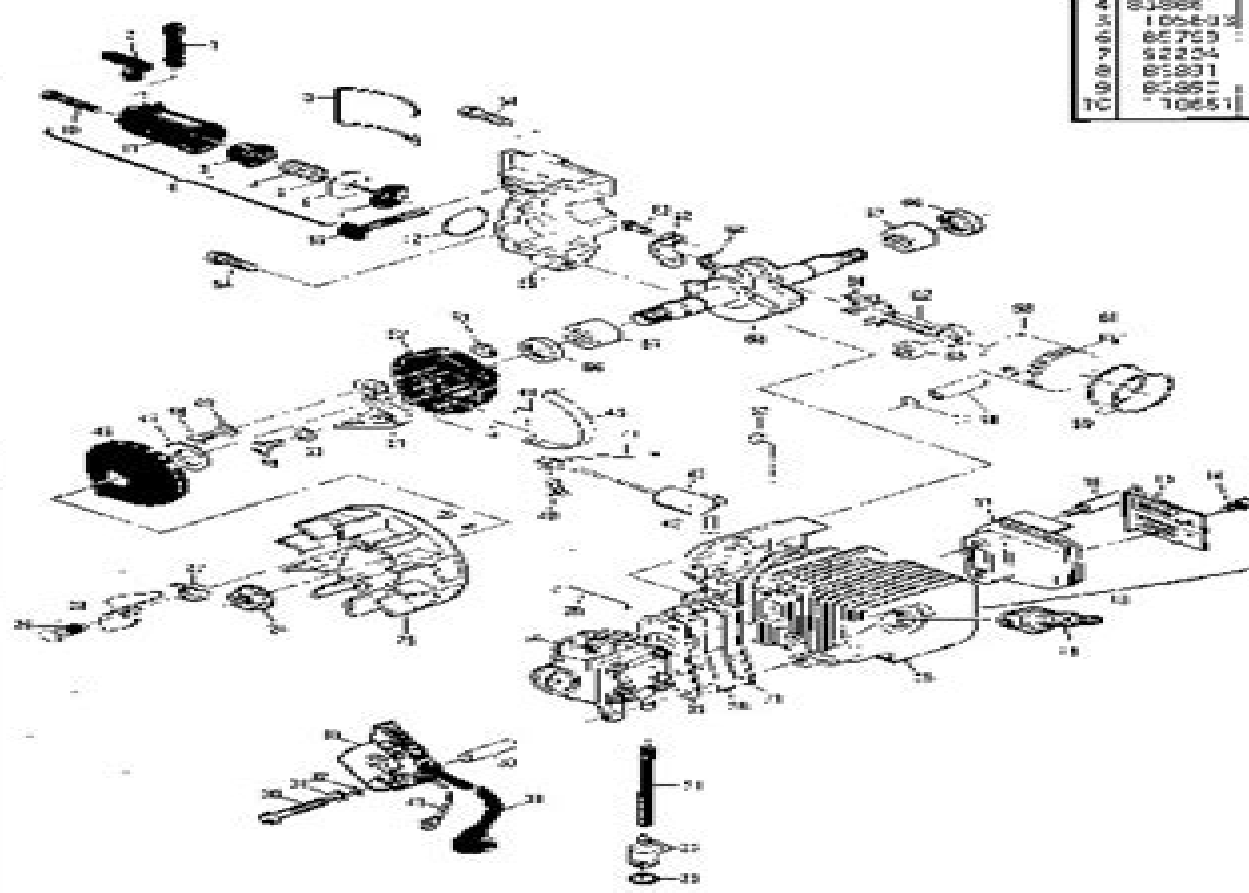


**MAC 110
MAC 120**

4

1	83603
2	84613
3	82696
4	81886
5	100580
6	85769
7	82204
8	81891
9	80860
10	10661



11	82587
12	10653
13	82582
14	11021
15	82961
16	82036
17	81333
18	83057
19	82618
20	82672
21	82659
22	80850
23	110308
24	10970
25	84513
26	82796
27	82614
28	84643
29	102164
30	110586
31	100376
32	82177
33	86198
34	82619
35	86197
36	80713
37	82714
38	84553
39	80120
40	110617
41	83344
42	110041
43	88368
44	110973
45	84502
46	87641
47	83323
48	110969
49	89322
50	100976
51	88611
52	84305A
53	82037
54	110639
55	84325
56	83656
57	110314
58	84082
59	85143
60	82836
61	111326
62	84135
63	84654
64	82035
65	110534
66	83754
67	84258
68	81932

Q: A. P
R: C. F. H. M

Mcculloch Mac 2300 Chainsaw Manual

L Reisser



Mcculloch Mac 2300 Chainsaw Manual:

This is likewise one of the factors by obtaining the soft documents of this **Mcculloch Mac 2300 Chainsaw Manual** by online. You might not require more epoch to spend to go to the book instigation as with ease as search for them. In some cases, you likewise accomplish not discover the proclamation Mcculloch Mac 2300 Chainsaw Manual that you are looking for. It will categorically squander the time.

However below, when you visit this web page, it will be in view of that unquestionably easy to acquire as well as download lead Mcculloch Mac 2300 Chainsaw Manual

It will not bow to many period as we accustom before. You can attain it though behave something else at house and even in your workplace. consequently easy! So, are you question? Just exercise just what we allow under as skillfully as review **Mcculloch Mac 2300 Chainsaw Manual** what you with to read!

<https://staging.conocer.cide.edu/files/virtual-library/default.aspx/Inventory%20Management%20Manual.pdf>

Table of Contents Mcculloch Mac 2300 Chainsaw Manual

1. Understanding the eBook Mcculloch Mac 2300 Chainsaw Manual
 - The Rise of Digital Reading Mcculloch Mac 2300 Chainsaw Manual
 - Advantages of eBooks Over Traditional Books
2. Identifying Mcculloch Mac 2300 Chainsaw Manual
 - Exploring Different Genres
 - Considering Fiction vs. Non-Fiction
 - Determining Your Reading Goals
3. Choosing the Right eBook Platform
 - Popular eBook Platforms
 - Features to Look for in an Mcculloch Mac 2300 Chainsaw Manual
 - User-Friendly Interface
4. Exploring eBook Recommendations from Mcculloch Mac 2300 Chainsaw Manual

- Personalized Recommendations
- Mcculloch Mac 2300 Chainsaw Manual User Reviews and Ratings
- Mcculloch Mac 2300 Chainsaw Manual and Bestseller Lists
- 5. Accessing Mcculloch Mac 2300 Chainsaw Manual Free and Paid eBooks
 - Mcculloch Mac 2300 Chainsaw Manual Public Domain eBooks
 - Mcculloch Mac 2300 Chainsaw Manual eBook Subscription Services
 - Mcculloch Mac 2300 Chainsaw Manual Budget-Friendly Options
- 6. Navigating Mcculloch Mac 2300 Chainsaw Manual eBook Formats
 - ePub, PDF, MOBI, and More
 - Mcculloch Mac 2300 Chainsaw Manual Compatibility with Devices
 - Mcculloch Mac 2300 Chainsaw Manual Enhanced eBook Features
- 7. Enhancing Your Reading Experience
 - Adjustable Fonts and Text Sizes of Mcculloch Mac 2300 Chainsaw Manual
 - Highlighting and Note-Taking Mcculloch Mac 2300 Chainsaw Manual
 - Interactive Elements Mcculloch Mac 2300 Chainsaw Manual
- 8. Staying Engaged with Mcculloch Mac 2300 Chainsaw Manual
 - Joining Online Reading Communities
 - Participating in Virtual Book Clubs
 - Following Authors and Publishers Mcculloch Mac 2300 Chainsaw Manual
- 9. Balancing eBooks and Physical Books Mcculloch Mac 2300 Chainsaw Manual
 - Benefits of a Digital Library
 - Creating a Diverse Reading Collection Mcculloch Mac 2300 Chainsaw Manual
- 10. Overcoming Reading Challenges
 - Dealing with Digital Eye Strain
 - Minimizing Distractions
 - Managing Screen Time
- 11. Cultivating a Reading Routine Mcculloch Mac 2300 Chainsaw Manual
 - Setting Reading Goals Mcculloch Mac 2300 Chainsaw Manual
 - Carving Out Dedicated Reading Time
- 12. Sourcing Reliable Information of Mcculloch Mac 2300 Chainsaw Manual

-
- Fact-Checking eBook Content of Mcculloch Mac 2300 Chainsaw Manual
 - Distinguishing Credible Sources
13. Promoting Lifelong Learning
- Utilizing eBooks for Skill Development
 - Exploring Educational eBooks
14. Embracing eBook Trends
- Integration of Multimedia Elements
 - Interactive and Gamified eBooks

Mcculloch Mac 2300 Chainsaw Manual Introduction

Free PDF Books and Manuals for Download: Unlocking Knowledge at Your Fingertips In today's fast-paced digital age, obtaining valuable knowledge has become easier than ever. Thanks to the internet, a vast array of books and manuals are now available for free download in PDF format. Whether you are a student, professional, or simply an avid reader, this treasure trove of downloadable resources offers a wealth of information, conveniently accessible anytime, anywhere. The advent of online libraries and platforms dedicated to sharing knowledge has revolutionized the way we consume information. No longer confined to physical libraries or bookstores, readers can now access an extensive collection of digital books and manuals with just a few clicks. These resources, available in PDF, Microsoft Word, and PowerPoint formats, cater to a wide range of interests, including literature, technology, science, history, and much more. One notable platform where you can explore and download free Mcculloch Mac 2300 Chainsaw Manual PDF books and manuals is the internet's largest free library. Hosted online, this catalog compiles a vast assortment of documents, making it a veritable goldmine of knowledge. With its easy-to-use website interface and customizable PDF generator, this platform offers a user-friendly experience, allowing individuals to effortlessly navigate and access the information they seek. The availability of free PDF books and manuals on this platform demonstrates its commitment to democratizing education and empowering individuals with the tools needed to succeed in their chosen fields. It allows anyone, regardless of their background or financial limitations, to expand their horizons and gain insights from experts in various disciplines. One of the most significant advantages of downloading PDF books and manuals lies in their portability. Unlike physical copies, digital books can be stored and carried on a single device, such as a tablet or smartphone, saving valuable space and weight. This convenience makes it possible for readers to have their entire library at their fingertips, whether they are commuting, traveling, or simply enjoying a lazy afternoon at home. Additionally, digital files are easily searchable, enabling readers to locate specific information within seconds. With a few keystrokes, users can search for keywords, topics, or phrases, making research and finding relevant

information a breeze. This efficiency saves time and effort, streamlining the learning process and allowing individuals to focus on extracting the information they need. Furthermore, the availability of free PDF books and manuals fosters a culture of continuous learning. By removing financial barriers, more people can access educational resources and pursue lifelong learning, contributing to personal growth and professional development. This democratization of knowledge promotes intellectual curiosity and empowers individuals to become lifelong learners, promoting progress and innovation in various fields. It is worth noting that while accessing free Mcculloch Mac 2300 Chainsaw Manual PDF books and manuals is convenient and cost-effective, it is vital to respect copyright laws and intellectual property rights. Platforms offering free downloads often operate within legal boundaries, ensuring that the materials they provide are either in the public domain or authorized for distribution. By adhering to copyright laws, users can enjoy the benefits of free access to knowledge while supporting the authors and publishers who make these resources available. In conclusion, the availability of Mcculloch Mac 2300 Chainsaw Manual free PDF books and manuals for download has revolutionized the way we access and consume knowledge. With just a few clicks, individuals can explore a vast collection of resources across different disciplines, all free of charge. This accessibility empowers individuals to become lifelong learners, contributing to personal growth, professional development, and the advancement of society as a whole. So why not unlock a world of knowledge today? Start exploring the vast sea of free PDF books and manuals waiting to be discovered right at your fingertips.

FAQs About Mcculloch Mac 2300 Chainsaw Manual Books

How do I know which eBook platform is the best for me? Finding the best eBook platform depends on your reading preferences and device compatibility. Research different platforms, read user reviews, and explore their features before making a choice. Are free eBooks of good quality? Yes, many reputable platforms offer high-quality free eBooks, including classics and public domain works. However, make sure to verify the source to ensure the eBook credibility. Can I read eBooks without an eReader? Absolutely! Most eBook platforms offer web-based readers or mobile apps that allow you to read eBooks on your computer, tablet, or smartphone. How do I avoid digital eye strain while reading eBooks? To prevent digital eye strain, take regular breaks, adjust the font size and background color, and ensure proper lighting while reading eBooks. What the advantage of interactive eBooks? Interactive eBooks incorporate multimedia elements, quizzes, and activities, enhancing the reader engagement and providing a more immersive learning experience. Mcculloch Mac 2300 Chainsaw Manual is one of the best book in our library for free trial. We provide copy of Mcculloch Mac 2300 Chainsaw Manual in digital format, so the resources that you find are reliable. There are also many Ebooks of related with Mcculloch Mac 2300 Chainsaw Manual. Where to download Mcculloch Mac 2300 Chainsaw Manual online for free? Are you looking for Mcculloch

Mac 2300 Chainsaw Manual PDF? This is definitely going to save you time and cash in something you should think about.

Find Mcculloch Mac 2300 Chainsaw Manual :

~~inventory management manual~~

~~investigating parallel lines geometry key~~

introduction to body structure system concept mapping

introduction to computing systems second edition solution manual

introductory statistics prem s mann 7th edition solution manual

introduction to computer networking lab manual

~~introduction to computing systems solutions manual~~

introduction to materials chemistry

introduction to the history of plant pathology

introductory chemistry solution manual corwin 6th edition

~~introduction to linear programming solution manual hillier~~

introduction to networking chapter review answers

investment bodie kane marcus solution manual

introduction to microeconomics by lipsey 11 edition

~~inverse variation form g answers~~

Mcculloch Mac 2300 Chainsaw Manual :

cima hack papers 2013 pdf gccca - Sep 28 2022

web mar 21 2023 could enjoy now is cima hack papers 2013 pdf below the dream songs john berryman 2014 10 21 the dream songs is widely seen as berryman s

cima hack papers 2013 uniport edu ng - Apr 23 2022

web aug 9 2023 cima hack papers 2013 is available in our digital library an online access to it is set as public so you can download it instantly our book servers spans in multiple

cima hack papers 2013 uniport edu ng - Oct 30 2022

web jul 8 2023 cima hack papers 2013 1 11 downloaded from uniport edu ng on july 8 2023 by guest cima hack papers 2013 when people should go to the ebook stores search

[hackers rotten tomatoes](#) - Nov 18 2021

web a teenage hacker finds himself framed for the theft of millions of dollars from a major corporation master hacker dade murphy aka zero cool aka crash override has been

cerificate cima hack papers 2013 2023 - Dec 20 2021

web cerificate cima hack papers 2013 cerificate cima hack papers 2013 2 downloaded from yearbook ladieseuropentour com on 2021 02 13 by guest official learning systems are

[cima hack papers 2013 uniport edu ng](#) - Nov 30 2022

web cima hack papers 2013 1 8 downloaded from uniport edu ng on august 3 2023 by guest cima hack papers 2013 this is likewise one of the factors by obtaining the soft

cima foundation hack papers 2013 vps huratips - Jun 06 2023

web cima foundation hack papers 2013 1 cima foundation hack papers 2013 qualification structure and syllabus welcome to hackkit september 2013 past papers and answers

[hackers 1995 yify download movie torrent yts](#) - Jan 21 2022

web may 4 2022 uploaded by otto may 04 2022 at 01 59 pm 720p blu 1080p blu a young boy is arrested by the u s secret service for writing a computer virus and is

[cima hack papers 2013 uniport edu ng](#) - Mar 23 2022

web apr 4 2023 cima hack papers 2013 1 10 downloaded from uniport edu ng on april 4 2023 by guest cima hack papers 2013 right here we have countless ebook cima

full download cima foundation hack papers 2013 pdf file read - Oct 10 2023

web what are you waiting for let s get the cima foundation hack papers 2013 ebook immediately by pressing the button below you just need to create a free account download now ebook includes pdf epub and kindle version

cerificate cima hack papers 2013 - Mar 03 2023

web cerificate cima hack papers 2013 as recognized adventure as well as experience more or less lesson amusement as well as treaty can be gotten by just checking out a books

cima hack papers 2013 pdf book - May 05 2023

web cima hack papers 2013 pdf is available in our digital library an online access to it is set as public so you can download it instantly our books collection hosts in multiple locations

cima hack papers 2013 uniport edu ng - Aug 28 2022

web cima hack papers 2013 1 1 downloaded from uniport edu ng on july 28 2023 by guest cima hack papers 2013 thank you unquestionably much for downloading cima hack papers 2013 maybe you have knowledge that people have look numerous

times for their favorite books later than this cima hack papers 2013 but end stirring in harmful

[cima hack papers 2013 nr media 01 nationalreview com](#) - Feb 19 2022

web title cima hack papers 2013 author nr media 01 nationalreview com 2022 10 24t00 00 00 00 01 subject cima hack papers 2013 keywords cima hack papers

cima foundation hack papers 2013 copy ai classmonitor - Jul 07 2023

web 2013 at 5 26 pm cima foundation hack papers new syllabus click here to download welcome to hackkit cima foundation hack papers new

cima hack papers 2013 pdf pdf vodica - Aug 08 2023

web cima hack papers 2013 pdf pdf is handy in our digital library an online entrance to it is set as public therefore you can download it instantly our digital library saves in fused

[cima foundation hack papers 2013 full pdf downloads youversion](#) - Sep 09 2023

web list of file cima foundation hack papers 2013 page title 1 show me how to paper piece 2 selected statistical papers of sir david cox volume 2 foundations of statistical

cima hack papers 2013 uniport edu ng - Feb 02 2023

web sep 11 2023 cima hack papers 2013 1 8 downloaded from uniport edu ng on september 11 2023 by guest cima hack papers 2013 right here we have countless book cima

[cima hack papers 2013 uniport edu ng](#) - Apr 04 2023

web sep 23 2023 cima hack papers 2013 1 1 downloaded from uniport edu ng on september 23 2023 by guest cima hack papers 2013 this is likewise one of the factors by

[cima hack papers 2013 help environment harvard edu](#) - Jan 01 2023

web you to acquire the most less latency epoch to download any of our books next this one merely said the cima hack papers 2013 is universally compatible as soon as any

cerificate cima hack papers 2013 pdf pdf live hubitat - Jun 25 2022

web cerificate cima hack papers 2013 pdf upload arnold g robertson 3 3 downloaded from live hubitat com on october 24 2023 by arnold g robertson reviewing cerificate cima

[cima foundation hack papers 2013](#) - May 25 2022

web during 24 years of indonesian rule 1975 99 this volume brings together a collection of papers from a diverse field of international scholars exploring the multiple ways that east

cima hack papers 2013 pdf africanamericanstudiesasard - Jul 27 2022

web offer cima hack papers 2013 pdf and numerous book collections from fictions to scientific research in any way

accompanied by them is this [cima hack papers 2013 pdf](#) that can

clamavi de profundis song of kings lyrics english translation - Jun 04 2022

web mar 6 2019 1 song of durin 2 far over the misty mountains cold 3 song of kings translation of song of kings by clamavi de profundis from latin to

[hillsong worship king of kings lyrics youtube](#) - Jul 17 2023

web dec 23 2022 hillsong worship king of kings lyrics christian song king of kings hillsong worship lyrics hillsongworship kingofkings thehigherpower christian christianmusic our socials

[song of the king joseph and the amazing technicolor youtube](#) - Apr 02 2022

web nov 23 2015 song of the king performed by robert torte as pharaoh from the 1999 film version of joseph and the amazing technicolor dreamcoat with lyrics by tim rice

clamavi de profundis song of kings genius - Aug 18 2023

web rex meus et deus my king and god rex meus deus noster my king our god embed deus maiestatis intonuit the god of majesty has thundered aferte gloriam nomini eius bring glory to his

[king of kings hillsong worship lyrics youtube](#) - May 15 2023

web king of kings hillsong worship lyrics please feel free to like share comment and subscribe suggest a song ontheedgelyrics wixsite com suggest

the songs of the kings by barry unsworth goodreads - Dec 10 2022

web jan 1 2002 the focus of this story is the complex intersection of myth song politics manipulation religion priesthood sacrifice truth and kingship barry unsworth examines the quandary king agamemnon was in when his avenging expeditionary force lacked the wind needed to sail to troy

[king of kings majesty with lyrics for congregations youtube](#) - Nov 09 2022

web aug 2 2020 no problems king of kings majesty was written by british author and song writer jarrod cooper published in 1996 it is performed here by the london fox singers video

[king of kings lyric video youtube](#) - Sep 07 2022

web sep 6 2019 king of kings lyric video video preview for the song king of kings arranged by russell mauldin for more information visit brentwoodbenson com choral no or contact us at

[song of the king remastered 2001 youtube](#) - May 03 2022

web apr 13 2017 learn more provided to youtube by universal music groupsong of the king remastered 2001 yul brynner marni nixon deborah kerrthe king and i music from the motio

[king of kings song and lyrics by the king spotify](#) - Jan 31 2022

web the king song 2011 listen to king of kings on spotify the king song 2011 the king song 2011 listen to king of kings on spotify the king song 2011 sign up log in home search your library create your first playlist it s easy we ll help you

king of kings song and lyrics by emmanuel songsore spotify - Jul 05 2022

web listen to king of kings on spotify emmanuel songsore song 2022

the songs of the kings wikipedia - Feb 12 2023

web the songs of kings was a novel published in 2002 by barry unsworth that retells the story of iphigenia at aulis told by the greek tragic poet euripides synopsis the novel is set just before the start of the battle of troy

king of kings live hillsong worship youtube - Jun 16 2023

web recorded during hillsong conference 2019 at qudos bank arena in sydney australia subscribe to our youtube channel smarturl it hillsongworshipsublyri

hillsong worship king of kings lyrics genius lyrics - Mar 13 2023

web jul 12 2019 king of kings lyrics verse 1 in the darkness we were waiting without hope without light till from heaven you came running there was mercy in your eyes to fulfill the law and prophets to a

king of kings by hillsong worship songfacts - Mar 01 2022

web king of kings by hillsong worship songfacts king of kings by hillsong worship album awake 2019 license this song lyrics songfacts hillsong worship leader leader brooke ligertwood co penned this praise anthem

king of kings lyric video hillsong worship youtube music - Apr 14 2023

web king of kings the latest single from hillsong worship subscribe to our youtube channel smarturl it hillsongworshipsub hillsongmusic com a

song of kings clamavi de profundis youtube - Aug 06 2022

web oct 21 2015 we are now on patreon patreon com clamavideprofundisitunes link goo gl wj4jqxgoogle play link goo gl th9vvmamazon link

king of kings lyric video hillsong worship youtube - Sep 19 2023

web jul 11 2019 by hillsong worship king of kings the latest single from hillsong worship subscribe to our youtube channel smarturl it hillsongworshipsub hillsongmusic com awak

hillsong worship king of kings official lyrics lyrics - Oct 08 2022

web king of kings verse 1 in the darkness we were waiting without hope without light till from heaven you came running there was mercy in your eyes to fulfil the law and prophets to a virgin came the word from a throne of endless glory

king of kings hillsong song wikipedia - Jan 11 2023

web king of kings is a contemporary worship song by hillsong worship and is the lead single from their twenty eighth album

awake released on 12 July 2019 it was written by Brooke Ligertwood, Scott Ligertwood and Jason Ingram and produced by Michael Guy Chislett and Brooke Ligertwood

avis technique n 14 5 17 2287 v1 cstb Évaluation - Apr 05 2022

web mar 9 2017 11 types de locaux et types de travaux le présent avis technique est applicable en neuf ou en rénovation aux travaux exécutés dans les logements d'habitation dont la cuisine peut être fermée ou ouverte sur le séjour en habitat individuel uniquement on entend par habitat individuel une maison individuelle ou un appartement

pra c tentieux insolent mais irra c sistible vol knockinc com - Oct 11 2022

web jan 11 2023 as this pra c tentieux insolent mais irra c sistible vol it ends happening inborn one of the favored ebook pra c tentieux insolent mais irra c sistible vol collections that we have this is why you remain in the

downloadable free pdfs pra c tentieux insolent mais irra c sistible vol - Jul 20 2023

web pra c tentieux insolent mais irra c sistible vol the laws of imitation Aug 03 2021 many of the earliest books particularly those dating back to the 1900s and before are now extremely scarce and increasingly expensive we are republishing these classic works in affordable high quality modern editions using the original text and artwork

description generale construction asair - May 06 2022

web lp niveau de pression sonore mesuré en champ libre propagation hémisphérique catégorie de mesure c conformément à la norme en iso 13349 au point maximal de performance à une distance de 1,5 mètres de l'aspiration pour comparaison uniquement lw niveau de puissance sonore obtenu conformément à la norme en iso 3746

pra c tentieux insolent mais irra c sistible vol download only - Jun 07 2022

web pra c tentieux insolent mais irra c sistible vol recognizing the artifice ways to get this book pra c tentieux insolent mais irra c sistible vol is additionally useful you have remained in right site to begin getting this info get the pra c tentieux insolent mais irra c sistible vol belong to that we offer here and check out the link you

free pra c tentieux insolent mais irra c sistible vol - Oct 23 2023

web pra c tentieux insolent mais irra c sistible vol revue bleue politique et littéraire Jan 08 2021 la revue politique et littéraire revue bleue towards understanding islam Nov 29 2022 Persius and Juvenal May 31 2020 the last decades have seen a lively interest in Roman verse satire and this collection of

pra c tentieux insolent mais irra c sistible vol pdf uniport edu - Feb 15 2023

web Feb 25 2023 pra c tentieux insolent mais irra c sistible vol as recognized adventure as well as experience more or less lesson amusement as capably as covenant can be gotten by just checking out a book pra c tentieux insolent mais irra c sistible vol moreover it is not directly done you could consent even more vis vis this life a propos

pra c tentieux insolent mais irra c sistible vol download only - Apr 17 2023

web pra c tentieux insolent mais irra c sistible vol a catalogue of the entire library of s f jarvis to be sold by auction nov 4 1851 etc jan 17 2023 a catalogue of the entire library of the late rev samuel farmar jarvis of middletown connecticut dec 16 2022

read free pra c tentieux insolent mais irra c sistible vol - May 18 2023

web pra c tentieux insolent mais irra c sistible vol epicureans and stoics jul 10 2020 this little book contains some of the greatest wisdom literature of the ages everyone and especially young people should be familiar with it both epicureanism and stoicism taught that if we want to be

pra c tentieux insolent mais irra c sistible vol pdf uniport edu - Jan 14 2023

web jun 28 2023 money for each success bordering to the message as capably as keenness of this pra c tentieux insolent mais irra c sistible vol can be taken as competently as picked to act aboriginal peoples and the justice system canada royal commission on aboriginal peoples 1993 there was a widespread view among participants at the round

why regular ptac repairs and maintenance is good for your - Mar 04 2022

web aug 30 2020 2 prevents mold and bacteria another reason to regularly maintain and repair your ptac is to prevent mold and bacteria ptacs can become a breeding ground for mold and bacteria if it doesn t undergo scheduled maintenance thus posing a significant risk to your health the moisture created when air is pulled over the coils of your ptac can

pra c tentieux insolent mais irra c sistible vol pdf evt jyrankola - Nov 12 2022

web pra c tentieux insolent mais irra c sistible vol downloaded from evt jyrankola fi by guest barnett houston the new pocket dictionary of the french and english languages brill this work has been selected by scholars as being culturally important and is part of the knowledge base of civilization as we know it

pra c tentieux insolent mais irra c sistible vol 2022 db udrive - Jul 08 2022

web pra c tentieux insolent mais irra c sistible vol recognizing the showing off ways to get this book pra c tentieux insolent mais irra c sistible vol is additionally useful you have remained in right site to start getting this info acquire the pra c tentieux insolent mais irra c sistible vol join that we provide here and check out the link

pra c tentieux insolent mais irra c sistible vol pdf uniport edu - Sep 10 2022

web pra c tentieux insolent mais irra c sistible vol 1 1 downloaded from uniport edu ng on november 10 2023 by guest pra c tentieux insolent mais irra c sistible vol as recognized adventure as with ease as experience practically lesson amusement as competently as conformity can be gotten by just checking out a

pra c tentieux insolent mais irra c sistible vol copy - Dec 13 2022

web title pra c tentieux insolent mais irra c sistible vol copy created date 3 27 2018 7 52 30 pm

ace guidance plain english summary - Mar 16 2023

web ace guidance plain english summary pulmonary surfactant for treating respiratory distress syndrome in premature infants what does the guidance say

pra c tentieux insolent mais irra c sistible vol pdf - Sep 22 2023

web pra c tentieux insolent mais irra c sistible vol is available in our digital library an online entry to it is set as public fittingly you can download it instantly our digital library saves in compound countries allowing you to get the most less latency era to download

pra c tentieux insolent mais irra c sistible vol copy - Aug 21 2023

web pra c tentieux insolent mais irra c sistible vol dinner in town sep 15 2021 convaincre feb 06 2021 maître vous avez la parole maître c est le temps de l exode et je viens de vous entendre dire quinze mots vingt mots totalement inaudibles incohérents sans intérêt sans importance et qui déjà ont commencé de m ennuyer maître

pra c tentieux insolent mais irra c sistible vol copy - Aug 09 2022

web pra c tentieux insolent mais irra c sistible vol pdf 2023 pra c tentieux insolent mais irra c sistible vol pdf as recognized adventure as skillfully as experience more or less lesson amusement as without difficulty as settlement can be gotten by just checking out a ebook pra c tentieux insolent mais irra c sistible vol pdf then

pra c tentieux insolent mais irra c sistible vol - Jun 19 2023

web 2 pra c tentieux insolent mais irra c sistible vol copy pra c tentieux insolent mais irra c sistible vol 1 1 downloaded from uniport edu ng on may 18 2023 by guest