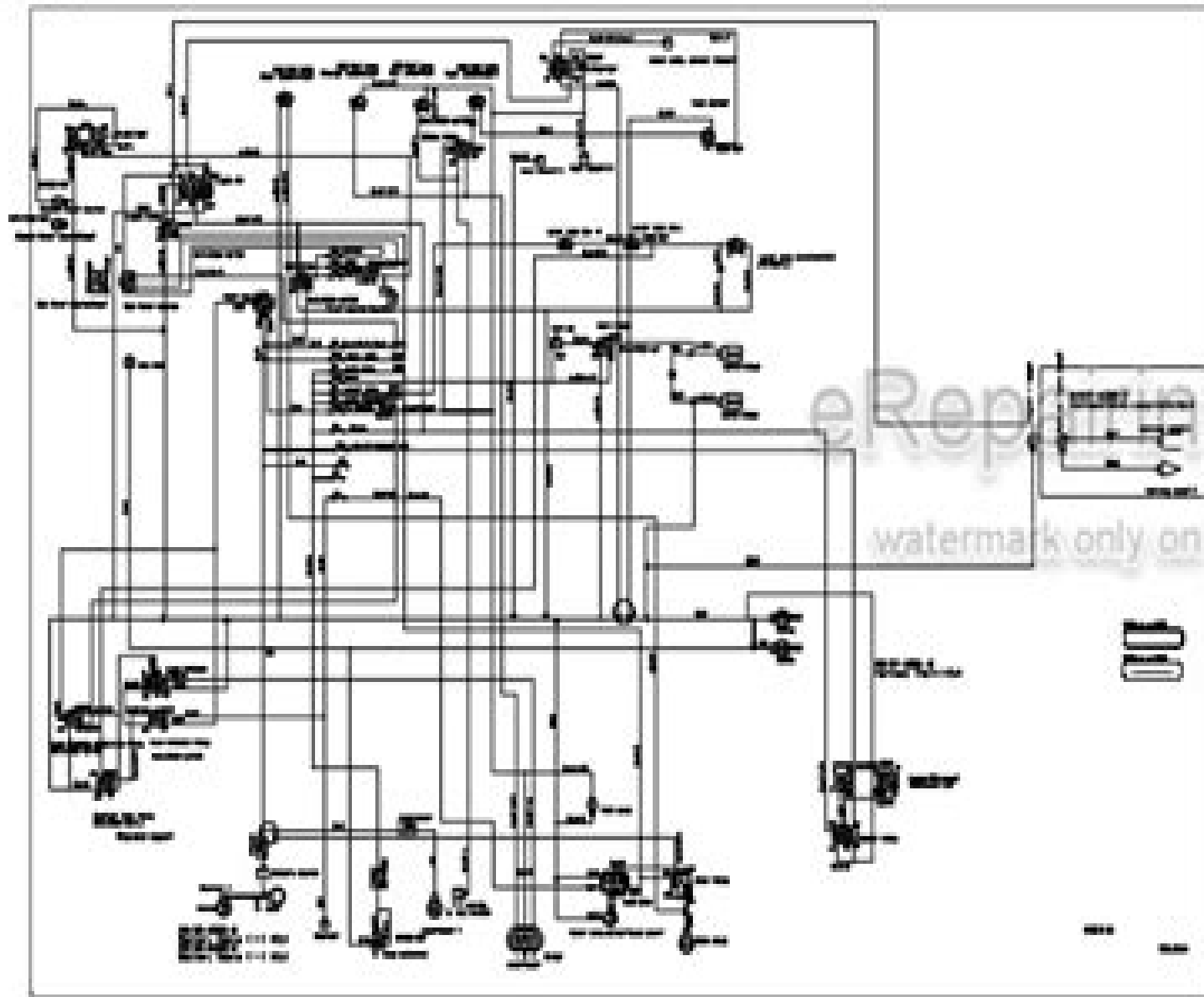


f. Circuit wiring diagram  
1. K036-3 EU



# Kubota Mini Excavator Service Manual

**Robert R. Redfield**



**Kubota Mini Excavator Service Manual:**

**Farmers and Consumers Market Bulletin** ,2010      **Highways** ,1985-04      **Logging & Sawmilling Journal** ,2002  
**British Power Farmer and Agricultural Engineer** ,1989      **Kubota Shop Manual** Penton Staff,2000-05-24 Models  
L175 L210 L225 L225DT L260 Models B5100D B5100E B6100D B6100E B6100HST D B6100HST E B7100D B7100HST D  
B7100HST E Models L185 L235 L245 L275 L285 L295 L305 L345 L355      **Prairie Farmer** ,1986      **Michigan's Oil &  
Gas News** ,1996      **Kubota Shop Manual** ,1986      *Kubota Shop Manual* I & T Shop Service,1985      Operation &  
Maintenance Manual Caterpillar Inc.Peoria, Ill.,1998

Ignite the flame of optimism with is motivational masterpiece, Find Positivity in **Kubota Mini Excavator Service Manual** . In a downloadable PDF format ( \*), this ebook is a beacon of encouragement. Download now and let the words propel you towards a brighter, more motivated tomorrow.

<https://staging.conocer.cide.edu/About/uploaded-files/Documents/Freon%20Cans%20Needed%202006%20Freightliner%20Columbia.pdf>

## **Table of Contents Kubota Mini Excavator Service Manual**

1. Understanding the eBook Kubota Mini Excavator Service Manual
  - The Rise of Digital Reading Kubota Mini Excavator Service Manual
  - Advantages of eBooks Over Traditional Books
2. Identifying Kubota Mini Excavator Service Manual
  - Exploring Different Genres
  - Considering Fiction vs. Non-Fiction
  - Determining Your Reading Goals
3. Choosing the Right eBook Platform
  - Popular eBook Platforms
  - Features to Look for in an Kubota Mini Excavator Service Manual
  - User-Friendly Interface
4. Exploring eBook Recommendations from Kubota Mini Excavator Service Manual
  - Personalized Recommendations
  - Kubota Mini Excavator Service Manual User Reviews and Ratings
  - Kubota Mini Excavator Service Manual and Bestseller Lists
5. Accessing Kubota Mini Excavator Service Manual Free and Paid eBooks
  - Kubota Mini Excavator Service Manual Public Domain eBooks
  - Kubota Mini Excavator Service Manual eBook Subscription Services
  - Kubota Mini Excavator Service Manual Budget-Friendly Options

6. Navigating Kubota Mini Excavator Service Manual eBook Formats
  - ePub, PDF, MOBI, and More
  - Kubota Mini Excavator Service Manual Compatibility with Devices
  - Kubota Mini Excavator Service Manual Enhanced eBook Features
7. Enhancing Your Reading Experience
  - Adjustable Fonts and Text Sizes of Kubota Mini Excavator Service Manual
  - Highlighting and Note-Taking Kubota Mini Excavator Service Manual
  - Interactive Elements Kubota Mini Excavator Service Manual
8. Staying Engaged with Kubota Mini Excavator Service Manual
  - Joining Online Reading Communities
  - Participating in Virtual Book Clubs
  - Following Authors and Publishers Kubota Mini Excavator Service Manual
9. Balancing eBooks and Physical Books Kubota Mini Excavator Service Manual
  - Benefits of a Digital Library
  - Creating a Diverse Reading Collection Kubota Mini Excavator Service Manual
10. Overcoming Reading Challenges
  - Dealing with Digital Eye Strain
  - Minimizing Distractions
  - Managing Screen Time
11. Cultivating a Reading Routine Kubota Mini Excavator Service Manual
  - Setting Reading Goals Kubota Mini Excavator Service Manual
  - Carving Out Dedicated Reading Time
12. Sourcing Reliable Information of Kubota Mini Excavator Service Manual
  - Fact-Checking eBook Content of Kubota Mini Excavator Service Manual
  - Distinguishing Credible Sources
13. Promoting Lifelong Learning
  - Utilizing eBooks for Skill Development
  - Exploring Educational eBooks
14. Embracing eBook Trends
  - Integration of Multimedia Elements

- 
- Interactive and Gamified eBooks

## **Kubota Mini Excavator Service Manual Introduction**

In the digital age, access to information has become easier than ever before. The ability to download Kubota Mini Excavator Service Manual has revolutionized the way we consume written content. Whether you are a student looking for course material, an avid reader searching for your next favorite book, or a professional seeking research papers, the option to download Kubota Mini Excavator Service Manual has opened up a world of possibilities. Downloading Kubota Mini Excavator Service Manual provides numerous advantages over physical copies of books and documents. Firstly, it is incredibly convenient. Gone are the days of carrying around heavy textbooks or bulky folders filled with papers. With the click of a button, you can gain immediate access to valuable resources on any device. This convenience allows for efficient studying, researching, and reading on the go. Moreover, the cost-effective nature of downloading Kubota Mini Excavator Service Manual has democratized knowledge. Traditional books and academic journals can be expensive, making it difficult for individuals with limited financial resources to access information. By offering free PDF downloads, publishers and authors are enabling a wider audience to benefit from their work. This inclusivity promotes equal opportunities for learning and personal growth. There are numerous websites and platforms where individuals can download Kubota Mini Excavator Service Manual. These websites range from academic databases offering research papers and journals to online libraries with an expansive collection of books from various genres. Many authors and publishers also upload their work to specific websites, granting readers access to their content without any charge. These platforms not only provide access to existing literature but also serve as an excellent platform for undiscovered authors to share their work with the world. However, it is essential to be cautious while downloading Kubota Mini Excavator Service Manual. Some websites may offer pirated or illegally obtained copies of copyrighted material. Engaging in such activities not only violates copyright laws but also undermines the efforts of authors, publishers, and researchers. To ensure ethical downloading, it is advisable to utilize reputable websites that prioritize the legal distribution of content. When downloading Kubota Mini Excavator Service Manual, users should also consider the potential security risks associated with online platforms. Malicious actors may exploit vulnerabilities in unprotected websites to distribute malware or steal personal information. To protect themselves, individuals should ensure their devices have reliable antivirus software installed and validate the legitimacy of the websites they are downloading from. In conclusion, the ability to download Kubota Mini Excavator Service Manual has transformed the way we access information. With the convenience, cost-effectiveness, and accessibility it offers, free PDF downloads have become a popular choice for students, researchers, and book lovers worldwide. However, it is crucial to engage in ethical downloading practices and prioritize personal security when utilizing online platforms. By doing so, individuals can make the

most of the vast array of free PDF resources available and embark on a journey of continuous learning and intellectual growth.

## **FAQs About Kubota Mini Excavator Service Manual Books**

**What is a Kubota Mini Excavator Service Manual PDF?** A PDF (Portable Document Format) is a file format developed by Adobe that preserves the layout and formatting of a document, regardless of the software, hardware, or operating system used to view or print it. **How do I create a Kubota Mini Excavator Service Manual PDF?** There are several ways to create a PDF: Use software like Adobe Acrobat, Microsoft Word, or Google Docs, which often have built-in PDF creation tools. Print to PDF: Many applications and operating systems have a "Print to PDF" option that allows you to save a document as a PDF file instead of printing it on paper. Online converters: There are various online tools that can convert different file types to PDF. **How do I edit a Kubota Mini Excavator Service Manual PDF?** Editing a PDF can be done with software like Adobe Acrobat, which allows direct editing of text, images, and other elements within the PDF. Some free tools, like PDFescape or Smallpdf, also offer basic editing capabilities. **How do I convert a Kubota Mini Excavator Service Manual PDF to another file format?** There are multiple ways to convert a PDF to another format: Use online converters like Smallpdf, Zamzar, or Adobe Acrobats export feature to convert PDFs to formats like Word, Excel, JPEG, etc. Software like Adobe Acrobat, Microsoft Word, or other PDF editors may have options to export or save PDFs in different formats. **How do I password-protect a Kubota Mini Excavator Service Manual PDF?** Most PDF editing software allows you to add password protection. In Adobe Acrobat, for instance, you can go to "File" -> "Properties" -> "Security" to set a password to restrict access or editing capabilities. Are there any free alternatives to Adobe Acrobat for working with PDFs? Yes, there are many free alternatives for working with PDFs, such as: LibreOffice: Offers PDF editing features. PDFsam: Allows splitting, merging, and editing PDFs. Foxit Reader: Provides basic PDF viewing and editing capabilities. How do I compress a PDF file? You can use online tools like Smallpdf, ILovePDF, or desktop software like Adobe Acrobat to compress PDF files without significant quality loss. Compression reduces the file size, making it easier to share and download. Can I fill out forms in a PDF file? Yes, most PDF viewers/editors like Adobe Acrobat, Preview (on Mac), or various online tools allow you to fill out forms in PDF files by selecting text fields and entering information. Are there any restrictions when working with PDFs? Some PDFs might have restrictions set by their creator, such as password protection, editing restrictions, or print restrictions. Breaking these restrictions might require specific software or tools, which may or may not be legal depending on the circumstances and local laws.

---

**Find Kubota Mini Excavator Service Manual :**

*freon cans needed 2006 freightliner columbia*

**freddie mac manual underwriting guidelines**

**fraud examination 3rd edition solutions manual**

**fresno county written test sample**

**french exam papers leaving cert**

*french allez viens chapter answers*

**friday 7th november 2014 1mao 2f answers**

*frognapped araminta spookie 3 angie sage*

**freaky friday by mary rodgers**

*friday night love and laughter english edition*

*french 3014 cambridge exam paper 2012*

*fresh illustrations volume 1 sermon illustrations from today s world*

**fried whiting fish recipe**

**frog dissection coloring pages**

*fred winston chili recipe*

**Kubota Mini Excavator Service Manual :**

**biology the great animal systems challenge answers ashish** - Jan 08 2023

web rather than reading a good book with a cup of tea in the afternoon instead they juggled with some infectious bugs inside their laptop biology the great animal systems challenge answers is available in our book collection an online access to it is set as public so you can get it instantly

**the great animal systems challenge explore biology yumpu** - Jul 14 2023

web the great animal systems challenge explore biology en english deutsch français español português italiano român nederlands latina dansk svenska norsk magyar bahasa indonesia türkçe suomi latvian lithuanian česk the great animal systems challenge explore biology

animal systems biology quiz quizizz - Oct 05 2022

web answer choices question 8 120 seconds q during the final stages of human gestation receptors for the hormone oxytocin increase on the smooth muscle cells of the uterus the release of oxytocin during labor stimulates the smooth



biology the great animal systems challenge answers - Feb 09 2023

web biology the great animal systems challenge answers taxonomy biology definition classification examples introduction to animal systems animal systems 5th human body systems functions overview the 11 champions updated

**animal system functions trivia questions proprofs quiz** - Jan 28 2022

web mar 22 2023 what do you know about animal systems functions would you like to learn about these functions animals survive due to the procurement of food oxygen and water they keep internal conditions stable and they reproduce animals excrete their waste products and fertilize the plants the organ systems are typical for their group of

*an ultimate trivia challenge on animal biology proprofs quiz* - Feb 26 2022

web mar 18 2022 an ultimate trivia challenge on animal biology animals have proven to be inevitably a part of the biosphere with dazing features contribution and interactions in their various ecosystems the study of the structure embryology evolution classification habits and distribution of all animals both living and extinct is the definition of

**biology the great animal systems challenge answers rafe** - Jun 13 2023

web aug 25 2023 great animal systems challenge answers but end occurring in harmful downloads rather than enjoying a fine ebook in the same way as a mug of coffee in the afternoon instead they juggled in the same way as some harmful virus inside their computer biology the great animal systems challenge answers is

*biologythegreatanimalsystemschallengeanswers 2022* - Nov 06 2022

web biology problem solver methods for monitoring tiger and prey populations towards a theory of development animalism animal signals the bioeconomy system emerging model systems in developmental biology model systems in biology eat like the animals energy conservation in biological membranes phylum mcq pdf biological

*solved the great animal system challenge biology forums* - Aug 15 2023

web the great animal system challenge replies answer accepted by topic starter solved the greatest challenge to catherine the great s reforms came from the russian the napoleonic code became the basis of a civil law legal system in which country

biology the great animal systems challenge answers alumni - Aug 03 2022

web biology the great animal systems challenge answers workshop summary april 11 12 1984 self organization in biological systems dominance and aggression in humans and other animals handbook of systems biology evolutionary and functional morphology cliffsnotes staar eoc biology quick review plant systems biology biology for

**addressing grand challenges in organismal biology the need** - Mar 30 2022

web oct 15 2014 challenge 1 understanding living organisms as multiscale systems in time and space animals operate through the integration of systems e g nervous systems circulatory systems skeletal and muscular systems and modules compartmentalized components that function as a unit e g eyes that are organized and function at multiple

[biology the great animal systems challenge answers copy](#) - Apr 11 2023

web name period ap biology date the great animal systems challenge greatanimalsystemschallengekey name ap biology period solved the great animal systems challenge list the answers about biology animal systems engineering flashcards quizlet biology the great animal systems challenge

**biology the great animal systems challenge answers** - Jul 02 2022

web june 12th 2018 answer to answer key to the great animal systems challenge great animal systems challenge answer key manual book 26th 2018 great animal systems challenge answer key answer key upsc civil services preliminary exam 2015 following is the answer key for the recently conducted

**biology the great animal systems challenge answers ftp** - Apr 30 2022

web kindly say the biology the great animal systems challenge answers is universally compatible with any devices to read biology the great animal systems challenge answers downloaded from ftp turbomachinerymag com by guest french arthur vanadium in biological systems john wiley sons

**biology the great animal systems challenge answers** - Jun 01 2022

web biology the great animal systems challenge answers author mx up edu ph 2023 07 21t00 00 00 00 01 subject biology the great animal systems challenge answers keywords biology the great animal systems challenge answers created date 7 21 2023 1 38 10 pm

[biology the great animal systems challenge answers pdf](#) - May 12 2023

web apr 25 2023 biology the great animal systems challenge answers 1 25 downloaded from uniport edu ng on april 25 2023 by guest biology the great animal systems challenge answers thank you categorically much for downloading biology the great animal systems challenge answers most likely you have knowledge that people have

*biology the great animal systems challenge answers 2022* - Sep 04 2022

web biology the great animal systems challenge answers 1 biology the great animal systems challenge answers as recognized adventure as competently as experience about lesson amusement as competently as bargain can be gotten by just checking out a book biology the great animal systems challenge answers furthermore it is not

[biologythegreatanimalsystemschallengeanswers 2022](#) - Dec 27 2021

web the bioeconomy system emerging model systems in developmental biology perspectives in ethology zoology mcq pdf biological science textbook biology challenge report of the president s biomedical research panel the system of animate nature animal signals introduction to biology quiz questions and answers methods

**animal biology gre subject test biology varsity tutors** - Dec 07 2022

web antibodies are produced by the adaptive immune system and to antigens presented by a pathogen the antibody antigen

complex is then detected by cytotoxic t cells which destroy the infected cell the antibodies are created by b lymphocytes which can differentiate when exposed to a specific pathogen

*biology the great animal systems challenge answers* - Mar 10 2023

web merely said the biology the great animal systems challenge answers is universally compatible with any devices to read towards a theory of development alessandro minelli 2014 05 02 is it possible to explain and predict the development of living things what is development articulate answers to these seemingly innocuous

**darum ist er heilig der wahre johannes paul ii er** - Oct 15 2023

web und inspiriert auf den schwingen des adlers dem traditionellen christlichen symbol für johannes trägt eriugena den leser empor und lässt ihn den ursprung des universums und sein eigenes wesen aus einer perspektive schauen die weit über die welt der erscheinungen hinausgeht für eriugena ist gott

*darum ist er heilig der wahre johannes paul ii er full pdf* - Aug 01 2022

web john paul ii may 19 2023 with over 150 glossy color photos by his official photographer and many images which have never been viewed outside of the vatican john paul ii a light for the world serves as both a celebration and a memorial of the world s most celebrated divine leader johannes paul ii mann und frau schuf er nov 13 2022

*darum ist er heilig der wahre johannes paul ii er pdf johann* - Jun 30 2022

web jul 6 2023 darum ist er heilig der wahre johannes paul ii er pdf right here we have countless ebook darum ist er heilig der wahre johannes paul ii er pdf and collections to check out we additionally give variant types and plus type of the books to browse the adequate book fiction history novel scientific research as with ease as various

*9783863570767 darum ist er heilig der wahre johannes paul ii* - Jan 06 2023

web darum ist er heilig der wahre johannes paul ii erzählt aus der sicht seines postulators im seligsprechungsprozess von oder slawomir beim zvb com isbn 10 3863570766 isbn 13 9783863570767 fe medienverlags gmbh 2014 hardcover

**darum ist er heilig der wahre johannes paul ii er renewalcc** - Feb 24 2022

web darum ist er heilig der wahre johannes paul ii er 5 5 für lehrer und kinder in bürger und landschulen von h g zerrennersec hzig upanishad s des vedad martin luthers werkelegend e der heiligen im vereine mit anderen herausgegebe n von johannes laicus fortgesetzt von ida gräfin hahn hahn etcdarum ist er heiligdie fest briefe

**darum ist er heilig der wahre johannes paul ii er** - May 10 2023

web dass johannes paul ii ein enormes charisma hatte er damit auch in den politischen umwälzungsprozessen in osteuropa eine rolle spielte ist unbestritten nach innen hin aber ist die kirche von einer zerreißprobe bestimmt der band geht der frage nach ob johannes paul ii der kirche nicht schwere

**darum ist er heilig der wahre johannes paul ii erzählt aus der** - Oct 03 2022

web was den eidgenossen heilig ist kath net darum ist er heilig digna media wahre liebe die bibel ist das lebendige wort gottes das wahre israël gottes gesunde lehre christi darum ist er heilig der wahre johannes paul ii erzählt ihr sollt heilig sein denn ich bin heilig 2 mo 11 45 darum ist er heilig fe medienverlags gmbh die art von *darum ist er heilig der wahre johannes paul ii er download* - Jul 12 2023

web darum ist er heilig der wahre johannes paul ii er 3 3 1520 f verteidigungsrede auf dem reichstag zu worms defense speech at the diet of worms 1921 g vom ehelichen leben on married life 1522 i von der wiedertaufe an zwei pfarrherrn on rebaptism for two pastors 1528 j ein feste burg ist unser gott our god is a *darum ist er heilig der wahre johannes paul ii er 2023* - Apr 28 2022

web darum ist er heilig der wahre johannes paul ii er die bibel oder die ganze heilige schrift des alten und neuen testaments jul 14 2021 das wesen des christenthums jul 26 2022 der wahre römisch catholische saltzburger das ist catholische auflægung aller epistlen und evangelien deß gantzen jahrs worinn die wahre catholische sowohl *darum ist er heilig der wahre johannes paul ii er pdf* - Nov 04 2022

web darum ist er heilig der wahre johannes paul ii er as one of the most keen sellers here will completely be along with the best options to review tot und heilig hubertus lutterbach 2008 *die heiligsprechung von johannes paul ii gibt es wunder* - Feb 07 2023

web apr 20 2014 allein aus polen sollen sich millionen pilger aufgemacht haben um am kommenden sonntag der heiligsprechung ihres papstes karol wojtyla alias johannes paul ii beizuwohnen auch der zweite *darum wurde johannes paul ii heilig gesprochen web de* - Aug 13 2023

web das presseamt des vatikans gibt die zahl der heilig und seligsprechungen unter dem polnischen kirchenoberhaupt johannes paul ii mit 1 820 an damit hat der pole mehr menschen heilig gesprochen

**28 juli 1999 johannes paul ii vatican** - Mar 08 2023

web jul 28 1999 johannes paul ii generalaudienz mittwoch 28 juli 1999 liebe schwestern und brüder 1 gott ist ein unendlich guter und barmherziger vater aber der mensch berufen ihm in freiheit zu antworten kann sich leider dafür entscheiden dessen liebe und vergebung zurückzuweisen er entzieht sich so für immer der freudvollen

**pdf darum ist er heilig der wahre johannes paul ii er** - Sep 14 2023

web darum ist er heilig der wahre johannes paul ii er was das wort heilig bedeutet sonntagsblatt 360 grad feb 27 2022 mit dem wort heilig wurde der lateinische begriff sanctus übersetzt der auf das verb sancire also begrenzen umschließen zurückgeht begrenzt war das fanum der heilige abgesonderte bezirk das pro

*darum ist er heilig der wahre johannes paul ii er pdf copy* - Sep 02 2022

web darum ist er heilig der wahre johannes paul ii er pdf pages 3 3 darum ist er heilig der wahre johannes paul ii er pdf

upload betty f murray 3 3 downloaded from support ortax org on september 3 2023 by betty f murray weisen aus dem 9 jahrhundert

darum ist er heilig der wahre johannes paul ii er 2023 - May 30 2022

web bericht über papst johannes paul ii wird zum politikum stern de kath net kat net alte messe auf dem altenteil ein jahr traditionis custodes katholisch de 22 oktober der heilige johannes paul ii opus dei papst franziskus deutet friedensmission in der ukraine an stern de zum tod von hans küng er war ein kritischer theologe

**darum ist er heilig der wahre johannes paul ii erzählt aus der** - Dec 05 2022

web erzabtei beuron wahre liebe die bibel ist das lebendige wort gottes darum ist er heilig der wahre johannes paul ii erzählt wer ist der allein wahre gott wachtturm online bibliothek harms vortrag klostertag heilige 12 6 kloster bursfelde verteidigung der wahren kath kirche zeugen der wahrheit

*johannes paul ii ein heiliger unserer zeit papst* - Mar 28 2022

web zitate von johannes paul ii die mitte der nacht ist auch schon der anfang eines neuen tages beten wir daß überall auf der welt eine zivilisation der liebe entstehen kann der größte erfolg des teufels besteht darin den eindruck zu erwecken daß es ihn nicht gibt krieg ist immer eine niederlage der menschheit

**free pdf download darum ist er heilig der wahre johannes paul ii er** - Apr 09 2023

web darum ist er heilig der wahre johannes paul ii er studies in new testament language and text jun 09 2023 the life of william cowper jul 06 2020 ablution initiation and baptism methodological considerations nov 09 2020 the present volumes is the result of an international collaboration of researchers who are excellent within their

**darum ist er heilig katholisch informiert ch** - Jun 11 2023

web apr 10 2014 papst johannes paul ii weitere literatur darum ist er heilig der wahre johannes paul ii erzählt aus der sicht seines postulators im seligsprechungsprozess kurzbeschreibung er war der medienpräsenteste papst der kirchengeschichte weshalb viele menschen nur sein äußeres auftreten wahr nahmen johannes paul ii aber war

tantra song tantric painting from rajasthan hardcover - Nov 07 2022

web oct 31 2011 product details editorial reviews it could be a cult classic the debut edition of siglio press s tantra song one of the only books to survey the elusive tradition of abstract tantric painting from rajasthan india sold out in a swift six weeks

*tantra song tantric painting from rajasthan abebooks* - Feb 10 2023

web it could be a cult classic the debut edition of siglio press s tantra song one of the only books to survey the elusive tradition of abstract tantric painting from rajasthan india sold out in a swift six weeks

tantra song tantric painting from rajasthan hardcover - Jun 02 2022

web tantra song tantric painting from rajasthan jamme franck andré rinder lawrence jamme franck andré padoux andré

berkson bill tweed michael amazon sg books

**tantric painting from rajasthan abstract 17th century indian art** - Apr 12 2023

web dec 9 2011 now from the fine folks at siglio who brought us the lovely everything sings comes tantra song tantric painting from rajasthan a striking collection of rare abstract tantric paintings

**tantra song tantric painting from rajasthan cooper young** - May 13 2023

web tantra song is a singular and revelatory collection of rare tantric paintings made anonymously by adepts in rajasthan and used to awaken heightened states of consciousness

**tantra song tantric painting from rajasthan librarything** - Feb 27 2022

web a revelatory volume on this occluded genre of indian art tantra song is a convergence of east and west the spiritual and the aesthetic the ancient and the modern franck andr jamme is the author of more than a dozen volumes of poetry

**an egoless practice tantric art the paris review** - Dec 28 2021

web apr 3 2012 it could be a cult classic the debut edition of siglio press s tantra song one of the only books to survey the elusive tradition of abstract tantric painting from rajasthan india sold out in a swift six weeks rendered by hand on found pieces of paper and used primarily for meditation the works depict deities as geometric

*tantra song tantric painting from rajasthan goodreads* - Aug 16 2023

web oct 31 2011 104 ratings8 reviews a revelatory volume on an occluded genre of indian art tantra song is a convergence of east and west the spiritual and the aesthetic the ancient and the modern this collection of rare abstract tantra drawings was conceived when the french poet franck andré jamme stumbled on a small catalogue of tantric art

tantra song rare 17th century indian paintings that look like - Oct 18 2023

web dec 6 2011 now from the fine folks at siglio who brought us the lovely everything sings comes tantra song tantric painting from rajasthan a striking collection of rare abstract tantric paintings based on 17th century illustrations from indian religious texts that bridge eastern spirituality with western 20th century art in their haunting reminiscenc

tantric paintings some observations hyperallergic - May 01 2022

web apr 16 2012 these paintings are pretty amazing and i was impressed when i saw these modern art looking works created obscurely by unknown tantric ritual practitioners from rajasthan the north western

**tantra song tantric painting from rajasthan abebooks** - Jan 29 2022

web jul 20 2017 free shipping isbn 9780979956270 hardcover siglio 2011 condition good book is in used good condition pages and cover are clean and intact used items may not include supplementary materials such as cds or access codes may show signs of minor shelf wear and contain limited notes and highlighting tantra song tantric

tantra song tantric painting from rajasthan hardcover - Jan 09 2023

web tantra song tantric painting from rajasthan jamme franck andré padoux andré berkson bill jamme franck andré rinder lawrence 9780979956270 books amazon ca

*tantra song tantric painting from rajasthan a rt r esources* - Jul 15 2023

web tantra song is a collection of rare tantric paintings made anonymously by adepts in rajasthan and used to awaken heightened states of consciousness the paintings magnetic vibratory beauty as well as their deep affinity with 20th century abstract art inspires acute attention and contemplation

*tantra song tantric painting from rajasthan bookshop* - Mar 11 2023

web description a revelatory volume on an occluded genre of indian art tantra song is a convergence of east and west the spiritual and the aesthetic the ancient and the modern this collection of rare abstract tantra drawings was conceived when the french poet franck andré jamme stumbled on a small catalogue of tantric art at a paris

**tantra song tantric painting from rajasthan siglio press** - Jul 03 2022

web 0 00 4 18 tantra song tantric painting from rajasthan siglio press portrait of a book 57 subscribers subscribe 1 7k views 2 years ago welcome to the second episode of portrait of a book

journal 03 tantric painting from rajasthan spirit of the earth - Dec 08 2022

web feb 14 2020 tantra song tantric painting from rajasthan is a striking collection of rare abstract tantric paintings based on 17th century illustrations from indian religious texts that bridge eastern spirituality with western 20th century art in their haunting reminiscence of the likes of paul klee agnes martin and daniel buren

tantra song tantric painting from rajasthan hardback - Aug 04 2022

web oct 31 2011 it could be a cult classic the debut edition of siglio press s tantra song one of the only books to survey the elusive tradition of abstract tantric painting from rajasthan india sold out in a swift six weeks

tantra song tantric painting from rajasthan 9780979956270 - Nov 26 2021

web book description hardcover condition new hardcover a revelatory volume on an occluded genre of indian art tantra song is a convergence of east and west the spiritual and the aesthetic the ancient and the modern this collection of rare abstract tantra drawings was conceived when the french poet franck andre jamme stumbled on a

**tantra song artbook d a p** - Oct 06 2022

web oct 31 2011 tantra song tantric painting from rajasthan edited by franck andré jamme introduction by lawrence rinder text by franck andré jamme andré padoux interview by bill berkson translation by michael tweed

**tantra song tantric painting from rajasthan amazon com** - Sep 17 2023

web oct 31 2011 john dorfman art antiques it could be a cult classic the debut edition of siglio press s tantra song one of the only books to survey the elusive tradition of abstract tantric painting from rajasthan india sold out in a swift six weeks

*tantra song tantric painting from rajasthan hardcover* - Mar 31 2022

web buy tantra song tantric painting from rajasthan illustrated by jamme franck andré jamme franck andré padoux andré berkson bill rinder lawrence tweed michael isbn 9780979956270 from amazon s book store everyday low prices and free delivery on eligible orders

**tantra song tantric painting from rajasthan google books** - Jun 14 2023

web tantra song tantric painting from rajasthan franck andré jamme andré padoux siglio 2011 art tantric buddhist 111 pages a revelatory volume on an occluded genre of indian art

*tantra song siglio* - Sep 05 2022

web hardcover 8 11 in 112 pages full color 978 0 9799562 7 0 published in 2011 fifth printing pdf press release tantra song is a singular and revelatory collection of rare tantric paintings made anonymously by adepts in rajasthan and used to awaken heightened states of consciousness