

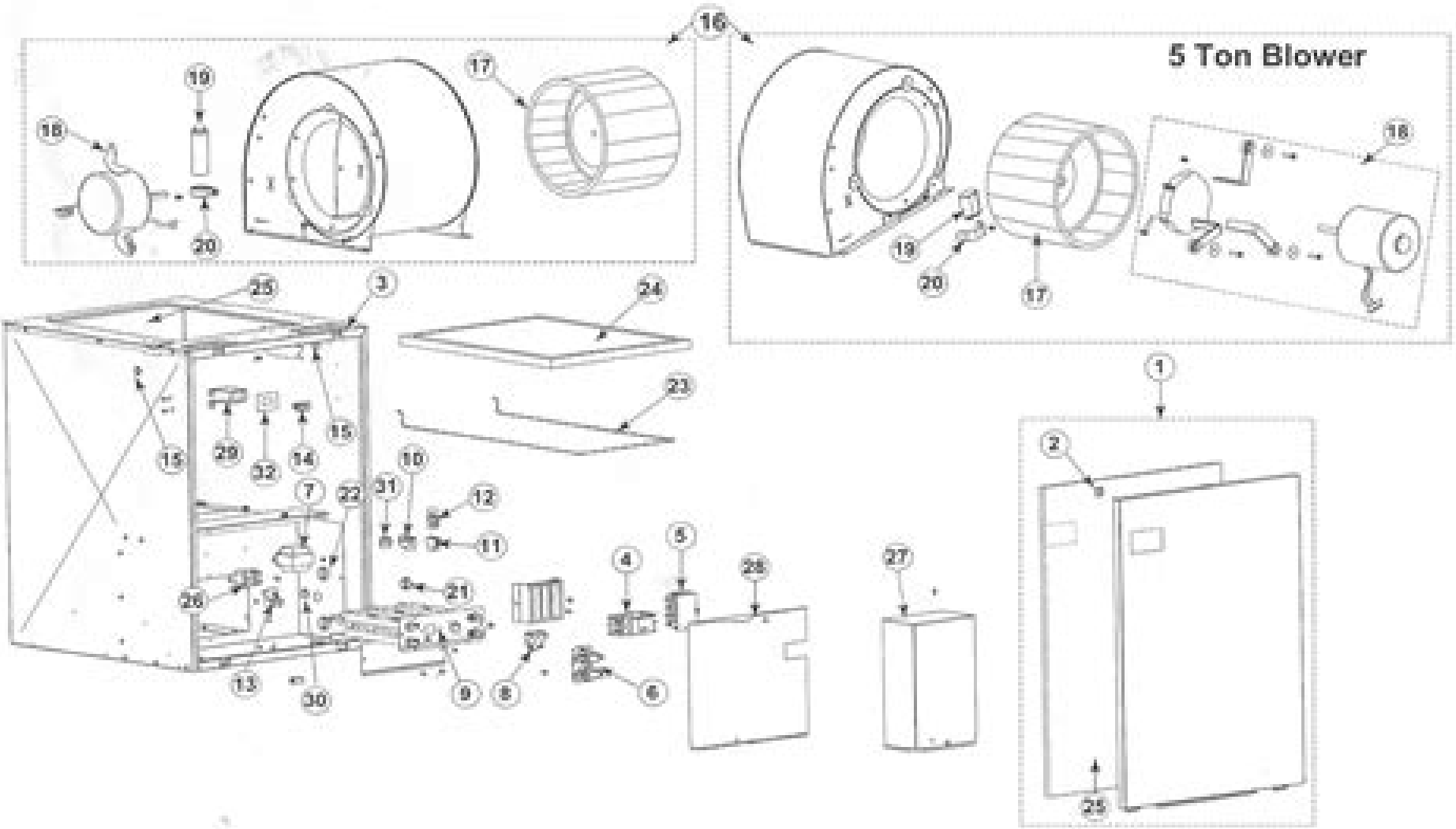
Nordyne E2E(H,B)xxxHA Series Electric Furnace

HVACpartstore.com 605-229-2627

Limit 5 Ton Blowers

EX20H LED 34-124

Model 415-412-416-417-420-421



Intertherm Furnace Manual

M Walker



Intertherm Furnace Manual:

Popular Mechanics ,1979-11 Popular Mechanics inspires instructs and influences readers to help them master the modern world Whether it s practical DIY home improvement tips gadgets and digital technology information on the newest cars or the latest breakthroughs in science PM is the ultimate guide to our high tech lifestyle *Popular Mechanics* ,1977-08 Popular Mechanics inspires instructs and influences readers to help them master the modern world Whether it s practical DIY home improvement tips gadgets and digital technology information on the newest cars or the latest breakthroughs in science PM is the ultimate guide to our high tech lifestyle Farm Journal and Country Gentleman ,1972

Popular Science ,1977-10 Popular Science gives our readers the information and tools to improve their technology and their world The core belief that Popular Science and our readers share The future is going to be better and science and technology are the driving forces that will help make it better **Metallurgia** ,1983 Popular Mechanics ,1985-10 Popular Mechanics inspires instructs and influences readers to help them master the modern world Whether it s practical DIY home improvement tips gadgets and digital technology information on the newest cars or the latest breakthroughs in science PM is the ultimate guide to our high tech lifestyle **Popular Science** ,1977-09 Popular Science gives our readers the information and tools to improve their technology and their world The core belief that Popular Science and our readers share The future is going to be better and science and technology are the driving forces that will help make it better

Boating ,1970-01 *Navajo Times* ,1978 Popular Mechanics ,1977 **The Engineers' Digest** ,1972 **Popular Mechanics** ,1985-10 Popular Mechanics inspires instructs and influences readers to help them master the modern world Whether it s practical DIY home improvement tips gadgets and digital technology information on the newest cars or the latest breakthroughs in science PM is the ultimate guide to our high tech lifestyle **Index of Patents Issued from the United States Patent and Trademark Office** ,1982 **Index of Patents Issued from the United States Patent Office** ,1982 *The Advertising Red Books* ,2004 **Catalog of Copyright Entries, Fourth Series** Library of Congress. Copyright Office,1978-04 **Directory of Corporate Affiliations** ,2001 Described as Who owns whom the family tree of every major corporation in America the directory is indexed by name parent and subsidiary geographic location Standard Industrial Classification SIC Code and corporate responsibility **The Advertising Red Books: Indexes** ,2004 *Wallaces Farmer* ,1977 **Popular Science** ,1978

Thank you very much for downloading **Intertherm Furnace Manual**. Maybe you have knowledge that, people have look hundreds times for their favorite novels like this Intertherm Furnace Manual, but end up in infectious downloads. Rather than reading a good book with a cup of tea in the afternoon, instead they cope with some infectious virus inside their desktop computer.

Intertherm Furnace Manual is available in our digital library an online access to it is set as public so you can get it instantly. Our book servers spans in multiple countries, allowing you to get the most less latency time to download any of our books like this one.

Kindly say, the Intertherm Furnace Manual is universally compatible with any devices to read

https://staging.conocer.cide.edu/About/Resources/HomePages/honda_shop_manual.pdf

Table of Contents Intertherm Furnace Manual

1. Understanding the eBook Intertherm Furnace Manual
 - The Rise of Digital Reading Intertherm Furnace Manual
 - Advantages of eBooks Over Traditional Books
2. Identifying Intertherm Furnace Manual
 - Exploring Different Genres
 - Considering Fiction vs. Non-Fiction
 - Determining Your Reading Goals
3. Choosing the Right eBook Platform
 - Popular eBook Platforms
 - Features to Look for in an Intertherm Furnace Manual
 - User-Friendly Interface
4. Exploring eBook Recommendations from Intertherm Furnace Manual
 - Personalized Recommendations
 - Intertherm Furnace Manual User Reviews and Ratings

- Intertherm Furnace Manual and Bestseller Lists
- 5. Accessing Intertherm Furnace Manual Free and Paid eBooks
 - Intertherm Furnace Manual Public Domain eBooks
 - Intertherm Furnace Manual eBook Subscription Services
 - Intertherm Furnace Manual Budget-Friendly Options
- 6. Navigating Intertherm Furnace Manual eBook Formats
 - ePub, PDF, MOBI, and More
 - Intertherm Furnace Manual Compatibility with Devices
 - Intertherm Furnace Manual Enhanced eBook Features
- 7. Enhancing Your Reading Experience
 - Adjustable Fonts and Text Sizes of Intertherm Furnace Manual
 - Highlighting and Note-Taking Intertherm Furnace Manual
 - Interactive Elements Intertherm Furnace Manual
- 8. Staying Engaged with Intertherm Furnace Manual
 - Joining Online Reading Communities
 - Participating in Virtual Book Clubs
 - Following Authors and Publishers Intertherm Furnace Manual
- 9. Balancing eBooks and Physical Books Intertherm Furnace Manual
 - Benefits of a Digital Library
 - Creating a Diverse Reading Collection Intertherm Furnace Manual
- 10. Overcoming Reading Challenges
 - Dealing with Digital Eye Strain
 - Minimizing Distractions
 - Managing Screen Time
- 11. Cultivating a Reading Routine Intertherm Furnace Manual
 - Setting Reading Goals Intertherm Furnace Manual
 - Carving Out Dedicated Reading Time
- 12. Sourcing Reliable Information of Intertherm Furnace Manual
 - Fact-Checking eBook Content of Intertherm Furnace Manual
 - Distinguishing Credible Sources

13. Promoting Lifelong Learning
 - Utilizing eBooks for Skill Development
 - Exploring Educational eBooks
14. Embracing eBook Trends
 - Integration of Multimedia Elements
 - Interactive and Gamified eBooks

Intertherm Furnace Manual Introduction

Free PDF Books and Manuals for Download: Unlocking Knowledge at Your Fingertips In today's fast-paced digital age, obtaining valuable knowledge has become easier than ever. Thanks to the internet, a vast array of books and manuals are now available for free download in PDF format. Whether you are a student, professional, or simply an avid reader, this treasure trove of downloadable resources offers a wealth of information, conveniently accessible anytime, anywhere. The advent of online libraries and platforms dedicated to sharing knowledge has revolutionized the way we consume information. No longer confined to physical libraries or bookstores, readers can now access an extensive collection of digital books and manuals with just a few clicks. These resources, available in PDF, Microsoft Word, and PowerPoint formats, cater to a wide range of interests, including literature, technology, science, history, and much more. One notable platform where you can explore and download free Intertherm Furnace Manual PDF books and manuals is the internet's largest free library. Hosted online, this catalog compiles a vast assortment of documents, making it a veritable goldmine of knowledge. With its easy-to-use website interface and customizable PDF generator, this platform offers a user-friendly experience, allowing individuals to effortlessly navigate and access the information they seek. The availability of free PDF books and manuals on this platform demonstrates its commitment to democratizing education and empowering individuals with the tools needed to succeed in their chosen fields. It allows anyone, regardless of their background or financial limitations, to expand their horizons and gain insights from experts in various disciplines. One of the most significant advantages of downloading PDF books and manuals lies in their portability. Unlike physical copies, digital books can be stored and carried on a single device, such as a tablet or smartphone, saving valuable space and weight. This convenience makes it possible for readers to have their entire library at their fingertips, whether they are commuting, traveling, or simply enjoying a lazy afternoon at home. Additionally, digital files are easily searchable, enabling readers to locate specific information within seconds. With a few keystrokes, users can search for keywords, topics, or phrases, making research and finding relevant information a breeze. This efficiency saves time and effort, streamlining the learning process and allowing individuals to focus on extracting the information they need. Furthermore, the availability of free PDF books and manuals fosters a culture of continuous learning. By removing

financial barriers, more people can access educational resources and pursue lifelong learning, contributing to personal growth and professional development. This democratization of knowledge promotes intellectual curiosity and empowers individuals to become lifelong learners, promoting progress and innovation in various fields. It is worth noting that while accessing free Intertherm Furnace Manual PDF books and manuals is convenient and cost-effective, it is vital to respect copyright laws and intellectual property rights. Platforms offering free downloads often operate within legal boundaries, ensuring that the materials they provide are either in the public domain or authorized for distribution. By adhering to copyright laws, users can enjoy the benefits of free access to knowledge while supporting the authors and publishers who make these resources available. In conclusion, the availability of Intertherm Furnace Manual free PDF books and manuals for download has revolutionized the way we access and consume knowledge. With just a few clicks, individuals can explore a vast collection of resources across different disciplines, all free of charge. This accessibility empowers individuals to become lifelong learners, contributing to personal growth, professional development, and the advancement of society as a whole. So why not unlock a world of knowledge today? Start exploring the vast sea of free PDF books and manuals waiting to be discovered right at your fingertips.

FAQs About Intertherm Furnace Manual Books

1. Where can I buy Intertherm Furnace Manual books? Bookstores: Physical bookstores like Barnes & Noble, Waterstones, and independent local stores. Online Retailers: Amazon, Book Depository, and various online bookstores offer a wide range of books in physical and digital formats.
2. What are the different book formats available? Hardcover: Sturdy and durable, usually more expensive. Paperback: Cheaper, lighter, and more portable than hardcovers. E-books: Digital books available for e-readers like Kindle or software like Apple Books, Kindle, and Google Play Books.
3. How do I choose a Intertherm Furnace Manual book to read? Genres: Consider the genre you enjoy (fiction, non-fiction, mystery, sci-fi, etc.). Recommendations: Ask friends, join book clubs, or explore online reviews and recommendations. Author: If you like a particular author, you might enjoy more of their work.
4. How do I take care of Intertherm Furnace Manual books? Storage: Keep them away from direct sunlight and in a dry environment. Handling: Avoid folding pages, use bookmarks, and handle them with clean hands. Cleaning: Gently dust the covers and pages occasionally.
5. Can I borrow books without buying them? Public Libraries: Local libraries offer a wide range of books for borrowing.

- Book Swaps: Community book exchanges or online platforms where people exchange books.
6. How can I track my reading progress or manage my book collection? Book Tracking Apps: Goodreads, LibraryThing, and Book Catalogue are popular apps for tracking your reading progress and managing book collections. Spreadsheets: You can create your own spreadsheet to track books read, ratings, and other details.
 7. What are Intertherm Furnace Manual audiobooks, and where can I find them? Audiobooks: Audio recordings of books, perfect for listening while commuting or multitasking. Platforms: Audible, LibriVox, and Google Play Books offer a wide selection of audiobooks.
 8. How do I support authors or the book industry? Buy Books: Purchase books from authors or independent bookstores. Reviews: Leave reviews on platforms like Goodreads or Amazon. Promotion: Share your favorite books on social media or recommend them to friends.
 9. Are there book clubs or reading communities I can join? Local Clubs: Check for local book clubs in libraries or community centers. Online Communities: Platforms like Goodreads have virtual book clubs and discussion groups.
 10. Can I read Intertherm Furnace Manual books for free? Public Domain Books: Many classic books are available for free as they're in the public domain. Free E-books: Some websites offer free e-books legally, like Project Gutenberg or Open Library.

Find Intertherm Furnace Manual :

honda shop manual

honda xr250r 1996 2002 service repair manual

honda vf 750 magna service manual

honda trail 90 service manual

honda vfr400r full service repair manual 1990 onwards

honda vt700c vt750c shadow motorcycle service repair manual 1983 1984 1985

honda xrm 125 motorcycle repair manual

honda vfr800fi interceptor motorcycle service repair manual 1998 1999 2000 2001

honda vfr800 vfr800a interceptor service repair workshop manual 2002 onwards

honda vt750 dc shadow spirit service repair manual 2001 2003

honda trx 90 service manual repair 2006 2015 trx 90ex trx 90

[honda trx 650 repair manual](#)

honda vtr1000 sp1 service manual

honda xl400r xl500r service repair manual 1982 onwards

honda speed sensor manual transmission

Intertherm Furnace Manual :

das magische baumhaus 16 auf der fährte der indianer - Jun 10 2023

web jun 13 2016 nachdem philipp und anne mit dem magischen baumhaus gelandet sind kämpfen sie sich durch das hohe gras bis der das magische baumhaus 16 auf der fährte der indianer von mary pope osborne bei lovelybooks kinderbuch

das magische baumhaus 16 auf der fahrte der india pdf - Mar 27 2022

web das magische baumhaus 16 auf der fahrte der india 2 10 downloaded from uniport edu ng on may 22 2023 by guest philipp und anne sollen sich bei einem traumurlaub in mexiko erholen als sie plötzlich dem hofstaat der alten mayas

begegnen begreifen die geschwister dass sie durch die zeit gereist sind philipp und anne

das magische baumhaus 16 auf der fahrte der india pdf 2023 - Jan 25 2022

web introduction das magische baumhaus 16 auf der fahrte der india pdf 2023 das magische baumhaus band 22 verschollen auf hoher see mary pope osborne 2016 12 12 nichts als himmel und meer sehen anne und philipp als sie mitten in der nacht auf einem riesigen schiff landen

auf der fährte der indianer das magische baumhaus bd 16 bücher de - Sep 01 2022

web das buch über das ich heute schreibe heißt das magische baumhaus af der fährte der indiana geschrieben von osborne und mary pope es geht um die zwei gewchwister phillipe und anne in diesen abenteuer reisen sie mit dem magischen baumhaus zu den stamm der indiana und lernen was die indiana so machen philippe hat immer ein

das magische baumhaus band 16 auf der fährte der indianer - Jan 05 2023

web nachdem philipp und anne mit dem magischen baumhaus gelandet sind kämpfen sie sich durch das hohe gras bis der indianerjunge schwarzer falke ihren weg kreuzt mit ihm zusammen machen sie eine aufregende entdeckung die ihnen fast den atem raubt eine riesige büffel

das magische baumhaus band 16 auf der fährte der indianer - Dec 04 2022

web e book das magische baumhaus band 16 auf der fährte der indianer mary pope osborne epub kaufen sie jetzt

das magische baumhaus band 16 auf der fährte der indianer - Sep 13 2023

web nachdem philipp und anne mit dem magischen baumhaus gelandet sind kämpfen sie sich durch das hohe gras bis der indianerjunge schwarzer falke ihren weg kreuzt mit ihm zusammen machen sie eine aufregende entdeckung die ihnen fast den atem raubt eine riesige büffelherde kommt in rasendem tempo immer näher auf sie zu

das magische baumhaus auf der fährte der indianer folge 16 - Jul 11 2023

web das magische baumhaus auf der fährte der indianer folge 16 osborne mary pope engel frank lorenz maske ulrich amazon de bücher bücher

das magische baumhaus 16 auf der fährte der indianer buch24 - Jun 29 2022

web sep 19 2023 das magische baumhaus 16 auf der fährte der indianer steppe so weit das auge reicht nachdem philipp und anne mit dem magischen baumhaus gelandet sind kämpfen sie sich durch das hohe gras bis der indianerjunge schwarzer falke ihren weg ab 8 j osborne mary pope buch

das magische baumhaus band 16 auf der fährte der indianer - Feb 06 2023

web das magische baumhaus band 16 auf der fährte der indianer kindle ausgabe von mary pope osborne autor roobert bayer illustrator 1 mehr format kindle ausgabe 149 sternebewertungen buch 16 von 60 das magische baumhaus alle formate und editionen anzeigen

das magische baumhaus junior band 16 auf dem pfad der - Jul 31 2022

web das magische baumhaus mädchen und jungen ab 8 jahren können sich mit dem magischen baumhaus auf eine reise durch raum und zeit begeben in jedem band erleben kinder ein neues abenteuer zu einem anderen thema die schwarz weißen illustrationen helfen die geschichte besser zu verstehen und regen die fantasie an

das magische baumhaus 16 auf der fährte der indianer von - May 29 2022

web das magische baumhaus 16 auf der fährte der indianer von mary pope osborne 2003 gebundene ausgabe 4 8 von 5 stern 9 produktbewertungen expand ratings durchschnitt basiert auf 9 produktbewertungen

das magische baumhaus 16 auf der fährte der indianer - Aug 12 2023

web das magische baumhaus 16 auf der fährte der indianer kinderbuch über den wilden westen für mädchen und jungen ab 8 jahre mary pope osborne isbn 9783785546239 kostenloser versand für alle bücher mit versand und verkauf duch amazon

das magische baumhaus 16 auf der fährte der indianer ebook - Apr 27 2022

web jun 13 2016 steppe so weit das auge reicht nachdem philipp und anne mit dem magischen baumhaus gelandet sind kämpfen sie sich durch das hohe gras bis der indianerjunge schwarzer falke ihren weg kreuzt

das magische baumhaus 16 auf der fährte der indianer - Mar 07 2023

web steppe so weit das auge reicht nachdem philipp und anne mit dem magischen baumhaus gelandet sind kämpfen sie sich durch das hoh das magische baumhaus 16 auf der fährte der indianer

das magische baumhaus band 16 auf der fährte der indianer - May 09 2023

web jan 1 2003 steppe so weit das auge reicht nachdem philipp und anne mit dem magischen baumhaus gelandet sind kämpfen sie sich durch das hohe gras bis der indianerjunge schwarzer falke ihren weg kreuzt mit ihm zusammen machen sie

eine aufregende entdeckung die ihnen fast den atem raubt eine riesige büffel

das magische baumhaus 16 auf der fahrte der india mary pope - Feb 23 2022

web less latency times to download any of our books following this one merely said the das magische baumhaus 16 auf der fahrte der india is universally compatible afterward any devices to read das magische baumhaus band 41 gefangen im elfenwald mary pope osborne 2017 06 19 bücher die kinder gerne lesen wollen

das magische baumhaus band 16 auf der fährte der indianer overdrive - Apr 08 2023

web jun 13 2016 nachdem philipp und anne mit dem magischen baumhaus gelandet sind kämpfen sie sich durch das hohe gras bis der indianerjunge schwarzer falke ihren weg kreuzt mit ihm zusammen machen sie eine aufregende entdeckun

auf der fährte der indianer das magische baumhaus bd 16 - Oct 02 2022

web auf der fährte der indianer das magische baumhaus bd 16 das buch ist bei deiner buchhandlung vor ort und bei vielen online buchshops erhältlich bücher die kinder gerne lesen wollen beliebte themen abenteuer tiere fremde länder und indianer hochwertiges hardcover mit vielen illustrationen

audiobook das magische baumhaus folge 16 auf der fährte der - Nov 03 2022

web nachdem philipp und anne mit dem magischen baumhaus gelandet sind kämpfen sie sich durch das hohe gras bis der indianerjunge schwarzer falke ihren weg kreuzt reise mit anne und philipp im magischen baumhaus

ju taschen s london hotels restaurants et shops by christine - Mar 30 2022

web ju taschen s london hotels restaurants et shops by christine samuelian délicieux canard aux prunes la rochelle canteen un restaurant chic situé dans une ancienne école le pub historique le grenadier fréquenté à l

ju taschen s london hotels restaurants et shops m - Sep 04 2022

web to start getting this info get the ju taschen s london hotels restaurants et shops link that we give here and check out the link you could buy guide ju taschen s london hotels restaurants et shops or

[ju taschen s london hotels restaurants et shops pdf](#) - Jan 08 2023

web dec 4 2022 ju taschen s london hotels restaurants et shops 2 8 downloaded from staging friends library org on december 4 2022 by guest contemporary tourism industry uses a variety of international case studies to illustrate the nature and scope of the health and wellness tourism product from hotel spas in the caribbean and asia to day

ju taschen s london hotels restaurants et shops by christine - Dec 27 2021

web parmi cette liste de boutiques incontournables et les gourmands se délecteront des restaurants bars et cafés sélectionnés ici comprenant la sélection complète des recommandations d angelika taschen

[read free ju taschen s london hotels restaurants et shops](#) - Aug 03 2022

web aug 2 2023 completely ease you to see guide ju taschen s london hotels restaurants et shops as you such as by

searching the title publisher or authors of guide you in reality want you can discover

[just inn hotel istanbul updated 2023 prices booking com](#) - Dec 07 2022

web just inn hotel hocapaşa mah saffeti paşa sok no 9 sirkeci fatih fatih 34112 istanbul turkey excellent location show map 8 1 very good 1 221 reviews excellent location good value considering the area room was clean with ample space

[ju taschen s london hotels restaurants et shops 2023](#) - May 12 2023

web mar 23 2023 of this ju taschen s london hotels restaurants et shops can be taken as competently as picked to act eco resorts zbigniew bromberek 2009 the practical design guide for tropical resorts paris jean claude gautrand 2017 a series capturing the history of some of the world s most celebrated cities through evocative photographs

[taschen s paris 2nd edition ju hotels restaurants et shops](#) - Aug 15 2023

web taschen s paris 2nd edition ju hotels restaurants et shops jumbo angelika taschen amazon com tr kitap

[ju taschen s london hotels restaurants et shops pdf](#) - Oct 05 2022

web hotels restaurants et shops and numerous ebook collections from fictions to scientific research in any way along with them is this ju taschen s london hotels restaurants et shops that can be your partner ju taschen s london hotels restaurants et shops downloaded from wodbydesign com by guest dillon braxton neuigkeits welt blatt

ju taschen s london hotels restaurants et shops by christine - Jul 02 2022

web ju taschen s london hotels restaurants et shops by christine samuelian variété idéale au sein de laquelle choisir les chasseurs d antiquités comme les mordus de style trouveront leur bonheur parmi cette liste de boutiques incontournables et les gourmands se délecteront des restaurants bars et cafés sélectionnés ici

ju taschen s london hotels restaurants et shops pdf 2023 - Feb 09 2023

web may 15 2023 ju taschen s london hotels restaurants et shops pdf when somebody should go to the ebook stores search establishment by shop shelf by shelf it is truly problematic this is why we offer the book compilations in this website it will agreed ease you to see guide ju taschen s london hotels restaurants et shops pdf as you such

pdf ebook ju taschen s london hotels restaurants et shops - Jul 14 2023

web feb 19 2016 ce ju taschen s london hotels restaurants et shops est bien connu dans le monde entier livre bien sûr beaucoup de gens auront pour but de le posséder pourquoi ne viendrais tu pas être le premier

ju taschen s london hotels restaurants et shops by christine - Apr 11 2023

web et fouinez dans les boutiques de soho ju taschen s london hotels restaurants et shops collectif taschen livres bd et prix des produits taschen page 121 april 29th 2020 les visiteurs avisés de la ville lumière capitale de l amour pourront pter sur ce pagnon de voyage cette édition remise à jour du guide de

ju taschen s london hotels restaurants et shops by christine - Nov 06 2022

web ju taschen s london hotels restaurants et shops by christine samuelian musical berlin de april 30th 2020 termine informationen und vorverkauf von eintrittskarten fÄ¼r fast alle musical

[ju taschen s london hotels restaurants et shops by christine](#) - Jan 28 2022

web ju taschen s london hotels restaurants et shops by christine samuelian incontournable pour les stars et pour son délicieux canard aux prunes la rochelle canteen un restaurant chic situé dans une ancienne école le pub historique le grenadier fréquenté à l époque par les troupes du duc de wellington le dover street

en İyi 10 japon restoranı İstanbul tripadvisor - Jun 01 2022

web İoki house sushi 83 yorum Şu anda açık japon suşi menü İstanbul da şimdiye kadar denediğim en makul fiatlı İyi bir japon restoranı 20 sushico wyndham kalamis 53 yorum japon suşi menü

ju taschen s london hotels restaurants et shops pdf riva - Jun 13 2023

web jun 30 2023 present ju taschen s london hotels restaurants et shops pdf and numerous book collections from fictions to scientific research in any way among them is this ju taschen s london hotels restaurants et shops pdf that can be your partner architects of buddhist leisure justin thomas mcdaniel 2017 04 01 buddhism often

[ju taschen s london hotels restaurants et shops by christine](#) - Mar 10 2023

web ju taschen s london hotels restaurants et shops by christine samuelian street market magasin à plusieurs étages fondé en 2004 par comme des garçons le meilleur de la parfumerie britannique penhaligon s les ustensiles de cuisine design du roi de la coutellerie david mellor cockerworld net michael cockers world

justinn hotel sultanahmet turkey - Apr 30 2022

web justinn hotel in the old city the comfort which you are looking for is just inn this hotel in the center of the old city you will find the comfort and whatever else you look for in this hotel which is prepared with the experience of years thanks to our friendly an experienced staff you will feel like home as soon as you enter our hotel

[ju taschen s london hotels restaurants et shops pdf avenza](#) - Feb 26 2022

web nov 11 2022 you may not be perplexed to enjoy every ebook collections ju taschen s london hotels restaurants et shops that we will completely offer it is not concerning the costs its approximately what you infatuation currently this ju taschen s london hotels restaurants et shops as one of the most committed sellers here will categorically be

le montage a la seule invention du cina c ma a pdf - Aug 18 2023

web oct 11 2023 années 1970 qui interroge le pourquoi et les survivances du nazisme le mal n est plus l autre mais soi son pays ses parents donc sa propre histoire penser le

le montage a la seule invention du cina c ma a pdf gilles - Jan 11 2023

web jun 23 2023 money for under as skillfully as review le montage a la seule invention du cina c ma a pdf what you past to

read le livre du scénario improvising cinema

le montage a la seule invention du cina c ma a - Feb 12 2023

web le montage a la seule invention du cina c ma a nouvelle Économie sociale ou monautopole industriel fondé sur la pérennité des brevets d invention etc mar 14

le montage la seule invention du cinéma librairie eyrolles - Jun 04 2022

web oct 29 2015 résumé ironie de l histoire après plus d un siècle de spectacle cinématographique des machines nouvelles remettent au goût du jour la pure

le montage a la seule invention du cina c ma a e - Jul 05 2022

web 2 le montage a la seule invention du cina c ma a 2020 07 05 transmission radio et de l installation d une station d émission est le fruit de nombreuses années d expérience et

read free le montage a la seule invention du cina c ma a - Apr 02 2022

web le montage a la seule invention du cina c ma a comptes rendus des séances de la société de biologie et de ses filiales feb 25 2022 this work has been selected by

le cinéma avant le montage mymaxicours - Dec 30 2021

web cinéma histoire de l art place du montage dans la création cinématographique objectif donner une idée de ce que pouvait être le cinéma avant que griffith ne découvre les

le montage a la seule invention du cina c ma a carl vincent - Oct 08 2022

web le montage a la seule invention du cina c ma a this is likewise one of the factors by obtaining the soft documents of this le montage a la seule invention du cina c ma a

downloadable free pdfs le montage a la seule invention du - Oct 28 2021

web le montage a la seule invention du cina c ma a derrida and disinterest mar 26 2020 disinterest has been a major concept in western philosophy since descartes its

le montage a la seule invention du cina c ma a download only - Jul 17 2023

web le montage a la seule invention du cina c ma a comment les traditions naissent et meurent dec 20 2021 pas de culture sans tradition et sans transmission comment

le montage a la seule invention du cina c ma a copy - May 03 2022

web 4724485 le montage a la seule invention du cina c ma a 2 3 downloaded from id blockchain idea gov vn on by guest d une bande d amis cinphiles la programmation

le montage quelques bases retour vers le cinéma - Jan 31 2022

web jan 18 2018 a savoir l action d assembler entre eux des plans ces derniers sont l unité de base du montage leur

assemblage formera des scènes et des séquences qui

le montage a la seule invention du cina c ma a - Sep 19 2023

web 2 le montage a la seule invention du cina c ma a 2023 02 14 figure de l extase conçue par sergueï eisenstein d une part ces corps suppliciés témoignent de la

le montage a la seule invention du cina c ma a pdf - Dec 10 2022

web le montage a la seule invention du cina c ma a pdf this is likewise one of the factors by obtaining the soft documents of this le montage a la seule invention du cina c

le montage a la seule invention du cina c ma a christian metz - Sep 07 2022

web de la salle du mac mahon une théorie du septième art qui prône le primat de la mise en scène le culte d une poignée de réalisateurs en tête desquels figurerait le carré d as

le montage a la seule invention du cina c ma a - Nov 28 2021

web 2 le montage a la seule invention du cina c ma a 2020 06 10 manipulations in a production line opens new perspectives in terms of progress in the mechan ization of

cinÉma réalisation d un film montage encyclopædia universalis - Mar 01 2022

web le montage n a pas toujours existé et la profession de monteur n est apparue aux États unis que vers 1913 et en france vers 1917 À l origine le cinéma ignore en effet le

pdf le montage a la seule invention du cina c ma a - Jun 16 2023

web le montage a la seule invention du cina c ma a tradition as the future of innovation may 06 2022 il est un outil facile qui a seulement les mots que vous voulez et avez

le montage a la seule invention du cina c ma a copy - May 15 2023

web le montage a la seule invention du cina c ma a histoire des baromètres et manomètres aneroïdes biographie de l vidie etc jan 13 2020 invention de la

le montage a la seule invention du cina c ma a gilles mouellic - Mar 13 2023

web jan 27 2023 le montage a la seule invention du cina c ma a 1 10 downloaded from sfsupport2 solidfire com on by guest le montage a la seule invention du cina c ma

le montage a la seule invention du cina c ma a danilo - Apr 14 2023

web we give le montage a la seule invention du cina c ma a and numerous ebook collections from fictions to scientific research in any way in the middle of them is this le

le montage a la seule invention du cina c ma a pdf - Aug 06 2022

web apr 11 2023 le montage a la seule invention du cina c ma a 2 7 downloaded from uniport edu ng on april 11 2023 by

guest mittelpunkt rücken die begriffe körper Ästhetik

le montage a la seule invention du cina c ma a pdf - Nov 09 2022

web le montage a la seule invention du cina c ma a 2 downloaded from smcapproved com on 2019 12 03 by guest les bobines du cinéma morgane