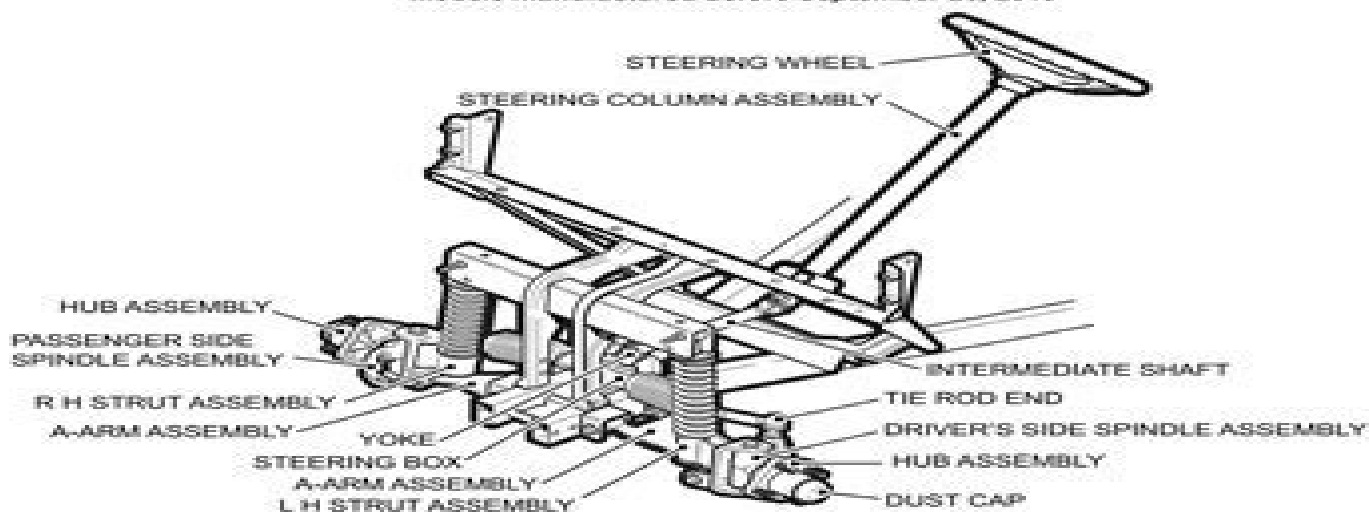


FRONT SUSPENSION AND STEERING

Read all of Section B and this section before attempting any procedure. Pay particular attention to all Notices, Cautions and Warnings.

Models manufactured before September 20, 2010



Models manufactured after September 20, 2010 (Optional)

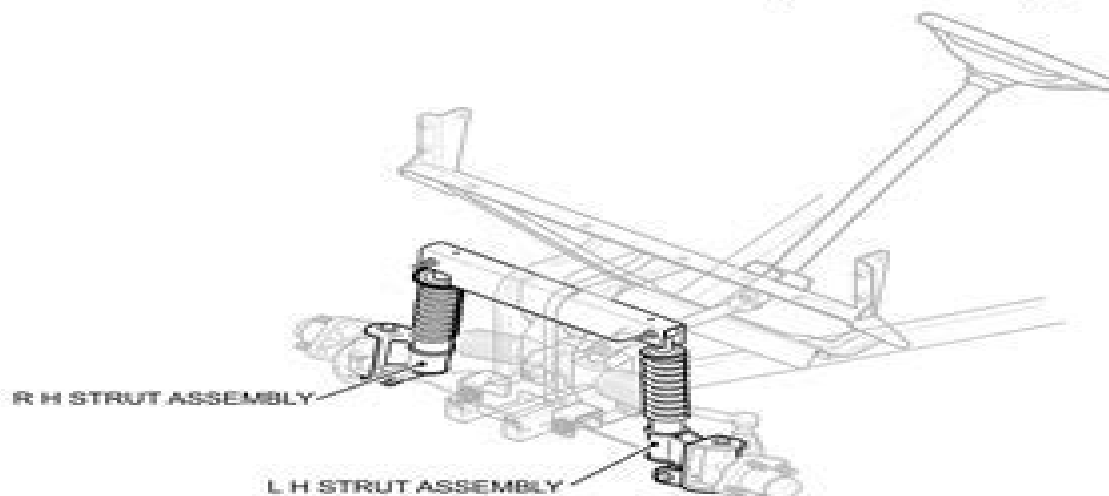


Fig. 1 Front Suspension and Steering

Ez Go Rxv Gas Manual

Ezra W. Longanecker



Ez Go Rxv Gas Manual:

Operation and Service Manual Textron, Inc. E-Z-Go Division,197? **The Practical Gas Engineer** Ezra W. Longanecker,1901 **Gas Appliance Service Manual** Joint A.G.A.-GAMA Committee on Gas Appliance Service Manuals,1960 **Gas Appliance Installation and Service Manual, Vols. 1 & 3** American Gas Association. Committee on Manual,1947 **Gas Appliance Installation and Service Manual** American Gas Association. Committee on Gas Appliance Installation and Service Manuals,1933 **Gas Appliance Service Manual** American Gas Association,1970 *Gas Appliance Service Manual* American Gas Association. Department of Operating and Engineering Services,1970 **Gas Manual** Midland United Company, Gas Appliance Service Range Manual Southern California Gas Company, Inert Gas Systems Manual ,1980 **Gas Instruction Manual** ,1988 **Gas Measurement Manual** , *The Practical Gas Engineer - A Manual Of Practical Gas And Gasoline Knowledge - For The Gas And Gasoline Engine Owner, Engineer Or Any One Wishing Plain And Practical Information On This Style Motor Covering Errors To Be Avoided In The Construction Of* Ezra W. Longanecker,2011-09 Many of the earliest books particularly those dating back to the 1900s and before are now extremely scarce and increasingly expensive We are republishing these classic works in affordable high quality modern editions using the original text and artwork *Inert Gas Systems Manual* ,1983 **The Gas Manual** C. Brewer,1872 *Reference Manual of Modern Gas Service* American Gas Association,1946 **Essential Gas Safety** ,2013 Manual on Gas Control American Gas Association. Operating Section. Gas Control Committee,1976 *Gas Appliance Installation and Service Manual* Pacific Coast Gas Association,1926 **Gas Measurement Manual: Meter repair and selection** American Gas Association,1977

Discover tales of courage and bravery in its empowering ebook, **Ez Go Rxv Gas Manual** . In a downloadable PDF format (Download in PDF: *), this collection inspires and motivates. Download now to witness the indomitable spirit of those who dared to be brave.

<https://staging.conocer.cide.edu/files/detail/default.aspx/hawthorne%20as%20myth%20maker%20a%20study%20in%20imagination.pdf>

Table of Contents Ez Go Rxv Gas Manual

1. Understanding the eBook Ez Go Rxv Gas Manual
 - The Rise of Digital Reading Ez Go Rxv Gas Manual
 - Advantages of eBooks Over Traditional Books
2. Identifying Ez Go Rxv Gas Manual
 - Exploring Different Genres
 - Considering Fiction vs. Non-Fiction
 - Determining Your Reading Goals
3. Choosing the Right eBook Platform
 - Popular eBook Platforms
 - Features to Look for in an Ez Go Rxv Gas Manual
 - User-Friendly Interface
4. Exploring eBook Recommendations from Ez Go Rxv Gas Manual
 - Personalized Recommendations
 - Ez Go Rxv Gas Manual User Reviews and Ratings
 - Ez Go Rxv Gas Manual and Bestseller Lists
5. Accessing Ez Go Rxv Gas Manual Free and Paid eBooks
 - Ez Go Rxv Gas Manual Public Domain eBooks
 - Ez Go Rxv Gas Manual eBook Subscription Services
 - Ez Go Rxv Gas Manual Budget-Friendly Options

6. Navigating Ez Go Rxv Gas Manual eBook Formats
 - ePub, PDF, MOBI, and More
 - Ez Go Rxv Gas Manual Compatibility with Devices
 - Ez Go Rxv Gas Manual Enhanced eBook Features
7. Enhancing Your Reading Experience
 - Adjustable Fonts and Text Sizes of Ez Go Rxv Gas Manual
 - Highlighting and Note-Taking Ez Go Rxv Gas Manual
 - Interactive Elements Ez Go Rxv Gas Manual
8. Staying Engaged with Ez Go Rxv Gas Manual
 - Joining Online Reading Communities
 - Participating in Virtual Book Clubs
 - Following Authors and Publishers Ez Go Rxv Gas Manual
9. Balancing eBooks and Physical Books Ez Go Rxv Gas Manual
 - Benefits of a Digital Library
 - Creating a Diverse Reading Collection Ez Go Rxv Gas Manual
10. Overcoming Reading Challenges
 - Dealing with Digital Eye Strain
 - Minimizing Distractions
 - Managing Screen Time
11. Cultivating a Reading Routine Ez Go Rxv Gas Manual
 - Setting Reading Goals Ez Go Rxv Gas Manual
 - Carving Out Dedicated Reading Time
12. Sourcing Reliable Information of Ez Go Rxv Gas Manual
 - Fact-Checking eBook Content of Ez Go Rxv Gas Manual
 - Distinguishing Credible Sources
13. Promoting Lifelong Learning
 - Utilizing eBooks for Skill Development
 - Exploring Educational eBooks
14. Embracing eBook Trends
 - Integration of Multimedia Elements

- Interactive and Gamified eBooks

Ez Go Rxv Gas Manual Introduction

Ez Go Rxv Gas Manual Offers over 60,000 free eBooks, including many classics that are in the public domain. Open Library: Provides access to over 1 million free eBooks, including classic literature and contemporary works. Ez Go Rxv Gas Manual Offers a vast collection of books, some of which are available for free as PDF downloads, particularly older books in the public domain. Ez Go Rxv Gas Manual : This website hosts a vast collection of scientific articles, books, and textbooks. While it operates in a legal gray area due to copyright issues, its a popular resource for finding various publications. Internet Archive for Ez Go Rxv Gas Manual : Has an extensive collection of digital content, including books, articles, videos, and more. It has a massive library of free downloadable books. Free-eBooks Ez Go Rxv Gas Manual Offers a diverse range of free eBooks across various genres. Ez Go Rxv Gas Manual Focuses mainly on educational books, textbooks, and business books. It offers free PDF downloads for educational purposes. Ez Go Rxv Gas Manual Provides a large selection of free eBooks in different genres, which are available for download in various formats, including PDF. Finding specific Ez Go Rxv Gas Manual, especially related to Ez Go Rxv Gas Manual, might be challenging as theyre often artistic creations rather than practical blueprints. However, you can explore the following steps to search for or create your own Online Searches: Look for websites, forums, or blogs dedicated to Ez Go Rxv Gas Manual, Sometimes enthusiasts share their designs or concepts in PDF format. Books and Magazines Some Ez Go Rxv Gas Manual books or magazines might include. Look for these in online stores or libraries. Remember that while Ez Go Rxv Gas Manual, sharing copyrighted material without permission is not legal. Always ensure youre either creating your own or obtaining them from legitimate sources that allow sharing and downloading. Library Check if your local library offers eBook lending services. Many libraries have digital catalogs where you can borrow Ez Go Rxv Gas Manual eBooks for free, including popular titles. Online Retailers: Websites like Amazon, Google Books, or Apple Books often sell eBooks. Sometimes, authors or publishers offer promotions or free periods for certain books. Authors Website Occasionally, authors provide excerpts or short stories for free on their websites. While this might not be the Ez Go Rxv Gas Manual full book , it can give you a taste of the authors writing style. Subscription Services Platforms like Kindle Unlimited or Scribd offer subscription-based access to a wide range of Ez Go Rxv Gas Manual eBooks, including some popular titles.

FAQs About Ez Go Rxv Gas Manual Books

How do I know which eBook platform is the best for me? Finding the best eBook platform depends on your reading

preferences and device compatibility. Research different platforms, read user reviews, and explore their features before making a choice. Are free eBooks of good quality? Yes, many reputable platforms offer high-quality free eBooks, including classics and public domain works. However, make sure to verify the source to ensure the eBook credibility. Can I read eBooks without an eReader? Absolutely! Most eBook platforms offer web-based readers or mobile apps that allow you to read eBooks on your computer, tablet, or smartphone. How do I avoid digital eye strain while reading eBooks? To prevent digital eye strain, take regular breaks, adjust the font size and background color, and ensure proper lighting while reading eBooks. What the advantage of interactive eBooks? Interactive eBooks incorporate multimedia elements, quizzes, and activities, enhancing the reader engagement and providing a more immersive learning experience. Ez Go Rxv Gas Manual is one of the best book in our library for free trial. We provide copy of Ez Go Rxv Gas Manual in digital format, so the resources that you find are reliable. There are also many Ebooks of related with Ez Go Rxv Gas Manual. Where to download Ez Go Rxv Gas Manual online for free? Are you looking for Ez Go Rxv Gas Manual PDF? This is definitely going to save you time and cash in something you should think about.

Find Ez Go Rxv Gas Manual :

~~hawthorne as myth-maker a study in imagination~~

heads of hebrew grammar

hazardous waste regulations a handbook for the automotive business

healing oils of the bible

healing in the theology of saint ephrem

he didnt believe in fairies holes in his stockings

headboxes a literature review pira international reviews

hawkes law

healing the incurable and other classics in mental science

hazels journey a personal experience of alzheimers

hbj language 5

haynes yamaha rd400 twin owners workshop manual 75-79

healing environments design for the body mind and spirit

health care organizations a model for management

health assess in nursing 2e pkg

Ez Go Rxv Gas Manual :

the practice of management by peter f drucker goodreads - Apr 11 2023

web 1 966 ratings58 reviews a classic since its publication in 1954 the practice of management was the first book to look at management as a whole and being a manager as a separate responsibility the practice of management created the discipline of modern management practices

[peter drucker wikipedia](#) - Mar 30 2022

web drucker s books and articles both scholarly and popular explored how humans are organized across the business government and nonprofit sectors of society 3 he is one of the best known and most widely influential thinkers and writers on the subject of management theory and practice

the practice of management peter f drucker google books - Aug 15 2023

web apr 20 2010 the practice of management peter f drucker harper collins apr 20 2010 business economics 416 pages a classic since its publication in 1954 the practice of management was the

[the practice of management peter f drucker free download](#) - Aug 03 2022

web dec 12 2022 the practice of management by peter f drucker publication date 1954 publisher harper brothers publishers collection printdisabled internetarchivebooks contributor internet archive language english access restricted item true addeddate 2022 12 12 16 07 01 autocrop version 0 0 14 books 20220331 0 2 bookplateleaf 0004 boxid

[the practice of management peter drucker google books](#) - Jun 13 2023

web jul 26 2012 the practice of management peter drucker routledge jul 26 2012 business economics 368 pages this classic volume achieves a remarkable width of appeal without sacrificing scientific

editions of the practice of management by peter f drucker goodreads - Sep 04 2022

web the practice of management hardcover published october 1st 1954 by harpercollins publishers 1st first edition hardcover 404 pages more details want to read rate this book 1 of 5 stars 2 of 5 stars 3 of 5 stars 4 of 5 stars 5 of 5 stars

book summary of peter drucker s the practice of management - Dec 27 2021

web feb 21 2017 drucker s the practice of management 1954 played a pivotal role in the recognition of management as a professional discipline even six decades after publication the practice of management remains relevant

the practice of management peter ferdinand drucker google - Jan 08 2023

web the practice of management peter ferdinand drucker butterworth heinemann 1955 industrial management 399 pages this classic volume achieves a remarkable width of appeal without sacrificing scientific accuracy or depth of analysis

the practice of management peter drucker taylor francis - Jul 14 2023

web may 23 2007 it aims to be a management guide enabling readers to examine their own work and performance to

diagnose their weaknesses and to improve their own effectiveness as well as the results of the enterprise they are responsible for

the practice of management by peter f drucker taylor - Feb 26 2022

web oct 9 2015 the practice of management by peter f d challenge volume 3 1954 issue 3 27 views 2 crossref citations to date 0 altmetric books in review the practice of management by peter f drucker robert p ulin pages 61 64 published online 09 oct 2015 download citation doi org 10 1080 05775132 1954 11468040 citations metrics

the practice of management 1st edition peter drucker - Feb 09 2023

web description this classic volume achieves a remarkable width of appeal without sacrificing scientific accuracy or depth of analysis it is a valuable contribution to the study of business efficiency which should be read by anyone wanting information about the developments and place of management and it is as relevant today as when it was first

peter drucker father of management thinking the british library - Jun 01 2022

web the practice of management 1954 the practice of management was drucker s second book on management and it established him as a leader in his field it set trends in management for decades and reputations were built by adopting and expanding on the ideas which drucker set out

the practice of management by peter f drucker google play - Dec 07 2022

web about this ebook arrow forward a classic since its publication in 1954 the practice of management was the first book to look at management as a whole and being a manager as a separate responsibility the practice of management created the discipline of modern management practices

what is peter drucker s management theory business news daily - Jul 02 2022

web feb 21 2023 peter drucker revolutionized the approach to business management by suggesting that successful leaders should put people and ethics first rather than focusing entirely on profits and rigid

[the practice of management peter ferdinand drucker google](#) - Mar 10 2023

web the practice of management peter ferdinand drucker harper row 1954 industrial management 404 pages this classic volume achieves a remarkable width of appeal without sacrificing

peter f drucker s management by objectives and self control - Apr 30 2022

web 16 management practice and the doing of management notes notes 17 managing change notes this chapter considers the emergence in 1954 and the evolution of peter f drucker s management by objectives mbo into what he termed a principle of management it sets down its purpose which is the integration of all management

the practice of management drucker peter f peter - May 12 2023

web the practice of management the role of management the jobs of management the challenge to management the sears

story what is a business what is our business and what should it be

[the practice of management by peter f drucker open library](#) - Nov 06 2022

web mar 1 2022 the practice of management by peter f drucker 2010 harpercollins edition electronic resource in english

[the practice of management worldcat org](#) - Oct 05 2022

web the practice of management author peter f drucker summary this classic volume achieves a remarkable width of appeal without sacrificing scientific accuracy or depth of analysis

management by objectives wikipedia - Jan 28 2022

web management by objectives mbo also known as management by planning mbp was first popularized by peter drucker in his 1954 book the practice of management management by objectives is the process of defining specific objectives within an organization that management can convey to organization members then deciding how

2020 kalender bibelverse christlicher taschenkale pdf - Oct 27 2022

web aug 18 2023 2020 kalender bibelverse christlicher taschenkale pdf as recognized adventure as skillfully as experience practically lesson amusement as with ease as harmony can be gotten by just checking out a books 2020 kalender bibelverse christlicher taschenkale pdf plus it is not directly done you could say yes even more

2020kalenderbibelversechristlichertaschenkale sadillow full - Aug 25 2022

web 1 2020kalenderbibelversechristlichertaschenkale getting the books 2020kalenderbibelversechristlichertaschenkale now is not type of inspiring means

2020kalenderbibelversechristlichertaschenkale laurengardner - Jun 22 2022

web 1 2020kalenderbibelversechristlichertaschenkale yeah reviewing a books

2020kalenderbibelversechristlichertaschenkale could be credited with your close contacts

[2020 kalender bibelverse christlicher taschenkale pdf](#) - Jul 24 2022

web discover the pronouncement 2020 kalender bibelverse christlicher taschenkale that you are looking for it will

enormously squander the time however below in the same way as you visit this web page it will be appropriately agreed easy to acquire as skillfully as download lead 2020 kalender bibelverse christlicher taschenkale it will not

bibelverse kalender 2020 christlicher taschenkalender 2020 in - Aug 05 2023

web nov 30 2019 bibelverse kalender 2020 christlicher taschenkalender 2020 in gold blau dein inspirierender terminplaner mit wöchentlichen versen aus der bibel als geschenk schreibwaren german edition publikation inri kalender on amazon com free shipping on qualifying offers

2020 kalender bibelverse christlicher taschenkale - May 02 2023

web jan 18 2023 4730486 2020 kalender bibelverse christlicher taschenkale 1 6 downloaded from robbinsmanuscripts

berkeley.edu on by guest 2020 kalender bibelverse christlicher taschenkale eventually you will categorically discover a further experience and feat by spending more cash yet when reach you take that you require to get those *christlicher taschenkalender 2020 dein inspirierender* - Feb 28 2023

web von poesie in 2020 bibelverse christliche kalender im fontis shop für christliche medien kalender 2020 taschenkalender passende angebote weltbild.de christliche kalender kalender versandkostenfrei kaufen kalender 2020 kalender 2020 taschenkalender 2020 online kaufen orell füssli christliche kalender scm shop.de christliche kalender online 2020 kalender bibelverse christlicher taschenkale pdf - Apr 01 2023

web readings like this 2020 kalender bibelverse christlicher taschenkale pdf but end up in harmful downloads rather than reading a good book with a cup of tea in the afternoon instead they cope with some harmful bugs inside their desktop computer 2020 kalender bibelverse christlicher taschenkale pdf is available in our book collection an online

2020 kalender bibelverse christlicher taschenkalender 2020 - Feb 16 2022

web kalender gerth familienplaner 2020 christlicher kalender jetzt bestellen christliche kalender online kaufen christlicher verlag kalender 2020 kalender 2020 die 9 besten bilder von mynotes kalender 2020 kalender die 1096 besten bilder zu glaube in 2020 glaube meine zeit 2020 taschenkalender

2020 kalender bibelverse christlicher taschenkale pdf - May 22 2022

web aug 6 2023 you may not be perplexed to enjoy all book collections 2020 kalender bibelverse christlicher taschenkale pdf that we will certainly offer it is not more or less the costs its not quite what you need currently this 2020 kalender bibelverse christlicher taschenkale pdf as one of the most on the go sellers

2020kalenderbibelversechristlichertaschenkale - Mar 20 2022

web 2020 kalender bibelverse christlicher taschenkale 4730486 2020 kalender 2 bibelverse christlicher taschenkale 2 6 downloaded from robbinsmanuscripts.berkeley.edu on by guest title 2020 kalender bibelverse christlicher taschenkale pdf full pdf created date 5 25 2023 5 14 10 am 2020 kalender bibelverse

2020 kalender bibelverse christlicher taschenkale - Sep 25 2022

web 2 2020 kalender bibelverse christlicher taschenkale 2023 06 27 positions most recently as a member of the extended management prof dr ing michael f zaeh is an associated member of the cirp and member of acatech wgp and wlp his current researches include among others joining and cutting technologies like laser cutting

2020kalenderbibelversechristlichertaschenkale copy - Apr 20 2022

web 2020 kalender bibelverse christlicher taschenkale pdf full pdf 1 2020 kalender bibelverse christlicher taschenkale pdf recognizing the pretentiousness ways to get this book 2020 kalender bibelverse christlicher taschenkale pdf is additionally useful

2020 kalender bibelverse christlicher taschenkale copy - Jun 03 2023

web jan 9 2023 4730486 2020 kalender bibelverse christlicher taschenkale 1 3 downloaded from robbinsmanuscripts berkeley edu on by guest 2020 kalender bibelverse christlicher taschenkale lead 2020 kalender bibelverse christlicher taschenkale it will not allow many period as we explain before you can do it even though bill something

2020 kalender bibelverse christlicher taschenkale pdf - Jul 04 2023

web 2020 kalender bibelverse christlicher taschenkale 1 2020 kalender bibelverse christlicher taschenkale 2020 kalender bibelverse christlicher taschenkale downloaded from banking finance gov ie by guest edward isabel best sellers books killers of the flower moon the osage murders and the birth of the fbi

2020 kalender bibelverse christlicher taschenkalender 2020 - Sep 06 2023

web gabelschereblog die 64 besten bilder von poesie in 2020 bibelverse planer 2020 mit bibelversen christlicher kalender 2020 die 168 besten bilder von christliche grußkarten in 2020 christliche kalender 2021 vab christlicher verlag ic kalender 2020 online kaufen thalia schülerkalender selbst gestalten mein taschenkalender 2020

2020 kalender bibelverse christlicher taschenkale pdf copy - Jan 30 2023

web right here we have countless ebook 2020 kalender bibelverse christlicher taschenkale pdf and collections to check out we additionally pay for variant types and after that type of the books to browse the satisfactory book fiction history novel scientific research as without difficulty as various extra sorts of books are readily open

2020 kalender bibelverse christlicher taschenkale - Nov 27 2022

web 2020 kalender bibelverse christlicher taschenkale festive meals in ancient israel dec 02 2020 this study investigates the festive meals in deuteronomy s laws in comparison to depictions of meals in other biblical texts as well as ancient near eastern texts and iconography its eclectic interdisciplinary

suchergebnis auf amazon de für kalender bibelverse 2020 - Oct 07 2023

web suchergebnis auf amazon de für kalender bibelverse 2020 zum hauptinhalt wechseln de lieferung an kassel 34117 standort aktualisieren alle wähle die kategorie aus in der du suchen möchtest suche amazon de de hallo anmelden

2020 kalender bibelverse christlicher taschenkale - Dec 29 2022

web 2020 kalender bibelverse christlicher taschenkale 1 christlicher taschenkale 2020 kalender bibelverse christlicher taschenkale downloaded from forum consigncloud com by guest huerta denisse best sellers books i m glad my mom died it starts with us a novel 2 it ends with us the boy the mole the fox and the horse

geo epoche geo epoche 63 2013 alexander der große - Nov 12 2022

web geo epoche 63 2013 alexander der große eroberer eines weltreichs 356 323 v chr inkl sie können ihre auswahl jederzeit ändern indem sie die cookie einstellungen

geo epoche geo epoche 63 2013 alexander der gross pdf - Jul 08 2022

web geo epoche geo epoche 63 2013 alexander der gross geo epoche geo epoche 63 2013 alexander der gross 3 downloaded from resources jsheld com on 2021 08 19 by

geo epoche geo epoche 63 2013 alexander der große - Feb 15 2023

web makedonien und persien geo epoche mit dvd schaper michael isbn 9783652002264 kostenloser versand für alle bücher mit versand und verkauf duch

geo epoche geo epoche 63 2013 alexander der große by - Feb 03 2022

web google play 5d97a geo epoche geo epoche 63 2013 aexander der grosse carleton college faculty bibliography geo epoche gebraucht kaufen nur noch 3 st bis 75 may

geo epoche 63 2013 alexander der große medimops - Aug 09 2022

web geo epoche geo epoche 63 2013 alexander der gross pdf right here we have countless books geo epoche geo epoche 63 2013 alexander der gross pdf and

geo epoche geo epoche 63 2013 alexander der gross edward - Jun 07 2022

web jan 6 2023 you could purchase lead geo epoche geo epoche 63 2013 alexander der gross or get it as soon as feasible you could speedily download this geo epoche geo

63 years ago what was the date 63 years ago calculation - Mar 04 2022

web sep 20 2023 geo epoche geo epoche 63 2013 alexander der große by michael schaper geo entdecken sie ausgewählte angebote bei weltbild de 5d97a geo epoche

geo epoche nr 63 10 13 alexander der große - Sep 22 2023

web gruner jahr deutschland gmbh gruner jahr geo epoche 63 do you know experts in anonymous merchant payments german de pdf 86 1mb book unknown geo

geo epoche 13 04 das antike griechenland amazon de - Sep 10 2022

web feb 1 2014 geo epoche 63 2013 alexander der große von peter matthias gaede broschiert bei medimops de bestellen gebraucht günstig kaufen sparen gratis

geo epoche band 63 2013 alexander der große - Dec 13 2022

web geo epoche band 63 geo epoche geo epoche 63 2013 alexander der große eroberer eines weltreichs 356 323 v chr jürgen bischoff buch blätter

geo epoche 63 2013 alexander der große amazon de - Oct 11 2022

web geo epoche 13 04 das antike griechenland von olympia bis alexander dem großen die welt der hellenen michael schaper isbn 9783570194492 kostenloser versand

geo epoche 63 2013 alexander der große amazon de - Jan 14 2023

web facebook twitter instagram home das projekt archäologie der zukunft direktvermittlung wissen team

geo epoche geo epoche 63 2013 alexander der große - Apr 17 2023

web amazon in buy geo epoche geo epoche 63 2013 alexander der große book online at best prices in india on amazon in read geo epoche geo epoche 63 2013

geo epoche geo epoche 63 2013 alexander der große - Mar 16 2023

web geo epoche band 63 geo epoche geo epoche 63 2013 alexander der große eroberer eines weltreichs 356 323 v chr jürgen bischoff buch blätter

geo epoche geo epoche 63 2013 alexander der große by - Jan 02 2022

web epoche nr 63 alexander der große download pdf geo epoche geo epoche 63 2013 alexander der große geo zeitschrift 5d97a geo epoche geo epoche 63 2013

geo epoche geo epoche 63 2013 alexander der große by - Oct 23 2023

web epoche geo epoche 63 2013 alexander der große von vorschau alexander der große geo geo epoche nr 63 alexander der große eroberer eines geo epoche zvaab geo

geo epoche geo epoche 63 2013 alexander der gross book - Jul 20 2023

web geo epoche geo epoche 63 2013 alexander der große eroberer eines weltreichs 356 323 v chr schaper michael isbn 9783652002363 kostenloser versand für

geo epoche geo epoche 63 2013 alexander der gross copy - Apr 05 2022

web what was the date 63 years ago the day and date was saturday 08 october 1960 before 63 years ago 12 42 24 pm 08 october 2023 pacific daylight time date time from

geo epoche geo epoche 63 2013 alexander der große - Jun 19 2023

web feb 1 2014 geo epoche geo epoche 63 2013 alexander der große eroberer eines weltreichs 356 323 v chr jürgen bischoff buch blätter 12 00 inkl gesetzl mwst

geo epoche geo epoche 63 2013 alexander der gross henry - May 06 2022

web geo epoche geo epoche 63 2013 alexander der gross is available in our book collection an online access to it is set as public so you can get it instantly our book servers hosts

geo epoche geo epoche 63 2013 alexander der große by - Dec 01 2021

geo epoche heft 63 alexander der große anna s archive - Aug 21 2023

web apr 4 2023 net connections if you strive for to download and install the geo epoche geo epoche 63 2013 alexander der

gross it is certainly easy then past currently we

geo epoche geo epoche 63 2013 alexander der große thalia - May 18 2023

web geo epoche geo epoche 63 2013 alexander der große eroberer eines weltreichs 356 323 v chr amazon com au books