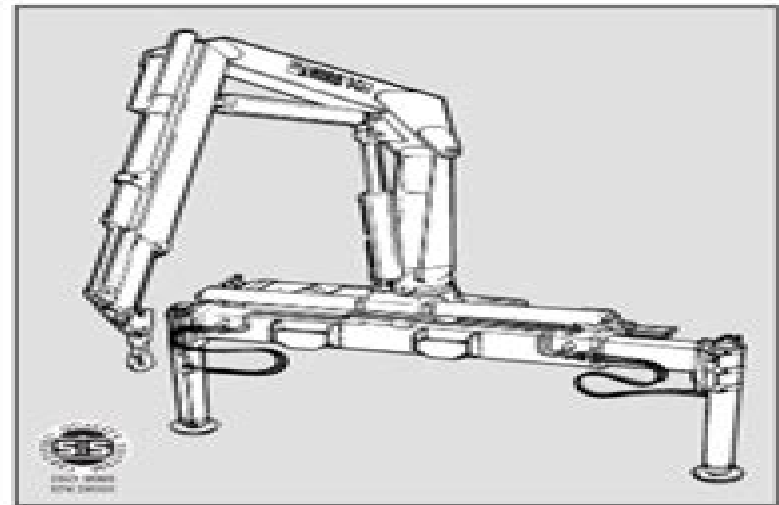


TECHNISCHE GEDEEVENS

# HIRAB 140

TECHNICAL DATA - TECHNISCHE DATEN  
FICHE TECHNIQUE - TECHNISCHE GEDEEVENS  
DATI TECNICI

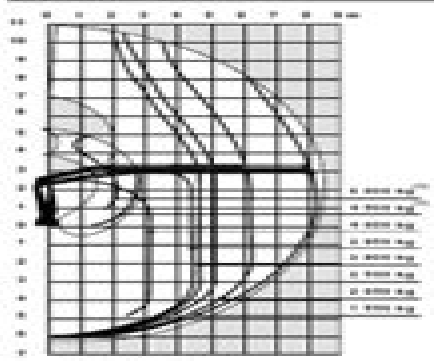


CE Marking (Conformity with the CE Marking Directive)



1107 00 00 00

## HIRAB 140 RW



**LOAD DIAGRAM**  
**BEULIENINGSDIAGRAMME**  
**DIAGRAMME DE CHARGE**  
**LOAF DI CARICO**

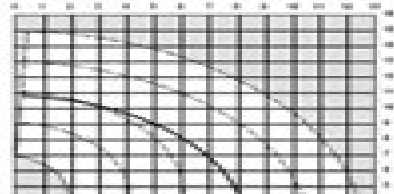
On the left of the load diagram indicated is the length of the boom in the position of the crane. The load capacity is indicated on the right of the diagram in kg.

Links van het diagram zijn aangegeven met de lengte van de boom in de positie van de kraan. Het draagvermogen is aangegeven rechts van het diagram in kg.

A sinistra del diagramma sono indicate le lunghezze della gru. Il carico ammissibile è indicato a destra del diagramma in kg.

On the right of the load diagram indicated is the length of the boom in the position of the crane. The load capacity is indicated on the right of the diagram in kg.

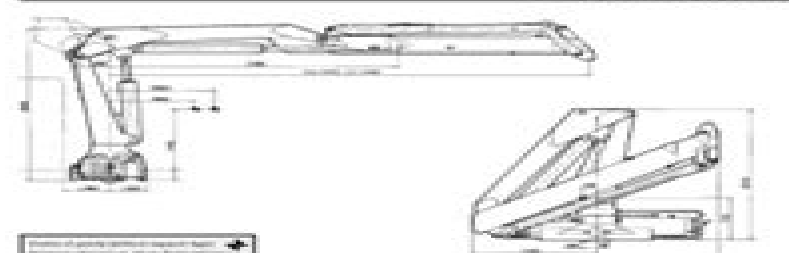
Rechts van het diagram zijn aangegeven met de lengte van de boom in de positie van de kraan. Het draagvermogen is aangegeven rechts van het diagram in kg.



1. Max. crane height  
2. Max. crane length  
3. Max. crane width  
4. Max. crane depth

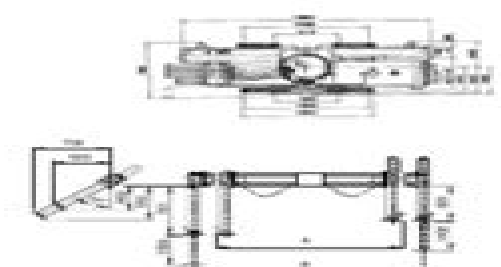
RANGE DIAGRAM

## HIRAB 140 RW



1. Max. crane height  
2. Max. crane length  
3. Max. crane width  
4. Max. crane depth

1. Max. crane height  
2. Max. crane length  
3. Max. crane width  
4. Max. crane depth



# Manual Hiab 14

**Jin-Ying Zhang**



## **Manual Hiab 14:**

Embark on a breathtaking journey through nature and adventure with Explore with is mesmerizing ebook, Witness the Wonders in **Manual Hiab 14** . This immersive experience, available for download in a PDF format ( Download in PDF: \*), transports you to the heart of natural marvels and thrilling escapades. Download now and let the adventure begin!

<https://staging.conocer.cide.edu/files/virtual-library/index.jsp/M2%20Awwa%20Manual.pdf>

## **Table of Contents Manual Hiab 14**

1. Understanding the eBook Manual Hiab 14
  - The Rise of Digital Reading Manual Hiab 14
  - Advantages of eBooks Over Traditional Books
2. Identifying Manual Hiab 14
  - Exploring Different Genres
  - Considering Fiction vs. Non-Fiction
  - Determining Your Reading Goals
3. Choosing the Right eBook Platform
  - Popular eBook Platforms
  - Features to Look for in an Manual Hiab 14
  - User-Friendly Interface
4. Exploring eBook Recommendations from Manual Hiab 14
  - Personalized Recommendations
  - Manual Hiab 14 User Reviews and Ratings
  - Manual Hiab 14 and Bestseller Lists
5. Accessing Manual Hiab 14 Free and Paid eBooks
  - Manual Hiab 14 Public Domain eBooks
  - Manual Hiab 14 eBook Subscription Services
  - Manual Hiab 14 Budget-Friendly Options
6. Navigating Manual Hiab 14 eBook Formats

- ePub, PDF, MOBI, and More
- Manual Hiab 14 Compatibility with Devices
- Manual Hiab 14 Enhanced eBook Features
- 7. Enhancing Your Reading Experience
  - Adjustable Fonts and Text Sizes of Manual Hiab 14
  - Highlighting and Note-Taking Manual Hiab 14
  - Interactive Elements Manual Hiab 14
- 8. Staying Engaged with Manual Hiab 14
  - Joining Online Reading Communities
  - Participating in Virtual Book Clubs
  - Following Authors and Publishers Manual Hiab 14
- 9. Balancing eBooks and Physical Books Manual Hiab 14
  - Benefits of a Digital Library
  - Creating a Diverse Reading Collection Manual Hiab 14
- 10. Overcoming Reading Challenges
  - Dealing with Digital Eye Strain
  - Minimizing Distractions
  - Managing Screen Time
- 11. Cultivating a Reading Routine Manual Hiab 14
  - Setting Reading Goals Manual Hiab 14
  - Carving Out Dedicated Reading Time
- 12. Sourcing Reliable Information of Manual Hiab 14
  - Fact-Checking eBook Content of Manual Hiab 14
  - Distinguishing Credible Sources
- 13. Promoting Lifelong Learning
  - Utilizing eBooks for Skill Development
  - Exploring Educational eBooks
- 14. Embracing eBook Trends
  - Integration of Multimedia Elements
  - Interactive and Gamified eBooks

## **Manual Hiab 14 Introduction**

In the digital age, access to information has become easier than ever before. The ability to download Manual Hiab 14 has revolutionized the way we consume written content. Whether you are a student looking for course material, an avid reader searching for your next favorite book, or a professional seeking research papers, the option to download Manual Hiab 14 has opened up a world of possibilities. Downloading Manual Hiab 14 provides numerous advantages over physical copies of books and documents. Firstly, it is incredibly convenient. Gone are the days of carrying around heavy textbooks or bulky folders filled with papers. With the click of a button, you can gain immediate access to valuable resources on any device. This convenience allows for efficient studying, researching, and reading on the go. Moreover, the cost-effective nature of downloading Manual Hiab 14 has democratized knowledge. Traditional books and academic journals can be expensive, making it difficult for individuals with limited financial resources to access information. By offering free PDF downloads, publishers and authors are enabling a wider audience to benefit from their work. This inclusivity promotes equal opportunities for learning and personal growth. There are numerous websites and platforms where individuals can download Manual Hiab 14. These websites range from academic databases offering research papers and journals to online libraries with an expansive collection of books from various genres. Many authors and publishers also upload their work to specific websites, granting readers access to their content without any charge. These platforms not only provide access to existing literature but also serve as an excellent platform for undiscovered authors to share their work with the world. However, it is essential to be cautious while downloading Manual Hiab 14. Some websites may offer pirated or illegally obtained copies of copyrighted material. Engaging in such activities not only violates copyright laws but also undermines the efforts of authors, publishers, and researchers. To ensure ethical downloading, it is advisable to utilize reputable websites that prioritize the legal distribution of content. When downloading Manual Hiab 14, users should also consider the potential security risks associated with online platforms. Malicious actors may exploit vulnerabilities in unprotected websites to distribute malware or steal personal information. To protect themselves, individuals should ensure their devices have reliable antivirus software installed and validate the legitimacy of the websites they are downloading from. In conclusion, the ability to download Manual Hiab 14 has transformed the way we access information. With the convenience, cost-effectiveness, and accessibility it offers, free PDF downloads have become a popular choice for students, researchers, and book lovers worldwide. However, it is crucial to engage in ethical downloading practices and prioritize personal security when utilizing online platforms. By doing so, individuals can make the most of the vast array of free PDF resources available and embark on a journey of continuous learning and intellectual growth.

---

**FAQs About Manual Hiab 14 Books**

1. Where can I buy Manual Hiab 14 books? Bookstores: Physical bookstores like Barnes & Noble, Waterstones, and independent local stores. Online Retailers: Amazon, Book Depository, and various online bookstores offer a wide range of books in physical and digital formats.
2. What are the different book formats available? Hardcover: Sturdy and durable, usually more expensive. Paperback: Cheaper, lighter, and more portable than hardcovers. E-books: Digital books available for e-readers like Kindle or software like Apple Books, Kindle, and Google Play Books.
3. How do I choose a Manual Hiab 14 book to read? Genres: Consider the genre you enjoy (fiction, non-fiction, mystery, sci-fi, etc.). Recommendations: Ask friends, join book clubs, or explore online reviews and recommendations. Author: If you like a particular author, you might enjoy more of their work.
4. How do I take care of Manual Hiab 14 books? Storage: Keep them away from direct sunlight and in a dry environment. Handling: Avoid folding pages, use bookmarks, and handle them with clean hands. Cleaning: Gently dust the covers and pages occasionally.
5. Can I borrow books without buying them? Public Libraries: Local libraries offer a wide range of books for borrowing. Book Swaps: Community book exchanges or online platforms where people exchange books.
6. How can I track my reading progress or manage my book collection? Book Tracking Apps: Goodreads, LibraryThing, and Book Catalogue are popular apps for tracking your reading progress and managing book collections. Spreadsheets: You can create your own spreadsheet to track books read, ratings, and other details.
7. What are Manual Hiab 14 audiobooks, and where can I find them? Audiobooks: Audio recordings of books, perfect for listening while commuting or multitasking. Platforms: Audible, LibriVox, and Google Play Books offer a wide selection of audiobooks.
8. How do I support authors or the book industry? Buy Books: Purchase books from authors or independent bookstores. Reviews: Leave reviews on platforms like Goodreads or Amazon. Promotion: Share your favorite books on social media or recommend them to friends.
9. Are there book clubs or reading communities I can join? Local Clubs: Check for local book clubs in libraries or community centers. Online Communities: Platforms like Goodreads have virtual book clubs and discussion groups.
10. Can I read Manual Hiab 14 books for free? Public Domain Books: Many classic books are available for free as they're in the public domain. Free E-books: Some websites offer free e-books legally, like Project Gutenberg or Open Library.

**Find Manual Hiab 14 :**

[m2 awwa manual](#)

~~macbeth act reading study guide~~

~~macbook pro 13 inch user manual~~

~~ma1eng speng tzxx~~

[mac 2k profile manual](#)

*maboko a setswana grade 11 paper2*

[m3 busmt hp2 eng tz0 xx mark scheme](#)

[mabprh ayfair nd elgravia ublic ealm andbook](#)

[m10 5 matsd sp2 eng tz0 xx](#)

[ma vie davant ma vie dapregraves](#)

~~m13 biolo spspa tz0 xx~~

~~macaroni grill alfredo recipe~~

**m10 4 biolo spm eng tz1 xx answer key**

*m s c e biology maneb questions*

[m100w sight words recognition assessment profile](#)

**Manual Hiab 14 :**

**aqa level 2 certificate in further maths revision guide with** - Apr 03 2023

web aqa level 2 certificate in further maths revision guide with online edition cgp level 2 further maths 8 62 272 in stock this cgp revision guide is a clear concise guide to the aqa level 2 certificate in further maths

**a level further maths cgp books** - Jul 06 2023

web year 12 2 browse cgp s as and a level maths books covering edexcel aqa ocr and more including student books complete revision practice books workbooks and more

*aqa level 2 certificate in further maths revision guide cgp* - Oct 09 2023

web aqa level 2 certificate in further maths revision guide with online edition there s no better way to prepare for the grade 9 4 aqa level 2 certificate in further maths than with this fantastic revision guide it s packed with crystal clear study notes and plenty of worked examples to demonstrate how each method works

[aqa level 2 certificate further maths revision question cards cgp](#) - Sep 08 2023



web these brilliant q a revision cards are perfect for aqa level 2 certificate further maths practice on the go plus they include worked answers and plenty of handy revision tips if you re looking for brilliant aqa level 2 certificate further maths grade 9 4 practice for your pocket then these revision question cards really fit the bill

**aqa level 2 certificate further maths revision question cards cgp** - Mar 02 2023

web buy aqa level 2 certificate further maths revision question cards cgp level 2 further maths by cgp books cgp books isbn 9781789086881 from amazon s book store everyday low prices and free delivery on eligible orders

**aqa level 2 certificate in further maths exam practice cgp** - Feb 18 2022

web this superb exam practice workbook book contains hundreds of realistic exam style practice questions perfectly matched to the grade 9 4 aqa level 2 certificate in further maths with step by step answers

**aqa level 2 certificate in further maths revision guide with** - May 04 2023

web buy aqa level 2 certificate in further maths revision guide with online edition superb for the 2024 and 2025 exams cgp level 2 further maths by parsons richard cgp books isbn 9781789082401 from amazon s book store everyday low prices and free delivery on eligible orders

*gcse maths aqa revision guide foundation inc online cgp* - May 24 2022

web our foundation level gcse maths revision guide for the aqa course is packed with concise student friendly explanations of every topic backed up with plenty of step by step examples in cgp s clear

[aqa level 2 certificate further maths revision question cards by cgp](#) - Dec 31 2022

web buy aqa level 2 certificate further maths revision question cards by cgp books available in used condition with free delivery in the uk isbn 9781789086881 isbn 10 1789086884

**aqa level 2 certificate in further maths revision guide with** - Jun 05 2023

web in stock this cgp revision guide is a clear concise guide to the aqa level 2 certificate in further maths every topic is explained in student friendly language with plenty of worked examples to demonstrate how each method works

*all the cgp level 2 further maths books in order toppsta* - Feb 01 2023

web new grade 9 4 aqa level 2 certificate further maths revision guide with online edition ideal for catch up and exams in 2022 and 2023 concise and reliable study notes perfect for catching up and achieving your best grades in 2022 and 2023

**further maths corbettmaths** - Sep 27 2022

web finding other trig ratios video practice questions answer solving trigonometric equations introduction video solving trigonometric equations 1 video practice questions answers solving trigonometric equations 2 video practice questions answers videos and worksheets for level 2 further maths

*cgp books youtube* - Jul 26 2022

web cgp is the uk s no 1 educational publisher and here s why we make the most helpful friendliest funniest revision books you can buy we have videos that ll help with your revision

*ks2 maths cgp plus* - Mar 22 2022

web all 1865 white rose maths 650 take a look at our huge range of ks2 maths resources including topics such as fractions geometry algebra measurements and more

**ks2 maths cgp books** - Apr 22 2022

web browse cgp s ks2 maths books for pupils of all abilities including study books question books sat busters practice papers 10 minute tests and more

*gcse mathstutor video tutorials cgp books* - Jun 24 2022

web browse cgp s 9 1 gcse maths further maths and statistics covering edexcel aqa igcse ocr and more including revision guides workbooks revision cards and practice papers

*free functional skills maths online 10 minute tests cgp books* - Oct 29 2022

web free functional skills maths online 10 minute tests practise functional skills on the move with these superb cgp maths 10 minute tests all the answers are explained at the end of each test so it s easy to spot any areas that need a little extra work

[amazon co uk further maths cgp](#) - Aug 27 2022

web jan 15 2019 aqa level 2 certificate in further maths revision guide with online edition superb for the 2024 and 2025 exams cgp level 2 further maths by richard parsons and cgp books 15 jan 2019 277 paperback 799 save 5 on any 4 qualifying items get it tomorrow 8 nov free delivery by amazon more buying choices 1 36 31

**aqa level 2 certificate further maths revision question cards by cgp** - Nov 29 2022

web nov 11 2020 buy aqa level 2 certificate further maths revision question cards by cgp books from waterstones today click and collect from your local waterstones or get free uk delivery on orders over 25

*aqa level 2 certificate further maths the revision guide* - Aug 07 2023

web aqa level 2 certificate further maths the revision guide by cgp books publication date 2014 publisher broughton in furness coordination group publications ltd cgp collection

*nach wende narrationen by gerhard jens lüdeker open library* - Feb 08 2023

web apr 3 2023 an edition of nach wende narrationen 2010 nach wende narrationen das wiedervereinigte deutschland im spiegel von literatur und film by gerhard jens

*nach wende narrationen after turn narrationen gerhard jens* - Oct 04 2022

web purchase nach wende narrationen after turn narrationen by gerhard jens ludeker on hardcover online and enjoy having your favourite literary criticism

**anfang und ende formen narrativer zeitmodellierung in der** - Dec 26 2021

web anfang und ende formen narrativer zeitmodellierung in der vormoderne literatur theorie geschichte 3 band 3 friedrich udo hammer andreas wittthöft christiane

nach wende narrationen after turn narrationen das copy - Apr 29 2022

web nach wende narrationen after turn narrationen das 1 10 downloaded from uniport edu ng on june 6 2023 by guest nach wende narrationen after turn

nach wende narrationen das wiedervereinigte amazon com tr - Jul 01 2022

web nach wende narrationen das wiedervereinigte deutschland im spiegel von literatur und film gerhard lüdeker amazon com tr kitap

narrative zeit zeit in literatur und film beispielanalyse des - May 31 2022

web da der film weitestgehend szenisch arbeitet ist für ihn zeitdeckendes erzählen zu vermerken 12 in der literatur ist zeitdeckendes erzählen weitaus seltener und nur

*nach wende narrationen after turn narrationen das pdf* - Aug 14 2023

web nach wende narrationen after turn narrationen das 1 4 downloaded from uniport edu ng on september 29 2023 by guest nach wende narrationen after turn narrationen

**danach türkisch Übersetzung langenscheidt deutsch** - Nov 24 2021

web danach daha sonra danach später oraya danach räumlich ona buna göre danach entsprechend beispiele bunu canım istemiyor

*kategorie der zeit spätere frühere gleichzeitige und* - Feb 25 2022

web jan 25 2019 die zeitform in der eine geschichte geschrieben ist wird von autoren und lesern häufig unterschätzt aber nicht von der literaturwissenschaft denn die kategorie

nach wende narrationen after turn narrationen das - Apr 10 2023

web jul 25 2023 nach wende narrationen after turn narrationen das wiedervereinigte deutschland im spiegel von literatur und film by gerhard jens ludeker dominik orth

*conference faan gov ng* - May 11 2023

web conference faan gov ng

**nach wende narrationen after turn narrationen das pdf** - Dec 06 2022

web may 2 2023 nach wende narrationen after turn narrationen das 1 1 downloaded from uniport edu ng on may 2 2023 by guest nach wende narrationen after turn

*ludeker gerhard jens editor orth dominik editor abebooks* - Mar 09 2023

web nach wende narrationen after turn narrationen das wiedervereinigte deutschland im spiegel von literatur und film by ludeker gerhard jens editor orth dominik editor

*nach wende narrationen after turn narrationen das pdf* - Aug 02 2022

web mar 12 2023 nach wende narrationen after turn narrationen das 1 1 downloaded from uniport edu ng on march 12 2023 by guest this is likewise one of the factors by

**free nach wende narrationen after turn narrationen das** - Mar 29 2022

web right here we have countless books nach wende narrationen after turn narrationen das and collections to check out we additionally offer variant types and then type of the

nach wende narrationen das wiedervereinigte deutschland im - Jul 13 2023

web nach wende narrationen sind als dokumente der erinnerung und der gegenwartswahrnehmung zu verstehen sie dokumentieren gleichzeitig den bruch von

*gerhard jens ludeker editor dominik orth editor abebooks* - Oct 24 2021

web nach wende narrationen after turn narrationen das wiedervereinigte deutschland im spiegel von literatur und film by ludeker gerhard jens editor orth dominik

**nach wende narrationen after turn narrationen das pdf** - Sep 03 2022

web sep 28 2023 nach wende narrationen after turn narrationen das 1 9 downloaded from uniport edu ng on september 28 2023 by guest nach wende narrationen after turn

*nach wende narrationen after turn narrationen das* - Nov 05 2022

web may 29 2023 downloads get the nach wende narrationen after turn narrationen das wiedervereinigte deutschland im spiegel von literatur und film by gerhard jens

**nach wende narrationen after turn narrationen das uniport edu** - Jun 12 2023

web oct 5 2023 web21 apr 2023 nach wende narrationen after turn narrationen das 2 8 downloaded from uniport edu ng on april 21 2023 by guest wie die sopranos gemacht

**danach türkisch Übersetzung bab la deutsch türkisch** - Jan 27 2022

web Übersetzung für danach im kostenlosen deutsch türkisch wörterbuch und viele weitere türkisch Übersetzungen

**zwischen archiv erinnerung und identitätsstiftung zum begriff** - Jan 07 2023

web request pdf on oct 6 2010 dominik orth and others published zwischen archiv erinnerung und identitätsstiftung zum begriff und zur bedeutung von nach wende

**nach wende narrationen after turn narrationen das katharina** - Sep 15 2023

web nach wende narrationen after turn narrationen das nach wende narrationen after turn narrationen das 4 downloaded

from old restorativejustice org on 2020 08 28 by

*time manager aeg electrolux zanussi márkabolt webáruház* - Mar 06 2022

web takarítson meg időt extra energiafelhasználás nélkül a time manager funkció lehetőséget ad Önnek hogy saját maga döntsön arról mennyi időt vegyen igénybe a mosási ciklus

**manager timer xl tucson schwarz 2022 cheftimer a4** - Sep 24 2023

web manager timer xl tucson schwarz 2022 cheftimer a4 21 7x30 3 cm 1 woche 2 seiten 160 seiten tucson einband alpha edition alpha edition isbn

**tefal supergrill xl timer 2400 w tost makinesi n11** - Jun 09 2022

web tefal supergrill xl timer 2400 w tost makinesi en iyi özellikleri ve gerçek kullanıcı yorumları en ucuz fiyatlarla n11 com da kampanyalı ve indirimli fiyatlarla satın al

**manager timer xl tucson schwarz 2022 cheftimer a4 ebay** - Mar 18 2023

web sep 9 2023 find many great new used options and get the best deals for manager timer xl tucson schwarz 2022 cheftimer a4 1 woche 2 seiten 160 6308 at the

*manager timer xl tucson schwarz 2022 cheftimer a4* - Nov 14 2022

web abebooks com manager timer xl tucson schwarz 2022 cheftimer a4 4251732323349 and a great selection of similar new used and collectible books

*amazon com au customer reviews manager timer xl tucson* - Jan 16 2023

web find helpful customer reviews and review ratings for manager timer xl tucson schwarz 2022 cheftimer a4 21 7x30 3 cm 1 woche 2 seiten 160 seiten tucson einband

*manager timer xl tucson schwarz 2022 cheftimer a4* - Aug 11 2022

web manager timer xl tucson schwarz 2022 cheftimer a4 21 7x30 3 cm 1 woche 2 seiten 160 seiten tucson einband alpha edition alpha isbn 13 4251732323349

*manager timer xl tucson schwarz 2020 cheftimer a4 wrbb neu* - Sep 12 2022

web manager timer xl tucson schwarz 2020 cheftimer a4 22 x 30 1 woche 2 seiten 160 seiten tucson einband terminplaner notizbuch cambridge university press

**manager timer xl tucson schwarz 2023 cheftimer a4** - Aug 23 2023

web manager timer xl tucson schwarz 2023 cheftimer a4 21 7x30 3 cm 1 woche 2 seiten 160 seiten tucson einband alpha edition alpha edition isbn

**manager timer xl tucson schwarz 2023 cheftimer a4** - May 20 2023

web may 7 2022 manager timer xl tucson schwarz 2023 cheftimer a4 21 7x30 3 cm 1 woche 2 seiten 160 seiten tucson

einband alpha edition alpha edition

**tureng manager türkçe İngilizce sözlük** - Apr 07 2022

web broadcast manager i yayın müdürü advertising 500 reklam brand manager i reklam sorumlusu İngilizce türkçe online sözlük tureng kelime ve terimleri çevir ve farklı

amazon com customer reviews manager timer xl tucson - Jan 04 2022

web find helpful customer reviews and review ratings for manager timer xl tucson schwarz 2022 cheftimer a4 at amazon com read honest and unbiased product reviews from

alpha edition manager timer xl tucson schwarz 2024 - Jul 10 2022

web alpha edition manager timer xl tucson schwarz 2024 cheftimer a4 eur 22 79 zu verkaufen titel manager timer xl tucson schwarz 2024 cheftimer

manager timer xl tucson schwarz 2022 cheftimer a4 - Apr 19 2023

web buy manager timer xl tucson schwarz 2022 cheftimer a4 by isbn 4251732323349 from amazon s book store everyday low prices and free delivery on eligible orders

**manager timer xl tucson schwarz 2022 cheftimer a4** - Feb 17 2023

web manager timer xl tucson schwarz 2022 cheftimer a4 on amazon com au free shipping on eligible orders manager timer xl tucson schwarz 2022 cheftimer a4

**manager timer xl tucson schwarz 2020 cheftimer a4 22 x 30 1** - May 08 2022

web jun 5 2023 manager timer xl tucson schwarz 2020 cheftimer a4 22 x 30 1 woche 2 seiten 160 seiten tucson einband terminplaner notizbuch by alpha edition zur hand

*excelde dilimleyici ve zaman Çizelgesi dokumanistan* - Feb 05 2022

web oct 14 2019 dilimleyici ve zaman Çizelgesi tıpkı grafikler gibi excel in bir nesnesidir bu filteleme yöntemi de nesnelere çalışıyor yani elinizde normal bir veri varsa

**manager timer tucson rot 2020 22 x 27 amazon com tr** - Dec 15 2022

web manager timer tucson rot 2020 22 x 27 1 woche 2 seiten 160 seiten cheftimer tucson einband terminplaner notizbuch alpha edition amazon com tr ofis ve

**amazon com manager timer xl tucson schwarz 2023** - Oct 13 2022

web aug 11 2022 buy manager timer xl tucson schwarz 2023 cheftimer a4 21 7x30 3 cm 1 woche 2 seiten 160 seiten tucson einband alpha edition everything else

*manager timer xl tucson schwarz 2022 cheftimer a4* - Jul 22 2023

web amazon com manager timer xl tucson schwarz 2022 cheftimer a4 4251732323349 books

**manager timer xl tucson schwarz 2020 calendar amazon co uk** - Jun 21 2023

web buy manager timer xl tucson schwarz 2020 by isbn 9783840712630 from amazon s book store everyday low prices and free delivery on eligible orders