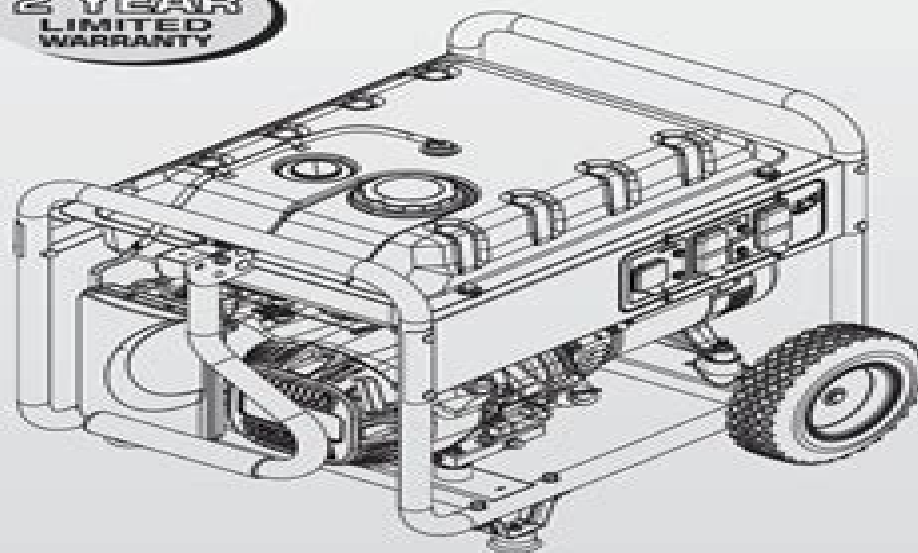


Owner's Manual **GP 8000E Portable Generator**

2 YEAR
LIMITED
WARRANTY



▲ DANGER!

- ▲ DEADLY EXHAUST FUMES! ONLY use OUTSIDE far away from windows, doors and vents!**
- ▲ NOT INTENDED FOR USE IN CRITICAL LIFE SUPPORT APPLICATIONS.**
- ▲ SAVE this Manual. Provide this manual to any operator of the generator.**

Generac 8000 Manual

JS Bruner



Generac 8000 Manual:

Litigation Manual Outline and Litigation Manual, 1956-1971 United States. National Labor Relations Board. Division of Litigation. Legal Research and Special Projects Branch,1972 Public Works Manual ,1998 **The Comprehensive NAVY SEALS BUG-IN GUIDE** Connor Blackwell, The Ultimate Home Defense and Survival Blueprint Are you truly prepared for what could happen From home invasions to natural disasters this guide takes a deep dive into protecting your home family and future You ll learn the essentials of home defense including threat analysis perimeter security and fortifying doors and windows Master Navy SEAL inspired strategies for tactical planning situational awareness and how to create family defense plans The guide also covers crucial aspects of survival such as food storage medical preparedness DIY canning bug out bags and emergency communication plans With defensive landscaping tips off grid power solutions and advanced surveillance techniques you ll be ready for anything This book is your comprehensive guide to handling crisis scenarios legal considerations and even psychological preparation ensuring your family can thrive not just survive Prepare now and protect what matters most *Popular Mechanics* ,1978-08 Popular Mechanics inspires instructs and influences readers to help them master the modern world Whether it s practical DIY home improvement tips gadgets and digital technology information on the newest cars or the latest breakthroughs in science PM is the ultimate guide to our high tech lifestyle **Progressive Farmer** ,1998 **Thomas Register of American Manufacturers** ,2002 This basic source for identification of U S manufacturers is arranged by product in a large multi volume set Includes Products services Company profiles and Catalog file **Diesel Progress Engines & Drives** ,1989 **The American City** Arthur Hastings Grant,Harold S. Bittenheim,1968-07 *Commerce Business Daily* ,1999-03 **Popular Mechanics** ,1978-07 *Diesel Progress North American* ,1984 **Supplement to the Official Journal of the European Communities** ,1994 **Roads and Streets** ,1972-07 Issues for include section Bituminous roads and streets **Thomas Register of American Manufacturers and Thomas Register Catalog File** ,1996 Vols for 1970 71 includes manufacturers catalogs **American Export Register** ,1991 **Farmers and Consumers Market Bulletin** ,2011 **Fleet Owner** ,1966 Wallaces Farmer ,1987 **Official United States E-mail & Fax Directory** Susan J. (editor) Cindric,1998 Industrial Equipment News ,1969

Eventually, you will very discover a additional experience and exploit by spending more cash. yet when? realize you take on that you require to get those every needs when having significantly cash? Why dont you try to get something basic in the beginning? Thats something that will guide you to understand even more around the globe, experience, some places, bearing in mind history, amusement, and a lot more?

It is your no question own get older to proceed reviewing habit. accompanied by guides you could enjoy now is **Generac 8000 Manual** below.

<https://staging.conocer.cide.edu/book/book-search/index.jsp/everyday%20conversations%20in%20russian.pdf>

Table of Contents Generac 8000 Manual

1. Understanding the eBook Generac 8000 Manual
 - The Rise of Digital Reading Generac 8000 Manual
 - Advantages of eBooks Over Traditional Books
2. Identifying Generac 8000 Manual
 - Exploring Different Genres
 - Considering Fiction vs. Non-Fiction
 - Determining Your Reading Goals
3. Choosing the Right eBook Platform
 - Popular eBook Platforms
 - Features to Look for in an Generac 8000 Manual
 - User-Friendly Interface
4. Exploring eBook Recommendations from Generac 8000 Manual
 - Personalized Recommendations
 - Generac 8000 Manual User Reviews and Ratings
 - Generac 8000 Manual and Bestseller Lists
5. Accessing Generac 8000 Manual Free and Paid eBooks

- Generac 8000 Manual Public Domain eBooks
 - Generac 8000 Manual eBook Subscription Services
 - Generac 8000 Manual Budget-Friendly Options
6. Navigating Generac 8000 Manual eBook Formats
- ePub, PDF, MOBI, and More
 - Generac 8000 Manual Compatibility with Devices
 - Generac 8000 Manual Enhanced eBook Features
7. Enhancing Your Reading Experience
- Adjustable Fonts and Text Sizes of Generac 8000 Manual
 - Highlighting and Note-Taking Generac 8000 Manual
 - Interactive Elements Generac 8000 Manual
8. Staying Engaged with Generac 8000 Manual
- Joining Online Reading Communities
 - Participating in Virtual Book Clubs
 - Following Authors and Publishers Generac 8000 Manual
9. Balancing eBooks and Physical Books Generac 8000 Manual
- Benefits of a Digital Library
 - Creating a Diverse Reading Collection Generac 8000 Manual
10. Overcoming Reading Challenges
- Dealing with Digital Eye Strain
 - Minimizing Distractions
 - Managing Screen Time
11. Cultivating a Reading Routine Generac 8000 Manual
- Setting Reading Goals Generac 8000 Manual
 - Carving Out Dedicated Reading Time
12. Sourcing Reliable Information of Generac 8000 Manual
- Fact-Checking eBook Content of Generac 8000 Manual
 - Distinguishing Credible Sources
13. Promoting Lifelong Learning
- Utilizing eBooks for Skill Development

- Exploring Educational eBooks
14. Embracing eBook Trends
- Integration of Multimedia Elements
 - Interactive and Gamified eBooks

Generac 8000 Manual Introduction

In today's digital age, the availability of Generac 8000 Manual books and manuals for download has revolutionized the way we access information. Gone are the days of physically flipping through pages and carrying heavy textbooks or manuals. With just a few clicks, we can now access a wealth of knowledge from the comfort of our own homes or on the go. This article will explore the advantages of Generac 8000 Manual books and manuals for download, along with some popular platforms that offer these resources. One of the significant advantages of Generac 8000 Manual books and manuals for download is the cost-saving aspect. Traditional books and manuals can be costly, especially if you need to purchase several of them for educational or professional purposes. By accessing Generac 8000 Manual versions, you eliminate the need to spend money on physical copies. This not only saves you money but also reduces the environmental impact associated with book production and transportation. Furthermore, Generac 8000 Manual books and manuals for download are incredibly convenient. With just a computer or smartphone and an internet connection, you can access a vast library of resources on any subject imaginable. Whether you're a student looking for textbooks, a professional seeking industry-specific manuals, or someone interested in self-improvement, these digital resources provide an efficient and accessible means of acquiring knowledge. Moreover, PDF books and manuals offer a range of benefits compared to other digital formats. PDF files are designed to retain their formatting regardless of the device used to open them. This ensures that the content appears exactly as intended by the author, with no loss of formatting or missing graphics. Additionally, PDF files can be easily annotated, bookmarked, and searched for specific terms, making them highly practical for studying or referencing. When it comes to accessing Generac 8000 Manual books and manuals, several platforms offer an extensive collection of resources. One such platform is Project Gutenberg, a nonprofit organization that provides over 60,000 free eBooks. These books are primarily in the public domain, meaning they can be freely distributed and downloaded. Project Gutenberg offers a wide range of classic literature, making it an excellent resource for literature enthusiasts. Another popular platform for Generac 8000 Manual books and manuals is Open Library. Open Library is an initiative of the Internet Archive, a non-profit organization dedicated to digitizing cultural artifacts and making them accessible to the public. Open Library hosts millions of books, including both public domain works and contemporary titles. It also allows users to borrow digital copies of certain books for a limited period, similar to a library lending system. Additionally, many universities and educational institutions have their own digital

libraries that provide free access to PDF books and manuals. These libraries often offer academic texts, research papers, and technical manuals, making them invaluable resources for students and researchers. Some notable examples include MIT OpenCourseWare, which offers free access to course materials from the Massachusetts Institute of Technology, and the Digital Public Library of America, which provides a vast collection of digitized books and historical documents. In conclusion, Generac 8000 Manual books and manuals for download have transformed the way we access information. They provide a cost-effective and convenient means of acquiring knowledge, offering the ability to access a vast library of resources at our fingertips. With platforms like Project Gutenberg, Open Library, and various digital libraries offered by educational institutions, we have access to an ever-expanding collection of books and manuals. Whether for educational, professional, or personal purposes, these digital resources serve as valuable tools for continuous learning and self-improvement. So why not take advantage of the vast world of Generac 8000 Manual books and manuals for download and embark on your journey of knowledge?

FAQs About Generac 8000 Manual Books

How do I know which eBook platform is the best for me? Finding the best eBook platform depends on your reading preferences and device compatibility. Research different platforms, read user reviews, and explore their features before making a choice. Are free eBooks of good quality? Yes, many reputable platforms offer high-quality free eBooks, including classics and public domain works. However, make sure to verify the source to ensure the eBook credibility. Can I read eBooks without an eReader? Absolutely! Most eBook platforms offer web-based readers or mobile apps that allow you to read eBooks on your computer, tablet, or smartphone. How do I avoid digital eye strain while reading eBooks? To prevent digital eye strain, take regular breaks, adjust the font size and background color, and ensure proper lighting while reading eBooks. What the advantage of interactive eBooks? Interactive eBooks incorporate multimedia elements, quizzes, and activities, enhancing the reader engagement and providing a more immersive learning experience. Generac 8000 Manual is one of the best book in our library for free trial. We provide copy of Generac 8000 Manual in digital format, so the resources that you find are reliable. There are also many Ebooks of related with Generac 8000 Manual. Where to download Generac 8000 Manual online for free? Are you looking for Generac 8000 Manual PDF? This is definitely going to save you time and cash in something you should think about.

Find Generac 8000 Manual :**everyday conversations in russian**

everyday politics reconnecting citizens

everything you need to know about romance and the internet how to stay safe

evolution of man & society**everyday mathematics second grade assessment handbook**

everyones a critic the ultimate entertainment review journal

everything will be all right

everyday spelling - vocabulary - writing - cross-curricular words**everyday life in south asia****examiners kit forms a and b**

everything you need to know about pms

evil kingdom super bolan 23 ii of the medellin trilogy

evil-shooting way two in monster-slayer seri

evie and margie

everyday violence how women and men experience sexual and physical danger**Generac 8000 Manual :**

DRIVE vehicle sketches and renderings by Scott Robertson Drive: Robertson, Scott, Robertson, Scott - Books DRIVEfeatures Scott Robertson's very latest vehicle designs intended for the video game space communicated through skillfully drawn sketches and renderings. DRIVE DRIVE features Scott Robertson's very latest vehicle designs intended for the video game space communicated through skillfully drawn sketches and renderings ... Drive. Vehicle Sketches and Renderings by Scott ... Very high quality book with equally high quality renderings of some fantastical vehicles. Even if you aren't in to vehicles (I am in to space ships) this book ... DRIVE: Vehicle Sketches and Renderings by Scott ... "Divided into four chapters, each with a different aesthetic - aerospace, military, pro sports and salvage - this book is bursting with images of sports cars, ... Drive: Vehicle Sketches and Renderings | Scott Robertson ... Drive: Vehicle Sketches and Renderings ... Notes: Concept and video game cars illustrated. 176 pages. 11-1/8 by 9-1/4 inches (oblong). Edition + Condition: First ... Drive. Vehicle Sketches and Renderings by Scott ... Culver City, California: Design Studio Press, 2010. First edition. Hardcover. Quarto Oblong. 176pp. Dedicated to Stanley with car drawing and signature on ... DRIVE: vehicle sketches and renderings by Scott Robertson Nov

10, 2010 — This book is about cool cars and awesome rigs. It's a 176-page hardcover with a very nice cover. The pages are just loaded with concept sketches ... Drive: Vehicle Sketches and Renderings by Scott Robertson Featuring four chapters, each representing a different aesthetic theme, Aerospace, Military, Pro Sports and Salvage, conceptual sports cars, big-rigs and off - ... Drive Vehicle Sketches And Renderings By Scott Robertson Oct 30, 2014 — How to Draw Cars the Hot Wheels Way -. Scott Robertson 2004-08-14. This book provides excellent how-to-draw detail. Música Civilización Occidental by Láng Paul Henry La musica en lal civilizacion occidental by Lang, Paul Henry and a great selection of related books, art and collectibles available now at AbeBooks.com. La música en la civilización occidental - Paul Henry Lang Paul Henry Lang. Edition, 2. Publisher, Editorial Universitaria de Buenos Aires, 1969. Length, 896 pages. Export Citation, BiBTeX EndNote RefMan · About Google ... La música en la civilización occidental by Lang, Paul Henry View all copies of this book. About this Item. Used Condition: Bien tapa blanda. Música. Géneros musicales. Métodos y estudios de Música para los distintos ... Music in western civilization: Lang, Paul Henry Book details · Print length. 1107 pages · Language. English · Publisher. W.W. Norton · Publication date. January 1, 1941 · See all details. la musica en la civilizacion occidental. paul h Be sure not to miss out on LA MUSICA EN LA CIVILIZACION OCCIDENTAL. PAUL H. Buy it at the best price in the section Other used history books ... PAUL HENRY LANG. la musica en la civilizacion occidental. paul h LA MUSICA EN LA CIVILIZACION OCCIDENTAL. PAUL HENRY LANG. ED. BUENOS AIRES 1979. Rústica con solapas. 896 páginas. Texto Doble columna. Música en la civilización occidental de Paul Henry Lang HC Sep 29, 2023 — Primera edición, séptima impresión. Publicado por W. W. Norton, 1941. Octavo en estuche. Tableros de tela marrón estampados en oro. El libro ... láng paul henry - música civilización occidental - Iberlibro La musica en lal civilizacion occidental de Lang, Paul Henry y una gran selección de libros, arte y artículos de colección disponible en Iberlibro.com. La Musica En La Civilizacion Occidental Paul Henry Lang Envíos Gratis en el día ☐ Comprá La Musica En La Civilizacion Occidental Paul Henry Lang en cuotas sin interés! Conocé nuestras increíbles ofertas y ... PHP Training Courses | Learn PHP Today Zend now offers free, on-demand PHP training courses. These courses are great for teams just getting started with PHP, and cover everything from installing PHP, ... Zend PHP Certification Study Guide. The Zend PHP Certification Study Guide provides an excellent resource to pre-test your skills and guide you to your ultimate goal of becoming a Zend Certified ... Zend PHP Certification Study Guide The Zend PHP Certification Study Guide is a concise, densely packed book that will get you up to speed quickly on the nature of the exam's questions and what to ... Zend PHP Certification Study Guide - PHP ir MySQL Zend PHP Certification Study Guide. Copyright © 2005 by Sams Publishing ... The Zend PHP Certification Study Guide covers every topic that is part of the exam. Study materials for Zend PHP Certification : r/PHPhelp There's a zend certification study guide which they sell for the PHP certification. ... <https://www.zend.com/training/php-certification-study-> ... Zend Framework 2 Certification Test Prep This is a Test Preparation course it does not teach the basics of ZF2 or PHP. Prerequisites. At least intermediate-level knowledge of

the thirteen topic areas ... PHP Certification Study Guide book by Zend Technologies Buy a cheap copy of PHP Certification Study Guide book by Zend Technologies. The first and only officially authorized book on the PHP Certification exam ... Zend PHP Certification Study Guide The third edition of the Zend PHP Certification Study Guide contains more than 80 pages of brand new content, as well as being fully updated to PHP 5.6. With 3 ... The Zend PHP Certification Exam Journey - Edward Chung My exam experience with all study notes and sharing of the study process. Hope this webpage would be useful for wanna-be Zend PHP certified engineers.