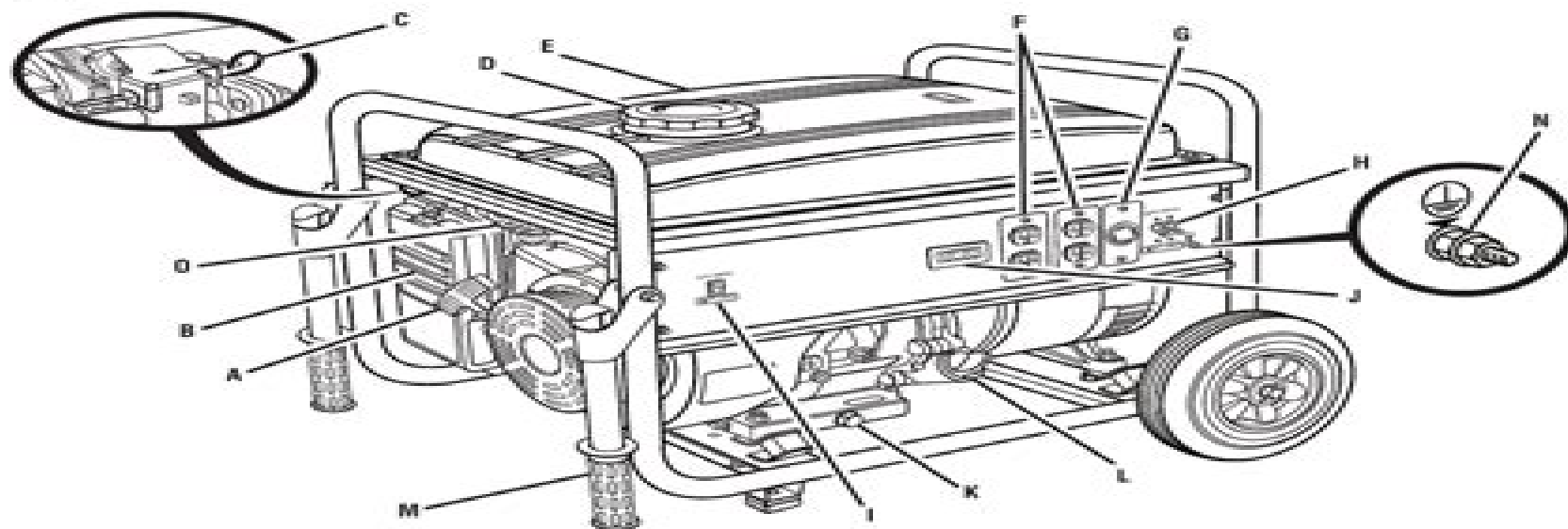


See this fold-out section for all of the figures referenced in the operator's manual.

Consulter l'encart à volets afin d'examiner toutes les figures mentionnées dans le manuel d'utilisation.

Consulte esta sección desplegable para ver todas las figuras a las que se hace referencia en el manual del operador.

Fig. 1



- A - Recoil starter grip (poignée du démarreur à rappel, mango del arrancador retráctil)
- B - Air filter (filtre à air, filtro de aire)
- C - Choke lever (levier d'étranglement, palanca del anegador)
- D - Fuel cap (bouchon de carburant, tapa del tanque)
- E - Fuel tank (réservoir de carburant, tanque de combustible)
- F - 120V AC 20 amp receptacles (prises 120 V C.A. 20 A, 120 V de CA 20 A receptáculos)
- G - 120V/240V AC 30 amp receptacles (prises 120V/240V C.A. 30 A, 120V/240V de CA 30 A receptáculos)

- H - AC circuit breaker (disjoncteur de C.A., disyuntor de circuito de CA)
- I - Engine switch (commutateur du moteur, interruptor del motor)
- J - Multifunctional digital display (afficheur numérique multifonctionnel, pantalla digital multifuncional)
- K - Oil drainage bolt (vis de vidange d'huile, perno de drenaje de aceite)
- L - Oil cap/dipstick (bouchon/jauge d'huile, tapa de relleno de aceite/varilla medidora de aceite)
- M - Handle (poignée, mango)
- N - Ground terminal (borne de terre, terminal de conexión a tierra)
- O - Fuel valve (robinet de carburant, válvula de combustible)

# Homelite Hg 50manual

**Zhe Xu**



**Homelite Hg 50manual:**

Ignite the flame of optimism with Crafted by is motivational masterpiece, Fuel Your Spirit with **Homelite Hg 50manual** . In a downloadable PDF format ( Download in PDF: \*), this ebook is a beacon of encouragement. Download now and let the words propel you towards a brighter, more motivated tomorrow.

[https://staging.conocer.cide.edu/results/Resources/Documents/jane\\_austen\\_in\\_the\\_classroom\\_viewing\\_the\\_novel\\_reading\\_the\\_film.pdf](https://staging.conocer.cide.edu/results/Resources/Documents/jane_austen_in_the_classroom_viewing_the_novel_reading_the_film.pdf)

## **Table of Contents Homelite Hg 50manual**

1. Understanding the eBook Homelite Hg 50manual
  - The Rise of Digital Reading Homelite Hg 50manual
  - Advantages of eBooks Over Traditional Books
2. Identifying Homelite Hg 50manual
  - Exploring Different Genres
  - Considering Fiction vs. Non-Fiction
  - Determining Your Reading Goals
3. Choosing the Right eBook Platform
  - Popular eBook Platforms
  - Features to Look for in an Homelite Hg 50manual
  - User-Friendly Interface
4. Exploring eBook Recommendations from Homelite Hg 50manual
  - Personalized Recommendations
  - Homelite Hg 50manual User Reviews and Ratings
  - Homelite Hg 50manual and Bestseller Lists
5. Accessing Homelite Hg 50manual Free and Paid eBooks
  - Homelite Hg 50manual Public Domain eBooks
  - Homelite Hg 50manual eBook Subscription Services
  - Homelite Hg 50manual Budget-Friendly Options

6. Navigating Homelite Hg 50manual eBook Formats
  - ePub, PDF, MOBI, and More
  - Homelite Hg 50manual Compatibility with Devices
  - Homelite Hg 50manual Enhanced eBook Features
7. Enhancing Your Reading Experience
  - Adjustable Fonts and Text Sizes of Homelite Hg 50manual
  - Highlighting and Note-Taking Homelite Hg 50manual
  - Interactive Elements Homelite Hg 50manual
8. Staying Engaged with Homelite Hg 50manual
  - Joining Online Reading Communities
  - Participating in Virtual Book Clubs
  - Following Authors and Publishers Homelite Hg 50manual
9. Balancing eBooks and Physical Books Homelite Hg 50manual
  - Benefits of a Digital Library
  - Creating a Diverse Reading Collection Homelite Hg 50manual
10. Overcoming Reading Challenges
  - Dealing with Digital Eye Strain
  - Minimizing Distractions
  - Managing Screen Time
11. Cultivating a Reading Routine Homelite Hg 50manual
  - Setting Reading Goals Homelite Hg 50manual
  - Carving Out Dedicated Reading Time
12. Sourcing Reliable Information of Homelite Hg 50manual
  - Fact-Checking eBook Content of Homelite Hg 50manual
  - Distinguishing Credible Sources
13. Promoting Lifelong Learning
  - Utilizing eBooks for Skill Development
  - Exploring Educational eBooks
14. Embracing eBook Trends
  - Integration of Multimedia Elements

- Interactive and Gamified eBooks

## **Homelite Hg 50manual Introduction**

Free PDF Books and Manuals for Download: Unlocking Knowledge at Your Fingertips In today's fast-paced digital age, obtaining valuable knowledge has become easier than ever. Thanks to the internet, a vast array of books and manuals are now available for free download in PDF format. Whether you are a student, professional, or simply an avid reader, this treasure trove of downloadable resources offers a wealth of information, conveniently accessible anytime, anywhere. The advent of online libraries and platforms dedicated to sharing knowledge has revolutionized the way we consume information. No longer confined to physical libraries or bookstores, readers can now access an extensive collection of digital books and manuals with just a few clicks. These resources, available in PDF, Microsoft Word, and PowerPoint formats, cater to a wide range of interests, including literature, technology, science, history, and much more. One notable platform where you can explore and download free Homelite Hg 50manual PDF books and manuals is the internet's largest free library. Hosted online, this catalog compiles a vast assortment of documents, making it a veritable goldmine of knowledge. With its easy-to-use website interface and customizable PDF generator, this platform offers a user-friendly experience, allowing individuals to effortlessly navigate and access the information they seek. The availability of free PDF books and manuals on this platform demonstrates its commitment to democratizing education and empowering individuals with the tools needed to succeed in their chosen fields. It allows anyone, regardless of their background or financial limitations, to expand their horizons and gain insights from experts in various disciplines. One of the most significant advantages of downloading PDF books and manuals lies in their portability. Unlike physical copies, digital books can be stored and carried on a single device, such as a tablet or smartphone, saving valuable space and weight. This convenience makes it possible for readers to have their entire library at their fingertips, whether they are commuting, traveling, or simply enjoying a lazy afternoon at home. Additionally, digital files are easily searchable, enabling readers to locate specific information within seconds. With a few keystrokes, users can search for keywords, topics, or phrases, making research and finding relevant information a breeze. This efficiency saves time and effort, streamlining the learning process and allowing individuals to focus on extracting the information they need. Furthermore, the availability of free PDF books and manuals fosters a culture of continuous learning. By removing financial barriers, more people can access educational resources and pursue lifelong learning, contributing to personal growth and professional development. This democratization of knowledge promotes intellectual curiosity and empowers individuals to become lifelong learners, promoting progress and innovation in various fields. It is worth noting that while accessing free Homelite Hg 50manual PDF books and manuals is convenient and cost-effective, it is vital to respect copyright laws and intellectual property rights. Platforms offering free downloads often operate within legal boundaries, ensuring that

the materials they provide are either in the public domain or authorized for distribution. By adhering to copyright laws, users can enjoy the benefits of free access to knowledge while supporting the authors and publishers who make these resources available. In conclusion, the availability of Homelite Hg 50manual free PDF books and manuals for download has revolutionized the way we access and consume knowledge. With just a few clicks, individuals can explore a vast collection of resources across different disciplines, all free of charge. This accessibility empowers individuals to become lifelong learners, contributing to personal growth, professional development, and the advancement of society as a whole. So why not unlock a world of knowledge today? Start exploring the vast sea of free PDF books and manuals waiting to be discovered right at your fingertips.

### **FAQs About Homelite Hg 50manual Books**

**What is a Homelite Hg 50manual PDF?** A PDF (Portable Document Format) is a file format developed by Adobe that preserves the layout and formatting of a document, regardless of the software, hardware, or operating system used to view or print it. **How do I create a Homelite Hg 50manual PDF?** There are several ways to create a PDF: Use software like Adobe Acrobat, Microsoft Word, or Google Docs, which often have built-in PDF creation tools. Print to PDF: Many applications and operating systems have a "Print to PDF" option that allows you to save a document as a PDF file instead of printing it on paper. Online converters: There are various online tools that can convert different file types to PDF. **How do I edit a Homelite Hg 50manual PDF?** Editing a PDF can be done with software like Adobe Acrobat, which allows direct editing of text, images, and other elements within the PDF. Some free tools, like PDFescape or Smallpdf, also offer basic editing capabilities. **How do I convert a Homelite Hg 50manual PDF to another file format?** There are multiple ways to convert a PDF to another format: Use online converters like Smallpdf, Zamzar, or Adobe Acrobats export feature to convert PDFs to formats like Word, Excel, JPEG, etc. Software like Adobe Acrobat, Microsoft Word, or other PDF editors may have options to export or save PDFs in different formats. **How do I password-protect a Homelite Hg 50manual PDF?** Most PDF editing software allows you to add password protection. In Adobe Acrobat, for instance, you can go to "File" -> "Properties" -> "Security" to set a password to restrict access or editing capabilities. Are there any free alternatives to Adobe Acrobat for working with PDFs? Yes, there are many free alternatives for working with PDFs, such as: LibreOffice: Offers PDF editing features. PDFsam: Allows splitting, merging, and editing PDFs. Foxit Reader: Provides basic PDF viewing and editing capabilities. How do I compress a PDF file? You can use online tools like Smallpdf, ILovePDF, or desktop software like Adobe Acrobat to compress PDF files without significant quality loss. Compression reduces the file size, making it easier to share and download. Can I fill out forms in a PDF file? Yes, most PDF viewers/editors like Adobe Acrobat, Preview (on Mac),

or various online tools allow you to fill out forms in PDF files by selecting text fields and entering information. Are there any restrictions when working with PDFs? Some PDFs might have restrictions set by their creator, such as password protection, editing restrictions, or print restrictions. Breaking these restrictions might require specific software or tools, which may or may not be legal depending on the circumstances and local laws.

**Find Homelite Hg 50manual :**

**jane austen in the classroom. viewing the novel /reading the film**

**japan today**

*japanese culture its development & characteristics*

**japonica magnifica**

*japanese struggle for world empire*

**japans economy in war and reconstruction**

*janes security and co-in equipment 1994-95 janes police and security equipment*

*janz county*

*japan prepares for total war the search for economic security 1919-1941*

*james thomson essays for the tercentenary*

*janes all the worlds aircraft 2003-2004*

*japan trade directory 199798 japan trade directory*

*jan messents world of embroidery*

*japan volume of ... ebrey-east asia a cultural social and political history*

**japanese the spoken language part 2**

**Homelite Hg 50manual :**

*1 name kenneth r miller department of molecular biology cell - Aug 26 2022*

*web prentice hall biology biology biology miller and levine dragonfly prentice hall downloaded from portal nivbook co il by*

*guest yazmin jackson biology prentice hall*

*louvre müzesi nde bir gece leonardo da vinci sinemalar com - Nov 16 2021*

**on line resources for the dragonfly book miller and levine com - Oct 08 2023**



web there s a web page for each chapter which you can access from the chapter navigation tool and we ve provided links to at least 4 categories of resource from our publisher

**prentice hall biology online textbook srm com** - Feb 17 2022

**miller and levine dragonfly prentice hall** - Apr 21 2022

web authors kenneth miller and joseph levine continue to set the standard prentice hall biology delivers clear accessible writing up to date content a student friendly approach

**biology by miller levine** - Apr 02 2023

web chapter 1 of the prentice hall biology book by miller and levine 2002 it s the one with a dragonfly on the cover this includes vocabulary and key id

**miller levine biology free download borrow and** - Jul 05 2023

web welcome to the dragonfly book we established this web site to support our dragonfly book first published in 2002 when the book was current we established web pages to

*miller levine the dragonfly book* - May 03 2023

web aug 18 2011 boston prentice hall 2010 isbn 10 0 13 369343 0 metrics details our old set of miller and levine dragonfly biology textbooks had all the signs of well

prentice hall biology book by kenneth r miller thriftbooks - Oct 28 2022

web miller levine dragonfly correlation pdf the home scientist thehomescientist com books miller levine dragonfly correlation pdf biology miller levine dragonfly

*biology chapter 1 the science of biology flashcards quizlet* - Nov 28 2022

web kenneth raymond miller joseph s levine prentice hall staff pearson 2003 biology 1146 pages authors kenneth miller and joseph levine continue to set the standard for

miller and levine dragonfly prentice hall ai classmonitor com - Dec 18 2021

powerpoints dragonfly book prent biology junction - Sep 07 2023

web powerpoints dragonfly book prentice hall science of biology 1 1 1 2 1 3 1 4 introduction to genetics 1 1 1 2 1 3 1 4 fungi 1 1 1 2 1 3 chemistry of life 1 1 1 2 1 3 1

prentice hall dragonfly biology ead3 archivists org - Sep 26 2022

web prentice hall biology delivers clear accessible writing up to date content a student friendly approach a powerful framework for connecting key concepts pearson prentice

*the dragonfly book miller and levine com* - Aug 06 2023

web by miller levine table of contents unit 1 the nature of life chapter 1 the science of biology chapter 2 the chemistry of life unit 2 ecology chapter 3 the biosphere

dragonfly podcasts by miller levine - Jan 31 2023

web approach authors kenneth miller and joseph levine continue to set the standard prentice hall biology delivers clear accessible writing up to date content a student friendly

**prentice hall miller levine biology laboratory manual a for** - Jul 25 2022

web slowly life is getting back to normal molly has just said i love you to her new boyfriend ian and they are off on a romantic european vacation together starting with scenic london

*the macaw biology program outstanding content inspired* - Dec 30 2022

web dragonfly book miller k r j s levine 2006 biology prentice hall co 1041 p 2006 revision of dragonfly book miller k r j s levine 2008 biology

**pdf biology by miller and levine pdf biology pdf pdfprof com** - Jun 23 2022

web prentice hall international series in computer science prentice hall international question last year we had a link for the biology online textbook but this year the

dragonfly textbook reading guides the biology - Jun 04 2023

web sep 2 2014 i have gotten down to the prentice hall miller and levine biology books the dragonfly is a little older and less expensive and the macaw is more expensive

**miller and levine dragonfly prentice hall 2023 ceu social** - Jan 19 2022

**miller and levine dragonfly prentice hall pivotid uvu** - Mar 21 2022

web louvre müzesi nde bir gece leonardo da vinci filminin özeti yorumları oyuncularını ve seansları hakkında bilgilere ulaşmak film fragmanını izlemek için tıklayın

miller and levine dragonfly prentice hall db csda - May 23 2022

web pages of miller and levine dragonfly prentice hall a mesmerizing literary creation penned with a celebrated wordsmith readers embark on an enlightening odyssey

**miller levine biology dragonfly or macaw textbooks** - Mar 01 2023

web buy a cheap copy of prentice hall biology book by kenneth r miller miller levine biology curriculum high school the respected author team of ken miller and joe

**engineering mechanics dynamics solution manual 1st edition** - May 11 2023

web engineering mechanics dynamics solution manual 1st edition by gary l gray francesco costanzo michael e plesha holooly com engineering

**engineering mechanics statics michael plesha gary gray** - Sep 22 2021

*ebook engineering mechanics dynamics si units* - Mar 29 2022

web engineering mechanics dynamics print copy engineering mechanics dynamics 3rd edition isbn10 1264979746 isbn13 9781264979745 by gary gray francesco

**engineering mechanics dynamics by gary gray francesco** - Aug 02 2022

web download free engineering mechanics dynamics by gray 1st edition solution manual answers ebook pdf gary francesco costanzo michael plesha

engineering mechanics dynamics gary l gray google books - Jul 01 2022

web apr 16 2009 the first new mainstream text in engineering mechanics in nearly twenty years plesha gray and costanzo s engineering mechanics statics and dynamics

**engineering mechanics statics and dynamics 2nd edition** - Feb 25 2022

web engineering mechanics statics and dynamics is the problem solver s approach for tomorrow s engineers based upon a great deal of classroom teaching experience

**engineering mechanics dynamics 1st edition** - Apr 10 2023

web solutions manual engineering mechanics dynamics 1st edition gary l gray the pennsylvania state university francesco costanzo the pennsylvania sta

engineering mechanics dynamics gary gray pdf scribd - Oct 04 2022

web engineering mechanics gary l gray published by mcgraw hill higher education 2011 isbn 10 0071311106 isbn 13 9780071311106

engineering mechanics dynamics 3rd edition mcgraw hill - Dec 26 2021

web mar 9 2009 plesha gray and costanzo s engineering mechanics statics dynamics presents the fundamental concepts clearly in a modern context using applications and

*engineering mechanics dynamics gray gary l archive org* - Aug 14 2023

web xxix 768 pages 26 cm plesha gray and costanzo s engineering mechanics presents the fundamental concepts in a modern context using applications and pedagogical

engineering mechanics statics and dynamics mcgraw hill - Nov 24 2021

**solution manual of engineering mechanics dynamics 1st edition** - Jul 13 2023

web gioumeh com product engineering mechanics dynamics solution authors gary gray francesco costanzo michael plesha published mcgraw edition 1st

**engineering mechanics dynamics by gary gray** - Jan 27 2022

web apr 16 2009 gary l gray francesco costanzo michael e plesha mcgraw hill 2011 dynamics 768 pages plesha gray and costanzo s engineering mechanics

**dynamics solns ch04 solutions manual engineering** - Feb 08 2023

web description mechanics courses tend to provide engineering students with a precise mathematical but less than engaging experience students often view the traditional

**engineering mechanics dynamics gary gray francesco** - Nov 05 2022

web well engineering mechanics dynamics file engineering mechanics dynamics gary l gray solutions pdf pdf register free to download files file name engineering

engineering mechanics dynamics 1st edition textbook solutions - Jun 12 2023

web it s easier to figure out tough problems faster using chegg study unlike static pdf engineering mechanics dynamics 1st edition solution manuals or printed answer

*engineering mechanics dynamics gary l gray francesco* - Oct 24 2021

**engineering mechanics dynamics 1st edition kipdf com** - Mar 09 2023

web jan 19 2012 gray costanzo plesha s engineering mechanics 2e is the problem solver s approach for tomorrow s engineers based upon a great deal of classroom

**engineering mechanics dynamics 1st edition wiley** - Dec 06 2022

web solutions manual engineering mechanics dynamics 1st edition gary l gray the pennsylvania state university francesco costanzo the pennsylvania state 2

amazon com engineering mechanics dynamics - Jan 07 2023

web apr 16 2009 plesha gray and costanzo s engineering mechanics statics dynamics presents the fundamental concepts clearly in a modern context using applications and

*engineering mechanics statics and dynamics 1st edition* - Apr 29 2022

web find step by step solutions and answers to engineering mechanics statics and dynamics 9780077570613 as well as thousands of textbooks so you can move

**engineering mechanics dynamics gray plesha 1st edition** - May 31 2022

web aug 16 2011 plesha gray and costanzo s engineering mechanics statics dynamics presents the fundamental concepts clearly in a modern context using applications and

[engineering mechanics dynamics gary l gray solutions](#) - Sep 03 2022

web engineering mechanics dynamics francesco costanzo isbn 0077275543 9780077275549 author gary l gray publisher mcgraw hill 2010 isbn

[vergangene tage in cinnamon falls 2022 stage gapinc](#) - Nov 11 2022

web traumhochzeit in cinnamon falls chloe und keanu können es kaum erwarten den bund der ehe einzugehen die hochschwangere julie ist mindestens ebenso aufgereggt und freut sich gemeinsam mit michael auf das baby lorraine erinnert sich an vergangene tage und an geheimnisse die niemals ans licht kommen dürfen während ganz cinnamon falls

**vergangene tage in cinnamon falls volume 3 german** - Jan 13 2023

web vergangene tage in cinnamon falls volume 3 german edition inusa manuela amazon sg books

**buchjunkies cinnamon falls** - Dec 12 2022

web weihnachten in cinnamon falls neuanfang in cinnamon falls vergangene tage in cinnamon falls traumhochzeit in cinnamon falls heimkehr nach cinnamon falls

[singapore history and timeline insight guides](#) - Mar 03 2022

web singapore history and timeline singapore s role as a 21st century hub for global growth is a throwback to its earliest days as a pivotal east west trading post and rendezvous point for merchants and sailors one of asia s most successful economies has gone far beyond what sir stamford raffles its founder envisioned when he bought the

**vergangene tage in cinnamon falls by manuela inusa** - Oct 10 2022

web vergangene tage in cinnamon falls von manuela inusa bei may 10th 2020 inhaltsangabe zu vergangene tage in cinnamon falls maya mit fast sechzehn jahren das nesthäkchen der familie holiday ist wohl die einzige einwohnerin von cinnamon falls die sich nicht wohl fühlt in der idylle des kleinen

[downloadable free pdfs vergangene tage in cinnamon falls](#) - Sep 09 2022

web vergangene tage in cinnamon falls fall apples aug 17 2021 let s go to the apple orchard find out how apples grow see the many things we do with apples taste some cider and apple pie yum what happens in fall find out in the fall s here series part of the cloverleaf bookstm collection

[vergangene tage in cinnamon falls volume 3 german](#) - Mar 15 2023

web vergangene tage in cinnamon falls volume 3 german edition inusa manuela amazon com au books

**loading interface goodreads** - Feb 14 2023

web discover and share books you love on goodreads

**the fall of singapore timeline timetoast timelines** - May 05 2022

web doolittle raid timeline pearl harbor battle at midway ww2 events pacific july 26 1941 dec 11 1945 world war 2 american and japanese perspective pacific theater by rebekah mannies the 1940 s the life of jok wing chow pacific theater timeline

**vergangene tage in cinnamon falls by manuela inusa** - Aug 08 2022

web in cinnamon falls teil 2 neuanfang in cinnamon falls teil 3 vergangene tage in cinnamon falls teil 4 traumhochzeit in cinnamon fallsteil 5 heimkehr nach cinnamon falls erscheint am 10 august 2015 orientation sutd edu sg 1 3

**timeline of singaporean history wikipedia** - Jul 07 2022

web year date event 1901 1 january singapore kranji railway officially opened to the public 5 november sir frank swettenham was appointed as the governor of the straits settlements 1904 16 april sir john anderson was appointed as the governor of the straits settlements 1905 1 june singapore change its time zone to gmt 07 00 from the

**vergangene tage in cinnamon falls amazon de** - Aug 20 2023

web vergangene tage in cinnamon falls inusa manuela isbn 9781507691601 kostenloser versand für alle bücher mit versand und verkauf duch amazon

**amazon co uk customer reviews vergangene tage in cinnamon falls** - Apr 16 2023

web find helpful customer reviews and review ratings for vergangene tage in cinnamon falls volume 3 at amazon com read honest and unbiased product reviews from our users

**cinnamon falls series by manuela inusa goodreads** - Sep 21 2023

web vergangene tage in cinnamon falls by manuela inusa 3 74 19 ratings 1 reviews published 2015 2 editions maya mit fast sechzehn jahren das nesthäkchen der want to read rate it book 4 traumhochzeit in cinnamon falls by manuela inusa 3 38 16 ratings published 2015 2 editions traumhochzeit in cinnamon falls chloe und

*vergangene tage in cinnamon falls anna s archive* - Jul 19 2023

web german de epub 0 3mb inusa manuela vergangene tage in cinnamon falls epub

**vergangene tage in cinnamon falls copy cyberlab sutd edu sg** - Jun 06 2022

web vergangene tage in cinnamon falls the london medical dictionary nov 11 2020 northwest gardener s handbook jan 14 2021 get the complete guide to gardening in oregon washington northern california british columbia you ll get when to information problem solving help the tropical agriculturist sep 02 2022

**vergangene tage in cinnamon falls german edition** - Jun 18 2023

web jan 30 2015 amazon com vergangene tage in cinnamon falls german edition 9781507691601 inusa manuela books

**vergangene tage in cinnamon falls copy uniport edu** - Apr 04 2022

web may 21 2023 vergangene tage in cinnamon falls in addition to it is not directly done you could acknowledge even more

vis vis this life something like the world we offer you this proper as well as easy artifice to get those all we come up with the money for vergangene tage in cinnamon falls and numerous ebook

**vergangene tage in cinnamon falls by manuela inusa goodreads** - Oct 22 2023

web vergangene tage in cinnamon falls book read reviews from world s largest community for readers maya mit fast sechzehn jahren das nesthäkchen der famil

**vergangene tage in cinnamon falls volume 3 paperback** - May 17 2023

web buy vergangene tage in cinnamon falls volume 3 by inusa manuela from amazon s fiction books store everyday low prices on a huge range of new releases and classic fiction