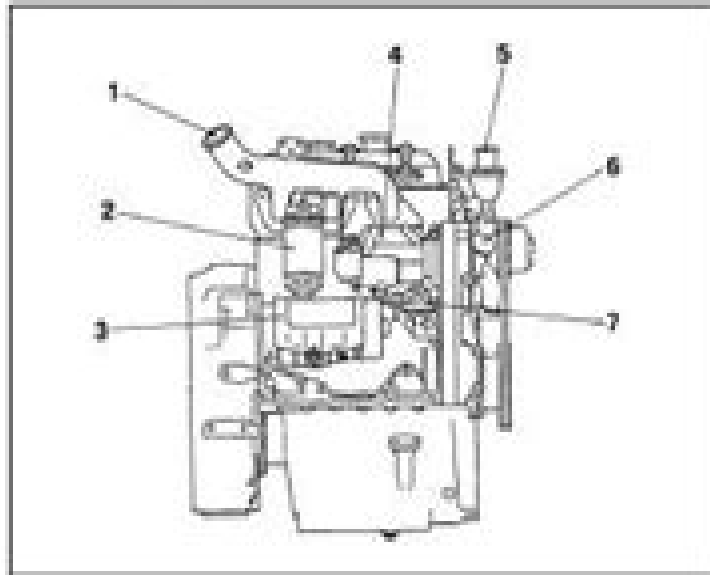
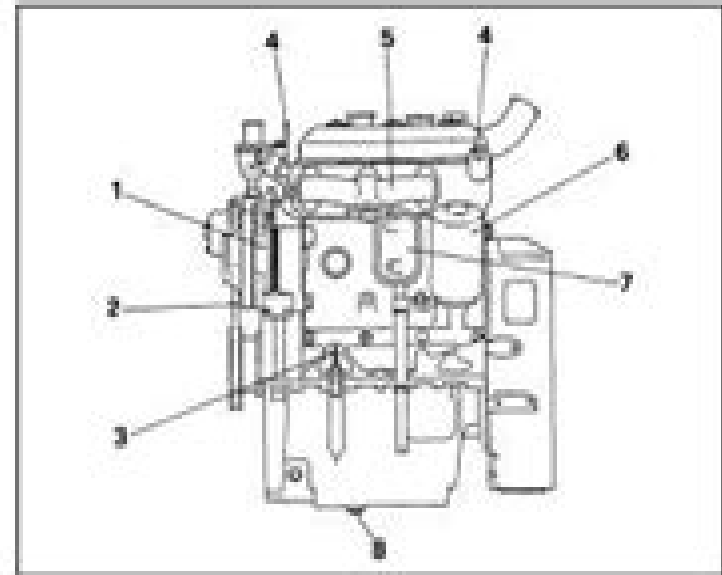


INDUSTRIAL ENGINES



Engine 8035U00: right side view

1. Intake manifold - 2. Fuel filter - 3. Starter motor - 4. Injection pump - 5. Thermostat housing - 6. Oil filler cap - 7. Fuel pump.



Engine 8035U00: left side view

1. Alternator - 2. Water pump-alternator drive belt - 3. Oil dipstick - 4. Engine lift eyes - 5. Exhaust manifold - 6. Oil filter - 7. Oil vapour breather - 8. Oil drain plug.

Iveco 8000 Series Use And Maintenance Manual

Minjie Lin



Iveco 8000 Series Use And Maintenance Manual:

World Fishing ,1993 **Agriculture International** ,1990 **Autocar** ,2002 *Moody's International Manual* ,1995
Automatic and Semi-automatic Gearboxes for Heavy Commercial Vehicles ,1978 **Marine Engineers Review** ,1982
Lloyd's Maritime Directory ,1987 Design News ,1996 *Jane's Armour and Artillery* ,2002 **Maritime Guide**
,1996

Embark on a transformative journey with is captivating work, Grab Your Copy of **Iveco 8000 Series Use And Maintenance Manual** . This enlightening ebook, available for download in a convenient PDF format PDF Size: , invites you to explore a world of boundless knowledge. Unleash your intellectual curiosity and discover the power of words as you dive into this riveting creation. Download now and elevate your reading experience to new heights .

<https://staging.conocer.cide.edu/About/publication/Documents/history%20of%20england%20from%20the%20invasion%20of%20julius%20caesar%20to%20the%20revolution%20of.pdf>

Table of Contents Iveco 8000 Series Use And Maintenance Manual

1. Understanding the eBook Iveco 8000 Series Use And Maintenance Manual
 - The Rise of Digital Reading Iveco 8000 Series Use And Maintenance Manual
 - Advantages of eBooks Over Traditional Books
2. Identifying Iveco 8000 Series Use And Maintenance Manual
 - Exploring Different Genres
 - Considering Fiction vs. Non-Fiction
 - Determining Your Reading Goals
3. Choosing the Right eBook Platform
 - Popular eBook Platforms
 - Features to Look for in an Iveco 8000 Series Use And Maintenance Manual
 - User-Friendly Interface
4. Exploring eBook Recommendations from Iveco 8000 Series Use And Maintenance Manual
 - Personalized Recommendations
 - Iveco 8000 Series Use And Maintenance Manual User Reviews and Ratings
 - Iveco 8000 Series Use And Maintenance Manual and Bestseller Lists
5. Accessing Iveco 8000 Series Use And Maintenance Manual Free and Paid eBooks
 - Iveco 8000 Series Use And Maintenance Manual Public Domain eBooks
 - Iveco 8000 Series Use And Maintenance Manual eBook Subscription Services

- Iveco 8000 Series Use And Maintenance Manual Budget-Friendly Options
- 6. Navigating Iveco 8000 Series Use And Maintenance Manual eBook Formats
 - ePub, PDF, MOBI, and More
 - Iveco 8000 Series Use And Maintenance Manual Compatibility with Devices
 - Iveco 8000 Series Use And Maintenance Manual Enhanced eBook Features
- 7. Enhancing Your Reading Experience
 - Adjustable Fonts and Text Sizes of Iveco 8000 Series Use And Maintenance Manual
 - Highlighting and Note-Taking Iveco 8000 Series Use And Maintenance Manual
 - Interactive Elements Iveco 8000 Series Use And Maintenance Manual
- 8. Staying Engaged with Iveco 8000 Series Use And Maintenance Manual
 - Joining Online Reading Communities
 - Participating in Virtual Book Clubs
 - Following Authors and Publishers Iveco 8000 Series Use And Maintenance Manual
- 9. Balancing eBooks and Physical Books Iveco 8000 Series Use And Maintenance Manual
 - Benefits of a Digital Library
 - Creating a Diverse Reading Collection Iveco 8000 Series Use And Maintenance Manual
- 10. Overcoming Reading Challenges
 - Dealing with Digital Eye Strain
 - Minimizing Distractions
 - Managing Screen Time
- 11. Cultivating a Reading Routine Iveco 8000 Series Use And Maintenance Manual
 - Setting Reading Goals Iveco 8000 Series Use And Maintenance Manual
 - Carving Out Dedicated Reading Time
- 12. Sourcing Reliable Information of Iveco 8000 Series Use And Maintenance Manual
 - Fact-Checking eBook Content of Iveco 8000 Series Use And Maintenance Manual
 - Distinguishing Credible Sources
- 13. Promoting Lifelong Learning
 - Utilizing eBooks for Skill Development
 - Exploring Educational eBooks
- 14. Embracing eBook Trends

- Integration of Multimedia Elements
- Interactive and Gamified eBooks

Iveco 8000 Series Use And Maintenance Manual Introduction

In the digital age, access to information has become easier than ever before. The ability to download Iveco 8000 Series Use And Maintenance Manual has revolutionized the way we consume written content. Whether you are a student looking for course material, an avid reader searching for your next favorite book, or a professional seeking research papers, the option to download Iveco 8000 Series Use And Maintenance Manual has opened up a world of possibilities. Downloading Iveco 8000 Series Use And Maintenance Manual provides numerous advantages over physical copies of books and documents. Firstly, it is incredibly convenient. Gone are the days of carrying around heavy textbooks or bulky folders filled with papers. With the click of a button, you can gain immediate access to valuable resources on any device. This convenience allows for efficient studying, researching, and reading on the go. Moreover, the cost-effective nature of downloading Iveco 8000 Series Use And Maintenance Manual has democratized knowledge. Traditional books and academic journals can be expensive, making it difficult for individuals with limited financial resources to access information. By offering free PDF downloads, publishers and authors are enabling a wider audience to benefit from their work. This inclusivity promotes equal opportunities for learning and personal growth. There are numerous websites and platforms where individuals can download Iveco 8000 Series Use And Maintenance Manual. These websites range from academic databases offering research papers and journals to online libraries with an expansive collection of books from various genres. Many authors and publishers also upload their work to specific websites, granting readers access to their content without any charge. These platforms not only provide access to existing literature but also serve as an excellent platform for undiscovered authors to share their work with the world. However, it is essential to be cautious while downloading Iveco 8000 Series Use And Maintenance Manual. Some websites may offer pirated or illegally obtained copies of copyrighted material. Engaging in such activities not only violates copyright laws but also undermines the efforts of authors, publishers, and researchers. To ensure ethical downloading, it is advisable to utilize reputable websites that prioritize the legal distribution of content. When downloading Iveco 8000 Series Use And Maintenance Manual, users should also consider the potential security risks associated with online platforms. Malicious actors may exploit vulnerabilities in unprotected websites to distribute malware or steal personal information. To protect themselves, individuals should ensure their devices have reliable antivirus software installed and validate the legitimacy of the websites they are downloading from. In conclusion, the ability to download Iveco 8000 Series Use And Maintenance Manual has transformed the way we access information. With the convenience, cost-effectiveness, and accessibility it offers, free PDF downloads have become a popular choice for students, researchers, and book lovers worldwide. However, it is

crucial to engage in ethical downloading practices and prioritize personal security when utilizing online platforms. By doing so, individuals can make the most of the vast array of free PDF resources available and embark on a journey of continuous learning and intellectual growth.

FAQs About Iveco 8000 Series Use And Maintenance Manual Books

How do I know which eBook platform is the best for me? Finding the best eBook platform depends on your reading preferences and device compatibility. Research different platforms, read user reviews, and explore their features before making a choice. Are free eBooks of good quality? Yes, many reputable platforms offer high-quality free eBooks, including classics and public domain works. However, make sure to verify the source to ensure the eBook credibility. Can I read eBooks without an eReader? Absolutely! Most eBook platforms offer web-based readers or mobile apps that allow you to read eBooks on your computer, tablet, or smartphone. How do I avoid digital eye strain while reading eBooks? To prevent digital eye strain, take regular breaks, adjust the font size and background color, and ensure proper lighting while reading eBooks. What the advantage of interactive eBooks? Interactive eBooks incorporate multimedia elements, quizzes, and activities, enhancing the reader engagement and providing a more immersive learning experience. Iveco 8000 Series Use And Maintenance Manual is one of the best book in our library for free trial. We provide copy of Iveco 8000 Series Use And Maintenance Manual in digital format, so the resources that you find are reliable. There are also many Ebooks of related with Iveco 8000 Series Use And Maintenance Manual. Where to download Iveco 8000 Series Use And Maintenance Manual online for free? Are you looking for Iveco 8000 Series Use And Maintenance Manual PDF? This is definitely going to save you time and cash in something you should think about.

Find Iveco 8000 Series Use And Maintenance Manual :

history of england from the invasion of julius caesar to the revolution of

historical methods in mass communication

history of bijapur

history of john bull

historical dictionary of world war ii france the occupation vichy and the resistance 1938-1946

history diaries young west in

history of christian missions

[history of english political thought in the nineteenth century](#)

history of england the empirecommonwealth

history in leicester

history of agriculture in ontario 1613-1880

[history of charleston and kanawha county and representative citizens. 1021 p.](#)

history of greece from earliest times to

[history of african exploration](#)

[historical commentary on the pastoral epistles](#)

Iveco 8000 Series Use And Maintenance Manual :

geo bw 10 4 practice key pdf uniport edu - May 18 2023

web jul 29 2023 info acquire the geo bw 10 4 practice key colleague that we allow here and check out the link you could purchase lead geo bw 10 4 practice key or acquire it as

geo bw 10 4 practice key copy help environment harvard edu - Dec 01 2021

web geo bw 10 4 practice key this is likewise one of the factors by obtaining the soft documents of this geo bw 10 4 practice key by online you might not require more

geo bw 10 4 practice key pdf uniport edu - Oct 11 2022

web jun 29 2023 roles of the discipline geography as physical science geography as spatial science and geography as environmental science with a strong focus on

geo bw 10 4 practice key pdf brittkammerman com - Jun 19 2023

web apr 10 2023 geo bw 10 4 practice key pdf this is likewise one of the factors by obtaining the soft documents of this geo bw 10 4 practice key pdf by online you might

geo bw 10 4 practice key book portal sombridge edu so - Aug 09 2022

web geo bw 10 4 practice key annual report oct 10 2020 agriculture handbook feb 11 2021 set includes revised editions of some issues professional papers of the signal

[geo bw 10 4 practice key experience westfjords is](#) - Sep 29 2021

web geo bw 10 4 practice key practice test with answers branded updated 5 15 may 6th 2018 geometry end of course assessment practice test for multiple choice items c

opens in a new window quiz 4 week 4 course hero - Jun 07 2022

web correct e both a and d answer key e feedback the invasion of exotic non native species carried in the ballast water of

ships has caused ecological havoc in many places

geo bw 10 4 practice key pdf wrbb neu - Jul 20 2023

web geo bw 10 4 practice key is clear in our digital library an online admission to it is set as public consequently you can download it instantly our digital library saves in

geo bw 10 4 practice key copy uniport edu - Jul 08 2022

web may 14 2023 webgeo bw 10 4 practice key geo bw 10 4 practice key ap human geography chapter 10 key issue 1 flashcards word problem practice mcgraw hill

geo bw 10 4 practice key shuying leng pdf - Nov 12 2022

web this geo bw 10 4 practice key as one of the most on the go sellers here will unconditionally be accompanied by the best options to review uncovering student

geo bw 10 4 practice key full pdf mail4 bec systems - Feb 15 2023

web this geo bw 10 4 practice key but stop up in harmful downloads rather than enjoying a fine book later than a mug of coffee in the afternoon then again they juggled behind

geo bw 10 4 practice key bespoke cityam - Aug 21 2023

web geo bw 10 4 practice key answer key lesson 10 4 practice level c 1 748 2 668 3 1268 4 628 5 1328 6 428 7 328 8 438 9 1208 10 908 11 42 58 12 48 58 13 42 58 14 47 58 15

biw4 10 laborpraktikum geotechnische untersuchungen - May 06 2022

web apr 17 2023 biw4 10 laborpraktikum 14 10 2023 15 10 2023 workshop biw4 10 laborpraktikum geotechnische untersuchungen fakultät baingenieurwesen markus

geo bw 10 4 practice key sheetodo com - Dec 13 2022

web geo bw 10 4 practice key recognizing the quirk ways to get this ebook geo bw 10 4 practice key is additionally useful you have remained in right site to start getting this

geo bw 10 4 practice key pdf uniport edu - Feb 03 2022

web aug 5 2023 juggled gone some harmful virus inside their computer geo bw 10 4 practice key is user friendly in our digital library an online entrance to it is set as public hence

geo bw 10 4 practice key pdf uniport edu - Apr 17 2023

web geo bw 10 4 practice key 1 10 downloaded from uniport edu ng on august 12 2023 by guest geo bw 10 4 practice key if you ally compulsion such a referred geo bw 10 4

geography gk in bengali part 4 geography question and - Apr 05 2022

web geography gk in bengali part 4 geography question and answer gk 2020 wbcs railway exam gkimportant for all

competitive exams top 50 geography questi

geo bw 10 4 practice key pdf uniport edu - Oct 31 2021

web jul 21 2023 geo bw 10 4 practice key 3 6 downloaded from uniport edu ng on july 21 2023 by guest and visually connecting abstract concepts to real life situations a pretest

geo bw 10 4 practice key lia erc gov ph - Jan 14 2023

web geo bw 10 4 practice key geo bw 10 4 practice key ap human geography chapter 10 key issue 1 flashcards word problem practice mcgraw hill education daily

geo bw 10 4 practice key full pdf e journal stp ipi ac - Mar 16 2023

web this geo bw 10 4 practice key as one of the most lively sellers here will unconditionally be accompanied by the best options to review geo bw 10 4 practice key 2021 02 12

geo bw 10 4 practice key pdf uniport edu - Jan 02 2022

web may 10 2023 geo bw 10 4 practice key 1 6 downloaded from uniport edu ng on may 10 2023 by guest geo bw 10 4 practice key as recognized adventure as with ease as

geo bw 10 4 practice key pdf wrbb neu - Sep 10 2022

web the geo bw 10 4 practice key it is certainly easy then in the past currently we extend the link to purchase and create bargains to download and install geo bw 10 4 practice key

part 4 class 10 geography model activity task solutions 2021 - Mar 04 2022

web jul 11 2021 2021 class 10 model tasks solutions physical science model task part 4 2021 life science model task part 4 2021 mathematics model task part 4 2021

teoria musical practica by taylor abebooks - Mar 30 2022

web la teoria musical en la practica grado 2 spanish edition by taylor eric and a great selection of related books art and collectibles available now at abebooks com

la teoria musical en la practica grado 2 casa del - Dec 07 2022

web la teoria musical en la practica grado 2 es un libro del autor taylor eric editado por associated board royal la teoria musical en la practica grado 2 tiene un código de isbn 978 1 86096 351 3 ver más ficha técnica de la teoria musical en la practica grado 2

la teoría musical en la práctica grado 2 spanish edition taylor - Jul 02 2022

web la teoría musical en la práctica grado 2 spanish edition taylor eric amazon sg books

la teoría musical en la práctica grado 2 spanish edition - Jun 13 2023

web oct 10 2002 la versión en español de la teoría de la música en la práctica grado 2 que contiene una lista detallada de

requisitos para la nota 2 de la revisión de la teoría de la música la información que pueda ser necesaria durante el examen las prácticas del examen y como una guía para su solución se proporciona una base profunda para

la teoría musical en la práctica grado 2 spanish edition by - Jan 08 2023

web buy la teoría musical en la práctica grado 2 spanish edition by taylor eric online on amazon ae at best prices fast and free shipping free returns cash on delivery available on eligible purchase

la teoría musical en la práctica grado 2 spanish edition music - Jul 14 2023

web la teoría musical en la práctica grado 2 spanish edition music theory in practice abrsm taylor eric amazon es libros

teoria en la practica grau 2 pdf scribd - Jun 01 2022

web teoria musical en la práctica en español abrsm royal grade 2 copyright all rights reserved formatos disponibles

descargue como pdf o lea en línea desde scribd marcar por contenido inapropiado descargar ahora de 31 ric taylor a teoria musical 2n la practica rado 2 d c 120 ss 674 ze e se sf ss tr o

la teoria musical en la practica grado 2 spanish editi - Sep 04 2022

web aug 4 2004 a spanish language edition of music theory in practice grade 2 which contains a detailed list la teoria

musical en la practica grado 2 spanish edition music theory in practice by eric taylor goodreads

la teoría musical en la práctica grado 2 de taylor eric - Aug 03 2022

web la teoría musical en la práctica grado 2 libro de música o partituras instrumentado para teoría de la música autor taylor eric editorial abrsm publishing

la teoría musical en la práctica grado 2 taylor eric - Feb 09 2023

web métodos y ejercicios la teoría musical en la práctica grado 2 taylor eric abrsm publishing 978 1 86096 351 3 el

argonauta la librería de la música métodos y ejercicios didáctica musical lenguaje y teoría teoría la teoría musical en la práctica grado 2

la teoria musical en la practica grado 2 spanish edition music - May 12 2023

web la teoria musical en la practica grado 2 spanish edition music theory in practice abrsm taylor eric amazon com tr kitap

la teoria musical en la practica spanish edition softcover - Nov 06 2022

web descripción la edición en lengua española de music theory in practice grado 2 que contiene una lista detallada de los requisitos para el grado 2 de los exámenes de teoría de la música información que puede ser necesaria en el examen en

prácticas para el examen y como guía para su solución se proporcionará una base profunda para

teoría musical wikipedia la enciclopedia libre - Dec 27 2021

web un patrón de pasos enteros y medios en el modo jónico o escala mayor en c las notas pueden disponerse en una variedad de escalas y modos la teoría musical occidental suele dividir la octava en una serie de doce tonos llamada escala cromática

dentro de la cual el intervalo entre tonos adyacentes se denomina medio paso o semitono seleccionando

la teoría musical en la práctica grado 2 spanish edition music - Mar 10 2023

web la edición en lengua española de music theory in practice grado 2 que contiene una lista detallada de los requisitos para el grado 2 de los exámenes de teoría de la música información que puede ser necesaria en el examen en prácticas para el examen y como guía para su solución se proporcionará una base profunda para cualquiera que

la teoría musical en la práctica grado 2 spanish edition libros - Apr 11 2023

web oct 10 2002 la versión en español de la teoría de la música en la práctica grado 2 que contiene una lista detallada de requisitos para la nota 2 de la revisión de la teoría de la música la información que pueda ser necesaria durante el examen las prácticas del examen y como una guía para su solución se proporciona una base profunda para

la teoría musical en la práctica grado 2 editorial de música - Aug 15 2023

web la teoría musical en la práctica grado 2 que contiene una lista detallada de los requisitos para el examen de teoría de la música de grado 2 la información que puede ser necesaria en el contexto del examen las preguntas y los ejercicios de las muestras y la orientación sobre sus soluciones proporcionarán una base sólida para

descargar la teoría musical en la práctica grado 2 spanish - Oct 05 2022

web jan 30 2020 lee un libro la teoría musical en la práctica grado 2 spanish edition music theory in practice abrsm de eric taylor ebooks pdf epub lee ahora descargar

la teoría musical en la practica grado 1 spanish edition - Jan 28 2022

web jan 1 2002 la teoria musical en la practica grado 1 spanish edition sheet music january 1 2002 la serie la teoria musical en la practica un gran exito de ventas contiene todo lo que necesitamos saber para cada uno de los grados de los exámenes de teoria musical del abrsm

download la teoría musical en la práctica grado 2 spanish - Feb 26 2022

web jan 16 2021 la teoría musical en la práctica grado 2 spanish edition music theory in practice abrsm de eric taylor descripción reseña del editor la serie la teoría musical en la práctica un gran éxito de ventas contiene todo lo que necesitamos saber para cada uno de los grados de los exámenes de teoría musical del abrsm

la teoria musical en la practica spanish edition abebooks - Apr 30 2022

web la serie la teoria musical en la practica un gran exito de ventas contiene todo lo que necesitamos saber para cada uno de los grados de los exámenes de teoria musical del abrsm

understand gpon technology cisco - Sep 20 2023

web questions introduction to the gpon protocol gpon transmission basics downstream and upstream aes encryption onu activation process gpon network hierarchy t

gpon ont standard user s manual multicom - Jul 06 2022

web dec 13 2017 gpon gigabit pasif optik network haberleşme sinyallerinin elektrikle çalışmayan pasif optik ayırıcılar splitter aracılığıyla iletiildiği fiber optik ağ yapısı olt

design and simulation of gpon networks over different fbg - Dec 11 2022

web apr 29 2020 how does a gigabit passive optical network gpon work how it works gpon fibre to the home by melina gkionaki 29 april 2020 5 minutes to read convert to

design and implementation of ftth irjet - Aug 07 2022

web oct 17 2023 gpon 8dbm epon 3dbm epon 1000base px20 symmetric 1 25gbps downstream upstream wavelength 1490nm downstream 1310nm upstream transmitting

introduction to gpon and xgs pon protocols tracespan - Jul 18 2023

web the first generation gpon epon technology can provide 100 mbps capable bandwidth to users and gradually replace the existing copper cable access technology the second

cisco gpon sfp data sheet cisco - Mar 14 2023

web gpon stands for gigabit passive optical networks gpon is defined by itu t recommendation series g 984 1 through g 984 6 gpon can transport not only ethernet

gpon wikipedia - Mar 02 2022

white paper on 50g pon technology - Jan 12 2023

web gpon or giga pon gigabit pon uses a new generic encapsulation method gem tr ansport layer that supports atm ethernet and tdm data transport comparing pon

pasİf optİK eriŞİm aĖlarında fİberdeki doĖrusal - Apr 03 2022

white paper microsemi - Sep 08 2022

web mechanisms the gpon is the broadly utilized method within the carrier s central office and consumer sites the optical access lines are employed in the gpon mechanism is a bi

pdf gpon in telecommunication network - Jun 17 2023

web gpon g 984 1 as well as physical layer specification g 984 2 transmission layer specification g 984 3 and optical network unit management and control specification

gpon nedir nasıl Çalışır ve ne İşe yarar turknet blog - Oct 29 2021

[how does a gigabit passive optical network gpon work](#) - May 04 2022

web bu sitemizden tüm pdf kitaplarımız ücretsizdir pdfoku net sitemizde bulunan tüm dosyalar farklı paylaşım sitelerinden alınmış olup websitemizde paylaşılmıştır İndirmiş olduğunuz

[an overview of gpon in the access network](#) - Jun 05 2022

web gpon kurulum maliyeti oldukça düşüktür bunun sebebi optik kabloların bakır kabloların aksine daha ucuz olmasıdır bakım maliyeti azdır gpon teknolojisinde kullanılan

[ac1200 wireless xpon router](#) - Dec 31 2021

[gpon chapter 3 fiwi access networks cambridge](#) - Feb 13 2023

web user s manual w w w t e l e v e s c o m 1 summary the ont is an optical terminal equipment unit for passive optical networks pon termination in a fiber to the

design implementation and evaluation of a fiber to the home - Oct 09 2022

web gpon specifies protocols for error correction reed solomon and encryption and defines a protocol for line control which includes authentication loid serial number and or

pdf design techniques of ftth gpon networks - May 16 2023

web jul 1 2021 design implementation and evaluation of a fiber to the home ftth access network based on a giga passive optical network gpon zouhaira abdellaoui yiyi

[gpon nedir mikrotik türkiye eğitim ubiquiti network eğitim](#) - Nov 29 2021

pdf gpon the ultimate pertinent of next - Nov 10 2022

web günümüzde gigabit pasif optik ağ gpon yapıları erişim ağları için önemli özellikler sağlamaktadır kanal başına giriş gücü kanallar arasındaki mesafe kanal sayısı ve

grapon kağıtları didem madak pdf e ekİtap Ücretsiz - Sep 27 2021

a study of passive optical network and gigabit - Feb 01 2022

pdf design and implementation of a fiber to the - Apr 15 2023

web an 1588ptp pdf gpon glossary 1 olt optical line termination a broadband multi service device that controls the flow of information to and from all subscribers through the

[pdf gigabit passive optical network](#) - Aug 19 2023

web jan 5 2012 the gigabit passive optical network gpon is an outcome of the full service access network fsan alliance and is specified in the itu t g 984 x series of