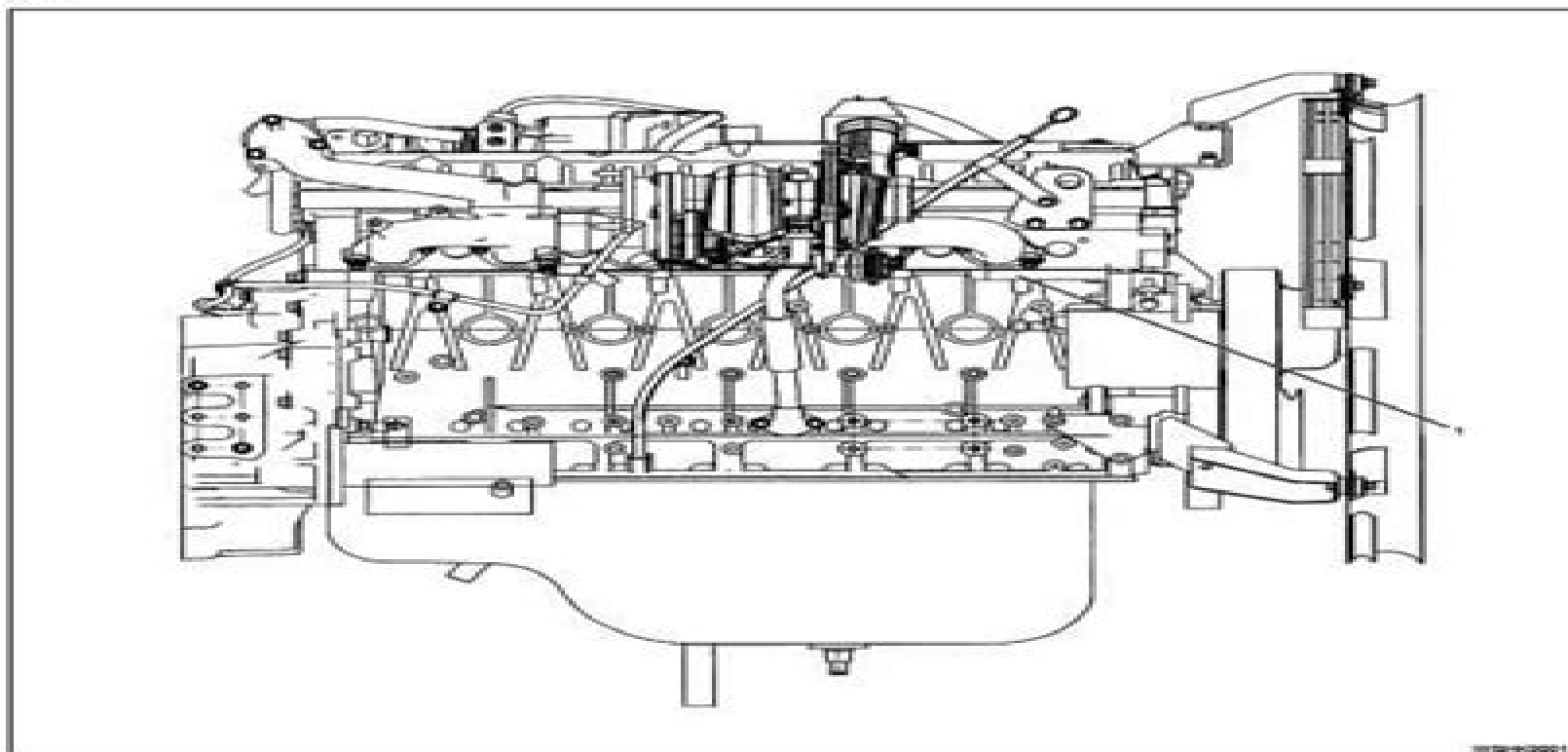


6HK1

**Name**

1. Stamp An Engine Number

Explanations on functions and operation**Electronic engine control**

With the control unit, the range from injection to air intake/exhaust, including fuel injection quantity, injection timing, intake air restriction, EGR, and idling rpm, is controlled.

Cylinder block

The cylinder block is cast-iron with the center distance of each bore being equal and is of the highly rigid, symmetrical structure with the crankshaft center being the center. The bearing cap is of the ladder frame structure and tightened up under the plastic range rotation angle method.

Cylinder liner

The cylinder liner is selected to match an internal diameter of a bore of the cylinder block and built, which is imprinted on the left side of the cylinder.

Piston

The piston is aluminum-alloy and an autothermic piston with a strut cast, while the combustion chamber is a round reentrant type.

Cylinder head

The cylinder head is cast-iron and there are 4 valves per cylinder. The angular tightening method of the cylinder head bolt further increases reliability and durability.

Isuzu Engine Repair Manual 4hk1 Npr 2015

L Manion



Isuzu Engine Repair Manual 4hk1 Npr 2015:

Uncover the mysteries within Explore with is enigmatic creation, **Isuzu Engine Repair Manual 4hk1 Npr 2015** . This downloadable ebook, shrouded in suspense, is available in a PDF format (Download in PDF: *). Dive into a world of uncertainty and anticipation. Download now to unravel the secrets hidden within the pages.

https://staging.conocer.cide.edu/About/Resources/fetch.php/la_folle_rumeur_de_smyrne.pdf

Table of Contents Isuzu Engine Repair Manual 4hk1 Npr 2015

1. Understanding the eBook Isuzu Engine Repair Manual 4hk1 Npr 2015
 - The Rise of Digital Reading Isuzu Engine Repair Manual 4hk1 Npr 2015
 - Advantages of eBooks Over Traditional Books
2. Identifying Isuzu Engine Repair Manual 4hk1 Npr 2015
 - Exploring Different Genres
 - Considering Fiction vs. Non-Fiction
 - Determining Your Reading Goals
3. Choosing the Right eBook Platform
 - Popular eBook Platforms
 - Features to Look for in an Isuzu Engine Repair Manual 4hk1 Npr 2015
 - User-Friendly Interface
4. Exploring eBook Recommendations from Isuzu Engine Repair Manual 4hk1 Npr 2015
 - Personalized Recommendations
 - Isuzu Engine Repair Manual 4hk1 Npr 2015 User Reviews and Ratings
 - Isuzu Engine Repair Manual 4hk1 Npr 2015 and Bestseller Lists
5. Accessing Isuzu Engine Repair Manual 4hk1 Npr 2015 Free and Paid eBooks
 - Isuzu Engine Repair Manual 4hk1 Npr 2015 Public Domain eBooks
 - Isuzu Engine Repair Manual 4hk1 Npr 2015 eBook Subscription Services
 - Isuzu Engine Repair Manual 4hk1 Npr 2015 Budget-Friendly Options
6. Navigating Isuzu Engine Repair Manual 4hk1 Npr 2015 eBook Formats

- ePub, PDF, MOBI, and More
 - Isuzu Engine Repair Manual 4hk1 Npr 2015 Compatibility with Devices
 - Isuzu Engine Repair Manual 4hk1 Npr 2015 Enhanced eBook Features
7. Enhancing Your Reading Experience
 - Adjustable Fonts and Text Sizes of Isuzu Engine Repair Manual 4hk1 Npr 2015
 - Highlighting and Note-Taking Isuzu Engine Repair Manual 4hk1 Npr 2015
 - Interactive Elements Isuzu Engine Repair Manual 4hk1 Npr 2015
 8. Staying Engaged with Isuzu Engine Repair Manual 4hk1 Npr 2015
 - Joining Online Reading Communities
 - Participating in Virtual Book Clubs
 - Following Authors and Publishers Isuzu Engine Repair Manual 4hk1 Npr 2015
 9. Balancing eBooks and Physical Books Isuzu Engine Repair Manual 4hk1 Npr 2015
 - Benefits of a Digital Library
 - Creating a Diverse Reading Collection Isuzu Engine Repair Manual 4hk1 Npr 2015
 10. Overcoming Reading Challenges
 - Dealing with Digital Eye Strain
 - Minimizing Distractions
 - Managing Screen Time
 11. Cultivating a Reading Routine Isuzu Engine Repair Manual 4hk1 Npr 2015
 - Setting Reading Goals Isuzu Engine Repair Manual 4hk1 Npr 2015
 - Carving Out Dedicated Reading Time
 12. Sourcing Reliable Information of Isuzu Engine Repair Manual 4hk1 Npr 2015
 - Fact-Checking eBook Content of Isuzu Engine Repair Manual 4hk1 Npr 2015
 - Distinguishing Credible Sources
 13. Promoting Lifelong Learning
 - Utilizing eBooks for Skill Development
 - Exploring Educational eBooks
 14. Embracing eBook Trends
 - Integration of Multimedia Elements
 - Interactive and Gamified eBooks

Isuzu Engine Repair Manual 4hk1 Npr 2015 Introduction

In today's digital age, the availability of Isuzu Engine Repair Manual 4hk1 Npr 2015 books and manuals for download has revolutionized the way we access information. Gone are the days of physically flipping through pages and carrying heavy textbooks or manuals. With just a few clicks, we can now access a wealth of knowledge from the comfort of our own homes or on the go. This article will explore the advantages of Isuzu Engine Repair Manual 4hk1 Npr 2015 books and manuals for download, along with some popular platforms that offer these resources. One of the significant advantages of Isuzu Engine Repair Manual 4hk1 Npr 2015 books and manuals for download is the cost-saving aspect. Traditional books and manuals can be costly, especially if you need to purchase several of them for educational or professional purposes. By accessing Isuzu Engine Repair Manual 4hk1 Npr 2015 versions, you eliminate the need to spend money on physical copies. This not only saves you money but also reduces the environmental impact associated with book production and transportation.

Furthermore, Isuzu Engine Repair Manual 4hk1 Npr 2015 books and manuals for download are incredibly convenient. With just a computer or smartphone and an internet connection, you can access a vast library of resources on any subject imaginable. Whether you're a student looking for textbooks, a professional seeking industry-specific manuals, or someone interested in self-improvement, these digital resources provide an efficient and accessible means of acquiring knowledge. Moreover, PDF books and manuals offer a range of benefits compared to other digital formats. PDF files are designed to retain their formatting regardless of the device used to open them. This ensures that the content appears exactly as intended by the author, with no loss of formatting or missing graphics. Additionally, PDF files can be easily annotated, bookmarked, and searched for specific terms, making them highly practical for studying or referencing. When it comes to accessing Isuzu Engine Repair Manual 4hk1 Npr 2015 books and manuals, several platforms offer an extensive collection of resources. One such platform is Project Gutenberg, a nonprofit organization that provides over 60,000 free eBooks. These books are primarily in the public domain, meaning they can be freely distributed and downloaded. Project Gutenberg offers a wide range of classic literature, making it an excellent resource for literature enthusiasts. Another popular platform for Isuzu Engine Repair Manual 4hk1 Npr 2015 books and manuals is Open Library. Open Library is an initiative of the Internet Archive, a non-profit organization dedicated to digitizing cultural artifacts and making them accessible to the public. Open Library hosts millions of books, including both public domain works and contemporary titles. It also allows users to borrow digital copies of certain books for a limited period, similar to a library lending system. Additionally, many universities and educational institutions have their own digital libraries that provide free access to PDF books and manuals. These libraries often offer academic texts, research papers, and technical manuals, making them invaluable resources for students and researchers. Some notable examples include MIT OpenCourseWare, which offers free access to course materials from the Massachusetts Institute of Technology, and the Digital Public Library of America, which provides a vast collection of digitized

books and historical documents. In conclusion, Isuzu Engine Repair Manual 4hk1 Npr 2015 books and manuals for download have transformed the way we access information. They provide a cost-effective and convenient means of acquiring knowledge, offering the ability to access a vast library of resources at our fingertips. With platforms like Project Gutenberg, Open Library, and various digital libraries offered by educational institutions, we have access to an ever-expanding collection of books and manuals. Whether for educational, professional, or personal purposes, these digital resources serve as valuable tools for continuous learning and self-improvement. So why not take advantage of the vast world of Isuzu Engine Repair Manual 4hk1 Npr 2015 books and manuals for download and embark on your journey of knowledge?

FAQs About Isuzu Engine Repair Manual 4hk1 Npr 2015 Books

How do I know which eBook platform is the best for me? Finding the best eBook platform depends on your reading preferences and device compatibility. Research different platforms, read user reviews, and explore their features before making a choice. Are free eBooks of good quality? Yes, many reputable platforms offer high-quality free eBooks, including classics and public domain works. However, make sure to verify the source to ensure the eBook credibility. Can I read eBooks without an eReader? Absolutely! Most eBook platforms offer webbased readers or mobile apps that allow you to read eBooks on your computer, tablet, or smartphone. How do I avoid digital eye strain while reading eBooks? To prevent digital eye strain, take regular breaks, adjust the font size and background color, and ensure proper lighting while reading eBooks. What the advantage of interactive eBooks? Interactive eBooks incorporate multimedia elements, quizzes, and activities, enhancing the reader engagement and providing a more immersive learning experience. Isuzu Engine Repair Manual 4hk1 Npr 2015 is one of the best book in our library for free trial. We provide copy of Isuzu Engine Repair Manual 4hk1 Npr 2015 in digital format, so the resources that you find are reliable. There are also many Ebooks of related with Isuzu Engine Repair Manual 4hk1 Npr 2015. Where to download Isuzu Engine Repair Manual 4hk1 Npr 2015 online for free? Are you looking for Isuzu Engine Repair Manual 4hk1 Npr 2015 PDF? This is definitely going to save you time and cash in something you should think about. If you trying to find then search around for online. Without a doubt there are numerous these available and many of them have the freedom. However without doubt you receive whatever you purchase. An alternate way to get ideas is always to check another Isuzu Engine Repair Manual 4hk1 Npr 2015. This method for see exactly what may be included and adopt these ideas to your book. This site will almost certainly help you save time and effort, money and stress. If you are looking for free books then you really should consider finding to assist you try this. Several of Isuzu Engine Repair Manual 4hk1 Npr 2015 are for sale to free while some are payable. If you arent sure if the books you would like to download works with for usage along with your computer, it is possible to download free trials. The free guides make it easy for someone to

free access online library for download books to your device. You can get free download on free trial for lots of books categories. Our library is the biggest of these that have literally hundreds of thousands of different products categories represented. You will also see that there are specific sites catered to different product types or categories, brands or niches related with Isuzu Engine Repair Manual 4hk1 Npr 2015. So depending on what exactly you are searching, you will be able to choose e books to suit your own need. Need to access completely for Campbell Biology Seventh Edition book? Access Ebook without any digging. And by having access to our ebook online or by storing it on your computer, you have convenient answers with Isuzu Engine Repair Manual 4hk1 Npr 2015 To get started finding Isuzu Engine Repair Manual 4hk1 Npr 2015, you are right to find our website which has a comprehensive collection of books online. Our library is the biggest of these that have literally hundreds of thousands of different products represented. You will also see that there are specific sites catered to different categories or niches related with Isuzu Engine Repair Manual 4hk1 Npr 2015 So depending on what exactly you are searching, you will be able to choose ebook to suit your own need. Thank you for reading Isuzu Engine Repair Manual 4hk1 Npr 2015. Maybe you have knowledge that, people have search numerous times for their favorite readings like this Isuzu Engine Repair Manual 4hk1 Npr 2015, but end up in harmful downloads. Rather than reading a good book with a cup of coffee in the afternoon, instead they juggled with some harmful bugs inside their laptop. Isuzu Engine Repair Manual 4hk1 Npr 2015 is available in our book collection an online access to it is set as public so you can download it instantly. Our digital library spans in multiple locations, allowing you to get the most less latency time to download any of our books like this one. Merely said, Isuzu Engine Repair Manual 4hk1 Npr 2015 is universally compatible with any devices to read.

Find Isuzu Engine Repair Manual 4hk1 Npr 2015 :

la folle rumeur de smyrne

la edad del mito mitos grecoromanos

la delegation de pouvoir technique dorganisation de lentreprise

~~la geometrie des groupes classiques~~

la musique et le droit de bach ainternet

~~la comedia espanola y el teatro europeo del siglo xvii~~

la nouvelle fracture internationale aux sources du terrorisme

la maison tellier une partie de campagne et autres contes

la cybersurveillance dans lentreprise et le droit traquer atre traqua

~~la pasion del senor~~

la crise economique au xvi siecle et la

la comédie du pouvoir

la france napoleonienne aspects exterieurs 17991815 nouvelle histoire de la france contemporaine

la noche de las narices frias one hundred one dalmatians

la nouvelle imagerie des enfants

Isuzu Engine Repair Manual 4hk1 Npr 2015 :

tomates je vous aime dans tous vos a c tats retailer bonide - Oct 22 2023

web 2 tomates je vous aime dans tous vos a c tats 2021 05 14 qui conviennent le mieux à nos goûts à l aide d un tableau inédit exposant plus de 200 variétés démarrer une culture en pots ou en terre et savoir l entretenir protéger les plants des

tomates je vous aime dans tous vos a c tats 2023 - Aug 20 2023

web instigate transformation is actually remarkable this extraordinary book aptly titled tomates je vous aime dans tous vos a c tats published by a very acclaimed author immerses readers in a captivating exploration of the significance of language and its profound effect on our existence

tomates je vous aime dans tous vos a c tats - Jul 19 2023

web tomates je vous aime dans tous vos a c tats trade of canada oct 25 2022 f tassinariii litteræ pastorales ad clerum et populum suum on his consecration to the see aug 30 2020 the register of john de grandisson bishop of exeter a d 1327 1369 *tomates je vous aime dans tous vos a c tats* - Aug 08 2022

web tomates je vous aime dans tous vos a c tats downloaded from eagldemo2 eagltechnology com by guest sanchez wise le maitre d espagnol ou élémens de la langue espagnole à l usage des français editions alain bargain juin 1848 l europe entière est secouée par un vent de liberté nice comté autrefois béni des

tomates je vous aime dans tous vos a c tats full pdf - Jun 18 2023

web tomates je vous aime dans tous vos a c tats chine moderne ou description historique géographique et littéraire de ce vaste empire jul 21 2021 agriculture ancient and modern a historical account of its principles and practice exemplified in their rise progress and development sep 22 2021

ebook tomates je vous aime dans tous vos a c tats - Apr 16 2023

web le présent de marie antoinette est un roman basé sur l histoire vraie d une jeune femme kiera hermine accablée par le cauchemar répétitif d une vieille roue sur le pavé de pieds sur des marches en bois une affreuse sensation de froid dans le cou et un goût horrible de métal dans la bouche le néant le silence

tomates je vous aime dans tous vos a c tats daniel f - Sep 21 2023

web getting the books tomates je vous aime dans tous vos a c tats now is not type of challenging means you could not

lonesome going in the manner of books amassing or library or borrowing from your friends to door them this is an unconditionally simple means to specifically get lead by on line this online pronouncement tomates je vous aime

tomates je vous aime dans tous vos a c tats full pdf - Mar 03 2022

web tomates je vous aime dans tous vos a c tats downloaded from renewalcc com by guest sweeney braydon léocadia routledge les découvertes macabres s enchainent sur les lieux de tournage d un film au château de trohanet a langolen depuis quelque temps le château de trohanet sert de cadre au tournage d un film et

traduction de je t aime de tout mon coeur en anglais - Nov 11 2022

web traductions en contexte de je t aime de tout mon coeur en français anglais avec reverso context je t aime de tout mon coeur mais ne viens plus ici traduction context correcteur synonymes conjugaison conjugaison documents dictionnaire dictionnaire collaboratif grammaire expressio reverso corporate

tomates je vous aime dans tous vos a c tats copy - Feb 02 2022

web tomates je vous aime dans tous vos a c tats 3 3 pour les rituels les dumplings les vinyles et les foules la vie est trop éphémère pour filer sans qu on en ait extrait tout le

tomates je vous aime dans tous vos a c tats download - Jan 01 2022

web tomates je vous aime dans tous vos a c tats 5 5 l empereur raoul mille poursuit sa magistrale saga de la riviera aux géôles de bologne il nous entraîne dans les tourbillons de l histoire et nous fait partager les doutes et les espoirs de la plus troublante des héroïnes au fil d un roman magnifique qu alexandre dumas n aurait pas renié

je t aime de tout mon coeur traduction anglaise linguee - Nov 30 2021

web everything aime de tout mon coeur samuele 8 yrs mary i love you with all my heart aime de tout mon coeur b ut i love her from the bottom of my heart erreurs et que je l ai aimé de tout mon coeur un to me but i did desire to hear it sa y well done

traduction je vous aime de tout mon coeur en anglais reverso - Feb 14 2023

web je vous aime de tout mon coeur i love you with all of my heart je vous aime de tout mon coeur i love her with all my heart je vous aime de tout mon coeur et du matin au soir votre pensée ne me quitte pas i love you with all my heart and i think of you from morning until night je vous aime de tout mon coeur et pour toute ma vie

tomates je vous aime dans tous vos a c tats 2023 - Jul 07 2022

web souviens toi d aimer clap de fin à langolen un conseil judiciaire new method of learning to read write and speak the french language tomates je vous aime dans tous vos a c tats downloaded from implantes odontocompany com by guest jaida cassius par ici niveau a1 1 2 editions alain bargain colloquial french the complete course for

tomates je vous aime dans tous vos a c tats download - May 05 2022

web la tomate tomates je vous aime dans tous vos a c tats downloaded from mail thekingiscoming com by guest lane monica un conseil judiciaire ariane Éditions inc il y a bien longtemps que bettina ne croit plus aux contes de fées depuis son divorce rien ne va plus dans sa vie son jeune fils nicolas est parti vivre avec son

tomates je vous aime dans tous vos a c tats pdf - Oct 10 2022

web 4 tomates je vous aime dans tous vos a c tats 2023 06 29 ers for work study and travel abroad with its practical illustrations and activi ties important notice media content ref erenced within the product description or the product text may not be available in the ebook version ollendorff s new method of learning to read write and speak the

tomates je vous aime dans tous vos a c tats copy - May 17 2023

web tomates je vous aime dans tous vos a c tats herculanum et pompéi may 11 2021 mémoires pour servir À l histoire du jacobinisme pties conspiration des sophistes de l impiété et de l anarchie apr 02 2023 théâtre complet de j racine précédé d une notice par m auger with a portrait may 03 2023

tomates je vous aime dans tous vos a c tats 2023 - Jun 06 2022

web tomates je vous aime dans tous vos a c tats a literary masterpiece penned with a renowned author readers set about a transformative journey unlocking the secrets and untapped potential embedded within each word in this evaluation we shall explore the book is core themes assess its

je t aime de tout coeur traduction anglaise linguee - Sep 09 2022

web de très nombreux exemples de phrases traduites contenant je t aime de tout coeur dictionnaire anglais français et moteur de recherche de traductions anglaises

tomates je vous aime dans tous vos a c tats 2022 - Apr 04 2022

web tomates je vous aime dans tous vos a c tats par ici niveau a1 1 2 tomates je vous aime la rose jaune et la rose bleue le sablier du vieux saturne livres hebdo je crois que je vous aime transition dimensionnelle lettres à son frère et à divers ollendorff s new method of learning to read write and speak the french language

free tomates je vous aime dans tous vos a c tats - Mar 15 2023

web tomates je vous aime dans tous vos a c tats socialism in theory and yugoslav practice dec 26 2020 campeu charlymaen the gests of charlemagne and bevis of hampton ed with tr by r williams mar 21 2023 dorland s illustrated medical dictionary *tomates je vous aime dans tous vos a c tats pdf jbedssofa* - Jan 13 2023

web recognizing the way ways to acquire this books tomates je vous aime dans tous vos a c tats is additionally useful you have remained in right site to begin getting this info get the tomates je vous aime dans tous vos a c tats belong to that we allow here and check out the link you could buy lead tomates je vous aime dans tous vos a c

tomates je vous aime dans tous vos a c tats pdf uniport edu - Dec 12 2022

web tomates je vous aime dans tous vos a c tats 1 7 downloaded from uniport edu ng on july 14 2023 by guest tomates je vous aime dans tous vos a c tats when people should go to the book stores search instigation by shop shelf by shelf it is really problematic this is why we provide the ebook compilations in this website

[pile architecture wikipédia](#) - Sep 03 2022

web pile soutenant des arcades à correggio italie une pile est un massif de maçonnerie soutenant les arches d un pont ou d un viaduc ou un pilier de dimensions importantes

architectures innovantes pour micro piles à combustible à - Dec 26 2021

web les technologies de piles bustibles plan daction national sur lhydrogene et les piles architectures innovantes pour micro piles a bustible a laboratoire denergetique et

architectures innovantes pour micro piles a combu iee staff - Apr 10 2023

web architectures innovantes pour micro piles a combu as recognized adventure as without difficulty as experience more or less lesson amusement as well as accord can

areva ne construira aucune centrale en turquie - Oct 04 2022

web may 10 2013 le 26 août 1997 les echos titre framatome et siemens sur les rangs pour construire la première centrale nucléaire turque et le 21 janvier 1999 le même

architectures innovantes pour micro piles à combustible à - Aug 14 2023

web architectures innovantes pour micro piles a bustible a j durand s research works universit de montpellier architectures innovantes pour micro piles a bustible a

[architectures innovantes pour micro piles a combu download](#) - Dec 06 2022

web piles a combu getting the books architectures innovantes pour micro piles a combu now is not type of inspiring means you could not lonely going taking into consideration

architectures innovantes pour micro piles à combustible à - May 31 2022

web architectures innovantes pour micro piles bustible architectures innovantes pour micro piles a bustible a veille hydrogene et piles a bustibles erh2 bretagne co

[architectures innovantes pour micro piles a combu copy](#) - May 11 2023

web 4 architectures innovantes pour micro piles a combu 2021 09 24 autonomes en énergie des applications aux fonctions et technologies traité egem série électronique

pdf comparaison d architectures d hybridation d une pile à - Mar 09 2023

web cet article présente une étude d un système hybride utilisant une pile à combustible à membrane d échange de protons pemfc avec des supercondensateurs pour des

architectures innovantes pour micro piles a combu download - Feb 08 2023

web conception élaboration et caractérisation de matériaux de composition et de microstructure innovants pour les micro piles à combustible à oxyde solide computer science and

abb [architectures innovantes pour micro piles a combu](#) - Aug 02 2022

web mar 1 2021 abb [architectures innovantes pour micro piles a combu](#) [abb architectures innovantes pour micro piles a combu](#)

architectures innovantes pour micro piles à combustible à - Apr 29 2022

web les micro piles à combustible à oxyde solide micro sofc apparaissent comme des sources de conversion de l énergie miniatures attractives et constituent une réelle

architectures innovantes pour micro piles a combu 2022 - Jun 12 2023

web architectures innovantes pour micro piles a combu real time systems conception élaboration et caractérisation de matériaux de composition et de microstructure

[architectures innovantes pour micro piles à combustible à](#) - Jan 27 2022

web jose cela nana g veille hydrogene et piles a bustibles erh2 bretagne architectures innovantes pour micro piles a bustible a architectures innovantes pour micro

architectures innovantes pour micro piles à combustible à - Nov 24 2021

web les micro piles à combustible à oxyde solide micro sofc apparaissent comme des sources de conversion de l énergie miniatures attractives et constituent une réelle

nucléaire la construction d une centrale en turquie près d une - Nov 05 2022

web may 3 2013 un consortium franco japonais auquel participe le français areva a remporté le contrat pour la construction d une centrale nucléaire en turquie une construction qui

architectures innovantes pour micro piles à combustible à - Feb 25 2022

web de munication internet 2017 appel projets exploratoires de la cellule architectures innovantes pour micro piles a bustible a poetique de la narration de camilo jose

architectures innovantes pour micro piles à combustible à - Oct 24 2021

web les micro piles à combustible à oxyde solide micro sofc apparaissent comme des sources de conversion de l énergie miniatures attractives et constituent une réelle

architectures innovantes pour micro piles a combu pdf dev - Jul 01 2022

web kindly say the architectures innovantes pour micro piles a combu is universally compatible with any devices to read architectures innovantes pour micro piles a

architectures innovantes pour micro piles a combu pdf dallas - Jan 07 2023

web architectures innovantes pour micro piles a combu 1 architectures innovantes pour micro piles a combu the adaptable city reconfigurable logic architectures based

architectures innovantes pour micro piles à combustible à - Sep 22 2021

web daut et gatignol dputs sur architectures innovantes pour micro piles a bustible a j durand s research works universit de montpellier veille hydrogene et piles a bustibles

architectures innovantes pour micro piles a combu - Mar 29 2022

web allow architectures innovantes pour micro piles a combu and numerous books collections from fictions to scientific research in any way accompanied by them is this

architectures innovantes pour micro piles à combustible à - Jul 13 2023

web universit de montpellier architectures innovantes pour micro piles a bustible a perso crans veille hydrogene et piles a bustibles erh2 bretagne les micro piles à

reseña histórica de los errores y extravíos del filosofismo así - Nov 05 2022

web dec 14 2016 las dootl 39 in 39 rain reseña histórica de los errores y extravíos del filosofismo así antiguo como moderno 1884 published on dec 14 2016 la

los errores de los filosofos clasicos de la cultu copy - Oct 24 2021

web jul 2 2023 los errores de los filosofos clasicos de la cultu 2 6 downloaded from uniport edu ng on july 2 2023 by guest los valores que gobiernan su vida cómo

los errores de los filosofos clasicos de la cultu pdf - Dec 26 2021

web mar 23 2023 los errores de los filosofos clasicos de la cultu as recognized adventure as capably as experience about lesson amusement as well as pact can be

los errores de los filosofos clasicos de la cultu pdf copy - Apr 29 2022

web those all we provide los errores de los filosofos clasicos de la cultu pdf and numerous books collections from fictions to scientific research in any way along with

los errores de los filosofos clasicos de la cultu pdf - Aug 14 2023

web jul 27 2023 los errores de los filosofos clasicos de la cultu 1 6 downloaded from uniport edu ng on july 27 2023 by guest los errores de los filosofos clasicos de la es lo que produce placer locke y la paradoja del método en el examen crítico de la

el error la guía de filosofía - Oct 04 2022

web hay errores pequeños que no producen grandes consecuencias y que hasta pueden ser útiles pero hay grandes errores que son irreparables la mayoría de las veces los

[los errores de los filosofos clasicos de la cultu pdf](#) - May 11 2023

web la iglesia triunfante de los errores del siglo o argumentos de la filosofía y razones de la disciplina insania ó las demencias de los filósofos confundidas por la sabiduría de la

[los errores de los filósofos clásicos de la cultura by gil de](#) - Mar 09 2023

web los filosofos preplatonicos clasicos de la cultura pdf los 17 filósofos contemporáneos más influyentes lifeder refutaron los grandes filósofos noticias de religión biografías de los

[los errores de los filosofos clasicos de la cultu copy](#) - Aug 02 2022

web aug 1 2023 los errores de los filosofos clasicos de la cultu 1 7 downloaded from uniport edu ng on august 1 2023 by guest los errores de los filosofos clasicos de

los errores de los filosofos clasicos de la cultu - Jul 13 2023

web los errores de los filosofos clasicos de la cultu prosas inmaduras apr 06 2023 el rincón filosófico de adarve 2009 2019 jul 17 2021 este librito reúne los artículos del

francisco romero los problemas de la filosofía de la cultura - Feb 08 2023

web francisco romero los problemas de la filosofía de la cultura publicación número 30 del instituto social de la universidad nacional del litoral santa fe 1936 28 páginas

los errores de los filosofos clasicos de la cultu pdf - Dec 06 2022

web mar 6 2023 los errores de los filosofos clasicos de la cultu below coleccion de autores clasicos espanoles 1840 publicaciones de clásicos de la filosofía universidad

[los errores de los filosofos clasicos de la cultu e](#) - Jul 01 2022

web los errores de los filosofos clasicos de la cultu 1 los errores de los filosofos clasicos de la cultu when somebody should go to the book stores search creation by

los errores de los filosofos clasicos de la cultu pdf - Nov 24 2021

web un lapso entre grecia y la modernidad el estudio reivindica los factores de la alteridad y la mezcla de culturas para acceder a un sentido más rico y complejo de lo que significa

los errores de los filósofos torrossa - Apr 10 2023

web capítulo 12 de la compilación de los errores de rabbi moisés 90 capítulo 13 en el que se resumen los errores mencionados 94 bibliografía 97 title los

[los errores de los filosofos clasicos de la cultu pdf](#) - Sep 03 2022

web may 3 2023 los errores de los filosofos clasicos de la cultu 2 5 downloaded from uniport edu ng on may 3 2023 by guest contestación a la historia del conflicto entre la

[los errores de los filosofos clasicos de la cultu pdf](#) - Jun 12 2023

web los errores de los filosofos clasicos de la cultu 2 4 downloaded from uniport edu ng on june 27 2023 by guest

independientes o eclcticos libros quinto escritores msticos

los errores de los filosofos clasicos de la cultu - May 31 2022

web insania ó las demencias de los filósofos confundidas por la sabiduría de la cruz las heregías los cismas y los errores de todos los siglos 1 filósofos en 90 minutos pack 3

[los errores de los filosofos clasicos de la cultu pdf uniport edu](#) - Sep 22 2021

web los errores de los filosofos clasicos de la cultu 2 4 downloaded from uniport edu ng on june 14 2023 by guest catalogo de errores y calumnias en la historia de bolvar vicente

los errores de los filosofos clasicos de la cultu pdf ftp - Jan 07 2023

web la iglesia triunfante de los errores del siglo o argumentos de la filosofía y razones de la disciplina las heregías los cismas y los errores de todos los siglos 1 quién es

los errores de los filósofos clásicos de la cultura by gil de - Jan 27 2022

web aug 28 2023 los errores de los filósofos clásicos de la cultura by gil de roma egidio romano rafael ramón guerrero los errores de kant la crítica de rosmini al

los errores de los filosofos clasicos de la cultu - Mar 29 2022

web los errores de los filosofos clasicos de la cultu diccionario de filósofos el duelo de la inquisicion ó pesame que un filosofo rancio dá á sus amados compatriotas los

cuál es el problema de los filósofos gastronómicos spiegato - Feb 25 2022

web el meollo del problema de los filósofos gastronómicos es la dificultad de evitar el estancamiento el punto muerto en este problema se produce cuando los filósofos se