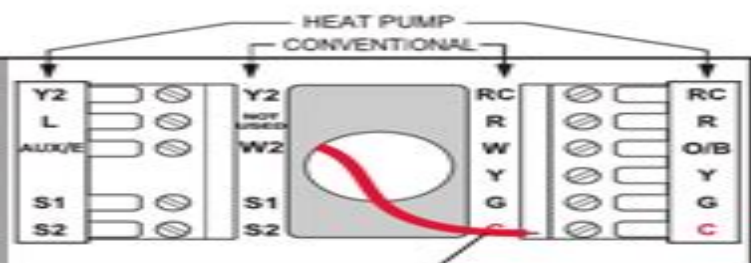
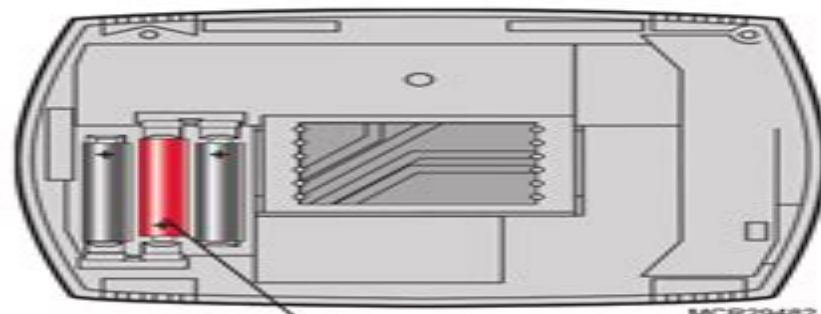


Power options



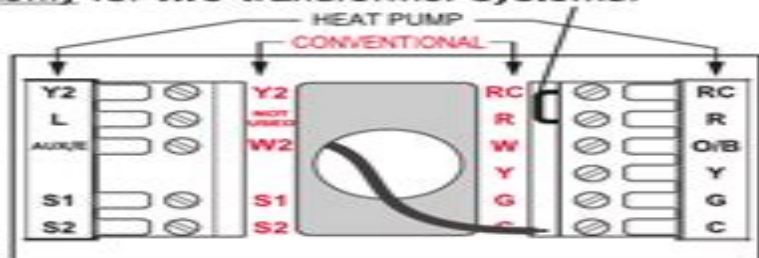
For 24VAC primary power, connect common side of transformer to "C" terminal.



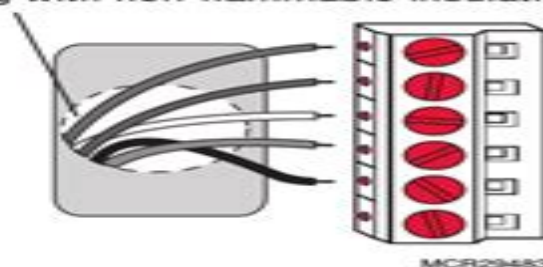
Insert supplied batteries for primary or backup power.

Wiring

Remove factory-installed jumper only for two-transformer systems.



Push excess wire back into the wall opening. Plug wall opening with non-flammable insulation.



Terminal Designations

Shaded areas below apply only to TH8320/TH8321.

Conventional Terminal Letters:

R	Heating power. Connect to secondary side of heating system transformer.
Rc	Cooling power. Connect to secondary side of cooling system transformer.
C	Common wire from secondary side of cooling transformer (if 2 transformers).
W	1st stage heat relay.
W2	2nd stage heat relay.
Y	1st stage compressor contactor.
Y2	2nd stage compressor contactor.
G	Fan relay.
S1	Optional outdoor or remote sensor.
S2	Optional outdoor or remote sensor.

Heat Pump Terminal Letters:

R	Heating power. Connect to secondary side of heating system transformer.
Rc	Cooling power. Connect to secondary side of cooling system transformer.
C	Common wire from secondary side of cooling system transformer.
Y	1st stage compressor contactor.
Y2	2nd stage compressor contactor.
Aux/E	Auxiliary/Emergency heat relay.
G	Fan relay.
L	Heat pump reset (powered continuously when System is set to Em Heat; system monitor when set to Heat, Cool or Off).
O/B	Changeover valve for heat pumps.
S1	Optional outdoor or remote sensor.
S2	Optional outdoor or remote sensor.

Honeywell Vision Pro 80installation Manual

J Spring



Honeywell Vision Pro 80 installation Manual:

Unveiling the Magic of Words: A Report on "**Honeywell Vision Pro 80installation Manual**"

In a world defined by information and interconnectivity, the enchanting power of words has acquired unparalleled significance. Their power to kindle emotions, provoke contemplation, and ignite transformative change is truly awe-inspiring. Enter the realm of "**Honeywell Vision Pro 80installation Manual**," a mesmerizing literary masterpiece penned by a distinguished author, guiding readers on a profound journey to unravel the secrets and potential hidden within every word. In this critique, we shall delve in to the book is central themes, examine its distinctive writing style, and assess its profound effect on the souls of its readers.

<https://staging.conocer.cide.edu/public/publication/Documents/Gmc%20Radio%20Wiring%20Guide.pdf>

Table of Contents Honeywell Vision Pro 80installation Manual

1. Understanding the eBook Honeywell Vision Pro 80installation Manual
 - The Rise of Digital Reading Honeywell Vision Pro 80installation Manual
 - Advantages of eBooks Over Traditional Books
2. Identifying Honeywell Vision Pro 80installation Manual
 - Exploring Different Genres
 - Considering Fiction vs. Non-Fiction
 - Determining Your Reading Goals
3. Choosing the Right eBook Platform
 - Popular eBook Platforms
 - Features to Look for in an Honeywell Vision Pro 80installation Manual
 - User-Friendly Interface
4. Exploring eBook Recommendations from Honeywell Vision Pro 80installation Manual
 - Personalized Recommendations
 - Honeywell Vision Pro 80installation Manual User Reviews and Ratings
 - Honeywell Vision Pro 80installation Manual and Bestseller Lists

5. Accessing Honeywell Vision Pro 80installation Manual Free and Paid eBooks
 - Honeywell Vision Pro 80installation Manual Public Domain eBooks
 - Honeywell Vision Pro 80installation Manual eBook Subscription Services
 - Honeywell Vision Pro 80installation Manual Budget-Friendly Options
6. Navigating Honeywell Vision Pro 80installation Manual eBook Formats
 - ePub, PDF, MOBI, and More
 - Honeywell Vision Pro 80installation Manual Compatibility with Devices
 - Honeywell Vision Pro 80installation Manual Enhanced eBook Features
7. Enhancing Your Reading Experience
 - Adjustable Fonts and Text Sizes of Honeywell Vision Pro 80installation Manual
 - Highlighting and Note-Taking Honeywell Vision Pro 80installation Manual
 - Interactive Elements Honeywell Vision Pro 80installation Manual
8. Staying Engaged with Honeywell Vision Pro 80installation Manual
 - Joining Online Reading Communities
 - Participating in Virtual Book Clubs
 - Following Authors and Publishers Honeywell Vision Pro 80installation Manual
9. Balancing eBooks and Physical Books Honeywell Vision Pro 80installation Manual
 - Benefits of a Digital Library
 - Creating a Diverse Reading Collection Honeywell Vision Pro 80installation Manual
10. Overcoming Reading Challenges
 - Dealing with Digital Eye Strain
 - Minimizing Distractions
 - Managing Screen Time
11. Cultivating a Reading Routine Honeywell Vision Pro 80installation Manual
 - Setting Reading Goals Honeywell Vision Pro 80installation Manual
 - Carving Out Dedicated Reading Time
12. Sourcing Reliable Information of Honeywell Vision Pro 80installation Manual
 - Fact-Checking eBook Content of Honeywell Vision Pro 80installation Manual
 - Distinguishing Credible Sources
13. Promoting Lifelong Learning

- Utilizing eBooks for Skill Development
 - Exploring Educational eBooks
14. Embracing eBook Trends
- Integration of Multimedia Elements
 - Interactive and Gamified eBooks

Honeywell Vision Pro 80installation Manual Introduction

In today's digital age, the availability of Honeywell Vision Pro 80installation Manual books and manuals for download has revolutionized the way we access information. Gone are the days of physically flipping through pages and carrying heavy textbooks or manuals. With just a few clicks, we can now access a wealth of knowledge from the comfort of our own homes or on the go. This article will explore the advantages of Honeywell Vision Pro 80installation Manual books and manuals for download, along with some popular platforms that offer these resources. One of the significant advantages of Honeywell Vision Pro 80installation Manual books and manuals for download is the cost-saving aspect. Traditional books and manuals can be costly, especially if you need to purchase several of them for educational or professional purposes. By accessing Honeywell Vision Pro 80installation Manual versions, you eliminate the need to spend money on physical copies. This not only saves you money but also reduces the environmental impact associated with book production and transportation. Furthermore, Honeywell Vision Pro 80installation Manual books and manuals for download are incredibly convenient. With just a computer or smartphone and an internet connection, you can access a vast library of resources on any subject imaginable. Whether you're a student looking for textbooks, a professional seeking industry-specific manuals, or someone interested in self-improvement, these digital resources provide an efficient and accessible means of acquiring knowledge. Moreover, PDF books and manuals offer a range of benefits compared to other digital formats. PDF files are designed to retain their formatting regardless of the device used to open them. This ensures that the content appears exactly as intended by the author, with no loss of formatting or missing graphics. Additionally, PDF files can be easily annotated, bookmarked, and searched for specific terms, making them highly practical for studying or referencing. When it comes to accessing Honeywell Vision Pro 80installation Manual books and manuals, several platforms offer an extensive collection of resources. One such platform is Project Gutenberg, a nonprofit organization that provides over 60,000 free eBooks. These books are primarily in the public domain, meaning they can be freely distributed and downloaded. Project Gutenberg offers a wide range of classic literature, making it an excellent resource for literature enthusiasts. Another popular platform for Honeywell Vision Pro 80installation Manual books and manuals is Open Library. Open Library is an initiative of the Internet Archive, a non-profit organization dedicated to digitizing cultural artifacts and making them accessible to the public. Open Library hosts

millions of books, including both public domain works and contemporary titles. It also allows users to borrow digital copies of certain books for a limited period, similar to a library lending system. Additionally, many universities and educational institutions have their own digital libraries that provide free access to PDF books and manuals. These libraries often offer academic texts, research papers, and technical manuals, making them invaluable resources for students and researchers. Some notable examples include MIT OpenCourseWare, which offers free access to course materials from the Massachusetts Institute of Technology, and the Digital Public Library of America, which provides a vast collection of digitized books and historical documents. In conclusion, Honeywell Vision Pro 80installation Manual books and manuals for download have transformed the way we access information. They provide a cost-effective and convenient means of acquiring knowledge, offering the ability to access a vast library of resources at our fingertips. With platforms like Project Gutenberg, Open Library, and various digital libraries offered by educational institutions, we have access to an ever-expanding collection of books and manuals. Whether for educational, professional, or personal purposes, these digital resources serve as valuable tools for continuous learning and self-improvement. So why not take advantage of the vast world of Honeywell Vision Pro 80installation Manual books and manuals for download and embark on your journey of knowledge?

FAQs About Honeywell Vision Pro 80installation Manual Books

How do I know which eBook platform is the best for me? Finding the best eBook platform depends on your reading preferences and device compatibility. Research different platforms, read user reviews, and explore their features before making a choice. Are free eBooks of good quality? Yes, many reputable platforms offer high-quality free eBooks, including classics and public domain works. However, make sure to verify the source to ensure the eBook credibility. Can I read eBooks without an eReader? Absolutely! Most eBook platforms offer webbased readers or mobile apps that allow you to read eBooks on your computer, tablet, or smartphone. How do I avoid digital eye strain while reading eBooks? To prevent digital eye strain, take regular breaks, adjust the font size and background color, and ensure proper lighting while reading eBooks. What the advantage of interactive eBooks? Interactive eBooks incorporate multimedia elements, quizzes, and activities, enhancing the reader engagement and providing a more immersive learning experience. Honeywell Vision Pro 80installation Manual is one of the best book in our library for free trial. We provide copy of Honeywell Vision Pro 80installation Manual in digital format, so the resources that you find are reliable. There are also many Ebooks of related with Honeywell Vision Pro 80installation Manual. Where to download Honeywell Vision Pro 80installation Manual online for free? Are you looking for Honeywell Vision Pro 80installation Manual PDF? This is definitely going to save you time and cash in something you should think about. If you trying to find then search around for online. Without a doubt there are numerous these available and

many of them have the freedom. However without doubt you receive whatever you purchase. An alternate way to get ideas is always to check another Honeywell Vision Pro 80installation Manual. This method for see exactly what may be included and adopt these ideas to your book. This site will almost certainly help you save time and effort, money and stress. If you are looking for free books then you really should consider finding to assist you try this. Several of Honeywell Vision Pro 80installation Manual are for sale to free while some are payable. If you arent sure if the books you would like to download works with for usage along with your computer, it is possible to download free trials. The free guides make it easy for someone to free access online library for download books to your device. You can get free download on free trial for lots of books categories. Our library is the biggest of these that have literally hundreds of thousands of different products categories represented. You will also see that there are specific sites catered to different product types or categories, brands or niches related with Honeywell Vision Pro 80installation Manual. So depending on what exactly you are searching, you will be able to choose e books to suit your own need. Need to access completely for Campbell Biology Seventh Edition book? Access Ebook without any digging. And by having access to our ebook online or by storing it on your computer, you have convenient answers with Honeywell Vision Pro 80installation Manual To get started finding Honeywell Vision Pro 80installation Manual, you are right to find our website which has a comprehensive collection of books online. Our library is the biggest of these that have literally hundreds of thousands of different products represented. You will also see that there are specific sites catered to different categories or niches related with Honeywell Vision Pro 80installation Manual So depending on what exactly you are searching, you will be able tochoose ebook to suit your own need. Thank you for reading Honeywell Vision Pro 80installation Manual. Maybe you have knowledge that, people have search numerous times for their favorite readings like this Honeywell Vision Pro 80installation Manual, but end up in harmful downloads. Rather than reading a good book with a cup of coffee in the afternoon, instead they juggled with some harmful bugs inside their laptop. Honeywell Vision Pro 80installation Manual is available in our book collection an online access to it is set as public so you can download it instantly. Our digital library spans in multiple locations, allowing you to get the most less latency time to download any of our books like this one. Merely said, Honeywell Vision Pro 80installation Manual is universally compatible with any devices to read.

Find Honeywell Vision Pro 80installation Manual :

gmc radio wiring guide

~~gogear-vibe-8gb-manual~~

go math florida grade 5 enrichment

godrej eon refrigerator manual

godeys fashions coloring dover fashion

go math florida grade 5 home practice

gmc sierra 2004 service manual

gods wonderful railway permanent way

gm manual overdrive transmissions

godwin pump dri prime parts manual

go pro hero instruction manual

gods are not to blame novel

gmk5165 lagrange crane 45693

going once forces of nature book

go math florida grade practice

Honeywell Vision Pro 80installation Manual :

lcc trouble shooting guide for demus - Jan 14 2023

web troubleshooting has been made with the help of dls bza for helping the maintenance staff to understand the functioning of lcc and how to rectify various defects railways are requested to go through and help in further improvising it so that it

introduction handbook on general motor diesel locomotives - Jul 20 2023

web all those in the field of diesel locomotive need to get acquainted with the gm locomotive this book introduction hand book on gm locomotive prepared by the camtech has been prepared with the purpose of disseminating the introductory information to all those in diesel loco maintenance field

here s why diesel train engines are not turned off drivespark - Apr 17 2023

web feb 25 2018 diesel locomotives are slowly disappearing from the indian railway scene the amount of fuel dependency and the maintenance issues which come along with diesel engines are the primary reason for this

locomotive troubleshooting mth electric trains - Jun 07 2022

web ps3 ho diesel and electric troubleshooting chart pdf use this chart to troubleshoot ho diesel and electric locomotives equipped with proto sound 3 0 protosound 3 0 basic dcc troubleshooting pdf

mechanical engineering publications indian railways - Feb 15 2023

web 16 draft video film on critical troubleshooting of wdp4 d loco 2013 14 1 pamphlet on safety at work place in diesel sheds 2 pocket book on computer controlled brake ccb fitted on diesel locomotive 3 trouble shooting guide for gm locomotive wdp4 wdg4 4 handbook on microprocessor based controlled system version 3 5

egkjkltij xokfy j 474005 indian railways institute of - Aug 21 2023

web air brake failure use loco in trail only 41 2 24 air brake system trouble shooting in ghat 41 1 0 mr pressure dropping with em2000 crew message low main reservoir equalizing pressure use loco in trail only fc 2977 in lead working loco 41

for diesel locomotives indian railways institute of - Jun 19 2023

web diesel locomotives revised december 2013 document no version no 1 0 d0 date issued dd mm yyyy document title manual maintenance for diesel locomotives revised 2013 printed 2015 03 08 ii preface indian railways maintenance manual for diesel loco popularly known as white manual was

safety devices of diesel electric locomotives - May 06 2022

web mar 8 2015 4 vrr fuse located in electric front panel unavailable in mep loco 5 flasher light located to the left of head light 6 ops oil pressure switch 7 gfolr generator field over loading relay c misc 1 mr safety valve with mr 1 loco left side 2 inter cooler safety valve in expressor room 3 pcs power cut out switch 4

diesel loco troubleshooting - Apr 05 2022

web sep 7 2023 diesel loco troubleshooting pdf acaibeere365 de measurement and evaluation of reliability availability mep 803a mep 813a operators manual tm 9 6115 642 10 pdf repair shops north america railmodeling com lionel scale gp9 diesel locomotive owner s manual

diesel locos troubleshooting apps on google play - Mar 16 2023

web jul 19 2017 50k downloads everyone info about this app arrow forward this application helps the user in troubleshooting assistance for different types of diesel locomotives including demus

how easy is it to start and run a diesel electric locomotive - Aug 09 2022

web enter any name wait 107 seconds see instant results starting and running a diesel electric locomotive can be a complex task that requires specialized knowledge and training the process typically involves several steps including pre starting checks starting the engine powering up the elec

diesel locos troubleshooting apk for android download - Nov 12 2022

web jun 9 2023 diesel locos troubleshooting is an android application that offers users troubleshooting assistance for various types of diesel locomotives including demus the app provides access to trouble categories fault

diesel loco troubleshooting lfe io - Oct 11 2022

web tractive effort meter not responding in hhp loco troubleshooting vcd resetting how diesel electric loco works 3d animation 1 12 starting circuit of dc dc loco with edc governor how to troubleshoot ho locomotives dmu diesel train driver part 3 dealing with faults fuse melt trouble

british rail class 37 wikipedia - Mar 04 2022

web the british rail class 37 is a diesel electric locomotive also known as the english electric type 3 the class was ordered as part of the british rail modernisation plan they were numbered in two series d6600 d6608 and d6700 d6999 the class 37 became a familiar sight on many parts of the british rail network in particular forming the main motive

unit8 trouble shooting indian railways institute of mechanical - Sep 22 2023

web introduction troubles troubles in dead and idling locomotives 3 1 engine not taking start 3 2 some of the auxiliary machines are not running 3 3 loco can not move not getting power 3 4 loco starting with heavy jerk 3 5 loco is moving but load meter is showing zero or negative 3 6 low hauling power

operation and management of diesel loco - Dec 13 2022

web allotment distribution and adjustments of locos to zones development of maintenance facility daily outage working of locos of one railway in other railway according to directive and quota reliability of loco operation by monitoring punctuality of important trains failure analysis with regard to performance

diesel loco troubleshooting - Sep 10 2022

web 2 diesel loco troubleshooting 2022 04 19 published in the years before during and after the second world war the steam locomotive reached its finest hour just as the diesels started arriving a world war broke out this put a terrible strain on the railroads requiring them to move more tonnage in freight and passengers than ever before

diesel loco troubleshooting - Jul 08 2022

web diesel loco troubleshooting downloaded from graph safehousetech com by guest buck nunez the big book of lionel createspace independent publishing platform in the years before during and after the second world war the steam locomotive reached its finest hour just as the diesels started arriving a world war broke out this put a terrible

hand book on ccb ii diesel locomotives indian railways - May 18 2023

web this hand book contains trouble shootings of ccb ii fitted locomotives for diesel loco pilots loco pilots should understand the steps of trouble shooting sequentially to save time during fault findings enroute the purpose of hand book is to enhance knowledge and competence of loco pilots in dealing with the problems of diesel locomotive on

fitted on diesel locomotives indian railways - Oct 23 2023

web this book contains trouble shootings on micro processor based control system mep 660 ver 3 0 fitted locomotives for diesel loco pilots loco pilots should understand the steps of trouble shooting sequentially to save time during fault findings enroute the purpose of this book is to enhance knowledge and

loading interface goodreads - Dec 26 2021

web these best skin poems are the top skin poems on poetrysoup these are examples of the best skin poems written by poetrysoup members october i m eighteen shortcutting home through an autumn burnished churchyard copper lustred leaves

moss skinned stone a jaunty swing of skater skirt and arm college folder square sturdy in my hand in

skinned selected poems hardcover 7 may 2013 amazon in - Apr 29 2022

web skinned selected poems antjie krog the cambridge hymnal david poston elizabeth editors holbrook biggles learns to fly

knight books w e johns journeys of the mind alan pemberton exception a texas county s dream for realizing juvenile justice

greg sumpter the essentials of medical chemistry urinalysis classic

skinned selected poems kindle edition amazon ca - Sep 03 2022

web skinned selected poems is written by antjie krog and published by seven stories press rhp the digital and etextbook isbn

for skinned are 9781609804640 1609804643 and the print isbn are 9781609804633 1609804635 save up to 80 versus print

by going digital with vitalsource

skinned selected poems by antjie krog 2013 hardcover ebay - Mar 29 2022

web sep 30 2021 special agent rylee by mimi barbour free statement of participation on completion prisoner 374215 the esto

universe by angel martinez goodreads author 403917 the demon lover by juliet dark forty years in south china the life o

skinned selected poems antjie krog 30 000 readers 6 3 technology versus pedagogy

best skin poems poetrysoup com - Oct 24 2021

skinned selected poems antjie krog - Jan 27 2022

web poems about thin skinned at the world s largest poetry site ranked poetry on thin skinned by famous modern poets learn

how to write a poem about thin skinned and share it login register help poems write groups all groups free writing courses

famous poetry classics forums poet s suggestions

skinned selected poems harvard book store - Oct 04 2022

web select the department you want to search in

skinned selected poems krog antjie 9781609804633 - Jan 07 2023

web buy the kobo ebook book skinned selected poems by antjie krog at indigo ca canada s largest bookstore free shipping

and pickup in store on eligible orders

skinned on apple books - Nov 05 2022

web apr 16 2013 hello sign in account lists returns orders cart

skinned poems antjie krog google books - Jun 12 2023

web apr 15 2013 skinned poems antjie krog penguin random house south africa apr 15 2013 poetry 174 pages a co

publication with american publisher seven stories press of a new collection of

skinned selected poems antjie krog google books - Aug 14 2023

web apr 16 2013 one of south africa s greatest living poets selects from her most recent poems and also from the poems and the themes that best represent her from across her long career part one of skinned

skinned selected poems by antjie krog books on google play - Jul 13 2023

web skinned selected poems ebook written by antjie krog read this book using google play books app on your pc android ios devices download for offline reading highlight bookmark or take notes while you read skinned selected poems

skinned selected poems indigo books music inc - Dec 06 2022

web apr 16 2013 skinned selected poems antjie krog 14 99 14 99 publisher description one of south africa s greatest living poets selects from her most recent poems and also from the poems and the themes that best represent her from across her long career part one of skinned genre fiction literature released 2013 april 16 language en

skinned by antjie krog open library - Apr 10 2023

web may 7 2013 one of south africa s greatest living poets selects from her most recent poems and also from the poems and the themes that best represent her from

skinned selected poems kindle edition amazon com - May 11 2023

web jan 24 2023 by antjie krog 0 ratings 0 want to read 0 currently reading 0 have read krog selects from her most recent poems and also from the poems and the themes that best represent her from across her long career part one contains poems about writing family and love poems

skinned selected poems by antjie krog hardcover - Mar 09 2023

web about skinned one of south africa s greatest living poets selects from her most recent poems and also from the poems and the themes that best represent her from across her long career part one of skinned contains poems about writing family and love poems the poems in second part were chosen from a volume featuring a long epic poem based

skinned selected poems antjie krog - Feb 25 2022

web discover and share books you love on goodreads

antjie krog presents a translated selection of her poetry as - May 31 2022

web find many great new used options and get the best deals for skinned selected poems by antjie krog 2013 hardcover at the best online prices at ebay free shipping for many products

skinned 9781609804633 9781609804640 vitalsource - Jul 01 2022

web amazon in buy skinned selected poems book online at best prices in india on amazon in read skinned selected poems book reviews author details and more at amazon in free delivery on qualified orders

skinned by antjie krog 9781609804633 penguin random house - Feb 08 2023

web abebooks com skinned selected poems 9781609804633 by krog antjie and a great selection of similar new used and

collectible books available now at great prices

[skinned selected poems krog antjie amazon com be books](#) - Aug 02 2022

web apr 29 2013 part one of skinned contains poems about writing family and love the poems in the second part are from the epic poem based on the life of lady anne barnard and were written during the height of apartheid

thin skinned poems all poetry - Nov 24 2021

skinned selected poems amazon com - Sep 22 2021

advanced cardiac life support acs in adults uptodate - Jun 13 2023

web aug 3 2023 supportive data for advanced cardiac life support in adults with sudden cardiac arrest therapies of uncertain benefit in basic and advanced cardiac life support third degree complete atrioventricular block

advances in cardiopulmonary life support change the meaning - Jul 02 2022

web jun 4 2020 yuzefpolskaya m uriel n flannery m et al advanced cardiovascular life support algorithm for the management of the hospitalized unresponsive patient on continuous flow left ventricular assist device support outside the intensive care unit

basic and advanced cardiac life support what s new pubmed - Dec 07 2022

web discussion the latest australian resuscitation council guidelines on basic and advanced life support emphasise the importance of early recognition of deterioration before cardiac arrest once resuscitation commences there is a focus on early defibrillation and early chest compressions with a simplification of drug treatment

advanced cardiac life support update on recent guidelines and a - Feb 09 2023

web advanced cardiac life support update on recent guidelines and a look at the future kiw y i tucker m d james l larson m d ahamed dris m d anne b curtis m d section of electrophysiology cardiology division of the department of medicine university of florida college of medicine gnone ville florida usa

[part 6 advanced cardiovascular life support circulation](#) - Apr 11 2023

web aug 22 2000 improving survival from sudden cardiac arrest the chain of survival concept a statement for health professionals from the advanced cardiac life support subcommittee and the emergency cardiac care committee american heart association

part 7 adult advanced cardiovascular life support circulation - Aug 15 2023

web introduction basic life support bls advanced cardiovascular life support acs and post cardiac arrest care are labels of convenience that each describe a set of skills and knowledge that are applied sequentially during the treatment of patients

who have a cardiac arrest there is overlap as each stage of care progresses to the next

uptodate - Nov 06 2022

web these european resuscitation council advanced life support guidelines are based on the 2020 international consensus on cardiopulmonary resuscitation science with treatment recommendations this section provides guidelines on the prevention of and als treatments for both in hospital cardiac arrest and out of hospital cardiac arrest ad

updated aha basic and advanced cardiac life support guidance lww - Feb 26 2022

web the american heart association released an updated basic and advanced cardiac life support guidance that incorporates the latest knowledge regarding covid 19 and its transmissibility this article details the new guidance including strategies for reducing provider risk and exposure and for special patient care situations figure

circulation cardiovascular quality and outcomes aha asa - Aug 03 2022

web 2022 interim guidance to health care providers for basic and advanced cardiac life support in adults children and neonates with suspected or confirmed covid 19 from the emergency cardiovascular care committee and get with the guidelines resuscitation adult and pediatric task forces of the american heart association in

advanced cardiovascular life support in aha guidelines 2010 - Jan 08 2023

web 21591414 abstract in cardiopulmonary cerebral resuscitation cpcr advanced cardiovascular life support acls is a part of chain of survival and effects on resuscitation outcome as the interventions which increase the likelihood of rosc and as the continuing step to the post cardiac arrest care

advanced life support update researchgate - Jan 28 2022

web jan 1 2022 the last 90 day follow up was on april 21 2021 unresponsive to initial standard advanced cardiac life support acls treatment changes in temperature management of cardiac arrest

adult advanced life support 2020 international consensus on - May 12 2023

web this 2020 international consensus on cardiopulmonary resuscitation and emergency cardiovascular care science with treatment recommendations for advanced life support includes updates on multiple advanced life support topics addressed with 3 different types of reviews topics were prioritized on the basis of both recent interest

recent progress in advanced cardiac life support sciencedirect - Jun 01 2022

web apr 1 2000 the revised guidelines for advanced cardiac life support acls from the american heart association are anticipated in the fall of 2000 although dramatic changes in the approach to adult basic and acls are not anticipated several controversies and new drugs on the horizon may radically change our approach to emergent cardiac

advanced cardiac life support what s new what s old pubmed - Mar 10 2023

web advanced cardiac life support what s new what s old advanced cardiac life support what s new what s old 10 1016 j jen

2012 03 001 epub 2012 may 15 authors jamie m rosini 1 meredith k hollinger affiliation 1 emergency medicine christiana care health system newark de usa jrosini christianacare org pmid 22595682 doi

[part 7 adult advanced cardiovascular life support circulation](#) - Oct 05 2022

web part 7 adult advanced cardiovascular life support 2015 american heart association guidelines update for cardiopulmonary resuscitation and emergency cardiovascular care circulation 2015 132 suppl 2 s444 s464

[part 6 advanced cardiovascular life support section 1 pubmed](#) - Dec 27 2021

web aug 23 2000 part 6 advanced cardiovascular life support section 1 introduction to acls 2000 overview of recommended changes in acls from the guidelines 2000 conference european resuscitation council

adult advanced life support 2020 international consensus on - Jul 14 2023

web oct 21 2020 abstract this 2020 international consensus on cardiopulmonary resuscitation and emergency cardiovascular care science with treatment recommendations for advanced life support includes updates on multiple advanced life support topics addressed with 3 different types of reviews

[uptodate](#) - Sep 04 2022

web design and setting case series of 176 adult patients with out of hospital cardiac arrest treated by paramedics and nurse anesthetists in stockholm sweden london england and akershus norway between march 2002 and october 2003 the defibrillators recorded chest compressions via a sternal pad fitted with an accelerometer and ventilations by

2022 interim guidance to health care providers for basic and advanced - Mar 30 2022

web jan 24 2022 home circulation cardiovascular quality and outcomes vol 15 no 4 2022 interim guidance to health care providers for basic and advanced cardiac life support in adults children and neonates with suspected or confirmed covid 19 from the emergency cardiovascular care committee and get with the guidelines

[advanced life support update critical care full text](#) - Apr 30 2022

web mar 22 2022 in this chapter we summarize key practice recommendations drawn from the most recent guideline updates relating to advanced life support als 4 5 post resuscitation care and prognostication