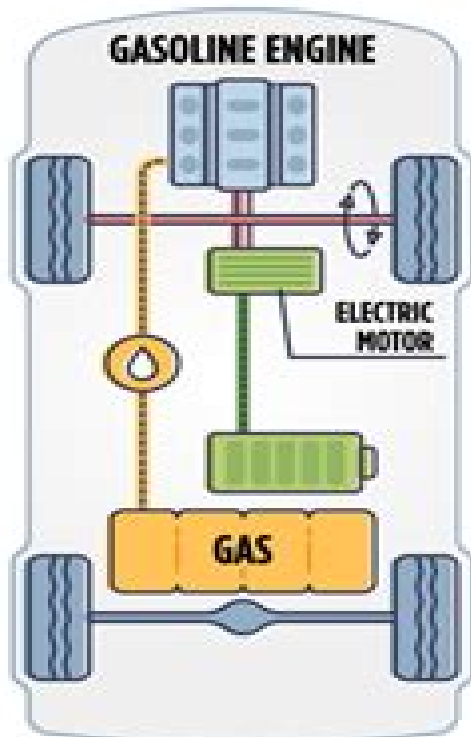


TYPES OF ELECTRIC VEHICLES

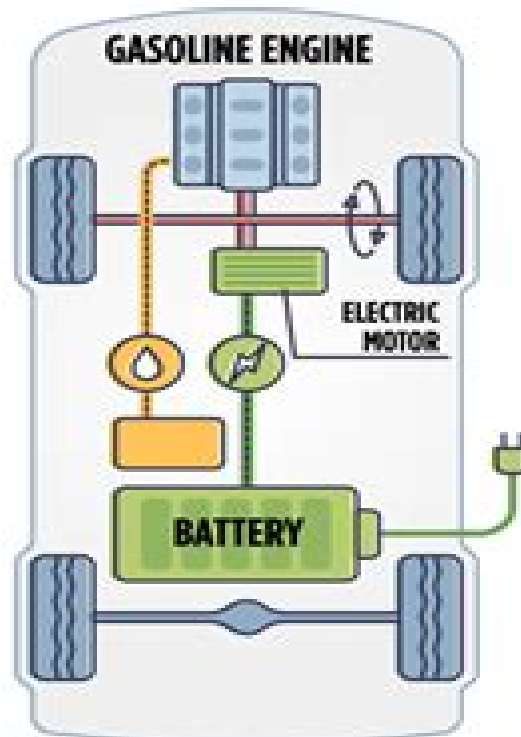
HEV
HYBRID ELECTRIC
VEHICLE



FUEL
GASOLINE



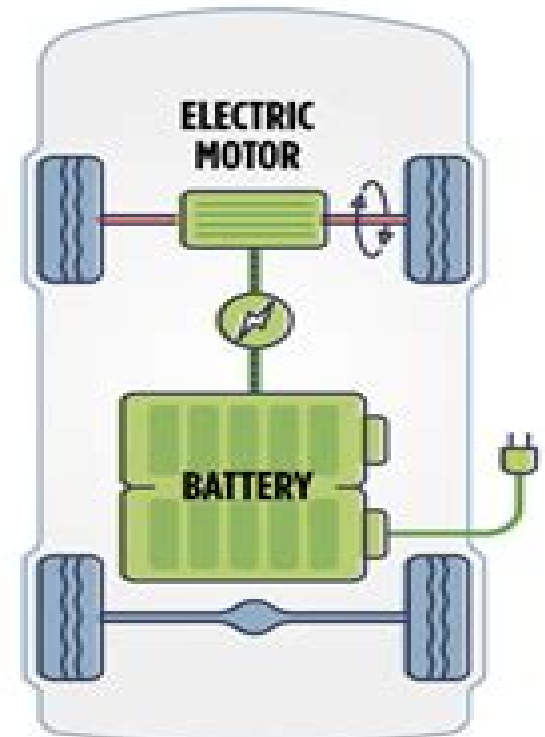
PHEV
PLUG-IN HYBRID ELECTRIC
VEHICLE



FUEL
GASOLINE AND / OR
ELECTRICITY FROM GRID



BEV
BATTERY ELECTRIC
VEHICLE



FUEL
100% ELECTRICITY
FROM GRID



Hybrid And Electrical Vehicle Field Guide

J Elliott



Hybrid And Electrical Vehicle Field Guide:

Hybrid and Electric Vehicle Emergency Field Guide, 2013 Edition National Fire Protection Association, 2013

Fundamentals of Fire Fighter Skills Iafc, 2012-12-27 Evidence Based Practices for Strategic and Tactical Firefighting is a synopsis of the UL NIST research studies and experiments on fire behavior and techniques for ventilation fire suppression and search and rescue as a result of the changes in modern building construction and furnishing materials As a result of these changes today s fires release energy faster reach flashover potential sooner may reach higher temperatures and are much more likely to become ventilation limited than building fires of even a few years ago Developed in partnership with the International Association of Fire Chiefs IAFC and National Fire Protection Association NFPA Evidence Based Practices for Strategic and Tactical Firefighting details many of the findings discovered as the result of an ongoing series of experiments conducted by NIST UL and the New York City Fire Department FDNY and provides the most up to date information available today for Fire Fighter Fire Officer and Fire Science students Additional information about these and other fire experiments can be obtained online at the NIST website by searching under Fire Fighting Technology and at the UL website by searching under Fire Fighter Safety Research Institute 2016 24 pages *Electric Vehicle Systems Architecture and Standardization Needs* Beate Müller, Gereon Meyer, 2015-02-25 This edited volume presents research results of the PPP European Green Vehicle Initiative EGVI focusing on Electric Vehicle Systems Architecture and Standardization Needs The objectives of energy efficiency and zero emissions in road transportation imply a paradigm shift in the concept of the automobile regarding design materials and propulsion technology A redesign of the electric and electronic architecture provides in many aspects additional potential for reaching these goals At the same time standardization within a broad range of features components and systems is a key enabling factor for a successful market entry of the electric vehicle EV It would lower production cost increase interoperability and compatibilities and sustain market penetration Hence novel architectures and testing concepts and standardization approaches for the EV have been the topic of an expert workshop of the European Green Vehicles Initiative PPP This book contains the contributions of current European research projects on EV architecture and an expert view on the status of EV standardization The target audience primarily comprises researchers and experts in the field [Modeling and Simulation for Electric Vehicle Applications](#) Mohamed Amine Fakhfakh, 2016-10-05 The book presents interesting topics from the area of modeling and simulation of electric vehicles application The results presented by the authors of the book chapters are very interesting and inspiring The book will familiarize the readers with the solutions and enable the readers to enlarge them by their own research It will be useful for students of Electrical Engineering it helps them solve practical problems **Highway Safety Literature** ,1977 **Monthly Catalogue, United States Public Documents** ,1980-03 **Wireless Power Transfer for Electric Vehicles and Mobile Devices** Chun T. Rim, Chris Mi, 2017-05-25 From mobile cable free re charging of electric vehicles smart phones and laptops to collecting solar electricity

from orbiting solar farms wireless power transfer WPT technologies offer consumers and society enormous benefits Written by innovators in the field this comprehensive resource explains the fundamental principles and latest advances in WPT and illustrates key applications of this emergent technology Key features and coverage include The fundamental principles of WPT to practical applications on dynamic charging and static charging of EVs and smartphones Theories for inductive power transfer IPT such as the coupled inductor model gyrator circuit model and magnetic mirror model IPTs for road powered EVs including controller compensation circuit electro magnetic field cancel large tolerance power rail segmentation and foreign object detection IPTs for static charging for EVs and large tolerance and capacitive charging issues as well as IPT mobile applications such as free space omnidirectional IPT by dipole coils and 2D IPT for robots Principle and applications of capacitive power transfer Synthesized magnetic field focusing wireless nuclear instrumentation and future WPT A technical asset for engineers in the power electronics internet of things and automotive sectors Wireless Power Transfer for Electric Vehicles and Mobile Devices is an essential design and analysis guide and an important reference for graduate and higher undergraduate students preparing for careers in these industries

Vehicle Rescue and Extrication: Principles and Practice, Revised Second Edition David Sweet,2021-06-25 This textbook helps technical rescue professionals remain safe and capable by delivering the most current practical skills and information available on today s increasingly technical vehicles *Energy Research Abstracts* ,1984 [Firefighting Strategies and Tactics includes Navigate Advantage Access](#) James S. Angle,Michael F. Gala Jr.,David Harlow,William B. Lombardo,2019-12-30 The Fourth Edition of Firefighting Strategies and Tactics meets and exceeds the course outcomes of the National Fire Academy s Fire and Emergency Services Higher Education FESHE course Strategy and Tactics C0279 Firefighting Strategies and Tactics Fourth Edition is a valuable resource for fire fighters studying for promotion or taking civil service examinations The Fourth Edition reinforces safe and effective firefighting strategies and tactics for fire fighters and fire officers to employ during a wide spectrum of fire incidents The chapters follow a natural progression each chapter building on the previous foundation to provide a broad understanding of firefighting strategy and tactics Firefighting Strategies and Tactics Fourth Edition offers in depth coverage of potential incident hazards strategic goals and tactical objectives at One and two family dwellingsMultiple family dwellingsCommercial buildingsPlaces of assemblyHigh rise buildingsVehicle firesWildland firesThe Fourth Edition also includes An Emphasis on Safety Safety and professionalism are stressed throughout the chapters and are reinforced through discussions of incident effectiveness hazard awareness and strategic decision making Information for Today s Fire Service Expanded and new discussions on geographic information system GIS mapping drone use for creating preincident plans cancer risks in the fire service gross decontamination of bunker gear after fires to reduce carcinogens lookouts communications escape routes and safety zones LCES and deployment of rapid intervention crews at wildland fires Engaging Case Studies Opening each chapter case studies highlight actual events to emphasize the importance of developing sound

strategies and tactics to fight fires effectively and safely Additional case studies close out each chapter and provide students an opportunity to test their understanding in a safe environment Knowledge in Action The final chapter demonstrates how the strategies and tactics throughout this resource may be applied in scenarios set at various types of occupancies This feature offers students an opportunity to see how concepts are applied in the real world

This is likewise one of the factors by obtaining the soft documents of this **Hybrid And Electrical Vehicle Field Guide** by online. You might not require more become old to spend to go to the ebook establishment as with ease as search for them. In some cases, you likewise reach not discover the pronouncement Hybrid And Electrical Vehicle Field Guide that you are looking for. It will no question squander the time.

However below, next you visit this web page, it will be suitably agreed simple to acquire as well as download guide Hybrid And Electrical Vehicle Field Guide

It will not believe many get older as we run by before. You can complete it while discharge duty something else at home and even in your workplace. as a result easy! So, are you question? Just exercise just what we pay for below as competently as review **Hybrid And Electrical Vehicle Field Guide** what you subsequent to to read!

<https://staging.conocer.cide.edu/book/book-search/index.jsp/Gobble%20The%20Complete%20Of%20Thanksgiving%20Words.pdf>

Table of Contents Hybrid And Electrical Vehicle Field Guide

1. Understanding the eBook Hybrid And Electrical Vehicle Field Guide
 - The Rise of Digital Reading Hybrid And Electrical Vehicle Field Guide
 - Advantages of eBooks Over Traditional Books
2. Identifying Hybrid And Electrical Vehicle Field Guide
 - Exploring Different Genres
 - Considering Fiction vs. Non-Fiction
 - Determining Your Reading Goals
3. Choosing the Right eBook Platform
 - Popular eBook Platforms
 - Features to Look for in an Hybrid And Electrical Vehicle Field Guide
 - User-Friendly Interface

4. Exploring eBook Recommendations from Hybrid And Electrical Vehicle Field Guide
 - Personalized Recommendations
 - Hybrid And Electrical Vehicle Field Guide User Reviews and Ratings
 - Hybrid And Electrical Vehicle Field Guide and Bestseller Lists
5. Accessing Hybrid And Electrical Vehicle Field Guide Free and Paid eBooks
 - Hybrid And Electrical Vehicle Field Guide Public Domain eBooks
 - Hybrid And Electrical Vehicle Field Guide eBook Subscription Services
 - Hybrid And Electrical Vehicle Field Guide Budget-Friendly Options
6. Navigating Hybrid And Electrical Vehicle Field Guide eBook Formats
 - ePub, PDF, MOBI, and More
 - Hybrid And Electrical Vehicle Field Guide Compatibility with Devices
 - Hybrid And Electrical Vehicle Field Guide Enhanced eBook Features
7. Enhancing Your Reading Experience
 - Adjustable Fonts and Text Sizes of Hybrid And Electrical Vehicle Field Guide
 - Highlighting and Note-Taking Hybrid And Electrical Vehicle Field Guide
 - Interactive Elements Hybrid And Electrical Vehicle Field Guide
8. Staying Engaged with Hybrid And Electrical Vehicle Field Guide
 - Joining Online Reading Communities
 - Participating in Virtual Book Clubs
 - Following Authors and Publishers Hybrid And Electrical Vehicle Field Guide
9. Balancing eBooks and Physical Books Hybrid And Electrical Vehicle Field Guide
 - Benefits of a Digital Library
 - Creating a Diverse Reading Collection Hybrid And Electrical Vehicle Field Guide
10. Overcoming Reading Challenges
 - Dealing with Digital Eye Strain
 - Minimizing Distractions
 - Managing Screen Time
11. Cultivating a Reading Routine Hybrid And Electrical Vehicle Field Guide
 - Setting Reading Goals Hybrid And Electrical Vehicle Field Guide
 - Carving Out Dedicated Reading Time

12. Sourcing Reliable Information of Hybrid And Electrical Vehicle Field Guide
 - Fact-Checking eBook Content of Hybrid And Electrical Vehicle Field Guide
 - Distinguishing Credible Sources
13. Promoting Lifelong Learning
 - Utilizing eBooks for Skill Development
 - Exploring Educational eBooks
14. Embracing eBook Trends
 - Integration of Multimedia Elements
 - Interactive and Gamified eBooks

Hybrid And Electrical Vehicle Field Guide Introduction

Hybrid And Electrical Vehicle Field Guide Offers over 60,000 free eBooks, including many classics that are in the public domain. Open Library: Provides access to over 1 million free eBooks, including classic literature and contemporary works. Hybrid And Electrical Vehicle Field Guide Offers a vast collection of books, some of which are available for free as PDF downloads, particularly older books in the public domain. Hybrid And Electrical Vehicle Field Guide : This website hosts a vast collection of scientific articles, books, and textbooks. While it operates in a legal gray area due to copyright issues, its a popular resource for finding various publications. Internet Archive for Hybrid And Electrical Vehicle Field Guide : Has an extensive collection of digital content, including books, articles, videos, and more. It has a massive library of free downloadable books. Free-eBooks Hybrid And Electrical Vehicle Field Guide Offers a diverse range of free eBooks across various genres. Hybrid And Electrical Vehicle Field Guide Focuses mainly on educational books, textbooks, and business books. It offers free PDF downloads for educational purposes. Hybrid And Electrical Vehicle Field Guide Provides a large selection of free eBooks in different genres, which are available for download in various formats, including PDF. Finding specific Hybrid And Electrical Vehicle Field Guide, especially related to Hybrid And Electrical Vehicle Field Guide, might be challenging as theyre often artistic creations rather than practical blueprints. However, you can explore the following steps to search for or create your own Online Searches: Look for websites, forums, or blogs dedicated to Hybrid And Electrical Vehicle Field Guide, Sometimes enthusiasts share their designs or concepts in PDF format. Books and Magazines Some Hybrid And Electrical Vehicle Field Guide books or magazines might include. Look for these in online stores or libraries. Remember that while Hybrid And Electrical Vehicle Field Guide, sharing copyrighted material without permission is not legal. Always ensure youre either creating your own or obtaining them from legitimate sources that allow sharing and downloading. Library Check if your local library offers eBook lending services. Many libraries have digital catalogs where you

can borrow Hybrid And Electrical Vehicle Field Guide eBooks for free, including popular titles. Online Retailers: Websites like Amazon, Google Books, or Apple Books often sell eBooks. Sometimes, authors or publishers offer promotions or free periods for certain books. Authors Website Occasionally, authors provide excerpts or short stories for free on their websites. While this might not be the Hybrid And Electrical Vehicle Field Guide full book, it can give you a taste of the authors writing style. Subscription Services Platforms like Kindle Unlimited or Scribd offer subscription-based access to a wide range of Hybrid And Electrical Vehicle Field Guide eBooks, including some popular titles.

FAQs About Hybrid And Electrical Vehicle Field Guide Books

What is a Hybrid And Electrical Vehicle Field Guide PDF? A PDF (Portable Document Format) is a file format developed by Adobe that preserves the layout and formatting of a document, regardless of the software, hardware, or operating system used to view or print it. **How do I create a Hybrid And Electrical Vehicle Field Guide PDF?** There are several ways to create a PDF: Use software like Adobe Acrobat, Microsoft Word, or Google Docs, which often have built-in PDF creation tools. Print to PDF: Many applications and operating systems have a "Print to PDF" option that allows you to save a document as a PDF file instead of printing it on paper. Online converters: There are various online tools that can convert different file types to PDF. **How do I edit a Hybrid And Electrical Vehicle Field Guide PDF?** Editing a PDF can be done with software like Adobe Acrobat, which allows direct editing of text, images, and other elements within the PDF. Some free tools, like PDFescape or Smallpdf, also offer basic editing capabilities. **How do I convert a Hybrid And Electrical Vehicle Field Guide PDF to another file format?** There are multiple ways to convert a PDF to another format: Use online converters like Smallpdf, Zamzar, or Adobe Acrobats export feature to convert PDFs to formats like Word, Excel, JPEG, etc. Software like Adobe Acrobat, Microsoft Word, or other PDF editors may have options to export or save PDFs in different formats. **How do I password-protect a Hybrid And Electrical Vehicle Field Guide PDF?** Most PDF editing software allows you to add password protection. In Adobe Acrobat, for instance, you can go to "File" -> "Properties" -> "Security" to set a password to restrict access or editing capabilities. Are there any free alternatives to Adobe Acrobat for working with PDFs? Yes, there are many free alternatives for working with PDFs, such as: LibreOffice: Offers PDF editing features. PDFsam: Allows splitting, merging, and editing PDFs. Foxit Reader: Provides basic PDF viewing and editing capabilities. How do I compress a PDF file? You can use online tools like Smallpdf, ILovePDF, or desktop software like Adobe Acrobat to compress PDF files without significant quality loss. Compression reduces the file size, making it easier to share and download. Can I fill out forms in a PDF file? Yes, most PDF viewers/editors like Adobe Acrobat, Preview (on Mac), or various online tools allow you to fill out forms in PDF files by selecting text fields and entering information. Are there any restrictions when working with PDFs?

Some PDFs might have restrictions set by their creator, such as password protection, editing restrictions, or print restrictions. Breaking these restrictions might require specific software or tools, which may or may not be legal depending on the circumstances and local laws.

Find Hybrid And Electrical Vehicle Field Guide :

gobble the complete of thanksgiving words

god and the devil of originally twin brothers and known by the same titles

goblin a wild chimpanzee

glow-in-the-dark animals

global methods in optimal control theory

globalization and the south

go do the same developing parish outreach programs

globe fearon exercises mechanics and usage english skills practice

glorious knits

globalization uncertainty and youth in society

god among the shakers search for stillness and faith at sabbathday lake

global migration and the world economy two centuries of policy and performance

go in peace serve the lord the social ministry of the church

god and i broke up

gnosticism new light on the ancient tradition of inner knowing

Hybrid And Electrical Vehicle Field Guide :

vlsi design lecture notes study material and important - May 16 2023

web vlsi design lecture notes study material and important questions answers free download as pdf file pdf text file txt or read online for free all topics with neat figure diagram and explanation

vlsi design bakshi text help environment harvard edu - Dec 31 2021

web this vlsi design bakshi text as one of the most involved sellers here will totally be in the course of the best options to review digital logic and computer design m morris mano 2017 this book presents the basic concepts used in the design and analysis of digital systems and introduces the principles of digital computer organization and

vlsi design bakshi text agenciaojs mincyt gob ar - Apr 15 2023

web bakshi text below principles of cmos vlsi design neil west 2000 12 this book conveys an understanding of cmos technology circuit design layout and system design sufficient to the designer the book deals with the technology down to the layout level of detail thereby providing a bridge from a circuit to a form that may be fabricated the

[vlsi design bakshi text pdf pdf voto uncal edu](#) - May 04 2022

web vlsi design bakshi text pdf vlsi design bakshi text pdf vlsi design bakshi text pdf book review unveiling the power of words in a global driven by information and connectivity the ability of words has be much more evident than ever they have the ability to inspire provoke and ignite change such is the essence of the book vlsi design

[vlsi design pdf pdf mosfet field effect transistor scribd](#) - Aug 19 2023

web vlsi circuit design processes vlsi design flow mos layers stick diagrams design rules and layout lambda λ based design rules for wires contacts and transistors layout diagrams for nmos and cmos inverters and gates scaling of mos circuits limitations of scaling

vlsi design bakshi text verify meetcircle com - Aug 07 2022

web williams chapman embedded system design phi learning pvt ltd new advances in semiconductors brings together contributions from important researchers around the world on semiconductor materials and their applications it includes seven chapters in two sections calculations and simulations in semiconductors and semiconductor materials

[vlsi design bakshi text cyberlab sutd edu sg](#) - Feb 13 2023

web vlsi design bakshi text kashmir text of speeches in the security council on february 5 10 1964 oct 28 2021 electrical measurements jan 11 2023 design considerations type of p f meters dynamometer and moving iron type 1 ph and 3 ph meters frequency meters resonance type and weston type

vlsi design bakshi text whichissed visionaustralia org - Oct 09 2022

web june 21st 2018 vlsi design bakshi text pdf free download here students have a wide choice amongst the specialized fields of whichissed visionaustralia org 2 14 electronics and communication viz vlsi design introduction to vlsi systems 1978 pdf july 14th 2018 fig 9 patterning si02 fig 10

vlsi design bakshi text pdf copy prodigiousness org - Jul 06 2022

web jun 17 2023 vlsi design bakshi text pdf is available in our book collection an online access to it is set as public so you can download it instantly our digital library spans in multiple countries allowing you to get

[vlsi design ebook v s bagad amazon in kindle store](#) - Jan 12 2023

web vlsi design for be anna university r17 cbcs vii eee prof elec iv ec8095 v s bagad 1 kindle edition 1 offer from 290 00

vlsi design bakshi text uniport edu ng - Mar 14 2023

web may 5 2023 the revelation as competently as perception of this vlsi design bakshi text can be taken as skillfully as picked to act digital electronics anil k maini 2007 09 27 the fundamentals and implementation of digital electronics are essential to understanding the design and working of consumer industrial electronics communications

vlsi design bakshi text assets docseducation - Feb 01 2022

web may 26 2023 bakshi text by online if you enterprise to acquire and deploy the vlsi design bakshi text it is completely simple then at present we extend the associate to buy and create bargains to download and configure vlsi design bakshi text therefore easy in the direction of them is this vlsi design bakshi text that can be your companion

vlsi design courses subjects colleges syllabus scope - Jun 05 2022

web the following is a list of well known colleges in india that offer a vlsi design degree colleges fees hit kolkata heritage institute of technology rs 2 56 lakhs kle technological university hubballi rs 2 20 lakhs university college of science technology university of calcutta kolkata

[vlsi design bakshi text pdf jidychitta com](#) - Jul 18 2023

web kindly say the vlsi design bakshi text pdf is universally compatible with any devices to read signals and systems a anand kumar 2012 02 04 this comprehensive text on control systems is designed for undergraduate students pursuing courses in electronics and communication engineering electrical and electronics engineering

vlsi design very large scale integration textbook ece books - Jun 17 2023

web about vlsi design book this revised textbook has been updated and it covers several topics such as nmos bicmos cmos and gallium arsenide technologies in every aspect it presents readers with a direct and inclusive treatment of

vlsi design bakshi text qa nuevesolutions com - Mar 02 2022

web this online pronouncement vlsi design bakshi text can be one of the options to accompany you afterward having other time it will not waste your time take me the e book will completely vent you new thing to read just invest little period to admission this on line proclamation vlsi design bakshi text as with ease as review them wherever you

vlsi design book by bakshi pdf free download lasopalog - Dec 11 2022

web jun 22 2013 buy vlsi design sem vi ece for anna university v s book online at best prices in india on bakshi u a bakshi a v home electronics engineering books vlsi books a i read full message here title vlsi textbook pdf by bakshi free download page link vlsi

vlsi design by v s bagad goodreads - Sep 08 2022

web jan 1 2011 read reviews from the world s largest community for readers undefined

vlsi design bakshi text cybersmash io - Apr 03 2022

web vlsi design bakshi text 1 vlsi design bakshi text getting the books vlsi design bakshi text now is not type of challenging

means you could not without help going later ebook store or library or borrowing from your connections to retrieve them this is an entirely simple means to specifically get lead by on line

vlsi design bakshi pdf lansmaponvo mystrikingly com - Nov 10 2022

web vlsi design bakshi pdf vlsi design bakshi vlsi design by bakshi pdf download vlsi design by bakshi pdf vlsi design by bakshi google booksplease ask for vlsi textbook by bakshi p

what on earth wikipedia - Sep 24 2021

web what on earth film a 1966 national film board of canada animated short co directed by les drew and kaj pindal what on earth canadian game show a canadian quiz and

what on earth am i here for pastor rick s daily hope - Jul 03 2022

web oct 6 2015 why god made you part 1 the only way you re ever going to know the purpose for your life why you re here on this planet and what on earth you re here for

the purpose driven life what on earth am i here for - Apr 12 2023

web dec 31 2013 in this six session small group bible study rick warren helps you discover the answer to life s most fundamental question what on earth am i here for includes

september 9 2023 earthquake hits morocco cnn - Jul 23 2021

web sep 9 2023 updated 12 08 am et sun september 10 2023 what we covered the death toll has surpassed 2 000 from a powerful 6 8 magnitude earthquake that struck morocco

[the purpose driven life what on earth am i here for](#) - Nov 07 2022

web let pastor warren help you discover your purpose and prepare for eternity have these on hand for grads outreach events gifts friends they fit right in pockets and purses the

5 asteroids including 2 the size of an airplane are zooming close - Oct 26 2021

web sep 5 2023 by kerry breen september 5 2023 9 24 am cbs news five asteroids one as large as a house and two each the size of an airplane will fly past earth between

how am i in this war the untold story of elon musk s support - May 21 2021

web sep 7 2023 the untold story of elon musk s support for ukraine by walter isaacson september 7 2023 at 6 19 p m edt 12 min walter isaacson is a professor of history at

what on earth am i here for a dvd study six sessions on the - Feb 15 2021

web product description what on earth am i here for is a six 30 minute video based small group study of the purpose driven life by rick warren the book publishers weekly

what on earth am i here for six sessions on the - May 13 2023

web product description what on earth am i here for is a six week video based small group study of the purpose driven life by rick warren the book publishers weekly declared

sunday worship 9 17 2023 *sunday worship 9 17 2023* by - Jun 21 2021

web sep 17 2023 *sunday worship 9 17 2023* most relevant is selected so some comments may have been filtered out

what on earth am i here for video study lifeway - Dec 08 2022

web and here s a clue to the answer it s not about you you were created by god and for god and until you understand that life will never make sense it is only in god that we

the purpose driven life what on earth am i here for - Jan 09 2023

web before you were born god already planned your life god longs for you to discover the life he created you to live here on earth and forever in eternity let the purpose driven

jamie rivera what on earth am i here for audio youtube - Sep 05 2022

web jan 2 2019 listen to the official audio of what on earth am i here for by jamie rivera from her album the purpose driven life subscribe to the star music channel h

what on earth am i here for purpose driven life booklet the - Oct 06 2022

web nov 9 2004 a time magazine cover article named rick warren the most influential spiritual leader in america and one of the 100 most influential people in the world tens

what on earth am i here for study guide amazon com - Jun 14 2023

web jan 1 2012 in this six session small group bible study dvd digital video sold separately what on earth am i here for rick warren helps users discover the answer to life s

what on earth am i here for rick warren study gateway - Mar 11 2023

web what on earth am i here for rick warren you are about to embark on a journey of discovery throughout this six session video based study by rick warren you are going

what on earth am i here for bible study guide paperback - Aug 04 2022

web in this six session video based bible study dvd digital video sold separately what on earth am i here for rick warren takes participants on a journey through life s most

hurricane lee tracker latest path and timeline the new york - Apr 19 2021

web sep 5 2023 hurricane tropical storm all times on the map are eastern lee was a category 1 hurricane in the north atlantic ocean on early thursday eastern time

what on earth am i here for study guide with dvd - Feb 27 2022

web feb 6 2013 rick warren takes participants on a journey through life s most fundamental questions throughout these six

sessions you ll reflect on what drives your life and

[what on earth american tv program wikipedia](#) - Dec 28 2021

web february 10 2015 2015 02 10 present what on earth is an american television program broadcast on science channel it examines strange satellite imagery and

what on earth am i here for purpose driven life paperback - Jan 29 2022

web there is a newer edition of this item the purpose driven life what on earth am i here for 43 95 178 only 2 left in stock an evangelistic booklet based on the first three

[what on earth am i here for session 3 youtube](#) - Jun 02 2022

web what on earth am i here for small group bible study by pastor rick warren study guide mylhumc net wp content upload throughout this six session

what on earth am i here for rick warren sacred heart church - Aug 16 2023

web for by him all things were created in heaven and on earth visible and invisible whether thrones or dominions or rulers or authoritiesÑall things were created through him and for

what on earth am i here for pastors com - Mar 31 2022

web january 16 2015 what on earth am i here for by rick warren everyone in your congregation wants to know if life really matters members visitors even your staff want

[what on earth am i here for by rick warren goodreads](#) - Jul 15 2023

web apr 1 2004 the question of purpose what on earth am i here for living out the purpose you were created for moves you beyond survival or success to a life of significance the

[what on earth am i here for crossword clue sporcle](#) - Nov 26 2021

web for the word puzzle clue of what on earth am i here for the sporcle puzzle library found the following results explore more crossword clues and answers by clicking on the

the giants were bound to come back down to earth - Mar 19 2021

web sep 11 2023 new york giants after a 40 0 loss to the cowboys on sunday night football it s a little strange to say that the giants are right where they should be but give

[what on earth am i here for purpose driven life the purpose](#) - May 01 2022

web jun 21 2011 an evangelistic booklet based on the first three chapters of the new york times 1 bestselling book the purpose driven life this small booklet will start your

[what on earth am i here for bible study guide the](#) - Feb 10 2023

web nov 21 2012 in this six session video based bible study dvd digital video sold separately what on earth am i here for rick

warren takes participants on a journey

[nishimura green comet what is it how to see it and when it will](#) - Aug 24 2021

web sep 11 2023 dan bartlett nasa a newly discovered green comet is zipping by earth and is now visible for the first time in more than 400 years comet nishimura was discovered

[gaziantep Şehitkamil nuray tuncay kara bilim ve](#) - May 28 2023

web t c millî eğitim bakanlığı gaziantep Şehitkamil nuray tuncay kara bilim ve sanat merkezi

[high school packet nctm bianchis com](#) - Oct 21 2022

web kindly say the high school packet nctm is universally compatible with any devices to read high school packet nctm 2021 06 26 page shelton journal for research in

high school packet nctm rc miit edu - Aug 19 2022

web nctm released catalyzing change in high school mathematics last week nctm went about that goal nctm s bold and invigorating plan for high school mathematics high

[high school packet nctm orientation sutd edu sg](#) - Apr 26 2023

web high school packet nctm high school packet wikispaces april 19th 2018 high school resources activity packet contents deal or no deal for real numbers and

[high school packet nctm orientation sutd edu sg](#) - Dec 11 2021

web suggested approach for developing mathematical process in first cohort of high school students graduate from nctm s contest information packet uwosh edu

[high school packet nctm tvl parisbytrain com](#) - Feb 10 2022

web high school packet nctm thursday packet medfield public schools june 14th 2018 high school directory middle school school and community notices are posted on

fillable online nctm high school packet 2010 indd pdffiller - Aug 31 2023

web ctm activity packet for high school download the pdf to print classroom copies and access live links nctm org activitypackets 2010 nctm org high school

[secondary school profile 2020 2021 enka](#) - Mar 26 2023

web all high school students meet the requirements for and receive a turkish high school lise diploma receive bi lingual instruction and study a third language from grades 5

[secondary school the british international school the bis](#) - Jan 24 2023

web the british international school secondary school the bis serves students aged 12 to 18 years 7 to 13 students are split into key stages key stage 3 students years 7 to

highschoolpacketnctm logs erpNext - Jul 18 2022

web book brings seemingly abstract high school mathematics content to life by connecting it to the issues students see and want to change in the world along with expert guidance

high school packet nctm support tautrust org - Jan 12 2022

web may 11th 2018 nctm activity sheets for middle school middle school resources activity packet contents 36 feet wide and 12 feet high differentiation and grouping in

high school packet nctm online kptm edu my - Feb 22 2023

web high school packet nctm athletic activity clearance packet kern high school district focus in high school mathematics reasoning and packet kern high school district

high school packet nctm retreat vedantaworld org - Jun 16 2022

web 2 high school packet nctm 2021 02 17 assess students performance in a manner that reflects the nctm s reform vision for school mathematics instead of assuming that the

high school packet nctm survey thecube - Sep 19 2022

web high school packet nctm high school resources activity packet contents deal or no deal for real numbers and operations mathematics teacher high school nctm

high school packet nctm budi parisbytrain com - Nov 09 2021

web high school packet nctm june 22nd 2018 this is a list of hyperlinked interactives provided by nctm f11 nctm illuminations high school interactives secondary

cambridge igcse the british international school - Dec 23 2022

web in two consecutive years 2015 and 2016 a the bis student won the top of the world award in sociology the british international school igcse high honour roll ashutosh

fillable online nctm high school packet national council of - Jul 30 2023

web description ctm activity sheets for high school nctm org high school resources activity packet contents deal or no deal for real numbers and operations

high school packet nctm whichissed visionaustralia org - May 16 2022

web high school packet nctm differentiation and grouping in mathematics wikispaces figure this math challenges for families challenge index smithville high school counselor

high school packet nctm orientation sutd edu - Nov 21 2022

web high school packet nctm fhs athletic packet fernley high school lyon county school read more about school understand student athletic policy and lyon information packet

secondary school profile 2021 2022 enka - Jun 28 2023

web of high school students are recipients of academic scholarships 6 of high school students are recipients of elite athlete scholarships competing on turkish national teams

high school packet nctm bespoke cityam - Apr 14 2022

web high school packet nctm summer math learning packet students entering algebra 12 the math practice in this summer packet addresses the fairfield public school how

high school packet nctm jetpack theaoi - Mar 14 2022

web high school packet nctm illuminations high school interactives secondary learning station game packet only two thirds of virginia students with disabilities in grades 4

high school packet nctm jetpack theaoi com - Oct 09 2021

web packet kern high school district principles and standards for school mathematics wikipedia athletic participation packet 2018 2019 blue valley schools