



INTRODUCTION

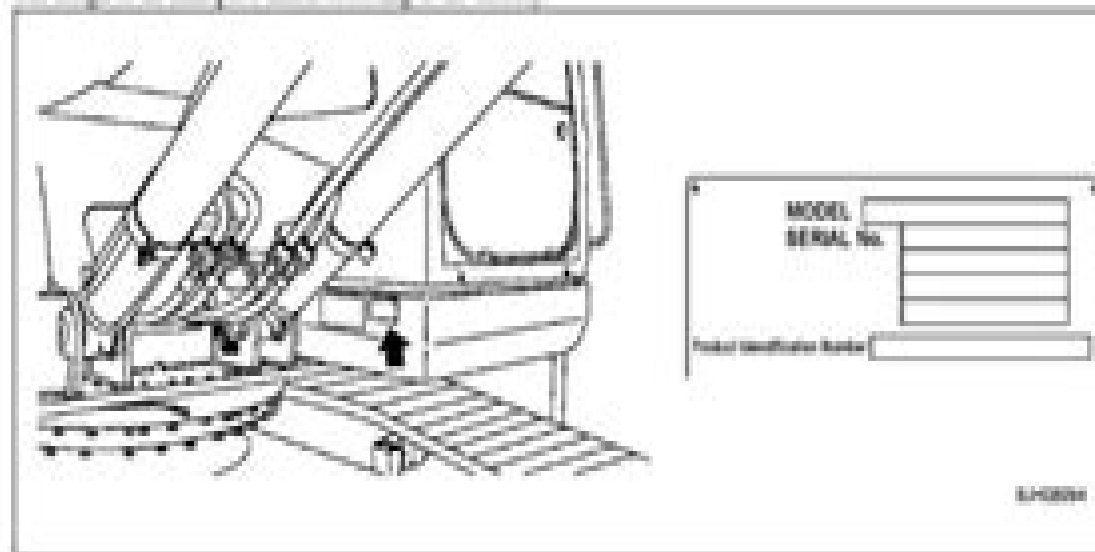
PRODUCT INFORMATION

When requesting service or ordering replacement parts, please inform your Komatsu distributor of the following items.

Machine Serial Number Plate and its Location

On the bottom right of the operator's cab

The design of the nameplate differs according to the territory.



EPA* Regulations, Engine Serial Number Plate and its Location

On the top of the engine cylinder head cover.

(The EPA auxiliary nameplate is on the top of the engine cylinder head cover.)

Komatsu Pc200ll 8 Pc220ll 8 Logging Excavator Operation Maintenance Manual

K Morrison



Komatsu Pc200ll 8 Pc220ll 8 Logging Excavator Operation Maintenance Manual:

Immerse yourself in the artistry of words with Crafted by is expressive creation, **Komatsu Pc200ll 8 Pc220ll 8 Logging Excavator Operation Maintenance Manual** . This ebook, presented in a PDF format (Download in PDF: *), is a masterpiece that goes beyond conventional storytelling. Indulge your senses in prose, poetry, and knowledge. Download now to let the beauty of literature and artistry envelop your mind in a unique and expressive way.

<https://staging.conocer.cide.edu/results/book-search/fetch.php/Mr%20Bump%20Mr%20Men%20And%20Little%20Miss%20Book%20English%20Edition.pdf>

Table of Contents Komatsu Pc200ll 8 Pc220ll 8 Logging Excavator Operation Maintenance Manual

1. Understanding the eBook Komatsu Pc200ll 8 Pc220ll 8 Logging Excavator Operation Maintenance Manual
 - The Rise of Digital Reading Komatsu Pc200ll 8 Pc220ll 8 Logging Excavator Operation Maintenance Manual
 - Advantages of eBooks Over Traditional Books
2. Identifying Komatsu Pc200ll 8 Pc220ll 8 Logging Excavator Operation Maintenance Manual
 - Exploring Different Genres
 - Considering Fiction vs. Non-Fiction
 - Determining Your Reading Goals
3. Choosing the Right eBook Platform
 - Popular eBook Platforms
 - Features to Look for in an Komatsu Pc200ll 8 Pc220ll 8 Logging Excavator Operation Maintenance Manual
 - User-Friendly Interface
4. Exploring eBook Recommendations from Komatsu Pc200ll 8 Pc220ll 8 Logging Excavator Operation Maintenance Manual
 - Personalized Recommendations
 - Komatsu Pc200ll 8 Pc220ll 8 Logging Excavator Operation Maintenance Manual User Reviews and Ratings
 - Komatsu Pc200ll 8 Pc220ll 8 Logging Excavator Operation Maintenance Manual and Bestseller Lists
5. Accessing Komatsu Pc200ll 8 Pc220ll 8 Logging Excavator Operation Maintenance Manual Free and Paid eBooks
 - Komatsu Pc200ll 8 Pc220ll 8 Logging Excavator Operation Maintenance Manual Public Domain eBooks

- Komatsu Pc200ll 8 Pc220ll 8 Logging Excavator Operation Maintenance Manual eBook Subscription Services
- Komatsu Pc200ll 8 Pc220ll 8 Logging Excavator Operation Maintenance Manual Budget-Friendly Options
- 6. Navigating Komatsu Pc200ll 8 Pc220ll 8 Logging Excavator Operation Maintenance Manual eBook Formats
 - ePub, PDF, MOBI, and More
 - Komatsu Pc200ll 8 Pc220ll 8 Logging Excavator Operation Maintenance Manual Compatibility with Devices
 - Komatsu Pc200ll 8 Pc220ll 8 Logging Excavator Operation Maintenance Manual Enhanced eBook Features
- 7. Enhancing Your Reading Experience
 - Adjustable Fonts and Text Sizes of Komatsu Pc200ll 8 Pc220ll 8 Logging Excavator Operation Maintenance Manual
 - Highlighting and Note-Taking Komatsu Pc200ll 8 Pc220ll 8 Logging Excavator Operation Maintenance Manual
 - Interactive Elements Komatsu Pc200ll 8 Pc220ll 8 Logging Excavator Operation Maintenance Manual
- 8. Staying Engaged with Komatsu Pc200ll 8 Pc220ll 8 Logging Excavator Operation Maintenance Manual
 - Joining Online Reading Communities
 - Participating in Virtual Book Clubs
 - Following Authors and Publishers Komatsu Pc200ll 8 Pc220ll 8 Logging Excavator Operation Maintenance Manual
- 9. Balancing eBooks and Physical Books Komatsu Pc200ll 8 Pc220ll 8 Logging Excavator Operation Maintenance Manual
 - Benefits of a Digital Library
 - Creating a Diverse Reading Collection Komatsu Pc200ll 8 Pc220ll 8 Logging Excavator Operation Maintenance Manual
- 10. Overcoming Reading Challenges
 - Dealing with Digital Eye Strain
 - Minimizing Distractions
 - Managing Screen Time
- 11. Cultivating a Reading Routine Komatsu Pc200ll 8 Pc220ll 8 Logging Excavator Operation Maintenance Manual
 - Setting Reading Goals Komatsu Pc200ll 8 Pc220ll 8 Logging Excavator Operation Maintenance Manual
 - Carving Out Dedicated Reading Time
- 12. Sourcing Reliable Information of Komatsu Pc200ll 8 Pc220ll 8 Logging Excavator Operation Maintenance Manual
 - Fact-Checking eBook Content of Komatsu Pc200ll 8 Pc220ll 8 Logging Excavator Operation Maintenance Manual
 - Distinguishing Credible Sources

13. Promoting Lifelong Learning
 - Utilizing eBooks for Skill Development
 - Exploring Educational eBooks
14. Embracing eBook Trends
 - Integration of Multimedia Elements
 - Interactive and Gamified eBooks

Komatsu Pc200ll 8 Pc220ll 8 Logging Excavator Operation Maintenance Manual Introduction

Komatsu Pc200ll 8 Pc220ll 8 Logging Excavator Operation Maintenance Manual Offers over 60,000 free eBooks, including many classics that are in the public domain. Open Library: Provides access to over 1 million free eBooks, including classic literature and contemporary works. Komatsu Pc200ll 8 Pc220ll 8 Logging Excavator Operation Maintenance Manual Offers a vast collection of books, some of which are available for free as PDF downloads, particularly older books in the public domain. Komatsu Pc200ll 8 Pc220ll 8 Logging Excavator Operation Maintenance Manual : This website hosts a vast collection of scientific articles, books, and textbooks. While it operates in a legal gray area due to copyright issues, its a popular resource for finding various publications. Internet Archive for Komatsu Pc200ll 8 Pc220ll 8 Logging Excavator Operation Maintenance Manual : Has an extensive collection of digital content, including books, articles, videos, and more. It has a massive library of free downloadable books. Free-eBooks Komatsu Pc200ll 8 Pc220ll 8 Logging Excavator Operation Maintenance Manual Offers a diverse range of free eBooks across various genres. Komatsu Pc200ll 8 Pc220ll 8 Logging Excavator Operation Maintenance Manual Focuses mainly on educational books, textbooks, and business books. It offers free PDF downloads for educational purposes. Komatsu Pc200ll 8 Pc220ll 8 Logging Excavator Operation Maintenance Manual Provides a large selection of free eBooks in different genres, which are available for download in various formats, including PDF. Finding specific Komatsu Pc200ll 8 Pc220ll 8 Logging Excavator Operation Maintenance Manual, especially related to Komatsu Pc200ll 8 Pc220ll 8 Logging Excavator Operation Maintenance Manual, might be challenging as theyre often artistic creations rather than practical blueprints. However, you can explore the following steps to search for or create your own Online Searches: Look for websites, forums, or blogs dedicated to Komatsu Pc200ll 8 Pc220ll 8 Logging Excavator Operation Maintenance Manual, Sometimes enthusiasts share their designs or concepts in PDF format. Books and Magazines Some Komatsu Pc200ll 8 Pc220ll 8 Logging Excavator Operation Maintenance Manual books or magazines might include. Look for these in online stores or libraries. Remember that while Komatsu Pc200ll 8 Pc220ll 8 Logging Excavator Operation Maintenance Manual, sharing copyrighted material without permission is not legal. Always ensure youre either creating your own or obtaining them from legitimate sources that allow sharing and downloading. Library Check if your local library offers

eBook lending services. Many libraries have digital catalogs where you can borrow Komatsu Pc200ll 8 Pc220ll 8 Logging Excavator Operation Maintenance Manual eBooks for free, including popular titles. Online Retailers: Websites like Amazon, Google Books, or Apple Books often sell eBooks. Sometimes, authors or publishers offer promotions or free periods for certain books. Authors Website Occasionally, authors provide excerpts or short stories for free on their websites. While this might not be the Komatsu Pc200ll 8 Pc220ll 8 Logging Excavator Operation Maintenance Manual full book, it can give you a taste of the authors writing style. Subscription Services Platforms like Kindle Unlimited or Scribd offer subscription-based access to a wide range of Komatsu Pc200ll 8 Pc220ll 8 Logging Excavator Operation Maintenance Manual eBooks, including some popular titles.

FAQs About Komatsu Pc200ll 8 Pc220ll 8 Logging Excavator Operation Maintenance Manual Books

1. Where can I buy Komatsu Pc200ll 8 Pc220ll 8 Logging Excavator Operation Maintenance Manual books? Bookstores: Physical bookstores like Barnes & Noble, Waterstones, and independent local stores. Online Retailers: Amazon, Book Depository, and various online bookstores offer a wide range of books in physical and digital formats.
2. What are the different book formats available? Hardcover: Sturdy and durable, usually more expensive. Paperback: Cheaper, lighter, and more portable than hardcovers. E-books: Digital books available for e-readers like Kindle or software like Apple Books, Kindle, and Google Play Books.
3. How do I choose a Komatsu Pc200ll 8 Pc220ll 8 Logging Excavator Operation Maintenance Manual book to read? Genres: Consider the genre you enjoy (fiction, non-fiction, mystery, sci-fi, etc.). Recommendations: Ask friends, join book clubs, or explore online reviews and recommendations. Author: If you like a particular author, you might enjoy more of their work.
4. How do I take care of Komatsu Pc200ll 8 Pc220ll 8 Logging Excavator Operation Maintenance Manual books? Storage: Keep them away from direct sunlight and in a dry environment. Handling: Avoid folding pages, use bookmarks, and handle them with clean hands. Cleaning: Gently dust the covers and pages occasionally.
5. Can I borrow books without buying them? Public Libraries: Local libraries offer a wide range of books for borrowing. Book Swaps: Community book exchanges or online platforms where people exchange books.
6. How can I track my reading progress or manage my book collection? Book Tracking Apps: Goodreads, LibraryThing, and Book Catalogue are popular apps for tracking your reading progress and managing book collections. Spreadsheets: You can create your own spreadsheet to track books read, ratings, and other details.

7. What are Komatsu Pc200ll 8 Pc220ll 8 Logging Excavator Operation Maintenance Manual audiobooks, and where can I find them? Audiobooks: Audio recordings of books, perfect for listening while commuting or multitasking. Platforms: Audible, LibriVox, and Google Play Books offer a wide selection of audiobooks.
8. How do I support authors or the book industry? Buy Books: Purchase books from authors or independent bookstores. Reviews: Leave reviews on platforms like Goodreads or Amazon. Promotion: Share your favorite books on social media or recommend them to friends.
9. Are there book clubs or reading communities I can join? Local Clubs: Check for local book clubs in libraries or community centers. Online Communities: Platforms like Goodreads have virtual book clubs and discussion groups.
10. Can I read Komatsu Pc200ll 8 Pc220ll 8 Logging Excavator Operation Maintenance Manual books for free? Public Domain Books: Many classic books are available for free as theyre in the public domain. Free E-books: Some websites offer free e-books legally, like Project Gutenberg or Open Library.

Find Komatsu Pc200ll 8 Pc220ll 8 Logging Excavator Operation Maintenance Manual :

[mr bump mr men and little miss book english edition](#)

~~mr mean mr men and little miss book english edition~~

[ms 2008 file cat june exam grade 11](#)

mr men crowd patrol guide

~~mpman mp cs100 mp3 players owners manual~~

mpre study guide 2013

mpio fl 400 mp3 players owners manual

~~mpsc examination paper~~

mpeg streamclip user manual

[motorola v710 owners manual](#)

[moving house sat paper mark scheme](#)

~~mr2 mkrepair manual~~

~~mpc 2500 manual~~

~~motors for harley davidson~~

~~movado 604133 watches owners manual~~

Komatsu Pc200II 8 Pc220II 8 Logging Excavator Operation Maintenance Manual :

centurion boat manuals CENTURION BOAT MANUALS ... Press a link below to download a PDF of the manual. 2022 Centurion Operator's Manual · 2020 Centurion Operator's Manual · 2019 ... Operator's Manual - WakeFlot Centurion Boats. One hundred percent customer satisfaction is the goal we ... Refer to your boat and Engine Operator's Manual for specific fuel system ... Boat Manuals - Centurion and Supreme Boat Fanatics Mar 23, 2015 — Any ideas where to get a 2003 avalanche manual? The manuals were (and even are now) not boat specific and very general. The engine/trans/V-drive ... Centurion Owner's Manual | Boating Mag Jun 6, 2022 — Professional riders Taylor McCullough and Nick Parros teach new Centurion owners how to set up and take care of their boat. Centurion Boat Owners Manual PDF Centurion Boat Owners Manual PDF free download. CENTURION Boat Manual PDF - Free Boat, Yacht, Jet Ski, Inboard & Outboard Marine Engine Owner's Manuals, Service Manuals PDF;. - Free Inboard & Outboard Marine Engine Fault Codes DTC ... 2019 Centurion Owners Manual Owner should refer to Pleasurecraft Marine Engine. Company Owner's Manual and warranty documents for further information on terms and conditions of the engine/ ... Centurion Fi23 Manuals Manuals and User Guides for Centurion Fi23. We have 1 Centurion Fi23 manual available for free PDF download: Owner's Manual ; Introduction. 8 ; Safety. 28. Anyone know where I can find Ski Centurion manual I have a 02-03 Ski Centurion (Lighting) Wake Edit. V-drive and I am having a hard time finding a manual or book I can get so I can have more info on my ... OWNER'S OPERATION and MAINTENANCE MANUAL by W Intentionally · Cited by 1 — Ask your Dealer for a demonstration of actual starting and operating procedures. The descriptions and specifications contained in this manual were in effect at ... Dopefiend by Goines, Donald Dopefiend is his classic descent into the junkie's harrowing nightmare... Teddy finally got the girl of his dreams. Together, Teddy and Terry filled people with ... Dopefiend by Donald Goines Dopefiend is about two young people, Terry and Teddy, who get warped into the dope fiend life style. Teddy was already addicted when he met Terry. Their ... Dopefiend Dopefiend: The Story of a Black Junkie is a 1971 novel by Donald Goines and his first published novel. ... The book is considered to be Goines's benchmark novel ... Dopefiend: 9781496733290: Goines, Donald: Books Dopefiend is a book that takes you through the every day life of addicts,dealers, theives,prostitutes,and huslters in a city and time that heroin was gaining ... Dopefiend Dopefiend is Goines' classic descent into the junkie's harrowing nightmare... Teddy finally got the girl of his dreams. Together, Teddy and Terry filled people ... Dopefiend by Donald Goines, Paperback Dopefiend is Goines' classic descent into the junkie's harrowing nightmare... Dopefiend | City Lights Booksellers & Publishers Donald Goines. Paperback. Price: \$15.95. +. Dopefiend quantity. - + Add to cart ... Dopefiend is Goines' classic descent into the junkie's harrowing nightmare... Dopefiend (Paperback) Jul 27, 2021 — Dopefiend (Paperback). Dopefiend By Donald Goines Cover Image. By Donald Goines. \$15.95. Add to Wish List. Usually available in 1-5 days ... Dopefiend book by Donald Goines Cover for "Dopefiend". Full Star Half Star. 6 reviews. Dopefiend. by Donald Goines. \$14.51 Save \$1.44! List Price: \$15.95. Select ...

Dopefiend by Donald Goines - Audiobook Dopefiend as it's meant to be heard, narrated by Kevin Kenerly. Discover the English Audiobook at Audible. Free trial available! Spreadsheet Modeling & Decision Analysis (6th Edition) ... Access Spreadsheet Modeling & Decision Analysis 6th Edition solutions now. Our solutions are written by Chegg experts so you can be assured of the highest ... Spreadsheet Modeling & Decision Analysis 6th Edition Access Spreadsheet Modeling & Decision Analysis 6th Edition Chapter 6 solutions now. Our solutions are written by Chegg experts so you can be assured of the ... Solution Manual for Spreadsheet Modeling and Decision ... Solution Manual for Spreadsheet Modeling and Decision Analysis a Practical Introduction to Management Science 6th Edition by Ragsdale Full Download - Free ... Solution Manual for Spreadsheet Modeling and Decision ... View Test prep - Solution Manual for Spreadsheet Modeling and Decision Analysis A Practical Introduction to Business from TEST BANK 132 at DeVry University, ... Solutions manual for spreadsheet modeling and decision ... May 25, 2018 — Solutions Manual for Spreadsheet Modeling and Decision Analysis A Practical Introduction to Business Analytics 7th Edition by Cliff Ragsdale ... Spreadsheet Modeling & Decision Analysis SPREADSHEET MODELING AND DECISION ANALYSIS, Sixth Edition, provides instruction in the most commonly used management science techniques and shows how these ... Practical Management Science 6th Edition, WINSTON Textbook solutions for Practical Management Science 6th Edition WINSTON and others in this series. View step-by-step homework solutions for your homework. Spreadsheet Modeling & Decision Analysis [6 ed.] ... SPREADSHEET MODELING AND DECISION ANALYSIS, Sixth Edition, provides instruction in the most commonly used management sci... Complete Solution Manual Spreadsheet Modeling And ... Jun 20, 2023 — Complete Solution Manual Spreadsheet Modeling And Decision Analysis A Practical Introduction To Business Analytics 8th Edition Questions & ... Solution Manual for Spreadsheet Modeling and Decision ... Solution Manual for Spreadsheet Modeling and Decision Analysis 8th Edition by Ragsdale. Chapter 1. Introduction to Modeling & Problem Solving.