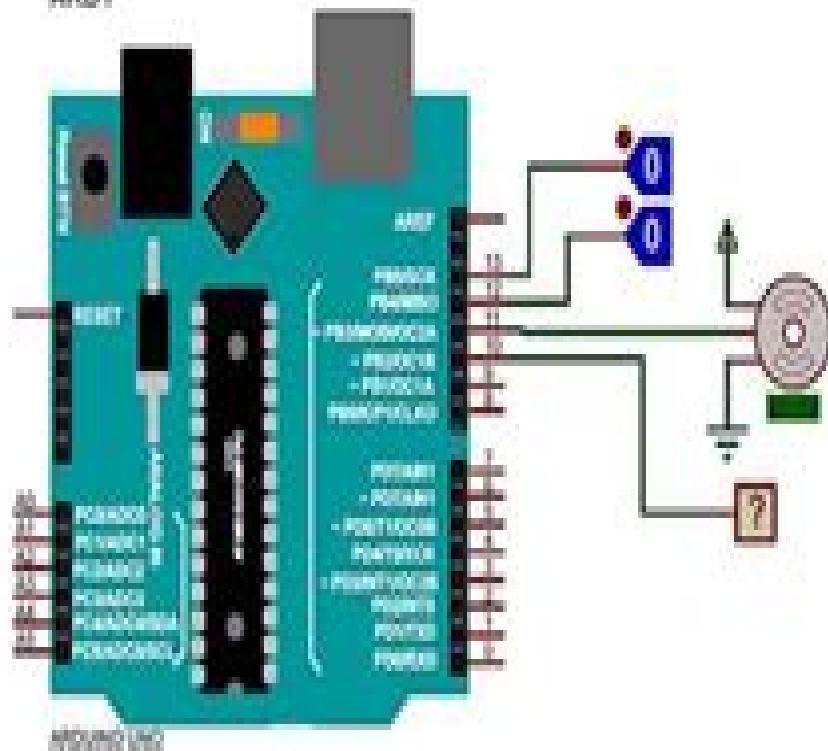


ARD1



A Mini Project Paper on

# Railway Gate Control System

Automatic Railway Gate Control System  
At Track Crossing by using Arduino Uno and IR sensors

EXTRUDESIGN.COM

FINAL YEAR PROJECTS

# Microcontroller Based Automatic Railway Gate Controller

**Shasha Hu**



## **Microcontroller Based Automatic Railway Gate Controller:**

*Advancements in Instrumentation and Control in Applied System Applications* Bhattacharya, Srijan, 2020-03-27 As technology continues to advance in today's global market practitioners are targeting systems with significant levels of applicability and variance Instrumentation is a multidisciplinary subject that provides a wide range of usage in several professional fields specifically engineering Instrumentation plays a key role in numerous daily processes and has seen substantial advancement in recent years It is of utmost importance for engineering professionals to understand the modern developments of instruments and how they affect everyday life *Advancements in Instrumentation and Control in Applied System Applications* is a collection of innovative research on the methods and implementations of instrumentation in real world practices including communication transportation and biomedical systems While highlighting topics including smart sensor design medical image processing and atrial fibrillation this book is ideally designed for researchers software engineers technologists developers scientists designers IT professionals academicians and post graduate students seeking current research on recent developments within instrumentation systems and their applicability in daily life **Proceedings of Fifth International Conference on Computing, Communications, and Cyber-Security** Sudeep Tanwar, Pradeep Kumar Singh, Maria Ganzha, Gregory Epiphaniou, 2024-07-30 This book features selected research papers presented at the Fifth International Conference on Computing Communications and Cyber Security IC4S 05 organized in India during 29 February to 1 March 2024 The conference was hosted at SMVDU Katra J K India It includes innovative work from researchers leading innovators and professionals in the areas of communication and network technologies advanced computing technologies data analytics and intelligent learning the latest electrical and electronics trends and security and privacy issues The work is presented in two volumes **Inventive Communication and Computational Technologies** G. Ranganathan, Joy Chen, Álvaro Rocha, 2020-09-24 This book gathers selected papers presented at the 4th International Conference on Inventive Communication and Computational Technologies ICICCT 2020 held on 28 29 May 2020 at Gnanamani College of Technology Tamil Nadu India The respective contributions highlight recent research efforts and advances in a new paradigm called ISMAC IoT in Social Mobile Analytics and Cloud contexts The topics covered include the Internet of Things Social Networks Mobile Communications Big Data Analytics Bio inspired Computing and Cloud Computing Given its scope the book is chiefly intended for academics and practitioners working to resolve practical issues in this area **Soft Computing and Signal Processing** V. Sivakumar Reddy, V. Kamakshi Prasad, Jiacun Wang, K. T. V. Reddy, 2023-06-26 This book presents selected research papers on current developments in the fields of soft computing and signal processing from the Fifth International Conference on Soft Computing and Signal Processing ICSCSP 2022 The book covers topics such as soft sets rough sets fuzzy logic neural networks genetic algorithms and machine learning and discusses various aspects of these topics e.g. technological considerations product implementation and application issues **ICCCE**

**2018** Amit Kumar, Stefan Mozar, 2018-08-31 This book comprises selected articles from the International Communications Conference ICC 2018 held in Hyderabad India in 2018 It offers in depth information on the latest developments in voice data image and multimedia processing research and applications and includes contributions from both academia and industry

**Security Issues in Communication Devices, Networks and Computing Models** Budati Anil Kumar, Akella Ramakrishna, Goutham Makkena, Gheorghita Ghinea, 2025-05-08 The importance of addressing security issues in communication devices networks and computing models in Industry 5.0 cannot be overstated Industry 5.0 represents the next phase in the evolution of manufacturing and industrial processes characterized by increased connectivity automation and the integration of smart technologies Here are several reasons why security is crucial in this context Industry 5.0 involves the convergence of information technology IT and operational technology OT making industrial control systems susceptible to cyber threats A breach in security could compromise critical infrastructure such as power grids transportation systems and water treatment plants Securing computing models and networks is vital for protecting critical infrastructure and ensuring the safety and stability of essential services Industry 5.0 encourages the use of advanced technologies such as the Industrial Internet of Things IIoT and edge computing leading to increased data exchange and collaboration Security issues could result in the theft or manipulation of intellectual property proprietary designs and sensitive business information Robust security measures are necessary to safeguard intellectual property maintain a competitive edge and foster innovation within Industry 5.0 ecosystems Communication devices and networks in Industry 5.0 transmit vast amounts of sensitive data including production data supply chain information and operational metrics Ensuring the integrity and confidentiality of this data is crucial for informed decision making and maintaining a competitive advantage Security breaches could lead to data manipulation unauthorized access and exposure of sensitive information jeopardizing the trust of stakeholders and partners Industry 5.0 involves interconnected supply chains where multiple entities collaborate and share data Weaknesses in communication devices and networks can be exploited to compromise the integrity of the entire supply chain impacting product quality and safety Securing communication channels and computing models is vital for maintaining the trustworthiness of the supply chain ensuring product quality and minimizing the risk of counterfeit components In summary addressing security issues in communication devices networks and computing models is fundamental to the successful implementation of Industry 5.0 It not only protects the assets and operations of organizations but also contributes to the overall safety reliability and sustainability of advanced industrial systems

**Machine Intelligence and Emerging Technologies** Md. Shahriar Satu, Mohammad Ali Moni, M. Shamim Kaiser, Mohammad Shamsul Arefin, 2023-06-10 The two volume set LNICST 490 and 491 constitutes the proceedings of the First International Conference on Machine Intelligence and Emerging Technologies MIET 2022 hosted by Noakhali Science and Technology University Noakhali Bangladesh during September 23-25 2022 The 104 papers presented in the proceedings were carefully reviewed and selected from 272

submissions This book focuses on theoretical practical state of art applications and research challenges in the field of artificial intelligence and emerging technologies It will be helpful for active researchers and practitioners in this field These papers are organized in the following topical sections imaging for disease detection pattern recognition and natural language processing bio signals and recommendation systems for wellbeing network security and nanotechnology and emerging technologies for society and industry

**Automatic Railway Gate Control Using Arduino Microcontroller** ,2012 Big Data Management and the Internet of Things for Improved Health Systems Mishra, Brojo Kishore,Kumar, Raghvendra,2018-01-19 Because of the increased access to high speed Internet and smart phones many patients have started to use mobile applications to manage various health needs These devices and mobile apps are now increasingly used and integrated with telemedicine and telehealth via the medical Internet of Things IoT Big Data Management and the Internet of Things for Improved Health Systems is a critical scholarly resource that examines the digital transformation of healthcare Featuring coverage on a broad range of topics such as brain computer interface data reduction techniques and risk factors this book is geared towards academicians practitioners researchers and students seeking research on health and well being data

*Applied Approach to Privacy and Security for the Internet of Things* Chatterjee, Parag,Benoist, Emmanuel,Nath, Asoke,2020-06-26 From transportation to healthcare IoT has been heavily implemented into practically every professional industry making these systems highly susceptible to security breaches Because IoT connects not just devices but also people and other entities every component of an IoT system remains vulnerable to attacks from hackers and other unauthorized units This clearly portrays the importance of security and privacy in IoT which should be strong enough to keep the entire platform and stakeholders secure and smooth enough to not disrupt the lucid flow of communication among IoT entities

*Applied Approach to Privacy and Security for the Internet of Things* is a collection of innovative research on the methods and applied aspects of security in IoT based systems by discussing core concepts and studying real life scenarios While highlighting topics including malware propagation smart home vulnerabilities and bio sensor safety this book is ideally designed for security analysts software security engineers researchers computer engineers data scientists security professionals practitioners academicians and students seeking current research on the various aspects of privacy and security within IoT

**Proceedings of Third International Conference on Communication, Computing and Electronics Systems** V. Bindhu,João Manuel R. S. Tavares,Ke-Lin Du,2022-03-19 This book includes high quality research papers presented at the International Conference on Communication Computing and Electronics Systems 2021 held at the PPG Institute of Technology Coimbatore India on 28 29 October 2021 The volume focuses mainly on the research trends in cloud computing mobile computing artificial intelligence and advanced electronics systems The topics covered are automation VLSI embedded systems optical communication RF communication microwave engineering artificial intelligence deep learning pattern recognition communication networks Internet of Things cyber physical systems and healthcare

informatics

**Soft Computing: Theories and Applications** Millie Pant, Tarun Kumar Sharma, Rajeev Arya, B.C.

Sahana, Hossein Zolfagharinia, 2020-06-29 This book focuses on soft computing and how it can be applied to solve real world problems arising in various domains ranging from medicine and healthcare to supply chain management image processing and cryptanalysis It gathers high quality papers presented at the International Conference on Soft Computing Theories and Applications SoCTA 2019 organized by the National Institute of Technology Patna India Offering valuable insights into soft computing for teachers and researchers alike the book will inspire further research in this dynamic field *Proceedings of the Second Congress on Control, Robotics, and Mechatronics*

Pradeep Kumar Jha, Prashant Jamwal, Brajesh Tripathi, Deepak Garg, Harish Sharma, 2024-10-31 This book features high quality research papers presented at the International Conference of Mechanical and Robotic Engineering Congress on Control Robotics and Mechatronics CRM 2024 jointly organized by SR University Warangal India and Soft Computing Research Society India during 3-4 February 2024 This book discusses the topics such as combustion and fuels controls and dynamics fluid mechanics I C engines and automobile engineering machine design mechatronics rotor dynamics solid mechanics thermodynamics and combustion engineering composite material aerodynamics aerial vehicles missiles and robots automatic design and manufacturing artificial intelligence unmanned aerial vehicles autonomous robotic vehicles evolutionary robotics humanoids hardware architecture industrial robotics intelligent control systems microsensors and actuators multi robots systems neural decoding algorithms neural networks for mobile robots space robotics control theory and applications model predictive control variable structure control and decentralized control *Proceedings of the International Conference on Railway and Transportation (ICORT 2022)* Willy Artha

Wirawan, Moch. Agus Choiron, Dian M. Setiawan, 2023-03-31 This is an open access book Politeknik Perkeretaapian Indonesia Madiun Indonesia presents ICORT 2022 Innovative for Smart Sustainable and Safe Transportation Systems as its main focus In response to several world challenges such as sustainable development transportation issues global convergence of information and communications technologies along with smart systems as opportunities as well as challenges in developments for better industries it is considered important to discover innovative approaches from science and engineering perspectives Innovation suggests the introduction of novelty to create better solutions Innovation in engineering and science requires contributions from multidisciplinary sectors academics researchers practitioners and involving industries All accepted papers from ICORT 2022 will be submitted in Proceeding or Jurnal Perkeretaapian Indonesia Indonesian Railway Journal SINTA indexed grade 4 or Journal of Railway Transportation and Technology Indexed Google Scholar DOI Dimensions ROAD Thus ICORT 2022 invites academics or lecturers researchers practitioners and involving industries in Science and Engineering fields to contribute their papers and works to be presented at our forthcoming conference **Innovations and**

**Interdisciplinary Solutions for Underserved Areas** Cheikh M.F. Kebe, Assane Gueye, Ababacar Ndiaye, Aminata

Garba, 2018-08-29 This book constitutes the refereed post conference proceedings of the Second International Conference on

Innovations and Interdisciplinary Solutions for Underserved Areas InterSol 2018 and the 7th Colloque National sur la Recherche en Informatique et ses Applications CNRIA 2018 held in Kigali Rwanda in March 2018 The 23 papers presented were selected from 56 submissions and issue the following themes papers dealing with the evolution of performances of solar systems in Africa papers addressing the issues is public health telecom papers studying the business model of telecommunication math models presenting the climatic phenomenon and finally health papers dealing with medical devices that are suitable to underserved areas The proceedings also contain 7 papers from the co located 7th CNRIA Colloque National sur la Recherche en Informatique et ses Applications focusing on network architecture and security software engineering data management and signal processing

*Computational Advancement in Communication Circuits and Systems* Koushik Maharatna, Maitreyi Ray Kanjilal, Sukumar Chandra Konar, Sumit Nandi, Kunal Das, 2019-07-25 This book gathers the proceedings of the International Conference on Computational Advancement in Communication Circuits and Systems ICCACCS 2018 which was organized by Narula Institute of Technology under the patronage of the JIS group affiliated with West Bengal University of Technology The book presents peer reviewed papers that highlight new theoretical and experimental findings in the fields of electronics and communication engineering including interdisciplinary areas like Advanced Computing Pattern Recognition and Analysis and Signal and Image Processing The respective papers cover a broad range of principles techniques and applications in microwave devices communication and networking signal and image processing computations and mathematics and control The proceedings reflect the conference's strong emphasis on methodological approaches and focus on applications within the domain of Computational Advancement in Communication Circuits and Systems They also address emerging technologies in electronics and communication together with the latest practices issues and trends

**Lighting Control** Robert S. Simpson, 2003 This is a comprehensive volume on all aspects of lighting control systems Basic introductory chapters are included for those with little or no knowledge of the basics of electricity and light or electronic components

**Science Abstracts**, 1993 **Electrical & Electronics Abstracts**, 1988

**Automatic Unmanned Railway Gate Control Using Solar and Object Sensor** Kalaivani M, 2019 This paper discusses about solar based automatic unmanned railway gate using object sensor was used to avoid accident both on the gate and on the track It consists of two IR sensors and by using those sensors the accident was avoided in the gate If the vehicle got struck on the railway track during the closing of railway gate the ultrasonic wave travel and touches the body of the object and reflected back The reflected waves are received by the receiver on the train the distance was measured and displayed on the digital display to the train driver By using above formula the distance of the object from train was calculated and by using that accident was avoided Ultrasonic waves it travel very fast in air medium which is 0.0004 rays

## Reviewing **Microcontroller Based Automatic Railway Gate Controller**: Unlocking the Spellbinding Force of Linguistics

In a fast-paced world fueled by information and interconnectivity, the spellbinding force of linguistics has acquired newfound prominence. Its capacity to evoke emotions, stimulate contemplation, and stimulate metamorphosis is really astonishing. Within the pages of "**Microcontroller Based Automatic Railway Gate Controller**," an enthralling opus penned by a very acclaimed wordsmith, readers embark on an immersive expedition to unravel the intricate significance of language and its indelible imprint on our lives. Throughout this assessment, we shall delve into the book's central motifs, appraise its distinctive narrative style, and gauge its overarching influence on the minds of its readers.

<https://staging.conocer.cide.edu/results/Resources/HomePages/forget%20lyotard.pdf>

### **Table of Contents Microcontroller Based Automatic Railway Gate Controller**

1. Understanding the eBook Microcontroller Based Automatic Railway Gate Controller
  - The Rise of Digital Reading Microcontroller Based Automatic Railway Gate Controller
  - Advantages of eBooks Over Traditional Books
2. Identifying Microcontroller Based Automatic Railway Gate Controller
  - Exploring Different Genres
  - Considering Fiction vs. Non-Fiction
  - Determining Your Reading Goals
3. Choosing the Right eBook Platform
  - Popular eBook Platforms
  - Features to Look for in a Microcontroller Based Automatic Railway Gate Controller
  - User-Friendly Interface
4. Exploring eBook Recommendations from Microcontroller Based Automatic Railway Gate Controller
  - Personalized Recommendations
  - Microcontroller Based Automatic Railway Gate Controller User Reviews and Ratings
  - Microcontroller Based Automatic Railway Gate Controller and Bestseller Lists



5. Accessing Microcontroller Based Automatic Railway Gate Controller Free and Paid eBooks
  - Microcontroller Based Automatic Railway Gate Controller Public Domain eBooks
  - Microcontroller Based Automatic Railway Gate Controller eBook Subscription Services
  - Microcontroller Based Automatic Railway Gate Controller Budget-Friendly Options
6. Navigating Microcontroller Based Automatic Railway Gate Controller eBook Formats
  - ePub, PDF, MOBI, and More
  - Microcontroller Based Automatic Railway Gate Controller Compatibility with Devices
  - Microcontroller Based Automatic Railway Gate Controller Enhanced eBook Features
7. Enhancing Your Reading Experience
  - Adjustable Fonts and Text Sizes of Microcontroller Based Automatic Railway Gate Controller
  - Highlighting and Note-Taking Microcontroller Based Automatic Railway Gate Controller
  - Interactive Elements Microcontroller Based Automatic Railway Gate Controller
8. Staying Engaged with Microcontroller Based Automatic Railway Gate Controller
  - Joining Online Reading Communities
  - Participating in Virtual Book Clubs
  - Following Authors and Publishers Microcontroller Based Automatic Railway Gate Controller
9. Balancing eBooks and Physical Books Microcontroller Based Automatic Railway Gate Controller
  - Benefits of a Digital Library
  - Creating a Diverse Reading Collection Microcontroller Based Automatic Railway Gate Controller
10. Overcoming Reading Challenges
  - Dealing with Digital Eye Strain
  - Minimizing Distractions
  - Managing Screen Time
11. Cultivating a Reading Routine Microcontroller Based Automatic Railway Gate Controller
  - Setting Reading Goals Microcontroller Based Automatic Railway Gate Controller
  - Carving Out Dedicated Reading Time
12. Sourcing Reliable Information of Microcontroller Based Automatic Railway Gate Controller
  - Fact-Checking eBook Content of Microcontroller Based Automatic Railway Gate Controller
  - Distinguishing Credible Sources
13. Promoting Lifelong Learning

- Utilizing eBooks for Skill Development
  - Exploring Educational eBooks
14. Embracing eBook Trends
- Integration of Multimedia Elements
  - Interactive and Gamified eBooks

### **Microcontroller Based Automatic Railway Gate Controller Introduction**

In today's digital age, the availability of Microcontroller Based Automatic Railway Gate Controller books and manuals for download has revolutionized the way we access information. Gone are the days of physically flipping through pages and carrying heavy textbooks or manuals. With just a few clicks, we can now access a wealth of knowledge from the comfort of our own homes or on the go. This article will explore the advantages of Microcontroller Based Automatic Railway Gate Controller books and manuals for download, along with some popular platforms that offer these resources. One of the significant advantages of Microcontroller Based Automatic Railway Gate Controller books and manuals for download is the cost-saving aspect. Traditional books and manuals can be costly, especially if you need to purchase several of them for educational or professional purposes. By accessing Microcontroller Based Automatic Railway Gate Controller versions, you eliminate the need to spend money on physical copies. This not only saves you money but also reduces the environmental impact associated with book production and transportation. Furthermore, Microcontroller Based Automatic Railway Gate Controller books and manuals for download are incredibly convenient. With just a computer or smartphone and an internet connection, you can access a vast library of resources on any subject imaginable. Whether you're a student looking for textbooks, a professional seeking industry-specific manuals, or someone interested in self-improvement, these digital resources provide an efficient and accessible means of acquiring knowledge. Moreover, PDF books and manuals offer a range of benefits compared to other digital formats. PDF files are designed to retain their formatting regardless of the device used to open them. This ensures that the content appears exactly as intended by the author, with no loss of formatting or missing graphics. Additionally, PDF files can be easily annotated, bookmarked, and searched for specific terms, making them highly practical for studying or referencing. When it comes to accessing Microcontroller Based Automatic Railway Gate Controller books and manuals, several platforms offer an extensive collection of resources. One such platform is Project Gutenberg, a nonprofit organization that provides over 60,000 free eBooks. These books are primarily in the public domain, meaning they can be freely distributed and downloaded. Project Gutenberg offers a wide range of classic literature, making it an excellent resource for literature enthusiasts. Another popular platform for Microcontroller Based Automatic Railway Gate Controller books and manuals is Open Library. Open Library is an initiative of the Internet Archive, a non-profit organization dedicated

to digitizing cultural artifacts and making them accessible to the public. Open Library hosts millions of books, including both public domain works and contemporary titles. It also allows users to borrow digital copies of certain books for a limited period, similar to a library lending system. Additionally, many universities and educational institutions have their own digital libraries that provide free access to PDF books and manuals. These libraries often offer academic texts, research papers, and technical manuals, making them invaluable resources for students and researchers. Some notable examples include MIT OpenCourseWare, which offers free access to course materials from the Massachusetts Institute of Technology, and the Digital Public Library of America, which provides a vast collection of digitized books and historical documents. In conclusion, Microcontroller Based Automatic Railway Gate Controller books and manuals for download have transformed the way we access information. They provide a cost-effective and convenient means of acquiring knowledge, offering the ability to access a vast library of resources at our fingertips. With platforms like Project Gutenberg, Open Library, and various digital libraries offered by educational institutions, we have access to an ever-expanding collection of books and manuals. Whether for educational, professional, or personal purposes, these digital resources serve as valuable tools for continuous learning and self-improvement. So why not take advantage of the vast world of Microcontroller Based Automatic Railway Gate Controller books and manuals for download and embark on your journey of knowledge?

### **FAQs About Microcontroller Based Automatic Railway Gate Controller Books**

**What is a Microcontroller Based Automatic Railway Gate Controller PDF?** A PDF (Portable Document Format) is a file format developed by Adobe that preserves the layout and formatting of a document, regardless of the software, hardware, or operating system used to view or print it. **How do I create a Microcontroller Based Automatic Railway Gate Controller PDF?** There are several ways to create a PDF: Use software like Adobe Acrobat, Microsoft Word, or Google Docs, which often have built-in PDF creation tools. Print to PDF: Many applications and operating systems have a "Print to PDF" option that allows you to save a document as a PDF file instead of printing it on paper. Online converters: There are various online tools that can convert different file types to PDF. **How do I edit a Microcontroller Based Automatic Railway Gate Controller PDF?** Editing a PDF can be done with software like Adobe Acrobat, which allows direct editing of text, images, and other elements within the PDF. Some free tools, like PDFescape or Smallpdf, also offer basic editing capabilities. **How do I convert a Microcontroller Based Automatic Railway Gate Controller PDF to another file format?** There are multiple ways to convert a PDF to another format: Use online converters like Smallpdf, Zamzar, or Adobe Acrobats export feature to convert PDFs to formats like Word, Excel, JPEG, etc. Software like Adobe Acrobat, Microsoft Word, or other PDF editors may have options to export or save PDFs in different formats. **How do I password-protect a Microcontroller Based**

**Automatic Railway Gate Controller PDF?** Most PDF editing software allows you to add password protection. In Adobe Acrobat, for instance, you can go to "File" -> "Properties" -> "Security" to set a password to restrict access or editing capabilities. Are there any free alternatives to Adobe Acrobat for working with PDFs? Yes, there are many free alternatives for working with PDFs, such as: LibreOffice: Offers PDF editing features. PDFsam: Allows splitting, merging, and editing PDFs. Foxit Reader: Provides basic PDF viewing and editing capabilities. How do I compress a PDF file? You can use online tools like Smallpdf, ILovePDF, or desktop software like Adobe Acrobat to compress PDF files without significant quality loss. Compression reduces the file size, making it easier to share and download. Can I fill out forms in a PDF file? Yes, most PDF viewers/editors like Adobe Acrobat, Preview (on Mac), or various online tools allow you to fill out forms in PDF files by selecting text fields and entering information. Are there any restrictions when working with PDFs? Some PDFs might have restrictions set by their creator, such as password protection, editing restrictions, or print restrictions. Breaking these restrictions might require specific software or tools, which may or may not be legal depending on the circumstances and local laws.

**Find Microcontroller Based Automatic Railway Gate Controller :**

**forget lyotard**

*for the major and selected short stories*

**forgive us our happiness**

*forge out of chaos*

for them that trespass

*for their sake recognizing responding to and reporting child abuse*

**for revenge. or pleasure**

**forging modern jewish identities public faces and private struggles**

**forever texas texas the way those who lived it wrote it**

**for my darling**

forging ahead in life

**forever always**

*for my son from mother with love*

**forced movements tropisms and animal conduct.**

for the record the making and meaning of feminist knowledge

**Microcontroller Based Automatic Railway Gate Controller :**

*bacteria and viruses guided and study workbook pdf* - Dec 09 2022

web may 29 2023 genetics of bacteria and their viruses and it provides students with a comprehensive introduction to this rapidly changing subject the book is written for upper

*bacteriaandvirusesguidedandstudyworkbook 2023* - May 02 2022

web aug 3 2023 bacteria and viruses guided and study workbook 1 10 downloaded from uniport edu ng on august 3 2023 by guest bacteria and viruses guided and study

**bacteria and viruses guided study workbook ahedata utah edu** - Aug 05 2022

web member to purchase and make bargains to download and install bacteria and viruses guided and study workbook suitably simple understanding bacteria s srivastava

*bacteria and viruses guided and study workbook uniport edu* - Apr 01 2022

web these free worksheets examine the bacteria and viruses that can cause many diseases however some of them are good learn the anatomy of bacteria and viruses with easy

*module handbook virology* - Feb 11 2023

web aug 7 2023 bacteria and viruses guided and study workbook 1 10 downloaded from uniport edu ng on august 7 2023 by guest bacteria and viruses guided and study

bacteria and viruses guided and study workbook db csda - Oct 19 2023

web bacteria and viruses guided and study workbook 3 3 medically important bacteria classification of viruses clinical virology drugs and vaccines genetics of bacterial

bacteria and viruses guided study workbook book wiki lwn - Mar 12 2023

web able to explain current cases case studies on covid 19 replication pathogenesis and strategies therapy clo 14 able to explain recent cases case studies on covid 19

bacteria and viruses guided and study workbook pdf - Aug 17 2023

web apr 14 2023 to some harmful virus inside their computer bacteria and viruses guided and study workbook is genial in our digital library an online entry to it is set as public

**bacteriaandvirusesguidedandstudyworkbook full pdf cie** - Dec 29 2021

web apr 18 2023 their favorite books afterward this bacteria and viruses guided and study workbook but stop up in harmful downloads rather than enjoying a good pdf

**bacteria and viruses guided and study workbook pdf** - Jun 03 2022

web bacteria and viruses free pdf download learn bright when a virus infects an organism it causes that organism to become

sick viruses can pass from one organism to another

**bacteria and viruses guided and study workbook uniport edu** - Nov 27 2021

**bacteria and viruses guided and study workbook pdf cie** - Sep 18 2023

web bacteria and viruses guided and study workbook study guide for understanding pathophysiology e book sue e huether 2011 12 06 designed to be used in tandem

bacteria and virus worksheets easy teacher worksheets - Feb 28 2022

web jan 2 2021 the capsid has all amino acids found in other plant proteins each capsomere contains about 168 amino acid molecules bsc 2nd year microbiology viruses notes

**bacteria and viruses guided and study workbook steve mould** - Jul 04 2022

web 2 bacteria and viruses guided and study workbook 2020 04 28 transmitted during air and maritime travel covers the major infectious disease outbreaks framed in their

**bsc microbiology viruses notes study material guruji study** - Jan 30 2022

web studies that link pathology to real world clinical applications and absorbing tales from the history of medicine this engaging book focuses on the patient as it guides you through

**introduction classifying prokaryotes denton isd** - Jun 15 2023

web 1 what are prokaryotes they are single celled organisms that lack a nucleus 2 is the following sentence true or false prokaryotes are much smaller than most eukaryotic

**bacteria and viruses free pdf download learn bright** - May 14 2023

web study with quizlet and memorize flashcards containing terms like prokaryote bacteria bacilli and more

*bacteria and viruses guided and study workbook pdf uniport edu* - Jul 16 2023

web jul 13 2023 eukaryotes viruses viroids and prions principles of disease and epidemiology microbial mechanisms of pathogenicity innate immunity adaptive

**bacteria and viruses guided and study workbook pdf** - Nov 08 2022

web study guide to accompany pelczar chan and krieg microbiology science explorer from bacteria to plants spanish guided reading and study workbook 2005 guide to

**bacteria and viruses guided and study workbook pdf uniport edu** - Jan 10 2023

web jun 15 2023 enveloped viruses rna non enveloped viruses slow viruses and prions and tumor viruses study drugs and vaccines notes pdf chapter 5 class notes with

**chapter 19 bacteria and viruses study guide flashcards quizlet** - Apr 13 2023

web bacteria and viruses guided study workbook discover bacteria viruses parasites 2020 an introduction to good and bad bacteria the diseases they can cause the

[a textbook of viruses bacteria and thalloid organisms](#) - Sep 06 2022

web mar 10 2023 the oryx guide to natural history virusan illustrated guide to 101 incredible microbes viruses bacteria and fungi in the built environment designing healthy

*bacteriaandvirusesguidedandstudyworkbook* - Oct 07 2022

web mar 11 2020 this book consists of eight sections starting from viroids to prokaryotes eukaryotes general characteristics and structural details and classification of viruses

**results for american anthem history textbook tpt** - Oct 11 2022

web browse american anthem history textbook resources on teachers pay teachers a marketplace trusted by millions of teachers for original educational resources

**amazon com american anthem textbook** - Aug 21 2023

web hardcover audio cd currently unavailable american anthem modern american history california edition hrw modern american history by rinehart and winston holt jan 1 2007 19 hardcover 5599 list 109 95 3 99 delivery dec 4 5 only 1 left in stock order soon more buying choices 9 42 13 used new offers

[american anthem modern american history 1st edition quizlet](#) - Jan 14 2023

web find step by step solutions and answers to american anthem modern american history 9790030432971 as well as thousands of textbooks so you can move forward with confidence

*texas republican controlled school board votes against climate textbooks* - Mar 04 2022

web nov 17 2023 texas s republican controlled education board voted friday against including several climate textbooks in the state science curriculum the 15 member board rejected seven out of 12 for eighth

**american anthem textbook baker ushistory google sites** - Oct 23 2023

web aug 21 2019 american anthem textbook each file below corresponds to the chapter in the book Ć Ć ch01 pdf 14383k byron baker aug 21 2019 1 32 pm v 1 d Ć ch02 pdf 16601k byron baker aug 21 2019

*holt american anthem free download borrow and streaming* - Mar 16 2023

web student text xxxi h41 tt24 1112 r146 pages 29 cm grades 9 12 includes index beginnings of america beginnings 1763 forming a new nation 1763 1815 developing a national identity 1815 1860 union in crisis 1850 1877 industrial nation 1860 1920 becoming a world power 1898 1920 modern nation 1919 1940

**seventh grade book title isbn quarter great hearts anthem** - May 06 2022

web the following two books are sold as a bundle through anthem prep s payment portal using the link shown history from

discovery to civil war workbook available only through anthem prep link to order 1 narrative of an american slave 978 0143107309 2 hl my antonia 978 0395755143 3 hl the great gatsby 978 0743273565

*american anthem 1st edition solutions and answers quizlet* - Dec 13 2022

web with expert solutions for thousands of practice problems you can take the guesswork out of studying and move forward with confidence find step by step solutions and answers to american anthem 9780030994555 as well as thousands of textbooks so you can move forward with confidence

*american anthem modern american history 9780030432972* - Sep 10 2022

web find step by step solutions and answers to exercise 1a from american anthem modern american history 9780030432972 as well as thousands of textbooks so you can move forward with confidence try the fastest way to create flashcards

**american anthem textbook baker ushistory google sites** - Sep 22 2023

web feb 15 2018 american anthem textbook us history supplemental textbook computer labs us powerpoint presentations maps webquests resources and links key terms about me us history assignments american anthem textbook

introduction to american anthem modern american history - Jun 19 2023

web feb 4 2018 description this teacher s edition of american anthem modern american history covers the united states before 1898 and with emphasis on the nation becoming a world power the first world war from war to peace the roaring twenties the great depression the new deal world war ii the cold war post war america the civil

**american anthem 2007 student edition textbooks com** - Aug 09 2022

web buy american anthem 2007 student edition 07 edition 9780030685279 by ayers for up to 90 off at textbooks com

american anthem a song of our nation by scheer gene - Feb 15 2023

web jun 29 2021 american anthem a song of our nation hardcover picture book june 29 2021 by gene scheer author fahmida azim illustrator elizabeth baddeley illustrator 4 9 11 ratings see all formats and editions kindle 7 99

american anthem student edition 2009 amazon com - May 18 2023

web jan 1 2009 amazon com american anthem student edition 2009 9780030994555 holt rinehart and winston books

**american anthem modern american history worldcat org** - Apr 17 2023

web american anthem modern american history worldcat org united states history textbooks contents united states before 1898 beginnings of america forming a new nation developing a national identity union in crisis industrial nation becoming a world power 1898 1920 the progressives

american anthem free download borrow and streaming - Nov 12 2022

web education secondary united states history textbooks united states history study and teaching secondary united states publisher austin tx holt rinehart and winston



**american anthem textbook chapter summaries** - Jul 08 2022

web textbook pdf if you serious looking for ebook holt american anthem online textbook pdf you will be glad to know that right now holt american anthem online textbook pdf is available on our online library explain the context what is happening of the quote and the meaning how does it relate to the native american identity complete the packet from

**american anthem modern american history free download** - Jul 20 2023

web internet archive language english 1 volume various pagings 29 cm grades 9 12 at head of title holt includes index united states before 1898 beginnings of america forming a new nation developing a national identity union in crisis industrial nation becoming a world power 1898 1920 the progressives entering the

*americananthemtextbookchapteroutlines andersones core* - Jun 07 2022

web all souls houghton mifflin harcourt give me liberty is the 1 book in the u s history survey course because it works in the classroom a single author text by a leader in the field give me liberty delivers an authoritative accessible concise and integrated american history

**book supply lists great hearts anthem serving grades k 12** - Apr 05 2022

web prep grades 6 12 school supply list 2023 2024 save time and order supplies through edukit order by june 16th for best pricing archway link to edukit prep link to edukit in regards to backpacks and lunchboxes for archway grades k 5 students please note the following students may bring backpacks and lunchboxes to and from school

panorama geografico brasil amazon com br - Aug 03 2022

web compre online panorama geografico brasil de melhem adas na amazon frete grÁtis em milhares de produtos com o amazon prime encontre diversos livros escritos por melhem adas com ótimos preços

panorama geográfico do brasil blogger - Jan 28 2022

web trabalho de geografia feito pelos alunos bruno dayane larissa e marcus da turma t33 da universidade tecnológica federal do paranÁ

**panorama geográfico do brasil biomas da zona costeira blogger** - Jul 02 2022

web biomas da zona costeira os principais biomas do litoral estão ligados à existência de solos arenosos e salinos são eles os manguezais e os biomas psamófilos a zona costeira brasileira é extensa e variada os ecossistemas que se repetem ao longo da costa apresentam uma grande diversidade climática e geológica

**panorama geográfico do brasil população urbana e rural** - Apr 30 2022

web segundo dado do ibge em 1950 a população urbana brasileira era de 18 782 891 de habitantes sendo a taxa de urbanização de 36 1 já nesse mesmo ano a população rural brasileira era de 33 161 506 habitantes e correspondia a 63 84 da população total vinte anos após a população urbana cresceu para 55 9 da população total

**geografia do brasil ibge** - May 12 2023

web a série geografia do brasil busca oferecer um estudo abrangente das macrorregiões brasileiras destacando as interações espaciais que deram e dão consistência ao recorte macrorregional escolhido É possível perceber ao longo da série as transformações que marcaram a dinâmica socioespacial do território

**geografia do brasil toda matéria** - Apr 11 2023

web o mapa do brasil mostra a representação geográfica do país reunindo as capitais estados e cidades que o compõem o atual mapa político do brasil contém 26 estados e o distrito federal está

**atlas nacional do brasil ibge** - Jun 13 2023

web o brasil foi dividido em seis grandes regiões norte atuais estados do amazonas para acre roraima parte de rondônia parte do mato grosso e parte do maranhão meio norte atual piauí parte do maranhão e parte do ceará nordeste atuais rio grande do norte paraíba pernambuco alagoas sergipe e parte da bahia leste atuais

**panorama são paulo wikipédia a enciclopédia livre** - Dec 27 2021

web panorama é um município brasileiro do estado de são paulo história formação administrativa distrito criado no município de paulicéia pela lei 233 de 24 12 1948 com o povoado de panorama e com terras desmembradas de tupi paulista ex graciánópolis 6 7 8 município criado pela lei 2456 de 30 12 1953 com

**ibge portal do ibge ibge** - Aug 15 2023

web brasil informações ambientais brasil mapas de referência brasil sociedade e economia brasil redes geográficas brasil redes geodésicas imagens do território imagens corrigidas informações ambientais estatísticas e indicadores ambientais estudos ambientais cobertura e uso da terra biodiversidade climatologia geologia

*panorama geográfico do brasil melhem adas google books* - Feb 09 2023

web panorama geográfico do brasil author melhem adas illustrated by marcello martinelli contributor sergio adas edition 4 publisher moderna 2004 isbn 8516043363

ibge atlas escolar mapas mapas do brasil - Mar 10 2023

web advocacia geral da união banco central do brasil planalto bem vindo ao atlas geográfico escolar na internet aqui você encontra ilustrações animadas sobre geografia e cartografia e consulta mapas do brasil e do mundo de uma forma fácil e atraente conceitos gerais

panorama geográfico do brasil relevo do brasil blogger - Dec 07 2022

web o brasil podemos destacar as planícies do pantanal do rio amazonas e as localizadas ao longo do litoral brasileiro figura 3 relevo em relação ao nível do mar disponível em geocpv

*panorama geográfico do brasil mercadolibre* - Jun 01 2022

web frete grátis no dia compre panorama geográfico do brasil parcelado sem juros saiba mais sobre nossas incríveis ofertas e promoções em milhões de produtos pular para o conteúdo mercado livre brasil onde comprar e vender de tudo

**distribuição no espaço geográfico brasileiro panorama geográfico do** - Oct 05 2022

web panorama geográfico do brasil página inicial população distribuição no espaço geográfico brasileiro distribuição no espaço geográfico brasileiro 1ª regionalização no brasil a primeira divisão regional foi estabelecida pelo ibge em 1946 baseado se no conceito de região natural

panorama geográfico do brasil - Feb 26 2022

web panorama geográfico do brasil bem vindo o blog a seguir foi elaborado pelos alunos do 3 ano do curso técnico integrado em informática da universidade tecnológica federal do paraná referente à matéria de geografia trazendo algumas informações do brasil como estrutura geológica relevo hidrografia biomas entre outros

**biomas e seus impactos ambientais panorama geográfico do brasil** - Mar 30 2022

web biomas e seus impactos ambientais biomas bioma em uma visão resumida é um conjunto de ecossistemas constituído por características fauna e flora isionômicas de vegetação semelhantes em determinada região no brasil os biomas conhecidos são mata atlântica amazônico caatinga cerrado pantanal e pampa biomas amazônico É

**ibge brasil em síntese território dados geográficos** - Jul 14 2023

web o brasil em síntese reúne informações que permitem traçar um panorama nacional sob a forma de gráficos e tabelas apresenta dados sobre território população educação trabalho habitação agropecuária indústria comércio serviços e contas nacionais

**panorama geográfico do brasil biomas brasileiros blogger** - Sep 04 2022

web hoje no brasil são encontrados seis tipos de biomas continentais são eles amazônia cerrado mata atlântica caatinga pampa e pantanal nesses conjuntos são encontrados muita diversidade de vida vegetal e animal cada um com uma diversidade biológica própria devido as suas diferenças geográficas de clima etc

panorama geográfico do brasil contradições impasses e - Jan 08 2023

web panorama geográfico do brasil contradições impasses e desafios socioespaciais capa comum 1 janeiro 2004 edição português por melhem adas autor 4 1 9 avaliações de clientes ver todos os formatos e edições capa comum a partir de r 8 00 4

**livro panorama geografico brasil ed4 adas melhem** - Nov 06 2022

web compre panorama geografico brasil ed4 de adas melhem no maior acervo de livros do brasil as mais variadas edições novas semi novas e usadas pelo melhor preço compre aqui livros novos usados e seminovos de milhares de sebos e livrarias