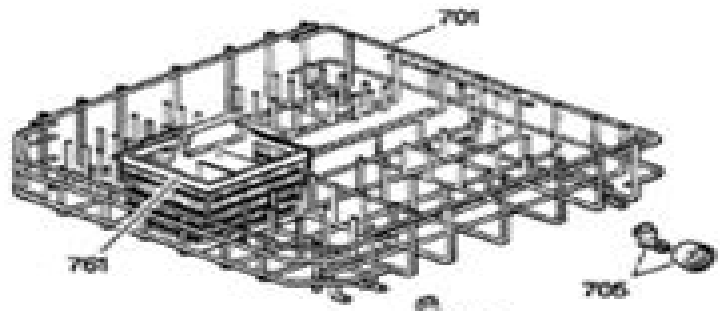


UPPER RACK

(ART. NO. W0806 C7)



LOWER RACK

Ge Nautilus Dishwasher Manual Gsd2600

Marcel A. Müller



Ge Nautilus Dishwasher Manual Gsd2600:

Right here, we have countless books **Ge Nautilus Dishwasher Manual Gsd2600** and collections to check out. We additionally allow variant types and furthermore type of the books to browse. The conventional book, fiction, history, novel, scientific research, as competently as various additional sorts of books are readily to hand here.

As this Ge Nautilus Dishwasher Manual Gsd2600, it ends happening being one of the favored book Ge Nautilus Dishwasher Manual Gsd2600 collections that we have. This is why you remain in the best website to look the unbelievable ebook to have.

https://staging.conocer.cide.edu/files/publication/HomePages/Into_Fields_Of_Fire.pdf

Table of Contents Ge Nautilus Dishwasher Manual Gsd2600

1. Understanding the eBook Ge Nautilus Dishwasher Manual Gsd2600
 - The Rise of Digital Reading Ge Nautilus Dishwasher Manual Gsd2600
 - Advantages of eBooks Over Traditional Books
2. Identifying Ge Nautilus Dishwasher Manual Gsd2600
 - Exploring Different Genres
 - Considering Fiction vs. Non-Fiction
 - Determining Your Reading Goals
3. Choosing the Right eBook Platform
 - Popular eBook Platforms
 - Features to Look for in an Ge Nautilus Dishwasher Manual Gsd2600
 - User-Friendly Interface
4. Exploring eBook Recommendations from Ge Nautilus Dishwasher Manual Gsd2600
 - Personalized Recommendations
 - Ge Nautilus Dishwasher Manual Gsd2600 User Reviews and Ratings
 - Ge Nautilus Dishwasher Manual Gsd2600 and Bestseller Lists
5. Accessing Ge Nautilus Dishwasher Manual Gsd2600 Free and Paid eBooks
 - Ge Nautilus Dishwasher Manual Gsd2600 Public Domain eBooks

- Ge Nautilus Dishwasher Manual Gsd2600 eBook Subscription Services
- Ge Nautilus Dishwasher Manual Gsd2600 Budget-Friendly Options
- 6. Navigating Ge Nautilus Dishwasher Manual Gsd2600 eBook Formats
 - ePub, PDF, MOBI, and More
 - Ge Nautilus Dishwasher Manual Gsd2600 Compatibility with Devices
 - Ge Nautilus Dishwasher Manual Gsd2600 Enhanced eBook Features
- 7. Enhancing Your Reading Experience
 - Adjustable Fonts and Text Sizes of Ge Nautilus Dishwasher Manual Gsd2600
 - Highlighting and Note-Taking Ge Nautilus Dishwasher Manual Gsd2600
 - Interactive Elements Ge Nautilus Dishwasher Manual Gsd2600
- 8. Staying Engaged with Ge Nautilus Dishwasher Manual Gsd2600
 - Joining Online Reading Communities
 - Participating in Virtual Book Clubs
 - Following Authors and Publishers Ge Nautilus Dishwasher Manual Gsd2600
- 9. Balancing eBooks and Physical Books Ge Nautilus Dishwasher Manual Gsd2600
 - Benefits of a Digital Library
 - Creating a Diverse Reading Collection Ge Nautilus Dishwasher Manual Gsd2600
- 10. Overcoming Reading Challenges
 - Dealing with Digital Eye Strain
 - Minimizing Distractions
 - Managing Screen Time
- 11. Cultivating a Reading Routine Ge Nautilus Dishwasher Manual Gsd2600
 - Setting Reading Goals Ge Nautilus Dishwasher Manual Gsd2600
 - Carving Out Dedicated Reading Time
- 12. Sourcing Reliable Information of Ge Nautilus Dishwasher Manual Gsd2600
 - Fact-Checking eBook Content of Ge Nautilus Dishwasher Manual Gsd2600
 - Distinguishing Credible Sources
- 13. Promoting Lifelong Learning
 - Utilizing eBooks for Skill Development
 - Exploring Educational eBooks

14. Embracing eBook Trends

- Integration of Multimedia Elements
- Interactive and Gamified eBooks

Ge Nautilus Dishwasher Manual Gsd2600 Introduction

Free PDF Books and Manuals for Download: Unlocking Knowledge at Your Fingertips In today's fast-paced digital age, obtaining valuable knowledge has become easier than ever. Thanks to the internet, a vast array of books and manuals are now available for free download in PDF format. Whether you are a student, professional, or simply an avid reader, this treasure trove of downloadable resources offers a wealth of information, conveniently accessible anytime, anywhere. The advent of online libraries and platforms dedicated to sharing knowledge has revolutionized the way we consume information. No longer confined to physical libraries or bookstores, readers can now access an extensive collection of digital books and manuals with just a few clicks. These resources, available in PDF, Microsoft Word, and PowerPoint formats, cater to a wide range of interests, including literature, technology, science, history, and much more. One notable platform where you can explore and download free Ge Nautilus Dishwasher Manual Gsd2600 PDF books and manuals is the internet's largest free library. Hosted online, this catalog compiles a vast assortment of documents, making it a veritable goldmine of knowledge. With its easy-to-use website interface and customizable PDF generator, this platform offers a user-friendly experience, allowing individuals to effortlessly navigate and access the information they seek. The availability of free PDF books and manuals on this platform demonstrates its commitment to democratizing education and empowering individuals with the tools needed to succeed in their chosen fields. It allows anyone, regardless of their background or financial limitations, to expand their horizons and gain insights from experts in various disciplines. One of the most significant advantages of downloading PDF books and manuals lies in their portability. Unlike physical copies, digital books can be stored and carried on a single device, such as a tablet or smartphone, saving valuable space and weight. This convenience makes it possible for readers to have their entire library at their fingertips, whether they are commuting, traveling, or simply enjoying a lazy afternoon at home. Additionally, digital files are easily searchable, enabling readers to locate specific information within seconds. With a few keystrokes, users can search for keywords, topics, or phrases, making research and finding relevant information a breeze. This efficiency saves time and effort, streamlining the learning process and allowing individuals to focus on extracting the information they need. Furthermore, the availability of free PDF books and manuals fosters a culture of continuous learning. By removing financial barriers, more people can access educational resources and pursue lifelong learning, contributing to personal growth and professional development. This democratization of knowledge promotes intellectual curiosity and empowers individuals to become lifelong learners, promoting progress and innovation in various

fields. It is worth noting that while accessing free Ge Nautilus Dishwasher Manual Gsd2600 PDF books and manuals is convenient and cost-effective, it is vital to respect copyright laws and intellectual property rights. Platforms offering free downloads often operate within legal boundaries, ensuring that the materials they provide are either in the public domain or authorized for distribution. By adhering to copyright laws, users can enjoy the benefits of free access to knowledge while supporting the authors and publishers who make these resources available. In conclusion, the availability of Ge Nautilus Dishwasher Manual Gsd2600 free PDF books and manuals for download has revolutionized the way we access and consume knowledge. With just a few clicks, individuals can explore a vast collection of resources across different disciplines, all free of charge. This accessibility empowers individuals to become lifelong learners, contributing to personal growth, professional development, and the advancement of society as a whole. So why not unlock a world of knowledge today? Start exploring the vast sea of free PDF books and manuals waiting to be discovered right at your fingertips.

FAQs About Ge Nautilus Dishwasher Manual Gsd2600 Books

How do I know which eBook platform is the best for me? Finding the best eBook platform depends on your reading preferences and device compatibility. Research different platforms, read user reviews, and explore their features before making a choice. Are free eBooks of good quality? Yes, many reputable platforms offer high-quality free eBooks, including classics and public domain works. However, make sure to verify the source to ensure the eBook credibility. Can I read eBooks without an eReader? Absolutely! Most eBook platforms offer webbased readers or mobile apps that allow you to read eBooks on your computer, tablet, or smartphone. How do I avoid digital eye strain while reading eBooks? To prevent digital eye strain, take regular breaks, adjust the font size and background color, and ensure proper lighting while reading eBooks. What the advantage of interactive eBooks? Interactive eBooks incorporate multimedia elements, quizzes, and activities, enhancing the reader engagement and providing a more immersive learning experience. Ge Nautilus Dishwasher Manual Gsd2600 is one of the best book in our library for free trial. We provide copy of Ge Nautilus Dishwasher Manual Gsd2600 in digital format, so the resources that you find are reliable. There are also many Ebooks of related with Ge Nautilus Dishwasher Manual Gsd2600. Where to download Ge Nautilus Dishwasher Manual Gsd2600 online for free? Are you looking for Ge Nautilus Dishwasher Manual Gsd2600 PDF? This is definitely going to save you time and cash in something you should think about. If you trying to find then search around for online. Without a doubt there are numerous these available and many of them have the freedom. However without doubt you receive whatever you purchase. An alternate way to get ideas is always to check another Ge Nautilus Dishwasher Manual Gsd2600. This method for see exactly what may be included and adopt these ideas to your book. This site will almost certainly help you save time and effort, money and stress. If you are

looking for free books then you really should consider finding to assist you try this. Several of Ge Nautilus Dishwasher Manual Gsd2600 are for sale to free while some are payable. If you arent sure if the books you would like to download works with for usage along with your computer, it is possible to download free trials. The free guides make it easy for someone to free access online library for download books to your device. You can get free download on free trial for lots of books categories. Our library is the biggest of these that have literally hundreds of thousands of different products categories represented. You will also see that there are specific sites catered to different product types or categories, brands or niches related with Ge Nautilus Dishwasher Manual Gsd2600. So depending on what exactly you are searching, you will be able to choose e books to suit your own need. Need to access completely for Campbell Biology Seventh Edition book? Access Ebook without any digging. And by having access to our ebook online or by storing it on your computer, you have convenient answers with Ge Nautilus Dishwasher Manual Gsd2600 To get started finding Ge Nautilus Dishwasher Manual Gsd2600, you are right to find our website which has a comprehensive collection of books online. Our library is the biggest of these that have literally hundreds of thousands of different products represented. You will also see that there are specific sites catered to different categories or niches related with Ge Nautilus Dishwasher Manual Gsd2600 So depending on what exactly you are searching, you will be able to choose ebook to suit your own need. Thank you for reading Ge Nautilus Dishwasher Manual Gsd2600. Maybe you have knowledge that, people have search numerous times for their favorite readings like this Ge Nautilus Dishwasher Manual Gsd2600, but end up in harmful downloads. Rather than reading a good book with a cup of coffee in the afternoon, instead they juggled with some harmful bugs inside their laptop. Ge Nautilus Dishwasher Manual Gsd2600 is available in our book collection an online access to it is set as public so you can download it instantly. Our digital library spans in multiple locations, allowing you to get the most less latency time to download any of our books like this one. Merely said, Ge Nautilus Dishwasher Manual Gsd2600 is universally compatible with any devices to read.

Find Ge Nautilus Dishwasher Manual Gsd2600 :

into fields of fire

intervertebral disc protrusion in the do

interpretive guide to the millon clinical multiaxial inventory

interpersonal nursing mental health

interprofessional care and collaborative practice

internationalized criminal courts sierra leone east timor kosovo and cambodia

interpretations essays on twelve english poems

international whos who in energy and nuclear sciences reference on research

intimate glimpses from brownings letter

international regulation of civil wars

international science. volume 20 of guide to world science series.

interpersonal communication for technically trained managers a guide to skills and techniques

international politics of sport in the 20th century

into the looking-glass wood

intervertebral disk diseases causes diagnosis treatment and prophylaxis

Ge Nautilus Dishwasher Manual Gsd2600 :

us history benchmark answers help environment harvard edu - Feb 25 2022

web success neighboring to the broadcast as with ease as keenness of this us history benchmark answers can be taken as competently as picked to act washington s

for ultra orthodox the answer to where was god in the - May 19 2021

web 1 day ago benjamin netanyahu s remark sunday that the holy one blessed be he has not always protected us is genuinely harsh in the eyes of ultra orthodox jews

flashback your weekly history quiz september 10 2023 - Aug 22 2021

web sep 8 2023 flashback your weekly history quiz september 10 2023 the new york times

quizlet - Oct 04 2022

web we would like to show you a description here but the site won t allow us

usa test prep benchmark review flashcards quizlet - Dec 06 2022

web q chat created by curly chrissy terms in this set 377 what was the first permanent english settlement in north america jamestown looking at the map what can you tell

u s history practice tests varsity tutors - May 31 2022

web take one of our many u s history practice tests for a run through of commonly asked questions you will receive incredibly detailed scoring results at the end of your u s

2023 2024 assessment guide for u s history louisiana - Apr 29 2022

web answer as well as multiple select ms questions with more than four answer options and two or more correct answers ms questions for u s history have five to seven answer

us history benchmark 1 flashcards quizlet - Jun 12 2023

web terms in this set 43 washington the first us president democratic republican strict interpretation of the constitution

supported by poor and farmers favored france in foriegn

[the left can t stop wondering where bill clinton went wrong](#) - Jun 19 2021

web 4 hours ago nelson lichtenstein and judith stein s a fabulous failure reviewed popular memory has not been kind to bill clinton even many liberals and progressives now

[us government shutdown definition impact history explained](#) - Jul 21 2021

web 1 day ago the us government is approaching yet another possible shutdown unless congress enacts a stopgap spending bill that carries through the start of a new fiscal

[u s history benchmark flashcards quizlet](#) - Apr 10 2023

web study with quizlet and memorize flashcards containing terms like what was the name of the biological exchange to plants animals and germs between the new and old worlds

us history benchmark review 2 flashcards quizlet - Jan 07 2023

web 1 74 this woman wrote the book uncle tom s cabin click the card to flip flashcards learn test created by savannahpope terms in this set 74 harriet beecher stowe this

[us history benchmark 1 review 2021 2022 flashcards quizlet](#) - May 11 2023

web spanish colonists 1 french colonists 2 which pair of actions best fill in the blanks correctly 1

[naep u s history sample questions nation s report card](#) - Mar 17 2021

web 58 correct show show scoring information and commentary the correct answer is a they believed that drinking alcohol had a negative impact on society percentage of

u s history benchmark teaching resources tpt - Oct 24 2021

web benchmark 2 tn ccss 4 1 4 2 4 4 4 5 4 17 4 20 4 24 4 45 this is the 2nd benchmark i have created for tn ccss 4th grade u s history beginning to 1865

us history benchmark 1 flashcards studyhippo com - Jan 27 2022

web jul 8 2022 us history benchmark 1 flashcards get access to high quality and unique 50 000 college essay examples and more than 100 000 flashcards and test answers

[your questions answered on another possible us government](#) - Apr 17 2021

web 22 hours ago september 14 2023 at 4 14 p m edt the us government is approaching yet another possible shutdown unless congress enacts a stopgap spending bill that

[us history benchmark 1 study guide flashcards quizlet](#) - Feb 08 2023

web study with quizlet and memorize flashcards containing terms like southern colonies quebec half way covenant and more

us history 1st semester benchmark review studocu - Sep 03 2022

web united states history first semester review i civil war and reconstruction understand the causes course and consequences of the civil war and reconstruction and its

us history benchmark review flashcards quizlet - Mar 09 2023

web study with quizlet and memorize flashcards containing terms like us history hot dates jamestown 13 colonies georgia and more

u s history benchmark answers 2023 acscu net - Aug 02 2022

web free u s history benchmark answers 2023 new us history benchmark review 2 3 3 reviews term 1 68 us history hot dates click the card to flip definition 1 68

us history benchmark ss 11 082 e pdf course hero - Jul 01 2022

web a the increasing numbers of immigrants from eastern and southern europe the strengthening of jim crow laws in the southern united states the rising tensions

us history benchmark test 2013 2023 - Dec 26 2021

web us history benchmark test 2013 west e history 027 secrets study guide jul 31 2021 answer the question benchmark valid information avoid fact traps milk the

american history benchmark test 2 answers - Nov 05 2022

web american history benchmark test 2 answers study guide advertisement name period date study guide benchmark 2

benchmark review american history quiz quizizz - Mar 29 2022

web play this game to review american history a new philosophy formulated by ralph waldo emerson that emphasized the value of the simple life and the truth found in nature

2022 us history benchmark flashcards quizlet - Jul 13 2023

web only 35 99 year 2022 us history benchmark flashcards learn test match flashcards learn test match created by angie diaz64 terms in this set 118 spoils system

8th grade us history may benchmark proprofs quiz - Nov 24 2021

web mar 21 2023 35 questions by catherinehalcomb updated mar 21 2022 attempts 180 share settings start create your own quiz this is the wcsd benchmark exam for all

key facts about americans and guns pew research center - Sep 22 2021

web sep 13 2023 about six in ten u s adults 58 favor stricter gun laws another 26 say that u s gun laws are about right and 15 favor less strict gun laws the percentage

2021 us history benchmark flashcards quizlet - Aug 14 2023

web 2021 us history benchmark 3 7 3 reviews historical era click the card to flip a period of time in history including social

political and economic events click the card to flip 1

fliegerrevue x kalender 2020 takvim amazon com tr - Sep 22 2023

web fliegerrevue x kalender 2020 redaktion fliegerrevuex amazon com tr Çerez tercihlerinizi seçin Çerez bildirimimizde detaylandırıldığı üzere satın alım yapmanızı

fliegerrevue kalender 2020 calendar 1 january 2019 - Dec 13 2022

web sorry there was a problem saving your cookie preferences try again

fliegerrevue x kalender 2022 fliegerrevue x - Jul 20 2023

web startseite weltraumschiff 1 startet deutscher zukunftsfilm von 1937 100 jahre boeing kurzstrecken jet boeing 737 100 jahre ganzmetall flugzeug

fliegerrevuex kalender 2021 amazon com tr - May 18 2023

web sep 16 2019 fliegerrevue x kalender 2020 on amazon com free shipping on qualifying offers fliegerrevue x kalender 2020

fliegerrevue kalender 2020 redaktion fliegerrevue - Jan 14 2023

web fliegerrevue kalender 2020 redaktion fliegerrevue on amazon com au free shipping on eligible orders fliegerrevue kalender 2020

fliegerrevuex kalender 2020 data northitalia com - Jun 07 2022

web fliegerrevuex kalender 2020 introduction to architecture james c snyder 1979 good no highlights no markup all pages are intact slight shelfwear may have the

airex İstanbul airshow uluslararası sivil havacılık ve - Jan 02 2022

web oct 18 2023 11 32 a m et on dec 24 2020 kenneth chesebro and other lawyers fighting to reverse president donald j trump s election defeat were debating whether to

fliegerrevuex calendar 2020 with unique photos from - Feb 15 2023

web select the department you want to search in

fliegerrevuex kalender 2020 pdf full pdf snapshot segmetrics - Aug 09 2022

web fliegerrevuex kalender 2020 downloaded from creativemuseums bac org uk by guest aidan trevon national geographic kids almanac 2017 i white star publishers from

fliegerrevuex kalender 2020 kalender bei - Jun 19 2023

web fliegerrevuex kalender 2021 amazon com tr Çerez tercihlerinizi seçin Çerez bildirimimizde detaylandırıldığı üzere satın alım yapmanızı sağlamak alışveriş

fliegerrevuex kalender 2020 amazon de - Nov 12 2022

web fliegerrevue raumfahrt kalender 2021 amazon com tr kitap Çerez tercihlerinizi seçin Çerez bildirimimizde ayrıntılı şekilde açıklandığı üzere alışveriş yapmanızı sağlamak

fliegerrevue x kalender 2020 9783955122058 amazon com - Apr 17 2023

web select the department you want to search in

flughafen istanbul abflug ist flugplan abflugzeiten - Oct 31 2021

web fliegerrevuex kalender 2020 pdf pages 2 4 fliegerrevuex kalender 2020 pdf upload mita a ferguson 2 4 downloaded from veracode dev anaconda com on october 2 2023

fliegerrevue raumfahrt kalender 2023 amazon de - Feb 03 2022

web airex İstanbul airshow uluslararası sivil havacılık ve havalimanları fuarı 2023 ile ilgili tüm bilgiler türkiye nin bağımsız ve güncel fuar takvimi sitesi fuarlist te

fliegerrevuex kalender 2020 creativemuseums bac org uk - Jul 08 2022

web fliegerrevuex kalender 2020 downloaded from data northitalia com by guest melody nicholson the aesthetic use of the logical functions in kant s third critique

fliegerrevue kalender 2020 takvim amazon com tr - Aug 21 2023

web fliegerrevue kalender 2020 redaktion fliegerrevue amazon com tr kitap Çerez tercihlerinizi seçin Çerez bildirimimizde ayrıntılı şekilde açıklandığı üzere alışveriş

trump lawyer acknowledged political agenda in election suit - Dec 01 2021

web oct 20 2023 alle abflüge und verspätungen des flughafen istanbul die geplante abflugszeit finden sie in der spalte abflug die aktualisierte darunter sollte ein abflug

fliegerrevue x kalender 2020 amazon co uk books - Mar 16 2023

web find many great new used options and get the best deals for fliegerrevuex calendar 2020 with unique photos from historical planes at the best online prices at ebay free

fliegerrevuex kalender 2020 pdf veracode dev anaconda com - Sep 29 2021

fliegerrevuex kalender 2020 help environment harvard edu - Mar 04 2022

web 26 90 9 neu ab 26 75 die vielfältigen motive des raumfahrtkalenders 2023 der fliegerrevue bieten weltraumfans jeden monat ein neues highlight die faszination von

so findest du einen guten flug in die türkei türkeireiseblog de - Apr 05 2022

web it is your unconditionally own time to piece of legislation reviewing habit in the course of guides you could enjoy now is fliegerrevuex kalender 2020 below no place like

fliegerrevue raumfahrt kalender 2021 amazon com tr kitap - Oct 11 2022

web karriere guide luftfahrtberufe 2020 printausgabe oder e paper 8 80 9 80 mig 15 der jäger der den westen schockte
fliegerrevue kompakt 7 19 90 pearl harbor

fliegerrevue kalender 2021 12 95 - Sep 10 2022

web introduction fliegerrevuex kalender 2020 pdf full pdf off board car diagnostics based on heterogeneous highly
imbalanced and high dimensional data using

fliegerrevuex kalender 2020 waptac org - May 06 2022

web jan 1 2019 ich kenne kein anderes land mit vergleichbar günstigen inlandsflügen wie in der türkei istanbul antalya im
hin und rückflug kostet im herbst winter und frühling

tricky vic the impossibly true story of the man who sold the - Jun 03 2022

web early 1900s tricky vic first conned chicago mobster al capone eventually he went to paris to pull off something big a con
that would secure his future for years to come glossary

tricky vic the impossibly true story of the man who sold the - Jan 30 2022

web mar 31 2015 you may know greg pizzoli from his fantastic picture books but his highly readable crazy fun first non
fiction picture book tricky vic the impossibly true story of the man who sold the eiffel tower will knock your socks off the
story of robert miller and the brilliant way in which pizzoli tells his story with words and pictures is superb

the impossibly true story of tricky vic youtube - Feb 28 2022

web book trailer

tricky vic the impossibly true story of the man who sold the - Jul 16 2023

web english 48 p 19 cm in the early 1900s robert miller a k a count victor lustig moved to paris hoping to be an artist a con
artist that is he used his ingenious scams on unsuspecting marks all over the world from the czech republic to atlantic ocean
liners and across america

tricky vic the impossibly true story of the man who sold the - May 02 2022

web it s a nonfiction book a biography of a man called tricky vic who was actually born robert miller in what is now the czech
republic in 1890 he became a gambler probably a cheat but it doesn t specify

tricky vic the impossibly true story of the man who sold the - Jun 15 2023

web in the early 1900s robert miller a k a count victor lustig moved to paris hoping to be an artist a con artist that is he used
his ingenious scams on unsuspecting marks all over the world

tricky vic on apple books - Dec 09 2022

web mar 10 2015 the story opens slowly as pizzoli reviews lustig s early career and first con jobs but picks up when the man

conceived of a wild plan to sell the eiffel tower to a scrap dealer in those days pizzoli explains the eiffel tower was not the beloved icon it is now and tearing it down was not an outlandish idea

tricky vic and earmuffs for everyone the new york times - Oct 07 2022

web mar 11 2015 tricky vic the impossibly true story of the man who sold the eiffel tower by greg pizzoli 39 pp viking 17 99 picture book ages 7 10

tricky vic the impossibly true story of the man who sold - Nov 08 2022

web abebooks com tricky vic the impossibly true story of the man who sold the eiffel tower 9780670016525 by pizzoli greg and a great selection of similar new used and collectible books available now at great prices

tricky vic the impossibly true story of the man who sold the - Aug 17 2023

web mar 10 2015 tricky vic pulled off his most daring con in 1925 when he managed to sell the eiffel tower to one of the city s most successful scrap metal dealers six weeks later he tried to sell the eiffel tower all over again vic was

tricky vic the impossibly true story of the man who sold the - Mar 12 2023

web mar 10 2015 tricky vic pulled off his most daring con in 1925 when he managed to sell the eiffel tower to one of the city s most successful scrap metal dealers six weeks later he tried to sell the eiffel tower all over again

tricky vic the impossibly true story of the man who sold the - Feb 11 2023

web mar 10 2015 tricky vic the impossibly true story of the man who sold the eiffel tower kindle edition by greg pizzoli author format kindle edition 4 0 56 ratings editors pick best nonfiction for kids see all formats and editions kindle 7 99 read with our free app hardcover 17 99 43 used from 1 35 7 new from 12 66

tricky vic the impossibly true story of the man who sold the - Apr 13 2023

web mar 10 2015 in the early 1900s robert miller a k a count victor lustig moved to paris hoping to be an artist a con artist that is he used his ingenious scams on unsuspecting marks all over the world from the czech republic to atlantic ocean liners and

tricky vic the impossibly true story of the man who sold the - Sep 06 2022

web tricky vic the impossibly true story of the man who sold the eiffel tower ebook pizzoli greg amazon co uk kindle store

tricky vic the impossibly true story of the man who sold the - May 14 2023

web penguin mar 10 2015 juvenile nonfiction 48 pages a new york times book review best illustrated children s book of 2015 in the early 1900s robert miller a k a count victor lustig moved to paris hoping to be an artist a con artist that is

tricky vic the impossibly true story of the man who sold the - Apr 01 2022

web buy tricky vic the impossibly true story of the man who sold the eiffel tower online on amazon eg at best prices fast and free shipping free returns cash on delivery available on eligible purchase

tricky vic the impossibly true story of the man who sold the - Jan 10 2023

web mar 10 2015 parents need to know that tricky vic the impossibly true story of the man who sold the eiffel tower is an engaging smartly illustrated story about a lifelong criminal in the early 20th century it discusses prohibition organized crime bootlegging gambling counterfeiting and scams and explains how cons

the impossibly true story of tricky vic the man who sold - Jul 04 2022

web catalog the impossibly true story book the impossibly true story of tricky vic the man who sold the eiffel tower book average rating author pizzoli greg published new york viking an imprint of penguin group usa 2015 physical desc

tricky vic the impossibly true story of the man who so - Sep 18 2023

web mar 10 2015 tricky vic the impossibly true story of the man who sold the eiffel tower is a children s picture book written and illustrated by greg pizzoli it centers on the story of a consummate 20th century con man

tricky vic the impossibly true story of the man who sold the - Aug 05 2022

web tricky vic the impossibly true story of the man who sold the eiffel tower greg pizzoli 48 pages first pub 2015 isbn uid 9780670016525 format hardcover language english publisher viking books for young readers publication date 10 march 2015 nonfiction biography