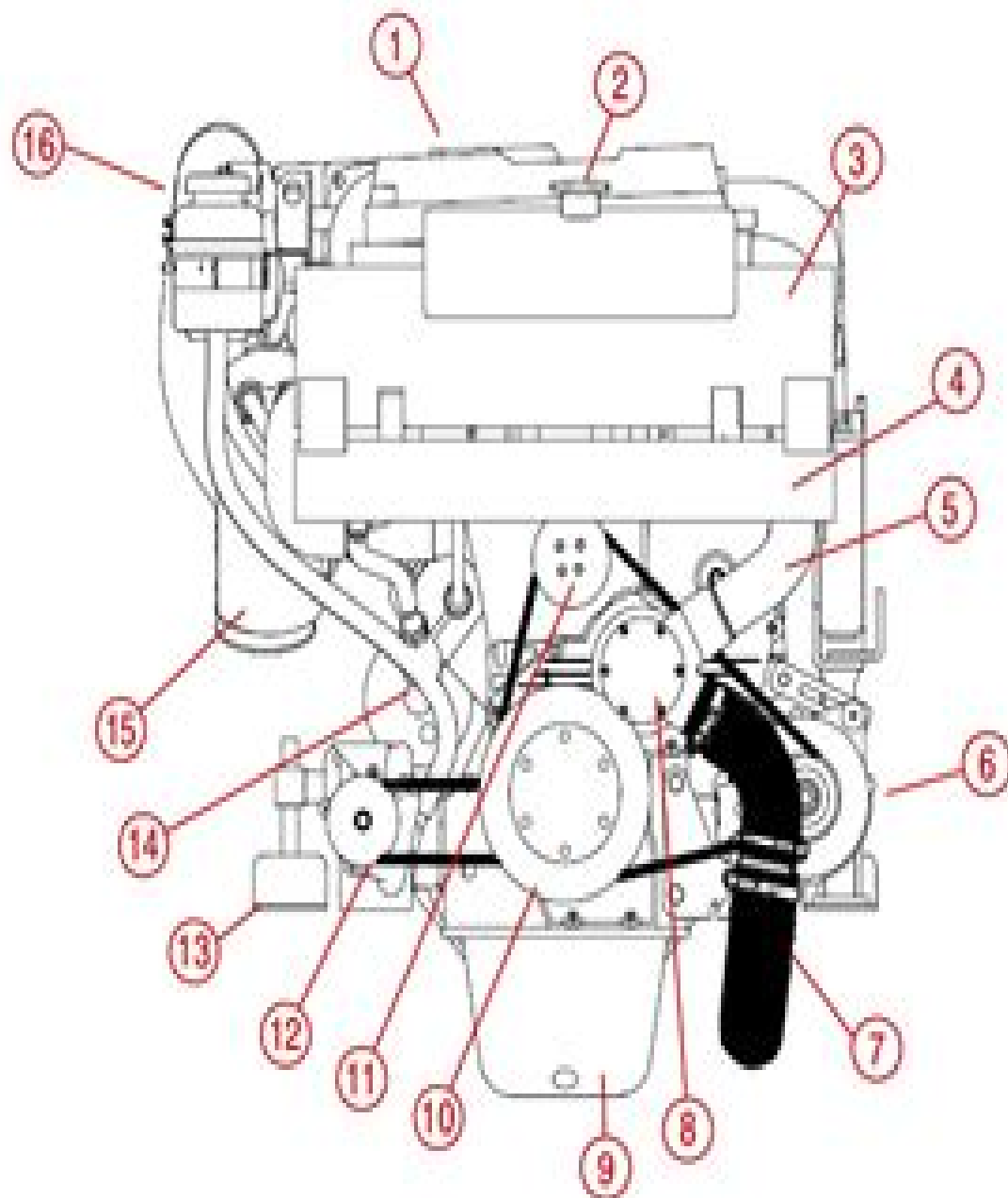


# Front View



# Mercury 4 2 D Tronic Diagram Electric

**Jianjun Gao**



**MerCruiser 4 2 D Tronic Diagram Electric:**

## **Mer cruiser 4 2 D Tronic Diagram Electric** Book Review: Unveiling the Power of Words

In a world driven by information and connectivity, the power of words has become much more evident than ever. They have the ability to inspire, provoke, and ignite change. Such may be the essence of the book **Mer cruiser 4 2 D Tronic Diagram Electric**, a literary masterpiece that delves deep to the significance of words and their impact on our lives. Published by a renowned author, this captivating work takes readers on a transformative journey, unraveling the secrets and potential behind every word. In this review, we shall explore the book's key themes, examine its writing style, and analyze its overall effect on readers.

[https://staging.conocer.cide.edu/About/scholarship/Download\\_PDFS/Film%20Als%20Film%201910%20Bis%20Heute.pdf](https://staging.conocer.cide.edu/About/scholarship/Download_PDFS/Film%20Als%20Film%201910%20Bis%20Heute.pdf)

### **Table of Contents Mer cruiser 4 2 D Tronic Diagram Electric**

1. Understanding the eBook Mer cruiser 4 2 D Tronic Diagram Electric
  - The Rise of Digital Reading Mer cruiser 4 2 D Tronic Diagram Electric
  - Advantages of eBooks Over Traditional Books
2. Identifying Mer cruiser 4 2 D Tronic Diagram Electric
  - Exploring Different Genres
  - Considering Fiction vs. Non-Fiction
  - Determining Your Reading Goals
3. Choosing the Right eBook Platform
  - Popular eBook Platforms
  - Features to Look for in an Mer cruiser 4 2 D Tronic Diagram Electric
  - User-Friendly Interface
4. Exploring eBook Recommendations from Mer cruiser 4 2 D Tronic Diagram Electric
  - Personalized Recommendations
  - Mer cruiser 4 2 D Tronic Diagram Electric User Reviews and Ratings
  - Mer cruiser 4 2 D Tronic Diagram Electric and Bestseller Lists

5. Accessing Mercruiser 4 2 D Tronic Diagram Electric Free and Paid eBooks
  - Mercruiser 4 2 D Tronic Diagram Electric Public Domain eBooks
  - Mercruiser 4 2 D Tronic Diagram Electric eBook Subscription Services
  - Mercruiser 4 2 D Tronic Diagram Electric Budget-Friendly Options
6. Navigating Mercruiser 4 2 D Tronic Diagram Electric eBook Formats
  - ePub, PDF, MOBI, and More
  - Mercruiser 4 2 D Tronic Diagram Electric Compatibility with Devices
  - Mercruiser 4 2 D Tronic Diagram Electric Enhanced eBook Features
7. Enhancing Your Reading Experience
  - Adjustable Fonts and Text Sizes of Mercruiser 4 2 D Tronic Diagram Electric
  - Highlighting and Note-Taking Mercruiser 4 2 D Tronic Diagram Electric
  - Interactive Elements Mercruiser 4 2 D Tronic Diagram Electric
8. Staying Engaged with Mercruiser 4 2 D Tronic Diagram Electric
  - Joining Online Reading Communities
  - Participating in Virtual Book Clubs
  - Following Authors and Publishers Mercruiser 4 2 D Tronic Diagram Electric
9. Balancing eBooks and Physical Books Mercruiser 4 2 D Tronic Diagram Electric
  - Benefits of a Digital Library
  - Creating a Diverse Reading Collection Mercruiser 4 2 D Tronic Diagram Electric
10. Overcoming Reading Challenges
  - Dealing with Digital Eye Strain
  - Minimizing Distractions
  - Managing Screen Time
11. Cultivating a Reading Routine Mercruiser 4 2 D Tronic Diagram Electric
  - Setting Reading Goals Mercruiser 4 2 D Tronic Diagram Electric
  - Carving Out Dedicated Reading Time
12. Sourcing Reliable Information of Mercruiser 4 2 D Tronic Diagram Electric
  - Fact-Checking eBook Content of Mercruiser 4 2 D Tronic Diagram Electric
  - Distinguishing Credible Sources
13. Promoting Lifelong Learning

- Utilizing eBooks for Skill Development
  - Exploring Educational eBooks
14. Embracing eBook Trends
- Integration of Multimedia Elements
  - Interactive and Gamified eBooks

### **Mercuriser 4 2 D Tronic Diagram Electric Introduction**

Free PDF Books and Manuals for Download: Unlocking Knowledge at Your Fingertips In today's fast-paced digital age, obtaining valuable knowledge has become easier than ever. Thanks to the internet, a vast array of books and manuals are now available for free download in PDF format. Whether you are a student, professional, or simply an avid reader, this treasure trove of downloadable resources offers a wealth of information, conveniently accessible anytime, anywhere. The advent of online libraries and platforms dedicated to sharing knowledge has revolutionized the way we consume information. No longer confined to physical libraries or bookstores, readers can now access an extensive collection of digital books and manuals with just a few clicks. These resources, available in PDF, Microsoft Word, and PowerPoint formats, cater to a wide range of interests, including literature, technology, science, history, and much more. One notable platform where you can explore and download free Mercuriser 4 2 D Tronic Diagram Electric PDF books and manuals is the internet's largest free library. Hosted online, this catalog compiles a vast assortment of documents, making it a veritable goldmine of knowledge. With its easy-to-use website interface and customizable PDF generator, this platform offers a user-friendly experience, allowing individuals to effortlessly navigate and access the information they seek. The availability of free PDF books and manuals on this platform demonstrates its commitment to democratizing education and empowering individuals with the tools needed to succeed in their chosen fields. It allows anyone, regardless of their background or financial limitations, to expand their horizons and gain insights from experts in various disciplines. One of the most significant advantages of downloading PDF books and manuals lies in their portability. Unlike physical copies, digital books can be stored and carried on a single device, such as a tablet or smartphone, saving valuable space and weight. This convenience makes it possible for readers to have their entire library at their fingertips, whether they are commuting, traveling, or simply enjoying a lazy afternoon at home. Additionally, digital files are easily searchable, enabling readers to locate specific information within seconds. With a few keystrokes, users can search for keywords, topics, or phrases, making research and finding relevant information a breeze. This efficiency saves time and effort, streamlining the learning process and allowing individuals to focus on extracting the information they need. Furthermore, the availability of free PDF books and manuals fosters a culture of continuous learning. By removing financial barriers, more people can access educational resources and pursue lifelong

learning, contributing to personal growth and professional development. This democratization of knowledge promotes intellectual curiosity and empowers individuals to become lifelong learners, promoting progress and innovation in various fields. It is worth noting that while accessing free Mercruiser 4 2 D Tronic Diagram Electric PDF books and manuals is convenient and cost-effective, it is vital to respect copyright laws and intellectual property rights. Platforms offering free downloads often operate within legal boundaries, ensuring that the materials they provide are either in the public domain or authorized for distribution. By adhering to copyright laws, users can enjoy the benefits of free access to knowledge while supporting the authors and publishers who make these resources available. In conclusion, the availability of Mercruiser 4 2 D Tronic Diagram Electric free PDF books and manuals for download has revolutionized the way we access and consume knowledge. With just a few clicks, individuals can explore a vast collection of resources across different disciplines, all free of charge. This accessibility empowers individuals to become lifelong learners, contributing to personal growth, professional development, and the advancement of society as a whole. So why not unlock a world of knowledge today? Start exploring the vast sea of free PDF books and manuals waiting to be discovered right at your fingertips.

### **FAQs About Mercruiser 4 2 D Tronic Diagram Electric Books**

How do I know which eBook platform is the best for me? Finding the best eBook platform depends on your reading preferences and device compatibility. Research different platforms, read user reviews, and explore their features before making a choice. Are free eBooks of good quality? Yes, many reputable platforms offer high-quality free eBooks, including classics and public domain works. However, make sure to verify the source to ensure the eBook credibility. Can I read eBooks without an eReader? Absolutely! Most eBook platforms offer web-based readers or mobile apps that allow you to read eBooks on your computer, tablet, or smartphone. How do I avoid digital eye strain while reading eBooks? To prevent digital eye strain, take regular breaks, adjust the font size and background color, and ensure proper lighting while reading eBooks. What the advantage of interactive eBooks? Interactive eBooks incorporate multimedia elements, quizzes, and activities, enhancing the reader engagement and providing a more immersive learning experience. Mercruiser 4 2 D Tronic Diagram Electric is one of the best book in our library for free trial. We provide copy of Mercruiser 4 2 D Tronic Diagram Electric in digital format, so the resources that you find are reliable. There are also many Ebooks of related with Mercruiser 4 2 D Tronic Diagram Electric. Where to download Mercruiser 4 2 D Tronic Diagram Electric online for free? Are you looking for Mercruiser 4 2 D Tronic Diagram Electric PDF? This is definitely going to save you time and cash in something you should think about.

**Find Mercruiser 4 2 D Tronic Diagram Electric :****film als film 1910 bis heute**[financial reporting 2.5](#)**final agenda**[financial times guide to using the financial pages](#)**filosofiia simvolicheskikh form e kabirera genezis osnovnye poniatiiia kontekst**[financial and accounting guide for not-for-profit organizations 2003 cumulative supplement](#)[financing mining projects in developing countries a united nations study](#)**find inspector west large print edition**[fiji in pictures](#)**financial analysis for managers volume ii volume ii**[fighting with food leadership values and social control in a massin society](#)[financial history of western europe](#)[find fish anywhere anytime](#)[final imperative the islamic theory of liberation](#)[figure in american sculpture](#)**Mercruiser 4 2 D Tronic Diagram Electric :**[zimsec past exam papers and marking schemes facebook](#) - Feb 15 2023[web zimsec past exam papers and marking schemes](#) 15 221 likes 4 talking about this zimsec o and a level study resources o[level past exam questions and marking schemes a level past](#)[zimsec geography paper 2 and marking sheme](#) - Jul 20 2023[web zimsec geography paper 2 and marking sheme edexcel a level geography student guide 5 aqa geography for a level as](#)[physical geography revision guide jun 20 2021 geography optional papers 2010 regional geography paper 2 58 68](#)**zimsec june a level geography paper 2 pdf jill goulder 2023** - Mar 04 2022[web apr 24 2023 zimsec june a level geography paper 2 pdf](#) right here we have countless ebook zimsec june a level[geography paper 2 pdf and collections to check out we additionally manage to pay for variant types and as well as type of the](#)[books to browse the standard book fiction history novel scientific research as skillfully as](#)[geography a level exams and quiz free zimsec cambridge revision notes](#) - Jun 19 2023



web zimsec advanced level geography past examination papers topical quiz hydrology storm hydrographs quiz past exam papers 2015 november paper 1 november paper 2 june paper 1 june paper 2 november paper 1 november paper 2 june paper 1 june paper 2 notes weekly quizzes getting started with the new curriculum news tips

**zimsec past papers answer pdf download updated** - Mar 16 2023

web zimsec past papers answer pdf download to download the zimsec past papers click on the download link below

**zimsec o level geography june 2019 past exam paper 2 pdf** - Apr 05 2022

web zimbabwe school examinations council general certificate of education ordinary level geography 4022 2 paper 2 june 2019 session 2 hours 30 minutes additional materials answer paper time 2 hours 30 minutes instructions to candidates write your name centre number and candidate number in the spaces provide on the answer

**zimsec a level geography 6037 specimen past papers pdf** - Oct 11 2022

web dec 31 2022 download zimsec a level geography 6037 specimen past papers pdf the past questions here should prove useful as you prepare for the forthcoming zimsec zimbabwe school examinations council advanced level exam

[zimsec a level geography past exam papers pdf download](#) - Nov 12 2022

web download zimsec a level geography past exam papers pdf download geography a level exams and quiz garikai dzoma 2019 08 29t03 04 22 02 00 zimsec advanced level geography past examination papers topical quiz hydrology storm hydrographs quiz past exam papers 2015 november paper 1 november paper 2 june paper 1

[a level all zimsec a level past exam papers and answers](#) - May 18 2023

web dec 31 2022 zimsec advanced level past question papers with corrections studying while practicing with past exam papers will surely give you a better understanding of the a level all zimsec a level past exam papers and answers espacetutos

**zimsec a level specimen papers 2024 2025 zfinder** - Jan 14 2023

web zimsec a level specimen papers 2024 2025 zimsec a level specimen papers 2024 2025 details of zimsec a level specimen papers 2024 2025 click on the download link in order to download the specimen paper zimsec results

*zimsec a level geography june 2023 paper 2 pdf* - Oct 23 2023

web download marking scheme and question paper zimsec a level geography june 2023 paper 2 pdf for free

**geography zimsec a level question papers 2022 esource svb** - May 06 2022

web zimsec geography a level question paper 2 pdf joomlaxe com geography zimsec a level question papers downloaded from esource svb com by guest mallory callum zimsec a level geography 2019 syllabus joomlaxe com geography zimsec a level questionform 5 factors affecting vegetation distribution plant succession

*zimsec o and a level past exam questions and marking schemes* - Sep 22 2023

web nov 6 2013 resources available on the app o level past exam questions and marking schemes a level past exam

questions and marking schemes o and a level notes a level blue books o level green books for more resources check out the zambuko website click the link below and locate the zambuko website zambuko zimsec resources

**download all zimsec a level past exam papers and answers** - Aug 21 2023

web mar 26 2021 download all zimsec a level past exam papers and answers in pdf zimsec advanced level past question papers with corrections studying while practicing with past exam papers will surely give you a better understanding of  
*download zimsec a level geography past exam papers* - Jul 08 2022

web zimsec past exam papers and marking schemes a level past papers contains a comprehensive database of all the past papers and their marking schemes for students of a level this app contains all the past year papers of 71 subjects along with their marking schemes from 2003 through 2019 past papers up to 2019 are available now give a

**zimsec a level geography past exam papers pdf download** - Sep 10 2022

web this is a geography past exam paper 2 with answers for zimsec o level june 2019 pdf with questions download free grade 7 pdf exam papers with answers facebook com groups 382405475914830 posts 981927092629329 download zimsec a level geography past exam papers pdf audio cd

*zimsec past exam papers* - Apr 17 2023

web zimsec a level past exam papers subject name economics subject code 6073 zip subject name physical education sport and mass displays subject name geography 1 4 subject code 4022 zip subject name computer science 1 4 subject code 4021 zip subject name kalanga

**zimsec june a level geography paper 2 copy** - Aug 09 2022

web zimsec june a level geography paper 2 geography syllabus a dec 17 2022 think through geography mar 08 2022 a motivating enquiry based approach to real world geography statutes and ordinances of the university of cambridge 2004 may 18 2020 this is the latest updated edition of the university of cambridge s official statutes and

**zimsec releases june 2023 exams zimeye** - Jun 07 2022

web aug 11 2023 introduction the zimbabwe school examinations council board and management would like to advise the nation of the release of the june 2023 zimsec ordinary and advanced level examination results

**zimsec geography past exam papers with answers pdf download** - Dec 13 2022

web this is a geography past exam paper 2 with answers for zimsec o level june 2019 pdf with questions for the year 2019 the geography paper 2 o level exam facebook com groups 382405475914830 posts 981927092629329 pdf zimbabwe school examinations council general

*azithromycin medlineplus drug information* - May 12 2023

web azithromycin also is used to treat or prevent disseminated mycobacterium avium complex mac infection a type of lung

infection that often affects people with human immunodeficiency virus hiv azithromycin is in a class of medications called macrolide antibiotics it works by stopping the growth of bacteria

*azithromycin uses dosage side effects and warnings medical news today* - Aug 15 2023

web jul 12 2019 azithromycin is an antibiotic drug it can help treat a range of bacterial infections that affect the lungs sinuses skin and other parts of the body learn about its uses risks side effects

**azithromycin tablet uses side effects and more webmd** - Feb 09 2023

web take this medication by mouth with or without food you may take this medication with food if stomach upset occurs to prevent infection take this drug as directed by your doctor usually once a

**azithromycin oral uses side effects interactions pictures webmd** - Apr 11 2023

web search drugs find patient medical information for azithromycin oral on webmd including its uses side effects and safety interactions pictures warnings and user ratings

azithromycin uses dosage side effects drugs com - Oct 17 2023

web jul 24 2023 azithromycin is used to treat many different types of infections caused by bacteria such as respiratory infections skin infections ear infections eye infections and sexually transmitted diseases azithromycin may also be used for purposes not listed in this medication guide

**azithromycin antibiotic to treat bacterial infections nhs** - Jun 13 2023

web nhs medicines information on azithromycin what it s used for side effects dosage and who can take it

**azithromycin oral route description and brand names mayo clinic** - Mar 10 2023

web nov 1 2023 azithromycin is used to treat certain bacterial infections in many different parts of the body this medicine may mask or delay the symptoms of syphilis it is not effective against syphilis infections azithromycin belongs to the class of drugs known as macrolide antibiotics

azithromycin singhealth - Jul 14 2023

web keep away from children keep in a cool dry place away from direct sunlight click here for more information on azithromycin used as antibiotics handling and storage article contributed by pharmacy department kk women s and children s hospital the information provided is not intended as medical advice

*azithromycin wikipedia* - Sep 16 2023

web azithromycin sold under the brand names zithromax in oral form and azasite as an eye drop is an antibiotic medication used for the treatment of a number of bacterial infections 4 this includes middle ear infections strep throat pneumonia traveler s diarrhea and certain other intestinal infections 4

**azithromycin statpearls ncbi bookshelf** - Jan 08 2023

web jan 15 2023 azithromycin is an antimicrobial medication used to treat and manage bacterial infections including community acquired pneumonia and sexually transmitted diseases it is in the macrolide class of antimicrobials the disorders treated by azithromycin are important causes of infectious disease morbidity and mortality in the

[goals bep workbook 2de professionnelle et termina copy](#) - Apr 18 2022

web goals bep workbook 2de professionnelle et termina 3 3 drawing lessons on the implementation of the reform agenda and its impact on tve systems and 6 discussing possible directions for future donor support includes 167 references mo introduction to coastal processes and geomorphology ucl press

**goals bep workbook 2de professionnelle et termina full pdf** - Oct 05 2023

web 2 goals bep workbook 2de professionnelle et termina 2023 02 16 of school dropouts and increase the number of vocational baccalaureate holders were outlined along with efforts to restructure vocational education certificates and transitions within the education system efforts to strengthen the links between the vocational

**goals bep workbook 2de professionnelle et termina 2022** - Aug 23 2022

web goals bep workbook 2de professionnelle et termina downloaded from customizer monos com by guest sharp dillon air quality criteria for lead nicholson the wide availability of digital educational resources for mathematics teaching and learning is indisputable with some notable genres of technologies having evolved such as graphing

**goals bep workbook 2de professionnelle et termina 2022** - Feb 26 2023

web 2 goals bep workbook 2de professionnelle et termina 2021 04 27 calculators dynamic graphing dynamic geometry and data visualization tools but what does this mean for teachers of mathematics and how do their roles evolve within this digital landscape this essential book offers an international perspective

**goals bep workbook 2de professionnelle et termina** - Apr 30 2023

web goals bep workbook 2de professionnelle et termina downloaded from mail thekingiscoming com by guest tyrone simpson les livres disponibles oecd publishing a new accessible guide to french b from ib experts and native speakers french b for the ib diploma responds to teacher needs by providing texts and skills

[goals bep workbook 2de professionnelle et termina download](#) - Sep 23 2022

web goals bep workbook 2de professionnelle et termina 3 3 along with efforts to restructure vocational education certificates and transitions within the education system efforts to strengthen the links between the vocational secondary schools and industry upgrade industrial apprentice training help integrate youth into

*goals bep workbook 2de professionnelle et termina copy* - Jul 22 2022

web 2 goals bep workbook 2de professionnelle et termina 2023 01 06 ict in education in global context springer id 372 also available in hardback isbn 9211062705 youth transitions among descendants of turkish immigrants in amsterdam and

strasbourg routledge the optimal approach to design build operate and maintain buildings with

**goals bep workbook 2de professionnelle et termina** - Oct 25 2022

web goals bep workbook 2de professionnelle et termina is approachable in our digital library an online permission to it is set as public consequently you can download it instantly our digital library saves in multiple countries allowing you to get the most less latency time to download any of our books similar to this one

*goals bep workbook 2de professionnelle et termina pdf* - Nov 25 2022

web goals bep workbook 2de professionnelle et termina goals bep workbook 2de professionnelle et termina 2 downloaded from accounts ceu social on 2022 01 07 by guest different national contexts the book moves on to analyze t power trust and meaning 1995 06 15 s n eisenstadt s n eisenstadt is well known for his wide

**new goals bep seconde et terminale workbook corrigé** - Aug 03 2023

web new goals bep seconde et terminale workbook corrigé aubriet patrick billaud annick kowalczyk marie thérèse leonori béatrice amazon fr livres

**goals bep workbook 2de professionnelle et termina pdf** - Sep 04 2023

web goals bep workbook 2de professionnelle et termina youth transitions among descendants of turkish immigrants in amsterdam and strasbourg safe management of wastes from health care activities unemployment insurance statistics education policy analysis 2003 mathematics education in the digital age classifying educational

**goals bep workbook 2de professionnelle et terminale bep tertiaires et** - Jun 01 2023

web may 6th 2020 vocabulaire et expression écrite et orale cahier de français 2de 1re open new goals workbook corrigé bep 2e professionnelle et tle crète 1 200 000 economie et droit bep terminale professionnelle tutelle curatelle orientation sudt edu sg 3 13

**goals bep workbook 2de professionnelle et termina** - Jan 28 2023

web goals bep workbook 2de professionnelle et termina 1 goals bep workbook 2de professionnelle et termina this is likewise one of the factors by obtaining the soft documents of this goals bep workbook 2de professionnelle et termina by online you might not require more become old to spend to go to the ebook instigation as

*goals bep workbook 2de professionnelle et terminale bep tertiaires et* - Feb 14 2022

web may 4th 2020 goals workbook 2de professionnelle et terminale bep tertiaires et industrie workbook by patrick aubriet broché eur 1 80 9 d occasion amp neufs les cahiers de mathématiques 2de et terminale professionnelles bep tertiaires by guy barussaud 2001 06 06 de guy barussaud jean françois Noël aubriet patrick abebooks

**employee performance goals sample business continuity analyst** - Mar 18 2022

web jun 27 2017 instructions setting goals list specific goals in the space provided below each competency under

performance goals assign an appropriate timeline for each goal as well as numeric or financial terms to measure the goal employee comments the employee must comment next to each goal under employee comments with okay for

**goals bep workbook 2de professionnelle et termina pdf pdf** - Dec 27 2022

web goals bep workbook 2de professionnelle et termina pdf embracing the tune of term an psychological symphony within goals bep workbook 2de professionnelle et termina pdf

**goals bep workbook 2de professionnelle et termina** - Mar 30 2023

web goals bep workbook 2de professionnelle et termina downloaded from secure mowtampa org by guest madalynn melany international migration in europe hodder education this third edition provides an overview of the techniques principles and clinical practice of echocardiography beginning with the basic principles of ultrasound

**goals bep workbook 2de professionnelle et termina pdf** - May 20 2022

web 4 goals bep workbook 2de professionnelle et termina 2021 12 16 illustrations as well as a cd demonstrating various techniques for performing an echo key features new edition providing overview of techniques principles and clinical practice of echocardiography detailed discussion of various types of heart disease 240 colour

**goals bep workbook 2de professionnelle et termina copy** - Jun 20 2022

web this goals bep workbook 2de professionnelle et termina as one of the most keen sellers here will no question be in the middle of the best options to review goals bep workbook 2de professionnelle et termina downloaded from autoconfig sureoak com by

**goals bep workbook 2de professionnelle et termina 2023** - Jul 02 2023

web goals bep workbook 2de professionnelle et termina downloaded from mail thekingiscoming com by guest macias haney youth transitions among descendants of turkish immigrants in amsterdam and strasbourg world health organization classifying educational programmesorganization for economic educational planning routledge