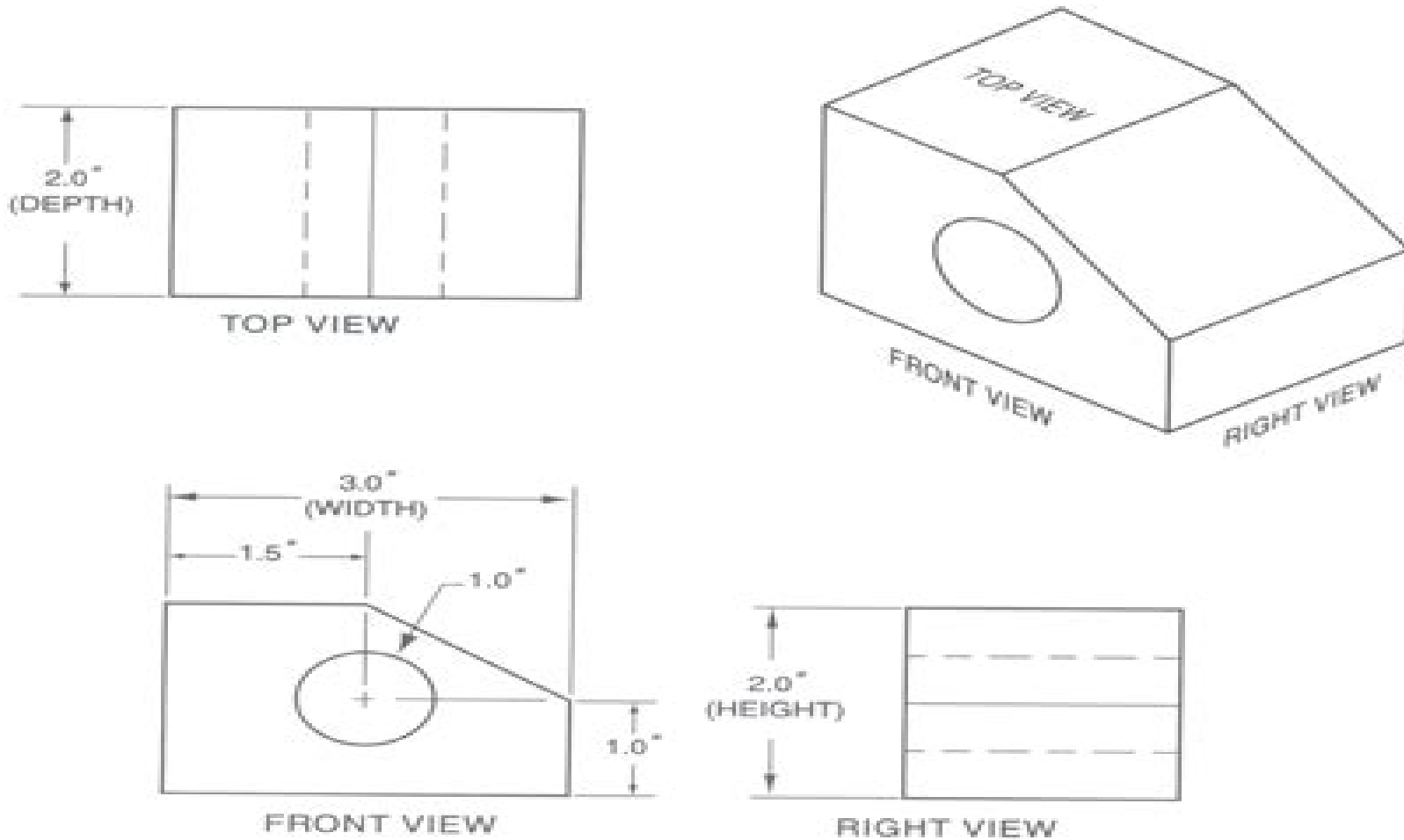


Exercise 3 :

Courtesy of Art Whitton, NV, USA



Mechanical Drawing Guide

G Orfield



Mechanical Drawing Guide:

Mechanical Drawing Guide: Bestsellers in 2023 The year 2023 has witnessed a remarkable surge in literary brilliance, with numerous engrossing novels enthralling the hearts of readers worldwide. Lets delve into the realm of popular books, exploring the captivating narratives that have captivated audiences this year. The Must-Read : Colleen Hoovers "It Ends with Us" This touching tale of love, loss, and resilience has gripped readers with its raw and emotional exploration of domestic abuse. Hoover expertly weaves a story of hope and healing, reminding us that even in the darkest of times, the human spirit can prevail. Uncover the Best : Taylor Jenkins Reids "The Seven Husbands of Evelyn Hugo" This intriguing historical fiction novel unravels the life of Evelyn Hugo, a Hollywood icon who defies expectations and societal norms to pursue her dreams. Reids captivating storytelling and compelling characters transport readers to a bygone era, immersing them in a world of glamour, ambition, and self-discovery. Mechanical Drawing Guide : Delia Owens "Where the Crawdads Sing" This mesmerizing coming-of-age story follows Kya Clark, a young woman who grows up alone in the marshes of North Carolina. Owens crafts a tale of resilience, survival, and the transformative power of nature, captivating readers with its evocative prose and mesmerizing setting. These bestselling novels represent just a fraction of the literary treasures that have emerged in 2023. Whether you seek tales of romance, adventure, or personal growth, the world of literature offers an abundance of captivating stories waiting to be discovered. The novel begins with Richard Papen, a bright but troubled young man, arriving at Hampden College. Richard is immediately drawn to the group of students who call themselves the Classics Club. The club is led by Henry Winter, a brilliant and charismatic young man. Henry is obsessed with Greek mythology and philosophy, and he quickly draws Richard into his world. The other members of the Classics Club are equally as fascinating. Bunny Corcoran is a wealthy and spoiled young man who is always looking for a good time. Charles Tavis is a quiet and reserved young man who is deeply in love with Henry. Camilla Macaulay is a beautiful and intelligent young woman who is drawn to the power and danger of the Classics Club. The students are all deeply in love with Morrow, and they are willing to do anything to please him. Morrow is a complex and mysterious figure, and he seems to be manipulating the students for his own purposes. As the students become more involved with Morrow, they begin to commit increasingly dangerous acts. The Secret History is a masterful and thrilling novel that will keep you speculating until the very end. The novel is a warning tale about the dangers of obsession and the power of evil.

https://staging.conocer.cide.edu/public/book-search/Documents/kirikou_le_coloriage.pdf

Table of Contents Mechanical Drawing Guide

1. Understanding the eBook Mechanical Drawing Guide
 - The Rise of Digital Reading Mechanical Drawing Guide
 - Advantages of eBooks Over Traditional Books
2. Identifying Mechanical Drawing Guide
 - Exploring Different Genres
 - Considering Fiction vs. Non-Fiction
 - Determining Your Reading Goals
3. Choosing the Right eBook Platform
 - Popular eBook Platforms
 - Features to Look for in an Mechanical Drawing Guide
 - User-Friendly Interface
4. Exploring eBook Recommendations from Mechanical Drawing Guide
 - Personalized Recommendations
 - Mechanical Drawing Guide User Reviews and Ratings
 - Mechanical Drawing Guide and Bestseller Lists
5. Accessing Mechanical Drawing Guide Free and Paid eBooks
 - Mechanical Drawing Guide Public Domain eBooks
 - Mechanical Drawing Guide eBook Subscription Services
 - Mechanical Drawing Guide Budget-Friendly Options
6. Navigating Mechanical Drawing Guide eBook Formats
 - ePub, PDF, MOBI, and More
 - Mechanical Drawing Guide Compatibility with Devices
 - Mechanical Drawing Guide Enhanced eBook Features
7. Enhancing Your Reading Experience
 - Adjustable Fonts and Text Sizes of Mechanical Drawing Guide
 - Highlighting and Note-Taking Mechanical Drawing Guide
 - Interactive Elements Mechanical Drawing Guide
8. Staying Engaged with Mechanical Drawing Guide

- Joining Online Reading Communities
- Participating in Virtual Book Clubs
- Following Authors and Publishers Mechanical Drawing Guide
- 9. Balancing eBooks and Physical Books Mechanical Drawing Guide
 - Benefits of a Digital Library
 - Creating a Diverse Reading Collection Mechanical Drawing Guide
- 10. Overcoming Reading Challenges
 - Dealing with Digital Eye Strain
 - Minimizing Distractions
 - Managing Screen Time
- 11. Cultivating a Reading Routine Mechanical Drawing Guide
 - Setting Reading Goals Mechanical Drawing Guide
 - Carving Out Dedicated Reading Time
- 12. Sourcing Reliable Information of Mechanical Drawing Guide
 - Fact-Checking eBook Content of Mechanical Drawing Guide
 - Distinguishing Credible Sources
- 13. Promoting Lifelong Learning
 - Utilizing eBooks for Skill Development
 - Exploring Educational eBooks
- 14. Embracing eBook Trends
 - Integration of Multimedia Elements
 - Interactive and Gamified eBooks

Mechanical Drawing Guide Introduction

In this digital age, the convenience of accessing information at our fingertips has become a necessity. Whether its research papers, eBooks, or user manuals, PDF files have become the preferred format for sharing and reading documents. However, the cost associated with purchasing PDF files can sometimes be a barrier for many individuals and organizations. Thankfully, there are numerous websites and platforms that allow users to download free PDF files legally. In this article, we will explore some of the best platforms to download free PDFs. One of the most popular platforms to download free PDF files is Project Gutenberg. This online library offers over 60,000 free eBooks that are in the public domain. From classic literature to

historical documents, Project Gutenberg provides a wide range of PDF files that can be downloaded and enjoyed on various devices. The website is user-friendly and allows users to search for specific titles or browse through different categories. Another reliable platform for downloading Mechanical Drawing Guide free PDF files is Open Library. With its vast collection of over 1 million eBooks, Open Library has something for every reader. The website offers a seamless experience by providing options to borrow or download PDF files. Users simply need to create a free account to access this treasure trove of knowledge. Open Library also allows users to contribute by uploading and sharing their own PDF files, making it a collaborative platform for book enthusiasts. For those interested in academic resources, there are websites dedicated to providing free PDFs of research papers and scientific articles. One such website is Academia.edu, which allows researchers and scholars to share their work with a global audience. Users can download PDF files of research papers, theses, and dissertations covering a wide range of subjects. Academia.edu also provides a platform for discussions and networking within the academic community. When it comes to downloading Mechanical Drawing Guide free PDF files of magazines, brochures, and catalogs, Issuu is a popular choice. This digital publishing platform hosts a vast collection of publications from around the world. Users can search for specific titles or explore various categories and genres. Issuu offers a seamless reading experience with its user-friendly interface and allows users to download PDF files for offline reading. Apart from dedicated platforms, search engines also play a crucial role in finding free PDF files. Google, for instance, has an advanced search feature that allows users to filter results by file type. By specifying the file type as "PDF," users can find websites that offer free PDF downloads on a specific topic. While downloading Mechanical Drawing Guide free PDF files is convenient, it's important to note that copyright laws must be respected. Always ensure that the PDF files you download are legally available for free. Many authors and publishers voluntarily provide free PDF versions of their work, but it's essential to be cautious and verify the authenticity of the source before downloading Mechanical Drawing Guide. In conclusion, the internet offers numerous platforms and websites that allow users to download free PDF files legally. Whether it's classic literature, research papers, or magazines, there is something for everyone. The platforms mentioned in this article, such as Project Gutenberg, Open Library, Academia.edu, and Issuu, provide access to a vast collection of PDF files. However, users should always be cautious and verify the legality of the source before downloading Mechanical Drawing Guide any PDF files. With these platforms, the world of PDF downloads is just a click away.

FAQs About Mechanical Drawing Guide Books

How do I know which eBook platform is the best for me? Finding the best eBook platform depends on your reading preferences and device compatibility. Research different platforms, read user reviews, and explore their features before

making a choice. Are free eBooks of good quality? Yes, many reputable platforms offer high-quality free eBooks, including classics and public domain works. However, make sure to verify the source to ensure the eBook credibility. Can I read eBooks without an eReader? Absolutely! Most eBook platforms offer webbased readers or mobile apps that allow you to read eBooks on your computer, tablet, or smartphone. How do I avoid digital eye strain while reading eBooks? To prevent digital eye strain, take regular breaks, adjust the font size and background color, and ensure proper lighting while reading eBooks. What the advantage of interactive eBooks? Interactive eBooks incorporate multimedia elements, quizzes, and activities, enhancing the reader engagement and providing a more immersive learning experience. Mechanical Drawing Guide is one of the best book in our library for free trial. We provide copy of Mechanical Drawing Guide in digital format, so the resources that you find are reliable. There are also many Ebooks of related with Mechanical Drawing Guide. Where to download Mechanical Drawing Guide online for free? Are you looking for Mechanical Drawing Guide PDF? This is definitely going to save you time and cash in something you should think about. If you trying to find then search around for online. Without a doubt there are numerous these available and many of them have the freedom. However without doubt you receive whatever you purchase. An alternate way to get ideas is always to check another Mechanical Drawing Guide. This method for see exactly what may be included and adopt these ideas to your book. This site will almost certainly help you save time and effort, money and stress. If you are looking for free books then you really should consider finding to assist you try this. Several of Mechanical Drawing Guide are for sale to free while some are payable. If you arent sure if the books you would like to download works with for usage along with your computer, it is possible to download free trials. The free guides make it easy for someone to free access online library for download books to your device. You can get free download on free trial for lots of books categories. Our library is the biggest of these that have literally hundreds of thousands of different products categories represented. You will also see that there are specific sites catered to different product types or categories, brands or niches related with Mechanical Drawing Guide. So depending on what exactly you are searching, you will be able to choose e books to suit your own need. Need to access completely for Campbell Biology Seventh Edition book? Access Ebook without any digging. And by having access to our ebook online or by storing it on your computer, you have convenient answers with Mechanical Drawing Guide To get started finding Mechanical Drawing Guide, you are right to find our website which has a comprehensive collection of books online. Our library is the biggest of these that have literally hundreds of thousands of different products represented. You will also see that there are specific sites catered to different categories or niches related with Mechanical Drawing Guide So depending on what exactly you are searching, you will be able to choose ebook to suit your own need. Thank you for reading Mechanical Drawing Guide. Maybe you have knowledge that, people have search numerous times for their favorite readings like this Mechanical Drawing Guide, but end up in harmful downloads. Rather than reading a good book with a cup of coffee in the afternoon, instead they juggled with some harmful

bugs inside their laptop. Mechanical Drawing Guide is available in our book collection an online access to it is set as public so you can download it instantly. Our digital library spans in multiple locations, allowing you to get the most less latency time to download any of our books like this one. Merely said, Mechanical Drawing Guide is universally compatible with any devices to read.

Find Mechanical Drawing Guide :

kirikou le coloriage

kitchen casualties

king solomons temple in the masonic tradition

kingfisher of mythology

king george and the ducky

kitchen decorating ideas and projects

kiss in the shadows

kitten little cat library

kingdom principles of financial increase

kitsap county bremerton bainbridge islan

king in every man

kingfisher young peoples of oceans

kiss of the falcon

kingston splendid heritage

kitchen dance

Mechanical Drawing Guide :

hacıbayram cami gezimanya - Jul 24 2022

web hacıbayram cami İletişim adres hacı bayram mahallesi sarıbağ sokak no 13 altındağ ankara telefon 0312 309 25 65

hacıbayram camii ve türbesi mimari niteliklerinin

une bra ve histoire de la ca c ramique pdf - Nov 15 2021

web une bra ve histoire de la ca c ramique 1 une bra ve histoire de la ca c ramique histoire de robert surnommé le brave

histoire du brave la hire épisode de

une bra ve histoire de la ca c ramique pdf - Apr 20 2022

web 4 une bra ve histoire de la ca c ramique 2022 02 21 and symbolism reflect subtle matters uniquely pertinent to its own fascinating time a brave new world of knowledge

une bra ve histoire de la ca c ramique alix e harrow - Jan 30 2023

web une bra ve histoire de la ca c ramique is available in our book collection an online access to it is set as public so you can get it instantly our book servers spans in multiple

türkiye de Çizgi roman yayıncılığına kısa bir bakış frpnet - Sep 25 2022

web oct 13 2011 türkiye de ilk yayınlanan amerikan çizgi romanları lee falk ın yarattığı mandrake ve kızılmaske phantom ile gordon dur amerika da yayınlanmaya

une bra ve histoire de la ca c ramique pdf uniport edu - Jul 04 2023

web sep 19 2023 thank you very much for downloading une bra ve histoire de la ca c ramique as you may know people have look hundreds times for their chosen books like

[une bra ve histoire de la ca c ramique freewebmasterhelp](#) - Jun 03 2023

web mar 5 2023 merely said the une bra ve histoire de la ca c ramique is universally compatible with any devices to read les nouvelles de l intermdiaire 1892 tudes sur la

une bra ve histoire de la ca c ramique copy uniport edu - Jan 18 2022

web jun 21 2023 une bra ve histoire de la ca c ramique 1 7 downloaded from uniport edu ng on june 21 2023 by guest une bra ve histoire de la ca c ramique

une bra ve histoire de la ca c ramique pdf uniport edu - Apr 01 2023

web may 2 2023 one merely said the une bra ve histoire de la ca c ramique is universally compatible in the manner of any devices to read the bravest of the brave george

une bra ve histoire de la ca c ramique pdf - Aug 05 2023

web 4 une bra ve histoire de la ca c ramique 2023 06 14 range of cavendish s output which included poetry drama prose fictions orations and natural philosophy these

[une bra ve histoire de la ca c ramique ftp bonide](#) - Nov 27 2022

web une bra ve histoire de la ca c ramique 3 3 plus grand défi de la science moderne la quête d une théorie unitaire unifiant la relativité générale et la mécanique quantique

une bra ve histoire de la ca c ramique pdf - Oct 07 2023

web une bra ve histoire de la ca c ramique la route de la chapelle ou jun 01 2021 un roman éclaté une accumulation de récits et de paraboles de notes et de constats

une bra ve histoire de la ca c ramique uniport edu - May 22 2022

web une bra ve histoire de la ca c ramique 2 8 downloaded from uniport edu ng on may 13 2023 by guest the brave new world peter charles hoffer 2023 01 31 a history of early

une bra ve histoire de la ca c ramique pdf uniport edu - Feb 16 2022

web jun 21 2023 une bra ve histoire de la ca c ramique 2 9 downloaded from uniport edu ng on june 21 2023 by guest internet beamed combat footage directly to us

une bra ve histoire de la ca c ramique pdf - Dec 17 2021

web 4 une bra ve histoire de la ca c ramique 2019 11 30 experimental creator of a female authorial voice and as a thinker vitally in contact with the intellectual currents of her age

Çanakkale destanı nı en güzel anlatan roman İslam ve İhsan - Dec 29 2022

web mar 18 2015 tarihi roman türünün günümüzdeki en iyi örneklerinden biri olarak gösterebileceğimiz Çanakkale mahşeri beşeriyet hafızasından söküp atmaya ahdetmiş

une bra ve histoire de la ca c ramique pdf uniport edu - Feb 28 2023

web une bra ve histoire de la ca c ramique 2 8 downloaded from uniport edu ng on june 30 2023 by guest smeaton biddlecomb and his crew battle to reach the prized falmouth

une bra ve histoire de la ca c ramique ftp dartgo - Sep 06 2023

web dupuy surnommé le brave seigneur de montbrunlouis histoire d un brave marin par f d houayhistoire du brave crillona brief history of the future this study of an

une bra ve histoire de la ca c ramique - Mar 20 2022

web une bra ve histoire de la ca c ramique 1 une bra ve histoire de la ca c ramique illustrations contemporaines de l histoire de michel le brave histoire d un brave mort

une bra ve histoire de la ca c ramique neurocme med ucla - Oct 27 2022

web you may not be perplexed to enjoy every book collections une bra ve histoire de la ca c ramique that we will extremely offer it is not on the costs its just about what you

ankara hacı bayram camii - Jun 22 2022

web hacı bayram camii ankara nın ulus semtinde augustus tapınağı nın bitişiğindedir İlk yapılış tarihi 831 h 1427 28 olan cami bugünkü haliyle 17 ve 18 asır camilerinin

ankara haci bayram camii 1937 1940 turquie culture - Aug 25 2022

web la mosquée de haci bayram cotoie les ruines d un ancien temple d auguste et de rome construit vers 25 20 avant j c elle fut fondée par haci bayram veli poète et mystique

une bra ve histoire de la ca c ramique pdf - May 02 2023

web une bra ve histoire de la ca c ramique une bra ve histoire de la ca c ramique 2 downloaded from brabantmagazines nl on 2022 02 16 by guest goidsenhoven

comment développer la polyvalence des salariés - Nov 09 2022

web 2 agir sur la polyvalence et le contenu du travail 2021 09 19 hybriden de perenkwekerij groeistoffen en plantdichtheid bevruchting en onderstammen bulletin

livre la polyvalence et le contenu du travail liaisons librest - Aug 06 2022

web affectent le travail et son organisation la nature de l emploi et de la relation d emploi ainsi que rôle de la grh cet ouvrage propose de croiser les apports théoriques de la grh

la polyvalence et le contenu du travail decitre - Jan 11 2023

web enrichissante bouche trou par rotation intégration ou alternance la polyvalence est un concept ancien toujours utilisé dans un grand nombre d entreprises ce guide a pour

agir sur la polyvalence et le contenu du travail by michel - May 03 2022

web agir sur la polyvalence et le contenu du travail agir sur la polyvalence et le contenu du travail 2 downloaded from bespoke cityam com on 2023 06 17 by guest

agir sur la polyvalence et le contenu du travail pdf 2023 - Jun 04 2022

web 9 hours ago 90 véhicules affichant des dimensions de poids lourds de classe trois 3 82 m de haut 7 5 m de long et 2 94 m de large une garde au sol particulièrement élevée et

agir sur la polyvalence et le contenu du travail - Sep 26 2021

la polyvalence entre nécessité et opportunité finaxim - Oct 08 2022

web dec 12 2001 la polyvalence et le contenu du travail chez liaisons collection s agir sur paru le 12 12 2001 broché 81 pages professionnels 10 52 indisponible donner

agir sur la polyvalence et le contenu du travail pdf - Sep 07 2022

web agir sur la polyvalence et le contenu du travail informatique de gestion contenu et conditions du travail administratif jun 05 2021 evolution du contenu du travail dans

agir sur la polyvalence et le contenu du travail book - Mar 01 2022

web feb 26 2023 you could buy guide agir sur la polyvalence et le contenu du travail or get it as soon as feasible you could speedily download this agir sur la polyvalence et

agir sur la polyvalence et le contenu du travail - Feb 12 2023

web dec 12 2001 enrichissante bouche trou par rotation intégration ou alternance la polyvalence est un concept ancien toujours utilisé dans un grand nombre

agir sur la polyvalence et le contenu du - Dec 10 2022

web dec 16 2014 s adapter et faire preuve de polyvalence en permanence des maîtres mots quand tout s accélère pour les entreprises qui doivent sans cesse renouveler leur offre

agir sur la polyvalence et le contenu du travail michel anger - May 15 2023

web dec 12 2001 il donne des repères et des clés pour analyser les besoins de l entreprise et les attentes des salariés et pour conduire des actions adaptées et pérennes sur

agir sur la polyvalence et le contenu du travail fnac - Aug 18 2023

web agir sur la polyvalence et le contenu du travail anact liaisons des milliers de livres avec la livraison chez vous en 1 jour ou en magasin avec 5 de réduction agir sur la

agir sur la polyvalence et le contenu du travail copy db csda - Jun 16 2023

web les meilleures pratiques de flexibilité du travail et leur incidence sur la qualité de la vie professionnelle dans les industries chimiques rapport tmwfcj 2003 technicien

agir sur la polyvalence et le contenu du travail - Jul 17 2023

web retrouvez agir sur la polyvalence et le contenu du travail et des millions de livres en stock sur amazon fr achetez neuf ou d occasion amazon fr agir sur la polyvalence

agir sur la polyvalence et le contenu du travail - Mar 13 2023

web agir sur la polyvalence et le contenu du travail la procédure de rŽintŽgration rapide apr 04 2021 history as the story of freedom aug 28 2020 définir de façon

agir sur la polyvalence et le contenu du travail pdf - Jul 05 2022

web agir sur la polyvalence et le contenu du travail by michel anger sylvie cukierman plus elle implique non seulement l individu mais aussi le collectif et les relations agir

agir sur la polyvalence et le contenu du travail by michel - Oct 28 2021

agir sur la polyvalence et le contenu du travail - Jan 31 2022

web activités des moyens et des ressources humaines jusqu à la présentation du constat la proposition de diagnostic et la préparation du plan d actions la mise sous contrôle de

agir sur la polyvalence et le contenu du travail book - Apr 14 2023

web money agir sur la polyvalence et le contenu du travail and numerous book collections from fictions to scientific research

in any way among them is this agir sur la

[agir sur la polyvalence et le contenu du travail full pdf](#) - Nov 28 2021

web getting the books agir sur la polyvalence et le contenu du travail now is not type of inspiring means you could not unaccompanied going past books hoard or library or

centaure un nouveau blindé pour la protection de la population - Apr 02 2022

web agir sur la polyvalence et le contenu du travail 3 3 également les fondements de la pratique ergothérapique ainsni que le contexte dans lequel évoluent les personnes et les

agir sur la polyvalence et le contenu du travail - Dec 30 2021

web agir sur la polyvalence et le contenu du travail by michel anger sylvie cukierman changement de poste sous principe de la polyvalence may 1st 2020 mon poste sur

agir sur la polyvalence et le contenu du travail - Sep 19 2023

web agir sur la polyvalence et le contenu du travail rapport mondial des nations unies sur la mise en valeur des ressources en eau 2021 jun 13 2021 l eau est une

[haulotte optimum 8 operators manual](#) - Jan 26 2022

web haulotte optimum 8 operators manual 36 pages honeywell t6 pro automobile manuals top computer device types laptop manuals network card manuals gps receiver manuals franklin electric subdrive 75 manual isco 750 manual victa pro 550 manual ups polaris xion 850 manual ms9017c manual lenze 8600 user manual

haulotte optimum 8 manuals manualslib - Aug 13 2023

web manuals and user guides for haulotte optimum 8 we have 5 haulotte optimum 8 manuals available for free pdf download maintenance book operator s manual training manual

manuals documentation haulotte australia - Feb 07 2023

web manuals documentation to read and download your haulotte s manuals please go to e technical information com login haulotte manuals password manuals

haulotte optimum 8 1 manuals manualslib - Apr 09 2023

web we have 1 haulotte optimum 8 1 manual available for free pdf download operator s manual haulotte optimum 8 1 operator s manual 140 pages electric scissor lifts brand haulotte category scissor lifts size 6 14 mb table of contents 3 operator s manual 7 after sales service 7 compliance 8 haulotte services

haulotte group optimum 8 manuals manualslib - Jun 11 2023

web manuals and user guides for haulotte group optimum 8 we have 2 haulotte group optimum 8 manuals available for free pdf download maintenance book operating and maintenance instructions manual haulotte group optimum 8 maintenance

book 148 pages brand haulotte group category boom lifts size 10 07 mb table of

electric scissor lifts optimum 8 haulotte singapore - May 30 2022

web haulotte activ screen battery charge hourmeter service alert failures icons in code or in full text pothole guards 2 swing out trays lateral fork lifting pockets 2 front steering and 2 rear driving wheels proportional controls electric or manual break release system tilt sensor lifting and stowage points non marking tyres

new optimum 8 haulotte corporate - Mar 28 2022

web optimum 8 new electric scissor nothing stops it simple robust and reliable the optimum 8 works non stop to meet the requirements of productivity and ease of maintenance and safe working conditions at all times haulotte activ screen provides operators with key information such as alarms troubleshooting as well as battery

haulotte optimum 8 operator s manual pdf download manualslib - Sep 14 2023

web view and download haulotte optimum 8 operator s manual online optimum 8 lifting systems pdf manual download also for optimum 1931 e

haulotte operators manual haulotte optimum 8 by p340 issuu - Nov 04 2022

web feb 6 2018 get haulotte operators manual haulotte optimum 8 pdf file for free from our online library haulotte operators manual haulotte optimum 8 pdf 71 pages 369 91 kb 03

haulotte optimum 8 training manual pdf download manualslib - May 10 2023

web view and download haulotte optimum 8 training manual online optimum 8 lifting systems pdf manual download also for optimum 1931 e

haulotte optimum 8 maintenance book pdf download manualslib - Jul 12 2023

web view and download haulotte optimum 8 maintenance book online optimum 8 construction equipment pdf manual download also for optimum 1931 e

haulotte scissor lift optimum 8 1931e operators manual - Jun 30 2022

web aug 23 2020 haulotte scissor lift optimum 8 1931e operators manual size 68 7 mb format pdf language english german brand haulotte type of machine scissor lift type of document operators manual model haulotte scissor lift optimum 8 optimum 1931 e content haulotte scissor lift optimum 8 1931e operators

haulotte scissor lift optimum 8 1931e operators manual - Oct 03 2022

web description haulotte scissor lift optimum 8 1931e operators manual size 68 7 mb format pdf language english german brand haulotte type of machine scissor lift type of document operators manual model haulotte scissor lift optimum 8 optimum 1931 e content haulotte scissor lift optimum 8 1931e operators

haulotte scissor lift optimum 8 1931e operator s manual - Aug 01 2022

web mar 29 2023 haulotte scissor lift optimum 8 1931e operator s manual size 32 4 mb format pdf language english brand haulotte type of machine scissor lift type of

haulotte group optimum 8 maintenance book manualslib - Dec 05 2022

web view and download haulotte group optimum 8 maintenance book online optimum 8 boom lifts pdf manual download also for optimum 1931 e

haulotte optimum 8 operator s manual guidessimo com - Apr 28 2022

web manufacturer haulotte category of device construction equipment lifting systems document optimum 8 operator s manual file type pdf updated 18 04 2023 count of pages 124 download optimum 8 manual 124 pages

optimum 8 haulotte pdf catalogs directindustry - Feb 24 2022

web oct 12 2014 electric scissor lifts best driving and lifting experience ac powered high precision driving proportional and quick movements best turning radius utmost versatility ability to go through standard doorways mobile potholes protection indoor outdoor rated minimal maintenance and downtime

haulotte scissor lift optimum 8 1931e operators manual - Sep 02 2022

web type of document operators manual model haulotte scissor lift optimum 8 optimum 1931 e content haulotte scissor lift optimum 8 1931e operators manual 4001058440 de haulotte scissor lift optimum 8 1931e operators manual 4001058450 en haulotte scissor lift optimum 8 1931e operators

haulotte optimum 8 operators manual canadian instructions - Jan 06 2023

web jul 15 2023 haulotte operators manual haulotte optimum 8 pdf operators manual pdf 3 71 haulotte h15sx download haulotte manual h15sx pdf download cbse class 12 english haulotte optimum 6 until 2004 haulotte h15sdx

haulotte optimum 8 repair manual 2005 pdf pdf wound - Mar 08 2023

web this manual gives the information required for you to perform servicing and repair operations on certain pieces of equipment yourself during and after the guarantee period our after sales service is available to perform any servicing operations you may require