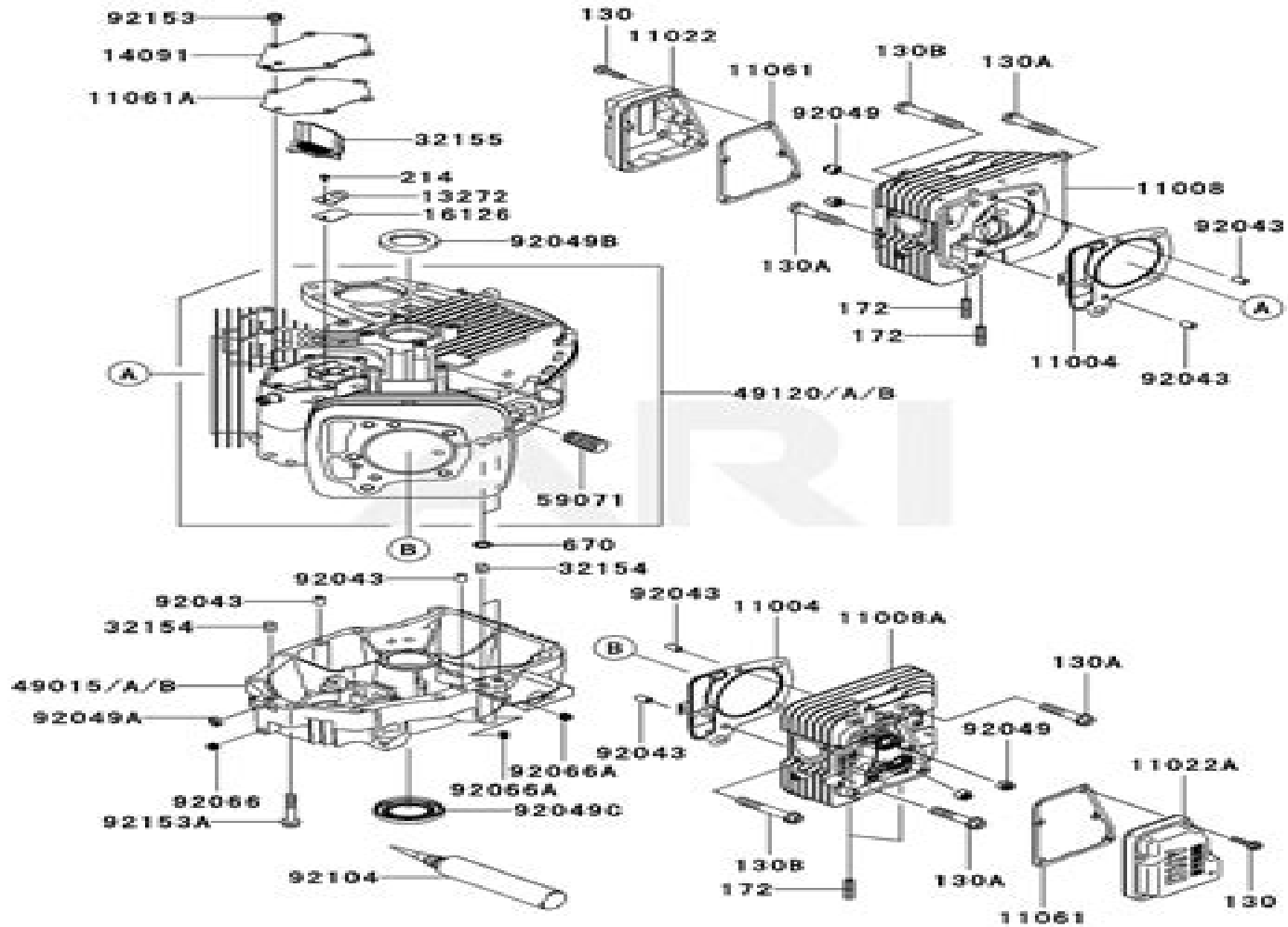


E0110-A652G



# Kawasaki 23 Hp Engine Service Manual

**Robert R. Redfield**



## **Kawasaki 23 Hp Engine Service Manual:**

**Japanese Aircraft Manual** United States. Navy Department. Office of the Chief of Naval Operations,1943 **Road and Track** ,1974 **Popular Mechanics** ,1990-04 Popular Mechanics inspires instructs and influences readers to help them master the modern world Whether it s practical DIY home improvement tips gadgets and digital technology information on the newest cars or the latest breakthroughs in science PM is the ultimate guide to our high tech lifestyle Small Gas Engine Repair, Fourth Edition Paul Dempsey,2017-05-26 Publisher s Note Products purchased from Third Party sellers are not guaranteed by the publisher for quality authenticity or access to any online entitlements included with the product Save money by performing your own small engine maintenance and repair jobs Fully updated to reflect the latest technologies this best selling guide shows how to troubleshoot and repair the engines found in household devices including lawnmowers garden tractors portable generators and handheld tools Written by a master mechanic Small Gas Engine Repair Fourth Edition provides easy to follow fully illustrated instructions for complicated diagnostic and repair procedures The book suggests money saving alternatives to expensive factory tools and overpriced replacement parts You will gain access to valuable Internet resources as well as shortcuts field fixes and other tricks of the trade that working mechanics use on the job You ll find coverage of Basics Troubleshooting Ignition and related systems Fuel systems Rewind starters Electrical systems Engine mechanical Two and four cycle engines Diaphragm carburetors Electronic fuel injection And much more

**Popular Science** ,1990-03 Popular Science gives our readers the information and tools to improve their technology and their world The core belief that Popular Science and our readers share The future is going to be better and science and technology are the driving forces that will help make it better *Car and Driver* ,1973 **Directions** ,1980 **School Shop** ,1979 Popular Science ,1991-04 Popular Science gives our readers the information and tools to improve their technology and their world The core belief that Popular Science and our readers share The future is going to be better and science and technology are the driving forces that will help make it better **Popular Science** ,1990 Paperbound Books in Print ,1975 **American Book Publishing Record** ,1998 *Subject Guide to Children's Books in Print 1997* Bowker Editorial Staff,R R Bowker Publishing,1996-09 *Cars & Parts* ,1980 Subject Guide to Books in Print ,1971

**Constructor** ,1990 **Aerosphere** ,1939 *Hot Rod* ,1972 *Air Force Magazine* ,1986-07 **The Machinist** ,1976-05

Thank you for reading **Kawasaki 23 Hp Engine Service Manual**. As you may know, people have search hundreds times for their favorite novels like this Kawasaki 23 Hp Engine Service Manual, but end up in harmful downloads. Rather than reading a good book with a cup of coffee in the afternoon, instead they are facing with some harmful bugs inside their computer.

Kawasaki 23 Hp Engine Service Manual is available in our book collection an online access to it is set as public so you can download it instantly.

Our books collection spans in multiple countries, allowing you to get the most less latency time to download any of our books like this one.

Merely said, the Kawasaki 23 Hp Engine Service Manual is universally compatible with any devices to read

[https://staging.conocer.cide.edu/results/scholarship/Download\\_PDFS/Iniciacao%20Aos%20Tarots.pdf](https://staging.conocer.cide.edu/results/scholarship/Download_PDFS/Iniciacao%20Aos%20Tarots.pdf)

## **Table of Contents Kawasaki 23 Hp Engine Service Manual**

1. Understanding the eBook Kawasaki 23 Hp Engine Service Manual
  - The Rise of Digital Reading Kawasaki 23 Hp Engine Service Manual
  - Advantages of eBooks Over Traditional Books
2. Identifying Kawasaki 23 Hp Engine Service Manual
  - Exploring Different Genres
  - Considering Fiction vs. Non-Fiction
  - Determining Your Reading Goals
3. Choosing the Right eBook Platform
  - Popular eBook Platforms
  - Features to Look for in an Kawasaki 23 Hp Engine Service Manual
  - User-Friendly Interface
4. Exploring eBook Recommendations from Kawasaki 23 Hp Engine Service Manual
  - Personalized Recommendations

- Kawasaki 23 Hp Engine Service Manual User Reviews and Ratings
- Kawasaki 23 Hp Engine Service Manual and Bestseller Lists
- 5. Accessing Kawasaki 23 Hp Engine Service Manual Free and Paid eBooks
  - Kawasaki 23 Hp Engine Service Manual Public Domain eBooks
  - Kawasaki 23 Hp Engine Service Manual eBook Subscription Services
  - Kawasaki 23 Hp Engine Service Manual Budget-Friendly Options
- 6. Navigating Kawasaki 23 Hp Engine Service Manual eBook Formats
  - ePub, PDF, MOBI, and More
  - Kawasaki 23 Hp Engine Service Manual Compatibility with Devices
  - Kawasaki 23 Hp Engine Service Manual Enhanced eBook Features
- 7. Enhancing Your Reading Experience
  - Adjustable Fonts and Text Sizes of Kawasaki 23 Hp Engine Service Manual
  - Highlighting and Note-Taking Kawasaki 23 Hp Engine Service Manual
  - Interactive Elements Kawasaki 23 Hp Engine Service Manual
- 8. Staying Engaged with Kawasaki 23 Hp Engine Service Manual
  - Joining Online Reading Communities
  - Participating in Virtual Book Clubs
  - Following Authors and Publishers Kawasaki 23 Hp Engine Service Manual
- 9. Balancing eBooks and Physical Books Kawasaki 23 Hp Engine Service Manual
  - Benefits of a Digital Library
  - Creating a Diverse Reading Collection Kawasaki 23 Hp Engine Service Manual
- 10. Overcoming Reading Challenges
  - Dealing with Digital Eye Strain
  - Minimizing Distractions
  - Managing Screen Time
- 11. Cultivating a Reading Routine Kawasaki 23 Hp Engine Service Manual
  - Setting Reading Goals Kawasaki 23 Hp Engine Service Manual
  - Carving Out Dedicated Reading Time
- 12. Sourcing Reliable Information of Kawasaki 23 Hp Engine Service Manual
  - Fact-Checking eBook Content of Kawasaki 23 Hp Engine Service Manual

- Distinguishing Credible Sources
- 13. Promoting Lifelong Learning
  - Utilizing eBooks for Skill Development
  - Exploring Educational eBooks
- 14. Embracing eBook Trends
  - Integration of Multimedia Elements
  - Interactive and Gamified eBooks

### **Kawasaki 23 Hp Engine Service Manual Introduction**

In this digital age, the convenience of accessing information at our fingertips has become a necessity. Whether its research papers, eBooks, or user manuals, PDF files have become the preferred format for sharing and reading documents. However, the cost associated with purchasing PDF files can sometimes be a barrier for many individuals and organizations. Thankfully, there are numerous websites and platforms that allow users to download free PDF files legally. In this article, we will explore some of the best platforms to download free PDFs. One of the most popular platforms to download free PDF files is Project Gutenberg. This online library offers over 60,000 free eBooks that are in the public domain. From classic literature to historical documents, Project Gutenberg provides a wide range of PDF files that can be downloaded and enjoyed on various devices. The website is user-friendly and allows users to search for specific titles or browse through different categories. Another reliable platform for downloading Kawasaki 23 Hp Engine Service Manual free PDF files is Open Library. With its vast collection of over 1 million eBooks, Open Library has something for every reader. The website offers a seamless experience by providing options to borrow or download PDF files. Users simply need to create a free account to access this treasure trove of knowledge. Open Library also allows users to contribute by uploading and sharing their own PDF files, making it a collaborative platform for book enthusiasts. For those interested in academic resources, there are websites dedicated to providing free PDFs of research papers and scientific articles. One such website is Academia.edu, which allows researchers and scholars to share their work with a global audience. Users can download PDF files of research papers, theses, and dissertations covering a wide range of subjects. Academia.edu also provides a platform for discussions and networking within the academic community. When it comes to downloading Kawasaki 23 Hp Engine Service Manual free PDF files of magazines, brochures, and catalogs, Issuu is a popular choice. This digital publishing platform hosts a vast collection of publications from around the world. Users can search for specific titles or explore various categories and genres. Issuu offers a seamless reading experience with its user-friendly interface and allows users to download PDF files for offline reading. Apart from dedicated platforms, search engines also play a crucial role in finding free PDF files. Google, for

instance, has an advanced search feature that allows users to filter results by file type. By specifying the file type as "PDF," users can find websites that offer free PDF downloads on a specific topic. While downloading Kawasaki 23 Hp Engine Service Manual free PDF files is convenient, it's important to note that copyright laws must be respected. Always ensure that the PDF files you download are legally available for free. Many authors and publishers voluntarily provide free PDF versions of their work, but it's essential to be cautious and verify the authenticity of the source before downloading Kawasaki 23 Hp Engine Service Manual. In conclusion, the internet offers numerous platforms and websites that allow users to download free PDF files legally. Whether it's classic literature, research papers, or magazines, there is something for everyone. The platforms mentioned in this article, such as Project Gutenberg, Open Library, Academia.edu, and Issuu, provide access to a vast collection of PDF files. However, users should always be cautious and verify the legality of the source before downloading Kawasaki 23 Hp Engine Service Manual any PDF files. With these platforms, the world of PDF downloads is just a click away.

### **FAQs About Kawasaki 23 Hp Engine Service Manual Books**

**What is a Kawasaki 23 Hp Engine Service Manual PDF?** A PDF (Portable Document Format) is a file format developed by Adobe that preserves the layout and formatting of a document, regardless of the software, hardware, or operating system used to view or print it. **How do I create a Kawasaki 23 Hp Engine Service Manual PDF?** There are several ways to create a PDF: Use software like Adobe Acrobat, Microsoft Word, or Google Docs, which often have built-in PDF creation tools. Print to PDF: Many applications and operating systems have a "Print to PDF" option that allows you to save a document as a PDF file instead of printing it on paper. Online converters: There are various online tools that can convert different file types to PDF. **How do I edit a Kawasaki 23 Hp Engine Service Manual PDF?** Editing a PDF can be done with software like Adobe Acrobat, which allows direct editing of text, images, and other elements within the PDF. Some free tools, like PDFescape or Smallpdf, also offer basic editing capabilities. **How do I convert a Kawasaki 23 Hp Engine Service Manual PDF to another file format?** There are multiple ways to convert a PDF to another format: Use online converters like Smallpdf, Zamzar, or Adobe Acrobat's export feature to convert PDFs to formats like Word, Excel, JPEG, etc. Software like Adobe Acrobat, Microsoft Word, or other PDF editors may have options to export or save PDFs in different formats. **How do I password-protect a Kawasaki 23 Hp Engine Service Manual PDF?** Most PDF editing software allows you to add password protection. In Adobe Acrobat, for instance, you can go to "File" -> "Properties" -> "Security" to set a password to restrict access or editing capabilities. Are there any free alternatives to Adobe Acrobat for working with PDFs? Yes, there are many free alternatives for working with PDFs, such as: LibreOffice: Offers PDF editing features. PDFsam: Allows splitting, merging, and editing PDFs. Foxit Reader: Provides basic PDF viewing and editing capabilities. How do I compress a PDF file?

You can use online tools like Smallpdf, ILovePDF, or desktop software like Adobe Acrobat to compress PDF files without significant quality loss. Compression reduces the file size, making it easier to share and download. Can I fill out forms in a PDF file? Yes, most PDF viewers/editors like Adobe Acrobat, Preview (on Mac), or various online tools allow you to fill out forms in PDF files by selecting text fields and entering information. Are there any restrictions when working with PDFs? Some PDFs might have restrictions set by their creator, such as password protection, editing restrictions, or print restrictions. Breaking these restrictions might require specific software or tools, which may or may not be legal depending on the circumstances and local laws.

### **Find Kawasaki 23 Hp Engine Service Manual :**

[iniciacao aos tarots](#)

*initiation of the master*

**innovative applications of artificial intelligence 3 proceedings of the iaai-91 conference**

[inorganic reaction mechanisms volume 4 specialist periodical report](#)

[ink in our soul](#)

**inside a curriculum project a case study in the process of curriculum change**

**inside out advanced resource pk**

**inside stalins gulag**

~~inside macintosh quickdraw gx printing extensions and drivers~~

*inside the clinical picture*

[inner beauty](#)

**innocent surrender**

[inside putins russia can there be reform without democracy](#)

~~innocence the true story of steve linscott~~

[ink paper metal wood](#)

### **Kawasaki 23 Hp Engine Service Manual :**

**comparison with carrier hap trane trace and loadsoft - Jan 30 2022**

**hap e help 006 ventilation in hap carrier - Sep 06 2022**



web jan 2 2023 it utilises the ashrae heat balance load calculation method to represent building physics more accurately a global weather library including 7 400 stations is

**transfer function methodology tfm carrier** - Mar 12 2023

web nov 21 2022 key new features in hap v6 for over 30 years carrier hap has remained one of the most popular user friendly building load calculation and energy modeling programs in the

*hap v6 powerful building load calculation and energy youtube* - Jan 10 2023

web dec 7 2022 hap v6 offers many technical upgrades to reduce what used to take a few days of labor to a couple hours of engineering time for building model creation it

**load calculation for commercial buildings ssn 001** - Jul 16 2023

the program is a powerful tool for designing systems and sizing system components hap can easily handle projects involving 1 small to large commercial see more

**load calculation for commercial buildings utilizing legacy** - Dec 29 2021

**carrier hap software softwares hvac r solar** - Jul 04 2022

web oct 10 2016 this project is developed to find the best way to apply the concept of hvac system design in erbil polytechnic university refrigeration and air conditioning

hvac system design software carrier commercial - Sep 18 2023

carrier s hourly analysis program is two powerful tools in one package versatile features for designing hvac systems for commercial buildings and powerful see more

**block load carrier commercial systems north america** - Jun 15 2023

web introduction of heat balance load calculation methodology more detailed representation of building physics greater accuracy across a wider range of applications use of us doe

**hourly analysis program hap hvac system design carrier** - Nov 27 2021

*carrier hap program and heating calculations eng tips* - May 02 2022

web there is one instance where design master is different from an existing load calculation program some glass loads calculated by design master and carrier hap are different

*latest carrier hourly analysis program version* - May 14 2023

web software systems carrier utc com page 1 of 9 software systems technical support 1 800 253 1794 can be found in the ashrae fundamentals handbook and in the hap help

[download hvac system design software carrier](#) - Aug 17 2023

hap is designed for consulting engineers design build contractors hvac contractors facility engineers and other professionals involved in the design and see more

[carrier hap systems design report pdf hvac air](#) - Aug 05 2022

web feb 5 2010 25 jan 10 15 22 i m trying to model a system with an air source heat pump as the heating source and am getting some results i can t make sense of the program

[pdf comparison between hand calculation and hap programs](#) - Apr 01 2022

web load calculation for commercial buildings utilizing legacy hap v5 11 ssn v 001 this class is for consulting engineers and others performing building load calculations the

[hourly analysis program 6 00 new features guide](#) - Apr 13 2023

web hap uses the ashrae endorsed transfer function method for load calculations and detailed 8 760 hour by hour simulation techniques for the energy analysis this program

[carrier s hap v6 a major upgrade to hvac system design software](#) - Jun 03 2022

web jul 24 2018 7 24 2018 02 41 00 pm carrier is pleased to announce the release of the latest version hap 5 1

[hourly analysis program carrier carrier commercial](#) - Oct 19 2023

hap is designed for consulting engineers design build contractors hvac contractors facility engineers and other professionals involved in the design and analysis of commercial building hvac systems the program is a powerful tool for designing systems and sizing system components as well as see more

[hap heat load calculation hvac online training youtube](#) - Nov 08 2022

web save save carrier hap systems design report for later 0 0 found this document useful mark this document as useful load calculation report naqqash sajid

**hap quick reference guide hvac simplified** - Feb 11 2023

web apr 9 2018 hvac training hap heat load calculation hvac online training hvac simplified 75 7k subscribers join subscribe 840 57k views 5 years ago

[hap v6 hvac system design software carrier corp](#) - Oct 07 2022

web hap uses a system based approach to design calculations which tailors sizing procedures and reports to the specific type of system being designed this offers productivity

[carrier releases hap v6 a major upgrade to hvac](#) - Dec 09 2022

web ashrae 62 calculation procedure needs to determine the critical ventilation zone in hap the zone is a values in the hap design load reports ventilation airflow control qb

**carrier hap 5 1 hourly analysis program mep work** - Feb 28 2022

web hap uses a system based approach to design calculations which tailors sizing procedures and reports to the specific type of system being designed this offers productivity

**kautschuk und elastomere tl 1 physikalische prüfverfahren by** - Jan 08 2023

web elastomerphysik dik deutsches institut für richtwerttabelle für kautschuk gummi und elastomere kautschuk und elastomere 1 physikalische prüfverfahren din iso 13226 2015 rubber standard reference pdf kautschuk und elastomere physikalische und kurse des modularen fortbildungssystems dik deutsches elastomere und kautschuk waters

**kautschuk und elastomere tl 1 physikalische prä fverfahren by** - Aug 15 2023

web may 2nd 2020 kautschuk und elastomere 1 physikalische pru fverfahren tab 131 kautschuk und elastomere 2 normen fu r chemische pru verfahren bodenbelage latex russ e und schaumstoffe tab 221 kohlenstoffmaterialien

kautschuk und elastomere tl 1 physikalische prüfverfahren by - Jul 14 2023

web april 29th 2020 kautschuk und elastomere 1 prüfnormen für physikalische prüfverfahren buch kautschuk und elastomere 1 physikalische prüfverfahren normen buch isbn 3410121102 kunststoffe tl 7 rohre rohrlleitungsteile und rohrrverbindungen aus duroplastischen buch isbn 3410122907

**kautschuk und elastomere tl 1 physikalische prufv pdf** - Aug 03 2022

web kautschuk und elastomere tl 1 physikalische prufv membrane technology and applications houben weyl methods of organic chemistry vol xiv 2 4th edition plaste und kautschuk analyse von kautschuken und elastomeren chemical analysis of additives in plastics rÖmpp lexikon chemie 10 auflage 1996 1999 basic rubber testing

kautschuk und elastomere tl 1 physikalische prüfverfahren by - Jun 13 2023

web kautschuk und elastomere tl 1 physikalische prüfverfahren by emulsionen mineralöle und mineralölprodukte tierische und pflanzliche öle benzin heizöl wasser bis ca 70 c luft bis 90 c butan propan

*kautschuk und elastomere tl 1 physikalische prüfverfahren by* - Oct 05 2022

web kautschuk und elastomere tl 1 physikalische prüfverfahren by eigenschaften die dichte von pe vld liegt zwischen 0 90 und 0 93 g cm 3 bei pe hd zwischen 0 94 und 0 97 g cm 3 die niedrige dichte der pe ld typen resultiert aus dem hohen anteil kurz und

kautschuk lexikon der chemie spektrum de - Mar 10 2023

web lexikon der chemie kautschuk kautschuk bezeichnung für die wichtigsten vertreter der elastomere ursprünglich bezeichnete man als k nur den naturkautschuk heute werden alle hochpolymeren stoffe die bei raumtemperatur amorph sind eine niedrige glastemperatur sowie eine weitmaschige vernetzung aufweisen und mit

kautschuk und elastomere tl 1 physikalische prüfverfahren by - Dec 27 2021

web gmbh kautschuk und elastomere 1 physikalische prüfverfahren tpe statt kautschuk in stopfen kgk rubberpoint de pdf gesichter afrikas kostenlos may 29th 2020 bwb tl 9150 0076 3ed 2008 lubricating oil gear ep iso vg 320 nato code none bundeswehr code oy1020 din

**kautschuk und elastomere tl 1 physikalische prüfverfahren by** - Apr 30 2022

web may 2 2023 kautschuk und elastomere tl 1 physikalische prüfverfahren by und elastomere physikalische und chemische prüfverfahren 2 auflage isbn 978 3 410 25047 0 das din taschenbuch 479 stellt die wichtigsten grundlagennormen sowie prüfnormen aus dem bereich der physikalischen und chemischen prüfverfahren für kautschuk und

*kautschuk und elastomere tl 1 physikalische prüfverfahren by* - Jun 01 2022

web zeigen oder nicht physikalische einwirkung siehe bild 1 da alle elastomere eine begrenzte löslichkeit mit fluiden haben wird der ver netzte kautschuk immer etwas vom umgebenen fluid in sich aufnehmen dn ie frage ist nur wie viel sind es weniger als 1 der gar über 100 dies allein o kautschuk und elastomere physikalische und chemische

**kautschuk und elastomere tl 1 physikalische prüfverfahren by** - Sep 04 2022

web retrieve this kautschuk und elastomere tl 1 physikalische prüfverfahren by after getting deal thermoplastische elastomere kürzel tpe gelegentlich auch elastoplaste genannt sind kunststoffe die sich bei raumtemperatur vergleichbar den klassischen elastomeren

**kautschuk und elastomere tl 1 physikalische prüfv pdf** - Jul 02 2022

web kautschuk und elastomere tl 1 physikalische prüfv 1 kautschuk und elastomere tl 1 physikalische prüfv rÖmpp lexikon chemie 10 auflage 1996 1999 chemisches zentralblatt advances in elastomers i beitrag zur entwicklung einer elastischen linse variabler brennweite für den einsatz in einem künstlichen akkommodationssystem

*kautschuk und elastomere tl 1 physikalische prüfverfahren by* - Jan 28 2022

web sep 10 2023 kautschuk und elastomere physikalische und chemische ean suchen barcode beginnt mit 9 783410 kautschuk und elastomere beuth de allgemeine eigenschaften der elastomere r e t gmbh din 53598 1 1983 statistical evaluation at off hand fachwissen prüfverfahren für elastomere elastomer dichtungs werkstoffe übersicht und

**kautschuk und elastomere tl 1 physikalische prüfverfahren by** - Feb 26 2022

web thermoplastische elastomere prüf und forschungsinstitut pirmasens e v prüflabor technische elastomer erzeugnisse kgk rubberpoint de kautschuk elastomere elastomere lexikon der kunststoffprüfung pdf kautschuk kostenlos download wissenschaftsbuch187 fachwissen prüfverfahren für elastomere kautschuk und elastomere physikalische

kautschuk und elastomere tl 1 physikalische prüfv copy - May 12 2023

web 1 kautschuk und elastomere tl 1 physikalische prüfv zeitschrift für mathematik und physik feb 21 2021 excerpt from zeitschrift für mathematik und physik 1904 vol 51 organ für angewandte mathematik nachtrag zu der mitteilung statische

eigenschaft eines systems von punkten für die eine beliebige funktion ihrer lage ein minimum ist

**kautschuk und elastomere tl 1 physikalische prüfv** - Nov 06 2022

web 1 kautschuk und elastomere tl 1 physikalische prüfv getting the books kautschuk und elastomere tl 1 physikalische prüfv now is not type of inspiring means you could not on your own going considering books heap or library or borrowing from your links to gate them this is an categorically easy means to specifically acquire guide by on line

[silikonkautschuk silikonelastomere maschinenbau wissen de](#) - Feb 09 2023

web anzeige bei silikonkautschuken und silikonelastomeren handelt es sich um massen die sich in den gummielastischen zustand überführen lassen sie enthalten poly organo siloxane welche gruppen enthalten die für vernetzungsreaktionen zugänglich sind in frage kommen hierbei vorwiegend vinylgruppen sowie hydroxygruppen und

*kautschuk elastomere muecher com* - Dec 07 2022

web kautschuk elastomere gummi ist ein werkstoff mit hoher elastizität und großem rückstellvermögen in technischen anwendungen wird dieser werkstoff als elastomer bezeichnet als basismaterial zur herstellung dient natur oder synthesekautschuk eine kautschukmischung enthält verschiedene zusatzstoffe

**kautschuk und elastomere tl 1 physikalische prüfv download** - Mar 30 2022

web kautschuk und elastomere tl 1 physikalische prüfv downloaded from old abbotsfordfoodbank com by guest evelin brooklyn additives in polymers ismithers rapra publishing wer in der vielfältigen ingenieurpraxis auf solides grundlagenwissen zurückgreifen will findet in diesem lexikon detaillierte fachkenntnisse aus dem

**kautschuk in chemie schülerlexikon lernhelfer** - Apr 11 2023

web naturkautschuk ist ein polymer das aus isopreneinheiten 2 methyl 1 3 butadien besteht es handelt sich um cis 1 4 polyisopren ein polymeres kautschuk molekül besteht aus 3 000 bis 10 000 isopreneinheiten rohkautschuk ist weich und sehr elastisch bei temperaturen um 0 c wird er aber hart und bei über 150 c wird er klebrig und zerfließt

**glückskinder warum manche lebenslang chancen suchen** - Aug 06 2022

web glückskinder warum manche lebenslang chancen such die 10 größten lernlustkiller may 11 2022 schon in der grundschule spätestens mit dem wechsel auf eine

[glückskinder warum manche lebenslang chancen suchen](#) - Nov 28 2021

**glückskinder warum manche lebenslang chancen suchen und** - Feb 12 2023

web apr 13 2016 unbegrenzt glückskinder warum manche lebenslang chancen suchen und andere sie täglich nutzen live von hermann scherer anhören oder in hi res

*gluckskinder warum manche lebenslang chancen such* - Oct 08 2022

web warum manche lebenslang chancen suchen und andere sie was glückskinder anders machen und warum sie erfolg haben glückskinder von hermann scherer buch thalia

glückskinder warum manche lebenslang chancen suchen und - Apr 14 2023

web klingt banal warum sind wir dann nicht längst alle glückskinder hermann scherer erzählt viele geschichten von menschen die chancen in scheinbar unbedeutenden oder gar

**glückskinder lohnt sich das buch** - Jun 04 2022

web as this gluckskinder warum manche lebenslang chancen such it ends up creature one of the favored ebook gluckskinder warum manche lebenslang chancen such

glückskinder warum manche lebenslang chancen suchen und - Jul 17 2023

web klingt banal warum sind wir dann nicht längst alle glückskinder hermann scherer erzählt viele geschichten von menschen die chancen in scheinbar unbedeutenden oder gar

**glückskinder warum manche lebenslang chancen** - May 15 2023

web hören sie glückskinder warum manche lebenslang chancen suchen und andere sie täglich nutzen von hermann scherer mit einer kostenlosen testversion hören sie

*glückskinder warum manche lebenslang chancen suchen* - Dec 10 2022

web glückskinder warum manche lebenslang chancen suchen und andere sie täglich nutzen für später speichern die kleinen saboteure so managen sie die inneren

**glückskinder tv de** - Jan 31 2022

web warum manche lebenslang chancen suchen und bol glückskinder hermann scherer 9783593393490 glückskinder ein buch von hermann scherer campus verlag warum

**glückskinder warum manche lebenslang chancen suchen** - Jun 16 2023

web glückskinder warum manche lebenslang chancen suchen und andere sie täglich nutzen scherer hermann amazon com tr kitap

*gluckskinder warum manche lebenslang chancen such* - May 03 2022

web glückskinder ist eine 1936 im stil amerikanischer screwball comedies gedrehte deutsche filmkomödie mit dem traumpaar des deutschen films der 1930er jahre lilian harvey

**glückskinder warum manche lebenslang chancen suchen** - Aug 18 2023

web glückskinder warum manche lebenslang chancen suchen und andere sie täglich nutzen scherer hermann amazon com tr glückskinder warum manche lebenslang chancen suchen - Mar 13 2023

web sep 12 2011 glückskinder book read 11 reviews from the world s largest community for readers der fisch springt nicht

an den haken und das reh läuft nicht vor die f

**glückskinder warum manche lebenslang chancen suchen und** - Jan 11 2023

web chancen zu erkennen und diese zu ergreifen noch bevor man merkt dass man wieder eine verpasst hat das macht glückskinder aus glückskinder ist ein tolles buch mit vielen

**gluckskinder warum manche lebenslang chancen such 2023** - Jul 05 2022

web may 4 2019 glückskinder werde ein glückskind das verspricht hermann scherer in seinem buch glückskinder das erfolgreichste seiner über 50 bücher ist ein

[cafe glueckskind tripadvisor](#) - Mar 01 2022

web glückskinder im fernsehen was macht das leben lebenswert diese frage wurde fünf schweizerinnen und schweizern gestellt die von sich behaupten glücklich zu

**glückskinder warum manche lebenslang chancen suchen und** - Sep 07 2022

web feb 29 2012 in seinem buch glückskinder warum manche lebenslang chancen jagen und andere sie täglich nutzen stellt der autor uns solche glückskinder vor und

**glückskinder wikipedia** - Apr 02 2022

web cafe glueckskind nicht beansprucht bewertung speichern senden 24 bewertungen nr 1 843 von 2 669 restaurants in münchen café für vegetarier geeignet

*glückskinder von hermann scherer hörbuch scribd* - Nov 09 2022

web gluckskinder warum manche lebenslang chancen such 5 5 statt sie im kampf gegeneinander zu vergeuden lermer analysiert desaströse beziehungen beschreibt die

**glückskinder warum manche lebenslang chancen suchen** - Sep 19 2023

web glückskinder warum manche lebenslang chancen suchen und andere sie täglich nutzen scherer hermann isbn 9783492302807 kostenloser versand für alle bücher mit versand und verkauf duch amazon

**glückskinder warum manche lebenslang chancen suchen und** - Dec 30 2021

web chancen zu erkennen und diese zu ergreifen noch bevor man merkt dass man wieder eine verpasst hat das macht glückskinder aus glückskinder ist ein tolles buch mit vielen