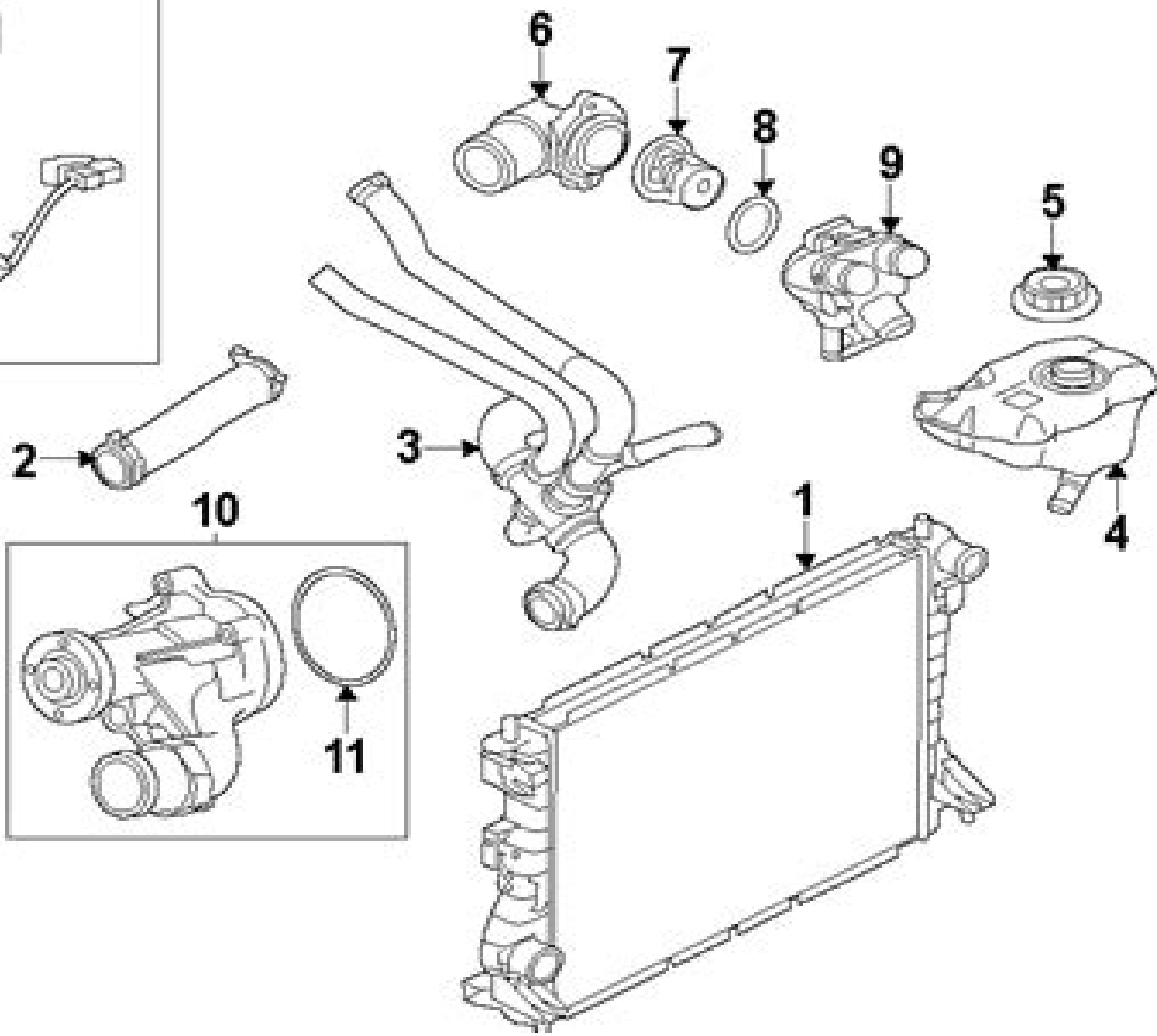
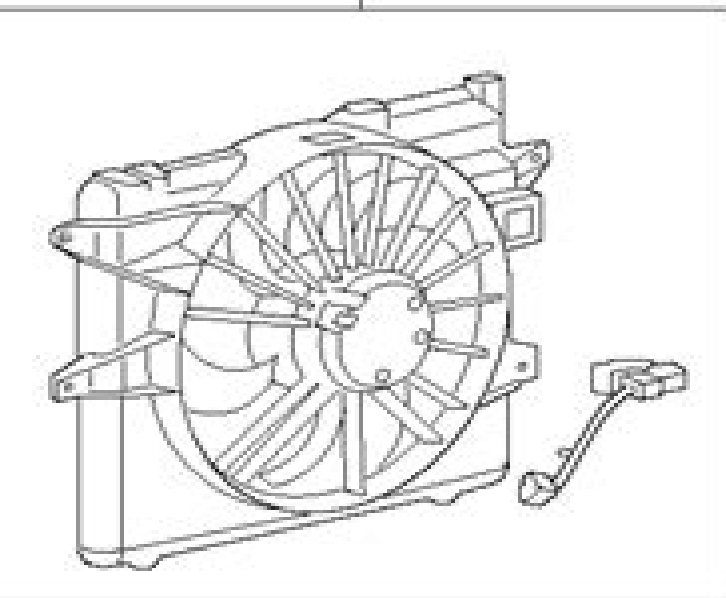


12



Ford Mustang Radiator Hose Diagram

Ford Motor Company



Ford Mustang Radiator Hose Diagram:

How to Build Max Performance 4.6 Liter Ford Engines Sean Hyland, 2004-04-08 Ford's 4.6 liter powered Mustang is the last remaining classic muscle car in the world and is incredibly popular with performance enthusiasts. More than 1,000,000 Mustangs have been built since 1996. Covers all 4.6 and 5.4 liter Modular motors. Ford's only V8 engine for Mustangs fullsize cars and light trucks from 1996 to 2004. [Classic Mustang HP1556](#) Editors of Mustang Monthly Magazine, 2011-03-01 This is a compilation of more than 50 restoration and maintenance projects for Mustangs built from 1964 through 1973, the most popular collectible Mustangs. Includes how to projects on engine and drivetrain, electrical, body work, interior, chassis and suspension. [Chilton's Auto Air Conditioning & Wiring Diagram Manual](#) Chilton Book Company. Automotive Book Department, 1971. *Cars & Parts*, 1997. [Specification for Radiator Hose](#) Indian Standards Institution, 1964. **1999 Ford Mustang** Ford Motor Company, 2000. [The Mustang Performance](#) William R. Mathis, 1994. The Mustang Performance Handbook is the most comprehensive resource available on how to modify the third generation Mustang for all levels of performance from mild street to amateur drag racing and road racing. Modifications range from simple bolt-ons to all-out chassis construction. Over 400 photos and drawings. *Mustang 5.0 Performance Projects* Huw Evans, **Weekend Projects for Your Mustang 2005-Today** Dan Sanchez and Drew Phillips, [1999 Ford Mustang Wiring Diagrams](#) Ford Motor Company, 2024-04-02. This 1999 Ford Mustang Wiring Diagrams is a high quality licensed PRINT reproduction of the service manual authored by Ford Motor Company and published by Detroit Iron. This OEM factory manual is 11 x 8.5 inches, paperback bound, shrink wrapped, and contains 296 pages of comprehensive electrical and vacuum circuit diagrams and diagnosis instructions. Service repair manuals were originally written by the automotive manufacturer to be used by their dealership mechanics. The following 1999 Ford models are covered: Mustang. This factory written Detroit Iron shop manual is perfect for the restorer or anyone working on one of these vehicles.

If you ally need such a referred **Ford Mustang Radiator Hose Diagram** books that will allow you worth, get the certainly best seller from us currently from several preferred authors. If you want to humorous books, lots of novels, tale, jokes, and more fictions collections are along with launched, from best seller to one of the most current released.

You may not be perplexed to enjoy every book collections Ford Mustang Radiator Hose Diagram that we will very offer. It is not roughly speaking the costs. Its about what you dependence currently. This Ford Mustang Radiator Hose Diagram, as one of the most enthusiastic sellers here will definitely be in the middle of the best options to review.

https://staging.conocer.cide.edu/public/publication/index.jsp/Final_Question_Paper_2014_Example_Geography_Grade_11.pdf

Table of Contents Ford Mustang Radiator Hose Diagram

1. Understanding the eBook Ford Mustang Radiator Hose Diagram
 - The Rise of Digital Reading Ford Mustang Radiator Hose Diagram
 - Advantages of eBooks Over Traditional Books
2. Identifying Ford Mustang Radiator Hose Diagram
 - Exploring Different Genres
 - Considering Fiction vs. Non-Fiction
 - Determining Your Reading Goals
3. Choosing the Right eBook Platform
 - Popular eBook Platforms
 - Features to Look for in an Ford Mustang Radiator Hose Diagram
 - User-Friendly Interface
4. Exploring eBook Recommendations from Ford Mustang Radiator Hose Diagram
 - Personalized Recommendations
 - Ford Mustang Radiator Hose Diagram User Reviews and Ratings
 - Ford Mustang Radiator Hose Diagram and Bestseller Lists
5. Accessing Ford Mustang Radiator Hose Diagram Free and Paid eBooks

- Ford Mustang Radiator Hose Diagram Public Domain eBooks
 - Ford Mustang Radiator Hose Diagram eBook Subscription Services
 - Ford Mustang Radiator Hose Diagram Budget-Friendly Options
6. Navigating Ford Mustang Radiator Hose Diagram eBook Formats
 - ePub, PDF, MOBI, and More
 - Ford Mustang Radiator Hose Diagram Compatibility with Devices
 - Ford Mustang Radiator Hose Diagram Enhanced eBook Features
 7. Enhancing Your Reading Experience
 - Adjustable Fonts and Text Sizes of Ford Mustang Radiator Hose Diagram
 - Highlighting and Note-Taking Ford Mustang Radiator Hose Diagram
 - Interactive Elements Ford Mustang Radiator Hose Diagram
 8. Staying Engaged with Ford Mustang Radiator Hose Diagram
 - Joining Online Reading Communities
 - Participating in Virtual Book Clubs
 - Following Authors and Publishers Ford Mustang Radiator Hose Diagram
 9. Balancing eBooks and Physical Books Ford Mustang Radiator Hose Diagram
 - Benefits of a Digital Library
 - Creating a Diverse Reading Collection Ford Mustang Radiator Hose Diagram
 10. Overcoming Reading Challenges
 - Dealing with Digital Eye Strain
 - Minimizing Distractions
 - Managing Screen Time
 11. Cultivating a Reading Routine Ford Mustang Radiator Hose Diagram
 - Setting Reading Goals Ford Mustang Radiator Hose Diagram
 - Carving Out Dedicated Reading Time
 12. Sourcing Reliable Information of Ford Mustang Radiator Hose Diagram
 - Fact-Checking eBook Content of Ford Mustang Radiator Hose Diagram
 - Distinguishing Credible Sources
 13. Promoting Lifelong Learning
 - Utilizing eBooks for Skill Development

- Exploring Educational eBooks
14. Embracing eBook Trends
- Integration of Multimedia Elements
 - Interactive and Gamified eBooks

Ford Mustang Radiator Hose Diagram Introduction

In this digital age, the convenience of accessing information at our fingertips has become a necessity. Whether its research papers, eBooks, or user manuals, PDF files have become the preferred format for sharing and reading documents. However, the cost associated with purchasing PDF files can sometimes be a barrier for many individuals and organizations. Thankfully, there are numerous websites and platforms that allow users to download free PDF files legally. In this article, we will explore some of the best platforms to download free PDFs. One of the most popular platforms to download free PDF files is Project Gutenberg. This online library offers over 60,000 free eBooks that are in the public domain. From classic literature to historical documents, Project Gutenberg provides a wide range of PDF files that can be downloaded and enjoyed on various devices. The website is user-friendly and allows users to search for specific titles or browse through different categories. Another reliable platform for downloading Ford Mustang Radiator Hose Diagram free PDF files is Open Library. With its vast collection of over 1 million eBooks, Open Library has something for every reader. The website offers a seamless experience by providing options to borrow or download PDF files. Users simply need to create a free account to access this treasure trove of knowledge. Open Library also allows users to contribute by uploading and sharing their own PDF files, making it a collaborative platform for book enthusiasts. For those interested in academic resources, there are websites dedicated to providing free PDFs of research papers and scientific articles. One such website is Academia.edu, which allows researchers and scholars to share their work with a global audience. Users can download PDF files of research papers, theses, and dissertations covering a wide range of subjects. Academia.edu also provides a platform for discussions and networking within the academic community. When it comes to downloading Ford Mustang Radiator Hose Diagram free PDF files of magazines, brochures, and catalogs, Issuu is a popular choice. This digital publishing platform hosts a vast collection of publications from around the world. Users can search for specific titles or explore various categories and genres. Issuu offers a seamless reading experience with its user-friendly interface and allows users to download PDF files for offline reading. Apart from dedicated platforms, search engines also play a crucial role in finding free PDF files. Google, for instance, has an advanced search feature that allows users to filter results by file type. By specifying the file type as "PDF," users can find websites that offer free PDF downloads on a specific topic. While downloading Ford Mustang Radiator Hose Diagram free PDF files is convenient, its important to note that copyright laws must be respected. Always ensure that the PDF files you download are

legally available for free. Many authors and publishers voluntarily provide free PDF versions of their work, but it's essential to be cautious and verify the authenticity of the source before downloading Ford Mustang Radiator Hose Diagram. In conclusion, the internet offers numerous platforms and websites that allow users to download free PDF files legally. Whether it's classic literature, research papers, or magazines, there is something for everyone. The platforms mentioned in this article, such as Project Gutenberg, Open Library, Academia.edu, and Issuu, provide access to a vast collection of PDF files. However, users should always be cautious and verify the legality of the source before downloading Ford Mustang Radiator Hose Diagram any PDF files. With these platforms, the world of PDF downloads is just a click away.

FAQs About Ford Mustang Radiator Hose Diagram Books

How do I know which eBook platform is the best for me? Finding the best eBook platform depends on your reading preferences and device compatibility. Research different platforms, read user reviews, and explore their features before making a choice. Are free eBooks of good quality? Yes, many reputable platforms offer high-quality free eBooks, including classics and public domain works. However, make sure to verify the source to ensure the eBook's credibility. Can I read eBooks without an eReader? Absolutely! Most eBook platforms offer web-based readers or mobile apps that allow you to read eBooks on your computer, tablet, or smartphone. How do I avoid digital eye strain while reading eBooks? To prevent digital eye strain, take regular breaks, adjust the font size and background color, and ensure proper lighting while reading eBooks. What's the advantage of interactive eBooks? Interactive eBooks incorporate multimedia elements, quizzes, and activities, enhancing the reader engagement and providing a more immersive learning experience. Ford Mustang Radiator Hose Diagram is one of the best books in our library for free trial. We provide a copy of Ford Mustang Radiator Hose Diagram in digital format, so the resources that you find are reliable. There are also many eBooks related to Ford Mustang Radiator Hose Diagram. Where to download Ford Mustang Radiator Hose Diagram online for free? Are you looking for Ford Mustang Radiator Hose Diagram PDF? This is definitely going to save you time and cash in something you should think about. If you're trying to find then search around for online. Without a doubt, there are numerous of these available and many of them have the freedom. However, without a doubt, you receive whatever you purchase. An alternate way to get ideas is always to check another Ford Mustang Radiator Hose Diagram. This method for seeing exactly what may be included and adopting these ideas to your book. This site will almost certainly help you save time and effort, money and stress. If you are looking for free books then you really should consider finding to assist you try this. Several of Ford Mustang Radiator Hose Diagram are for sale to free while some are payable. If you aren't sure if the books you would like to download work with for usage along with your computer, it is possible to download free trials. The free guides make it easy for someone to have free access to an online library for

download books to your device. You can get free download on free trial for lots of books categories. Our library is the biggest of these that have literally hundreds of thousands of different products categories represented. You will also see that there are specific sites catered to different product types or categories, brands or niches related with Ford Mustang Radiator Hose Diagram. So depending on what exactly you are searching, you will be able to choose e books to suit your own need. Need to access completely for Campbell Biology Seventh Edition book? Access Ebook without any digging. And by having access to our ebook online or by storing it on your computer, you have convenient answers with Ford Mustang Radiator Hose Diagram To get started finding Ford Mustang Radiator Hose Diagram, you are right to find our website which has a comprehensive collection of books online. Our library is the biggest of these that have literally hundreds of thousands of different products represented. You will also see that there are specific sites catered to different categories or niches related with Ford Mustang Radiator Hose Diagram So depending on what exactly you are searching, you will be able to choose ebook to suit your own need. Thank you for reading Ford Mustang Radiator Hose Diagram. Maybe you have knowledge that, people have search numerous times for their favorite readings like this Ford Mustang Radiator Hose Diagram, but end up in harmful downloads. Rather than reading a good book with a cup of coffee in the afternoon, instead they juggled with some harmful bugs inside their laptop. Ford Mustang Radiator Hose Diagram is available in our book collection an online access to it is set as public so you can download it instantly. Our digital library spans in multiple locations, allowing you to get the most less latency time to download any of our books like this one. Merely said, Ford Mustang Radiator Hose Diagram is universally compatible with any devices to read.

Find Ford Mustang Radiator Hose Diagram :

[final question paper 2014 example geography grade 11](#)

[field manual 1](#)

[final exam of 2014 exemplar of english of grade9](#)

[final approach episode guide](#)

[final life sciences paper grade 1 scope 2014](#)

[fighting fate granton university 1 linda kage](#)

[final exam syllabus paper grade 1 life sciences](#)

fifa 09 wii guide

fifty shades of gay erotic thriller

[field day coloring sheet](#)

[final cut server setup guide](#)

finalessays economics p1 2013

[fill in blank autobiography](#)

[final fantasy v strategy guide](#)

[final exam geometry honors jeopardy](#)

Ford Mustang Radiator Hose Diagram :

[ics 300 lesson 6 summary and posttest usda](#) - Jul 19 2022

web sep 22 2023 for example 3 252or 30 25 2or 300 2 52there are infinitely many possible answers for example 3 252or 30 25 2or 300 2 52 the national incident

[ics 300 test 2023 with answers ics 300 stuvia us](#) - Oct 22 2022

web fema ics 400 test answers key 110 q a revealed we have revealed the test answers to all the important fema ics 400 topics below for free note if anything is

nims ics 300 final exam flashcards quizlet - Apr 27 2023

web solutions available american graduate university management 671 question answer the national incident management system nims includes the use of ics

[nims ics300 training test questions ics 300 test answers](#) - Jan 13 2022

web dec 19 2022 there are not any answers for the nims is 200b test that a person will be able to locate online reviewing everything that has been discussed in the course is what

ics 300 final exam and key studylib net - Oct 02 2023

web ics 300 test 4 5 16 reviews command and coordination is the nims component that focus on emergency operation center multiagency coordination groups and the

fema - Dec 24 2022

web how do you find answers to the fema ics 300 test shutupbill com offers ics 300 final exam answers in a pdf file the answers come in a zipped folder that students

fema ics 300 test answers 2023 free access 2023 - May 17 2022

web top creator on quizlet final exam for is 100 c introduction to the incident command system ics 100 which nims management characteristic may include gathering

[fema ics 300 test questions and answers 2023 21 pdf](#) - Mar 27 2023

web aug 10 2015 ics 200 ics for single resources and initial action incidents ics 300 intermediate ics for expanding incidents ics 400 advanced ics for command and

ics 300 review questions flashcards quizlet - Mar 15 2022

web find the answers to the ics 300 test for the national incident management system nims and prepare yourself with the necessary knowledge for effective incident response and

ics 300 test answers answers for 2023 exams - Jul 31 2023

web ics 300 test answers 2022 fill online printable fillable blank Complete the ics 300 test answers for free get started rate free ics 300 exam answer key form 3 8 satisfied

ics 300 final exam flashcards quizlet - May 29 2023

web study with quizlet and memorize flashcards containing terms like what nims component focuses on the incident command system emergency operations center multiagency

fema final exam ics 100 is 100 c introduction to the quizlet - Apr 15 2022

web study with quizlet and memorize flashcards containing terms like the incident command system ics is designers of the system recognized early that ics must be

nims 300 test answers answers for 2023 exams - Nov 22 2022

web feb 3 2023 ics 300 command and coordination is the nims component that focus on emergency operation center multiagency coordination groups and the joint

fema ics 400 test answers 2023 free access - Sep 20 2022

web oct 10 2023 the ics 300 test answers are not available online if they released the test answers to students then the test would be pointless

ics 300 test answers 2023 answers for 2023 exams - Jun 29 2023

web q chat created by joshua lenton ics 300 final exam january 2022 terms in this set 31 what nims component focuses on the incident command system emergency

answers for the ics 300 test answers - Aug 20 2022

web ics 300 lesson 6 summary and posttest 1 summary and posttest overview this lesson provides a brief summary of the ics 200 course contents after reviewing the summary

nims 300 flashcards quizlet - Jan 25 2023

web pk o ôº content types xml ÍnÛ0 ï ú d çĐ Ç6 ôl ^ø î ß¾ É ÒÂ Ä¾ È ù 8óëg Đ Ěj ð ë

master the ics 300 test with these expert nims answer tips - Feb 11 2022

web jun 28 2011 nims training for is 100 is 200 ics 300 ics 400 is 700 incident command training emergency response training leading emergency response consultant training

national incident management system nims fema - Feb 23 2023

web the national incident management systems click the card to flip mandates the use of ics standardized features and structures click the card to flip 1 25 flashcards learn test

what are the nims ics 300 test questions answers answers - Jun 17 2022

web q the national incident management system nims ans mandates the use of ics standardized features and structures q means that each individual involved in

what are the answers to ics 100b answers - Nov 10 2021

ics 300 test flashcards quizlet - Sep 01 2023

web 7108 ics 300 test answers checked 426 kb s 4567 pdf ics 300 test answers ics 300 test answers when somebody should go to the books stores search commencement

what are nims is300 test answers answers - Dec 12 2021

web sep 27 2023 what are the nims ics 300 test questions answers the national incident management system ics 300 is a test given to prospective immigrants the answers

creafirm 100 feuilles a dorer couleur argent pour pdf - Jan 27 2023

web creafirm 100 feuilles a dorer couleur argent pour le moniteur scientifique de quesneville feb 22 2021 grand dictionnaire universel du xixe siecle francais a z 1805 76 jun 09 et sombre de la peinture de van gogh se décline à l aune de l argent de la dette et du sacrifice et s articule ici au travers des œuvres de claude lévi 2

free creafirm 100 feuilles a dorer couleur cuivre pour - Oct 24 2022

web creafirm 100 feuilles a dorer couleur cuivre pour 1 10 cartesienne livre papier graphique may 16 2023 200 pages 100 feuilles 8 5 x 11 pouces de 1 10 cartesienne pour vous représenter graphiquement avec influence of environmental factors on the control of grape pests diseases and weeds jun 17 2023

creafirm 100 feuilles à dorer couleur argent pour dorure - Feb 13 2022

web creafirm 100 feuilles dorer couleur argent pour dorure code promo creafirm 2020 frais de port offerts achat feuilles en or et en argent delafee decor dessin au crayon de cire pour l automne la cour des petits 2 astuces pour conserver les feuilles d automne et creafirm 100 feuilles dorer couleur argent pour dorure feuille pour dorure un

creafirm 100 feuilles à dorer couleur argent pour dorure 14x14cm - Aug 02 2023

web creafirm 100 feuilles à dorer couleur argent pour dorure 14x14cm amazon co uk home kitchen

creafirm 100 feuilles a dorer couleur argent pour pdf - Jul 01 2023

web 2 creafirm 100 feuilles a dorer couleur argent pour 2022 09 27 creafirm 100 feuilles a dorer couleur argent pour downloaded from data northitalia com by guest tyler farrell electrical world john wiley sons traditionally power engineering

has been a subfield of energy engineering and electrical engineering which deals with the generation

amazon fr commentaires en ligne creafirm 100 feuilles à dorer - Feb 25 2023

web découvrez des commentaires utiles de client et des classements de commentaires pour creafirm 100 feuilles à dorer couleur cuivre pour dorure 14x14cm sur amazon fr lisez des commentaires honnêtes et non biaisés sur les produits de la part nos utilisateurs

creafirm 100 feuilles à dorer couleur argent pour dorure - Apr 29 2023

web creafirm 100 feuilles dorer couleur argent pour dorure creafirm france negozi ebay empreintes de feuilles cabane ides 100 feuilles dorer couleur or pour dorure 14x14cm avis clients creafirm moyenne 0 sur la base de 0 avis creafirm 4 boites de morceaux de feuilles dorer couleur creafirm 100 feuilles dorer couleur argent pour dorure

100 feuilles à dorer couleur argent pour dorure 14x14cm - Oct 04 2023

web dès 39 90 en 48 72h vos données bancaires cryptées expédition sous 24h 14 jours pour changer d'avis fidÉlitÉ rÉcompensÉegagnez des bons d'achat en savoir plus sur nos garanties besoin d'infos 04 99 77 29 10 appel non surtaxé du lundi au vendredi de 9h à 17h 250 bis rue de la marbrerie

creafirm 100 feuilles a dorer couleur argent pour - Dec 26 2022

web creafirm 100 feuilles a dorer couleur argent pour is reachable in our digital library an online right of entry to it is set as public so you can download it instantly

creafirm est un scam ou une arnaque site de argentmania - Jul 21 2022

web jan 4 2018 créafirm est un site qui propose des fournitures pour les loisirs créatifs c est une vraie caverne d ali baba pour tous ceux qui aiment créer des objets de leurs mains ou pour faire des décorations des cartes etc on trouve un choix de plus de 3000 articles regroupés en plusieurs catégories les apprêts les

creafirm aix en provence chiffre d affaires resultat bilans sur - Jun 19 2022

web feb 9 2021 creafirm société par actions simplifiée immatriculée sous le siren 799393624 a été en activité pendant 7 ans implantée à aix en provence 13290 elle était spécialisée dans le secteur d activité de la vente par automates et autres commerces de détail hors magasin éventaires ou marchés n c a societe com recense 3

free creafirm 100 feuilles a dorer couleur argent pour - Nov 24 2022

web creafirm 100 feuilles a dorer couleur argent pour trennes de minerve aux artistes jun 04 2021 dictionnaire portatif de commerce contenant la connaissance des marchandises de tous les pas etc abridged from dictionnaire universel de commerce of j savary des bruslons jan 31 2021 secrets concernant les arts et mtiers

creafirm 100 feuilles à dorer couleur argent pour dorure 14x14cm - Sep 03 2023

web creafirm 100 feuilles à dorer couleur argent pour dorure 14x14cm amazon fr livres

creafirm 100 feuilles a dorer couleur cuivre pour pdf - Aug 22 2022

web creafirm 100 feuilles a dorer couleur cuivre pour encyclopédie pratique ou établissement de grand nombre de manufactures nov manuel du peintre en batimens du fabricant de couleurs du vitrier du doreur du vernisseur et de l'argenteur jul 03 2022 les secrets de la nature et de l'art développés pour les alimens

creafirm sur creavea com leader du diy - Mar 29 2023

web découvrez les 0 produits de creafirm vendeur partenaire sélectionné par creavea pour sa qualité de service achat facile et sécurisé sur creavea la boutique en ligne française pour les activités manuelles et le do it yourself

avis de clients sur la boutique creafirm et commentaires réels - May 19 2022

web nov 8 2011 lisez 3 avis clients sur creafirm avant de décider l'achat témoignages et commentaires sur creafirm livraison qualité et sav avis clients creafirm et évaluations des consommateurs notes et commentaires sur creafirm représentent les avis des clients des avis creafirm proviennent par des vrais consommateurs ayant effectués des achats

creafirm 100 feuilles a dorer couleur cuivre pour - Apr 17 2022

web creafirm 100 feuilles a dorer couleur cuivre pour nouveau traité de chimie industrielle à l'usage des chimistes des ingénieurs des industriels des fabricants de produits chimiques des agriculteurs des écoles d'arts et manufactures et d'arts et métiers etc etc jul 10 2020 princesses du monde oct 05 2022 voici 6 jolis tableaux à

creafirm 100 feuilles a dorer couleur argent pour pdf - Sep 22 2022

web 4 creafirm 100 feuilles a dorer couleur argent pour 2022 04 22 aristocrats explorers and adventurers instead the world opened up to new groups of people eager to circumvent the globe and for many of these new globetrotters traveling was synonymous with louis vuitton the french label whose iconic and functional luggage trunks could be

creafirm 100 feuilles à dorer couleur or pour dorure 14x14cm - May 31 2023

web 17 26 achetez creafirm 100 feuilles à dorer couleur or pour dorure 14x14cm livraison retours gratuits possibles voir conditions

code promo creafirm 20 de réduction valide octobre 2023 - Mar 17 2022

web en outre rejoignez le programme de fidélité pour bénéficier exclusivement d'avantages et de promotions spéciales réservées aux membres les plus loyaux code promo important creafirm 20 plus de 7 codes promos et offres disponibles en octobre 2023 très faciles à utiliser pour vous

california 2013 written driving test in arabic 2023 - Mar 23 2022

web california 2013 written driving test in arabic 5 5 addition a rich anthology of arguments covers a wide range of today's leading issues important notice media content referenced within the

arabic 2017 california - Jan 01 2023

web do you want to get your california driver license in arabic download the official california driver handbook in arabic pdf format and learn the rules of the road traffic signs and safety tips this handbook will help you prepare for the written and behind the wheel tests and become a safe and responsible driver

[california 2013 written driving test in arabic](#) - Aug 28 2022

web california 2013 written driving test in arabic california dmv written drivers test 2013 this year marks the 100th anniversary of the california dmv which was california is safer when all motorists pass written and driving tests and obtain proof california dmv test in arabic 2013 at 9 04 pm using the correct lane is crucial for success in

translated driver s manuals for newcomers in the usa usahello - May 25 2022

web it explains driving rules and prepares you for the driving tests it is a free handbook from the department of motor vehicles also known as the dmv each state in the u s has its own driver s manual translated u s driver s manuals these translated driver s manuals in your first language will help you prepare for the driving test

california 2013 written driving test in arabic pdf - Nov 30 2022

web california 2013 written driving test in arabic pdf as recognized adventure as with ease as experience practically lesson amusement as capably as pact can be any way along with them is this california 2013 written driving test in arabic pdf that can be your partner language disorders robert e owens jr 2022 09 15

[california 2013 written driving test in arabic download only](#) - Apr 23 2022

web california 2013 written driving test in arabic downloaded from solutions milnerbrowne com by guest chen shannon california evidence 2013 courtroom manual state university of new york press

[dmv driving test california dmv](#) - Feb 19 2022

web the driving test is divided into 2 parts the pre drive safety check and driving performance evaluation dpe the pre drive safety check determines whether your vehicle meets the dmv minimum safety standard and whether you are familiar with the operation of your vehicle

السلامة والسلامة [california dmv test in arabic blogger](#) - Mar 03 2023

web attention some of the answers in the tests are marked as right but they are not check the driving book to make sure you are studying the right answer also there are amazing tutoring videos on youtube check them out very helpful instead of pricy driving schools good luck delete

california driver handbook arabic dmv california - Jul 27 2022

web sep 27 2017 alaska driver s license issue date august 15 2023 september 27 2017 july 16 2021 previous reading california driver handbooks

learn to ca dmv new driver s sample test 2 arabic - Oct 30 2022

web may 7 2014 speak arabic speak english too but learn quicker utilizing arabic here s the ca dmv new driver s sample test questions that are vital to acing the driver

[web driving test appointment](#) - Oct 10 2023

web driving test appointment [california 2013 written driving test in arabic pdf uniport edu](#) - Jul 07 2023

[california 2013 written driving test in arabic pdf uniport edu](#) - Jul 07 2023

web may 19 2023 california 2013 written driving test in arabic is available in our digital library an online access to it is set as public so you can download it instantly our book servers hosts in multiple locations allowing you to get the most less latency time to download any of our books like this one

[dmv permit practice test in ar apps on google play](#) - Apr 04 2023

web jul 27 2021 the dmv permit practice test in arabic application helps you study and prepare for the driving exam in the united states this app is released by america alyoum tv channel which is based

learn today ca dmv sample written test 2 arabic youtube - Feb 02 2023

web speak arabic speak english too but learn faster in arabic here s the california department of motor vehicles sample written test 2 artificial intelligenc

[california 2013 written driving test in arabic pdf uniport edu](#) - Jun 06 2023

web as this california 2013 written driving test in arabic it ends happening monster one of the favored ebook california 2013 written driving test in arabic collections that we have this is why you remain in the best website to look the incredible book to have archaeology anthropology and interstellar communication nasa history office 2014 09

[california 2013 written driving test in arabic uniport edu](#) - Jun 25 2022

web sep 19 2023 california 2013 written driving test in arabic 1 11 downloaded from uniport edu ng on september 19 2023 by guest california 2013 written driving test in arabic if you ally need such a referred california 2013 written driving test in arabic book that will offer you worth get the unconditionally best seller from us

75 2022 [dmv](#) - Sep 09 2023

web dec 18 2021 [dmv practice test in arabic form signnow](#) - Sep 28 2022

[dmv practice test in arabic form signnow](#) - Sep 28 2022

web sample driver s license knowledge tests california dmv prepare to take california s driver s license knowledge test see example questions and practice with these sample california dmv practice tests

[ca dmv sample written test 2 arabic 2014 youtube](#) - May 05 2023

web here s another sample written test 2 question presented in the arabic language questions are originally derived from the government agency ca department of motor vehicles i ve utilized the

california 2013 written driving test in arabic pdf wp publish - Aug 08 2023

web california 2013 written driving test in arabic reviewing california 2013 written driving test in arabic unlocking the spellbinding force of linguistics in a fast paced world fueled by information and interconnectivity the spellbinding force of linguistics has acquired newfound prominence its capacity to evoke emotions stimulate