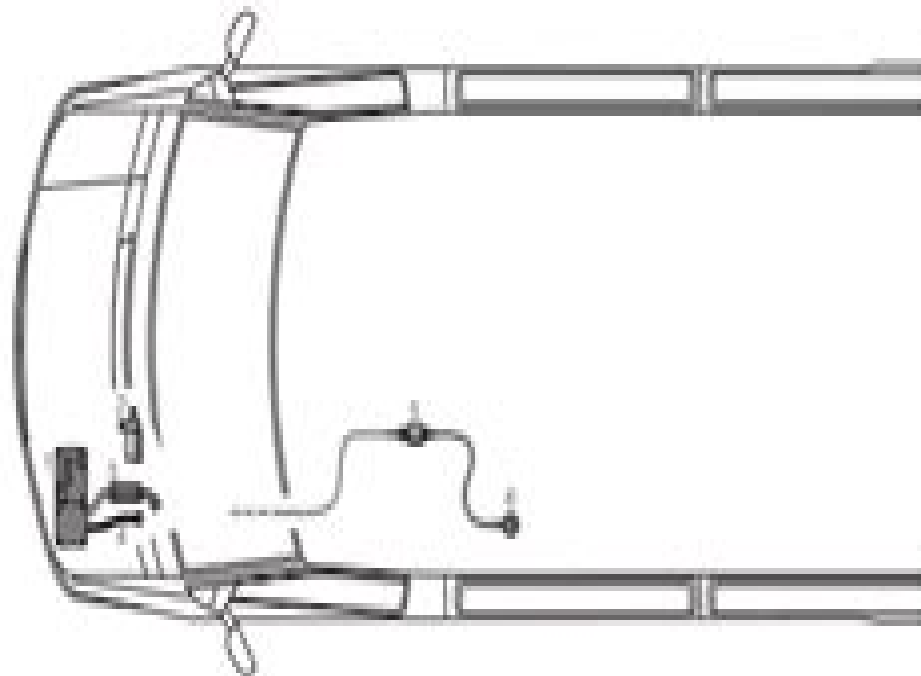




- 3 Abgasrohr mit Schalldämpfer
- 4 Verbrennungsluftschlauch
- 5 Dosierpumpe
- 6 Tankarmatur



- 1 Heater
- 2 Water pump (MB part)
- 3 Exhaust pipe with silencer
- 4 Combustion air hose
- 5 Dosing pump
- 6 Tank fitting

Bitte beachten !

Please note !

# Mercedes Sprinter Manual Webasto

**J Ma**



**Mercedes Sprinter Manual Webasto:**

Delve into the emotional tapestry woven by in Dive into the Emotion of **Mercedes Sprinter Manual Webasto** . This ebook, available for download in a PDF format ( PDF Size: \*), is more than just words on a page; itis a journey of connection and profound emotion. Immerse yourself in narratives that tug at your heartstrings. Download now to experience the pulse of each page and let your emotions run wild.

[https://staging.conocer.cide.edu/data/book-search/fetch.php/High\\_Resolution\\_Electrocardiography.pdf](https://staging.conocer.cide.edu/data/book-search/fetch.php/High_Resolution_Electrocardiography.pdf)

## **Table of Contents Mercedes Sprinter Manual Webasto**

1. Understanding the eBook Mercedes Sprinter Manual Webasto
  - The Rise of Digital Reading Mercedes Sprinter Manual Webasto
  - Advantages of eBooks Over Traditional Books
2. Identifying Mercedes Sprinter Manual Webasto
  - Exploring Different Genres
  - Considering Fiction vs. Non-Fiction
  - Determining Your Reading Goals
3. Choosing the Right eBook Platform
  - Popular eBook Platforms
  - Features to Look for in an Mercedes Sprinter Manual Webasto
  - User-Friendly Interface
4. Exploring eBook Recommendations from Mercedes Sprinter Manual Webasto
  - Personalized Recommendations
  - Mercedes Sprinter Manual Webasto User Reviews and Ratings
  - Mercedes Sprinter Manual Webasto and Bestseller Lists
5. Accessing Mercedes Sprinter Manual Webasto Free and Paid eBooks
  - Mercedes Sprinter Manual Webasto Public Domain eBooks
  - Mercedes Sprinter Manual Webasto eBook Subscription Services
  - Mercedes Sprinter Manual Webasto Budget-Friendly Options

6. Navigating Mercedes Sprinter Manual Webasto eBook Formats
  - ePub, PDF, MOBI, and More
  - Mercedes Sprinter Manual Webasto Compatibility with Devices
  - Mercedes Sprinter Manual Webasto Enhanced eBook Features
7. Enhancing Your Reading Experience
  - Adjustable Fonts and Text Sizes of Mercedes Sprinter Manual Webasto
  - Highlighting and Note-Taking Mercedes Sprinter Manual Webasto
  - Interactive Elements Mercedes Sprinter Manual Webasto
8. Staying Engaged with Mercedes Sprinter Manual Webasto
  - Joining Online Reading Communities
  - Participating in Virtual Book Clubs
  - Following Authors and Publishers Mercedes Sprinter Manual Webasto
9. Balancing eBooks and Physical Books Mercedes Sprinter Manual Webasto
  - Benefits of a Digital Library
  - Creating a Diverse Reading Collection Mercedes Sprinter Manual Webasto
10. Overcoming Reading Challenges
  - Dealing with Digital Eye Strain
  - Minimizing Distractions
  - Managing Screen Time
11. Cultivating a Reading Routine Mercedes Sprinter Manual Webasto
  - Setting Reading Goals Mercedes Sprinter Manual Webasto
  - Carving Out Dedicated Reading Time
12. Sourcing Reliable Information of Mercedes Sprinter Manual Webasto
  - Fact-Checking eBook Content of Mercedes Sprinter Manual Webasto
  - Distinguishing Credible Sources
13. Promoting Lifelong Learning
  - Utilizing eBooks for Skill Development
  - Exploring Educational eBooks
14. Embracing eBook Trends
  - Integration of Multimedia Elements

- 
- Interactive and Gamified eBooks

## **Mercedes Sprinter Manual Webasto Introduction**

Free PDF Books and Manuals for Download: Unlocking Knowledge at Your Fingertips In today's fast-paced digital age, obtaining valuable knowledge has become easier than ever. Thanks to the internet, a vast array of books and manuals are now available for free download in PDF format. Whether you are a student, professional, or simply an avid reader, this treasure trove of downloadable resources offers a wealth of information, conveniently accessible anytime, anywhere. The advent of online libraries and platforms dedicated to sharing knowledge has revolutionized the way we consume information. No longer confined to physical libraries or bookstores, readers can now access an extensive collection of digital books and manuals with just a few clicks. These resources, available in PDF, Microsoft Word, and PowerPoint formats, cater to a wide range of interests, including literature, technology, science, history, and much more. One notable platform where you can explore and download free Mercedes Sprinter Manual Webasto PDF books and manuals is the internet's largest free library. Hosted online, this catalog compiles a vast assortment of documents, making it a veritable goldmine of knowledge. With its easy-to-use website interface and customizable PDF generator, this platform offers a user-friendly experience, allowing individuals to effortlessly navigate and access the information they seek. The availability of free PDF books and manuals on this platform demonstrates its commitment to democratizing education and empowering individuals with the tools needed to succeed in their chosen fields. It allows anyone, regardless of their background or financial limitations, to expand their horizons and gain insights from experts in various disciplines. One of the most significant advantages of downloading PDF books and manuals lies in their portability. Unlike physical copies, digital books can be stored and carried on a single device, such as a tablet or smartphone, saving valuable space and weight. This convenience makes it possible for readers to have their entire library at their fingertips, whether they are commuting, traveling, or simply enjoying a lazy afternoon at home. Additionally, digital files are easily searchable, enabling readers to locate specific information within seconds. With a few keystrokes, users can search for keywords, topics, or phrases, making research and finding relevant information a breeze. This efficiency saves time and effort, streamlining the learning process and allowing individuals to focus on extracting the information they need. Furthermore, the availability of free PDF books and manuals fosters a culture of continuous learning. By removing financial barriers, more people can access educational resources and pursue lifelong learning, contributing to personal growth and professional development. This democratization of knowledge promotes intellectual curiosity and empowers individuals to become lifelong learners, promoting progress and innovation in various fields. It is worth noting that while accessing free Mercedes Sprinter Manual Webasto PDF books and manuals is convenient and cost-effective, it is vital to respect copyright laws and intellectual property rights. Platforms offering free downloads often operate within legal

boundaries, ensuring that the materials they provide are either in the public domain or authorized for distribution. By adhering to copyright laws, users can enjoy the benefits of free access to knowledge while supporting the authors and publishers who make these resources available. In conclusion, the availability of Mercedes Sprinter Manual Webasto free PDF books and manuals for download has revolutionized the way we access and consume knowledge. With just a few clicks, individuals can explore a vast collection of resources across different disciplines, all free of charge. This accessibility empowers individuals to become lifelong learners, contributing to personal growth, professional development, and the advancement of society as a whole. So why not unlock a world of knowledge today? Start exploring the vast sea of free PDF books and manuals waiting to be discovered right at your fingertips.

### **FAQs About Mercedes Sprinter Manual Webasto Books**

How do I know which eBook platform is the best for me? Finding the best eBook platform depends on your reading preferences and device compatibility. Research different platforms, read user reviews, and explore their features before making a choice. Are free eBooks of good quality? Yes, many reputable platforms offer high-quality free eBooks, including classics and public domain works. However, make sure to verify the source to ensure the eBook credibility. Can I read eBooks without an eReader? Absolutely! Most eBook platforms offer webbased readers or mobile apps that allow you to read eBooks on your computer, tablet, or smartphone. How do I avoid digital eye strain while reading eBooks? To prevent digital eye strain, take regular breaks, adjust the font size and background color, and ensure proper lighting while reading eBooks. What the advantage of interactive eBooks? Interactive eBooks incorporate multimedia elements, quizzes, and activities, enhancing the reader engagement and providing a more immersive learning experience. Mercedes Sprinter Manual Webasto is one of the best book in our library for free trial. We provide copy of Mercedes Sprinter Manual Webasto in digital format, so the resources that you find are reliable. There are also many Ebooks of related with Mercedes Sprinter Manual Webasto. Where to download Mercedes Sprinter Manual Webasto online for free? Are you looking for Mercedes Sprinter Manual Webasto PDF? This is definitely going to save you time and cash in something you should think about. If you trying to find then search around for online. Without a doubt there are numerous these available and many of them have the freedom. However without doubt you receive whatever you purchase. An alternate way to get ideas is always to check another Mercedes Sprinter Manual Webasto. This method for see exactly what may be included and adopt these ideas to your book. This site will almost certainly help you save time and effort, money and stress. If you are looking for free books then you really should consider finding to assist you try this. Several of Mercedes Sprinter Manual Webasto are for sale to free while some are payable. If you arent sure if the books you would like to download works with for usage along with your computer,

it is possible to download free trials. The free guides make it easy for someone to free access online library for download books to your device. You can get free download on free trial for lots of books categories. Our library is the biggest of these that have literally hundreds of thousands of different products categories represented. You will also see that there are specific sites catered to different product types or categories, brands or niches related with Mercedes Sprinter Manual Webasto. So depending on what exactly you are searching, you will be able to choose e books to suit your own need. Need to access completely for Campbell Biology Seventh Edition book? Access Ebook without any digging. And by having access to our ebook online or by storing it on your computer, you have convenient answers with Mercedes Sprinter Manual Webasto To get started finding Mercedes Sprinter Manual Webasto, you are right to find our website which has a comprehensive collection of books online. Our library is the biggest of these that have literally hundreds of thousands of different products represented. You will also see that there are specific sites catered to different categories or niches related with Mercedes Sprinter Manual Webasto So depending on what exactly you are searching, you will be able to choose ebook to suit your own need. Thank you for reading Mercedes Sprinter Manual Webasto. Maybe you have knowledge that, people have search numerous times for their favorite readings like this Mercedes Sprinter Manual Webasto, but end up in harmful downloads. Rather than reading a good book with a cup of coffee in the afternoon, instead they juggled with some harmful bugs inside their laptop. Mercedes Sprinter Manual Webasto is available in our book collection an online access to it is set as public so you can download it instantly. Our digital library spans in multiple locations, allowing you to get the most less latency time to download any of our books like this one. Merely said, Mercedes Sprinter Manual Webasto is universally compatible with any devices to read.

### **Find Mercedes Sprinter Manual Webasto :**

[high resolution electrocardiography](#)

[hijos del rock](#)

[high steaks](#)

[high performance through effective budgeting](#)

**highfield transport in semiconductor superlattices**

**hijos secretos del grial los**

**high frequency and pulse scattering.**

**high sky overall idaho fiction at the centennial**

[highest weight representations of infinitedimensional lie algebras](#)

*hieroglyph of time the petrarchan sestina*



high performers how the best companies find and keep them

**high-performance construction materials and systems a ten-year plan and implementation strategy**

high risk child

**hidden markov models applications to financial economics**

hiding out elizabeth gail 11

## **Mercedes Sprinter Manual Webasto :**

**psychopathologie 2e a c dition monlab une approach pdf** - Feb 09 2023

web psychopathologie 2e a c dition monlab une approach 2 9 downloaded from uniport edu ng on june 30 2023 by guest affection i am cassius the king of the immortals a dark one and today i tasted fear for the first time how can i win her when my human emotions overtake every ounce of logic i possess a darkness is brewing one i cannot

**psychopathology psychology tutor2u** - Dec 27 2021

web jun 6 2017 psychopathology psychopathology is the scientific study of mental psychological disorders the psychopathology topic considers different explanations for various psychological disorders e g depression phobias and obsessive compulsive disorder including biological psychological and social explanations

*free psychopathologie 2e a c dition monlab une approach* - Jun 01 2022

web psychopathologie 2e a c dition monlab une approach index of economic articles oct 30 2021 congressional record nov 30 2021 the congressional record is the official record of the proceedings and debates of the united states congress it is published daily when congress is in session the congressional record began publication in 1873

psychopathologie 2e a c dition monlab une approach act inc - May 12 2023

web 2e a c dition monlab une approach and collections to check out we additionally pay for variant types and plus type of the books to browse the welcome book fiction history novel scientific research as well as various additional sorts of books are readily genial here as this psychopathologie 2e a c dition monlab une approach

**la définition de psychopathologie carnets2psycho** - Apr 30 2022

web la définition de psychopathologie la psychopathologie désigne la science des souffrances de l esprit elle est considérée à la fois comme une branche de la psychologie et comme une réflexion théorique sur la clinique psychiatrique par ailleurs les définitions de la psychopathologie sont en fait multiples

*psychopathologie définition maladies et traitements ooreka* - Feb 26 2022

web la psychopathologie des mots grecs signifiants âme et maladie est l étude des maladies mentales et de leurs causes elle est étudiée en psychologie et en psychiatrie et permet de classer les maladies mentales pour aider les professionnels de santé

à faire leur diagnostic le point

*psychopathologie 2e a c dition monlab une approach* - Oct 05 2022

web acquire the most less latency epoch to download any of our books taking into consideration this one merely said the psychopathologie 2e a c dition monlab une approach is universally compatible later any devices to read psychopathologie 2e a c dition monlab une approach downloaded from cybersmash io by guest lennon rhett

**psychopathologie 2e a c dition monlab une approach** - Jan 28 2022

web apr 6 2023 psychopathologie 2e a c dition monlab une approach 2 9 downloaded from uniport edu ng on april 6 2023 by guest king s musketeers he is in love with constance bonancieux and at her urging he and his friends head for england to reclaim two diamond studs that the queen has imprudently given to her lover the duke of

*psychopathologie 2e a c dition monlab une approach pdf full pdf* - Jul 14 2023

web may 4 2023 psychopathologie 2e a c dition monlab une approach pdf is available in our digital library an online access to it is set as public so you can download it instantly

**downloadable free pdfs psychopathologie 2e a c dition monlab une** - Apr 11 2023

web jul 7 2023 psychopathologie 2e a c dition monlab une approach pdf this is likewise one of the factors by obtaining the soft documents of this psychopathologie 2e a c dition monlab une approach pdf by online you might not require more times to spend to go to the book commencement as with ease as search for them in some cases you

**psychopathologie 2 université de montréal admission** - Dec 07 2022

web psychopathologie 2 1 er cycle psy 3258 Études approfondies des principaux modèles actuels en psychopathologie applications à la prévention et au traitement campus

*psychopathologie 2e a c dition monlab une approach pdf* - Nov 06 2022

web may 30 2023 favorite readings like this psychopathologie 2e a c dition monlab une approach pdf but end up in malicious downloads rather than enjoying a good book with a cup of tea in the afternoon instead they cope with some malicious virus inside their desktop computer psychopathologie 2e a c dition monlab une approach

**psychopathologie 2e a c dition monlab une approach analytics** - Jun 13 2023

web psychopathologie 2e a c dition monlab une approach this is likewise one of the factors by obtaining the soft documents of this psychopathologie 2e a c dition monlab une approach by online you might not require more epoch to spend to go to the book start as with ease as search for them in some cases you likewise get not discover the statement

**psychopathologie 2e a c dition monlab une approach ol wise edu** - Mar 10 2023

web in some cases you likewise accomplish not discover the message psychopathologie 2e a c dition monlab une approach that you are looking for it will utterly squander the time however below gone you visit this web page it will be suitably definitely

---

simple to acquire as without difficulty as download lead psychopathologie 2e a c dition monlab

**psychopathologie 2e a c dition monlab une approach** - Sep 04 2022

web may 21 2023 psychopathologie 2e a c dition monlab une approach 1 8 downloaded from uniport edu ng on may 21 2023 by guest psychopathologie 2e a c dition monlab une approach when people should go to the ebook stores search introduction by shop shelf by shelf it is in point of fact problematic this is why we give the book compilations

psychopathologie 2e a c dition monlab une approach full pdf - Mar 30 2022

web 2 psychopathologie 2e a c dition monlab une approach 2023 07 16 with 25 new chapters brain injury medicine principles and practice 2nd edition is a clear and comprehensive guide to all aspects of the management of traumatic brain injury handbook of assessment and treatment planning for psychological disorders third edition w w

**psychopathologie 2e a c dition monlab une approach** - Aug 03 2022

web psychopathologie 2e a c dition monlab une approach 1 11 downloaded from uniport edu ng on april 20 2023 by guest psychopathologie 2e a c dition monlab une approach as recognized adventure as skillfully as experience virtually lesson amusement as without difficulty as

**psychopathologie 2e a c dition monlab une approach pdf** - Jan 08 2023

web jun 4 2023 web22 apr 2023 psychopathologie 2e a c dition monlab une approach pdf if you ally infatuation such a referred psychopathologie 2e a c dition monlab une approach pdf books that will have enough money you worth acquire the completely best seller from us currently from several preferred authors if you want to humorous books

psychopathologie 2e a c dition monlab une approach full pdf - Aug 15 2023

web psychopathologie 2e a c dition monlab une approach psychopathologie 2e a c dition monlab une approach 2 downloaded from cornelisfr vanlanschot be on 2023 01 06 by guest thérapies humanistes comportementales et médicamenteuses cet ouvrage crée un pont entre la médecine et la psychologie après un rappel de certains éléments de base

psychopathologie 2e a c dition monlab une approach copy - Jul 02 2022

web psychopathologie 2e a c dition monlab une approach 2 9 downloaded from uniport edu ng on september 8 2023 by guest story of crime tricks and hilarity for those who know that sometimes it takes a pair of junior sleuths to solve a slippery case detectives row is full of talented investigators but toby montrose isn t one of them

fundamentals physics 8e halliday resnick walker pdf - Apr 14 2022

web buy fundamentals of physics extended 8th edition 9780471758013 by david halliday robert resnick and jearl walker for up to 90 off at textbooks com

*fundamentals of physics extended 8th edition textbooks com* - Mar 14 2022

web apr 5 2020 addeddate 2020 04 05 07 35 59 identifier epdf pub solutions fundamentals of physics 8th edition identifier

ark ark 13960 t6n09sx5s ocr abbyy finereader 11 0

[halliday resnick walker fundamentals of physics extended](#) - Feb 22 2023

web we realize it is helpful for many instructors to have the solutions as word files so that they can edit them as they see fit therefore the word files are provided on this website the

**fundamentals of physics 8th edition solutions and answers** - Nov 21 2022

web 8th edition solutions by fundamentals of physics 8th edition edit edition 90 44115 ratings for this book s solutions get solutions looking for the textbook we have

**fundamentals of physics 8th edition textbook solutions chegg** - Oct 21 2022

web jan 1 2008 now in its tenth edition in a two volume set revised by jearl walker and under the title fundamentals of physics it is still highly regarded it is noted for its clear

**fundamentals of physics chapters 21 44 vol 2 8th edition** - Sep 19 2022

web download free pdf fundamentals of physics 8th edition fundamentals of physics 8th edition william xiong see full pdf download pdf sorry this document isn t

*halliday resnick walker fundamentals of physics* - Mar 26 2023

web are you looking for a comprehensive and engaging textbook on physics fundamentals of physics extended 8th edition by halliday resnick and walker covers all the topics of

*fundamentals of physics halliday resnick walker 8th* - Jul 30 2023

web fundamentals of physics extended 8th edition welcome to the web site for fundamentals of physics extended 8th edition by david halliday robert resnick

[pdf fundamentals of physics 8th edition academia edu](#) - Aug 19 2022

web jun 4 2007 the new eighth edition of halliday resnick and walker has been strategically revised to conquer this challenge every aspect of this revision is focused on

**solutions for fundamentals of physics 8th numerade** - Jun 16 2022

web in a breezy easy to understand style the book offers a solid understanding of fundamental physics concepts and helps readers apply this conceptual understanding to quantitative

**fundamentals of physics 8th edition with wiley plus webct** - Dec 23 2022

web find step by step solutions and answers to fundamentals of physics 9780471758013 as well as thousands of textbooks so you can move forward with confidence fresh features

*student solutions manual for fundamentals of physics 8e* - Jul 18 2022

web step by step video answers explanations by expert educators for all fundamentals of physics 8th by david halliday robert

resnick jearl walker only on numerade com

[halliday resnick walker fundamentals of physics extended 8th](#) - Jan 12 2022

web fundamentals is currently in its eighth edition and has since been handed over from halliday and resnick to jearl walker  
dr dr halliday is retired and resides in seattle

[fundamentals of physics extended 11th edition wiley](#) - Dec 11 2021

web welcome to the web site for fundamentals of physics extended 8th edition by david halliday robert resnick and jearl walker this web site gives you access to the rich

[halliday resnick walker fundamentals of physics extended](#) - Jan 24 2023

web mar 27 2007 fundamentals of physics 8th edition with wiley plus webct powerpack set wiley plus products series  
author david halliday edition revised publisher john

**fundamentals of physics 8e 8th edition david halliday** - May 16 2022

web jearl walker robert resnick david halliday s fundamentals of physics 8th edition the fundamental laws used in developing theories are expressed in the language of

**fundamentals of physics extended 8th edition wiley** - Jun 28 2023

web fundamentals of physics extended 8th ed halliday resnick walker wiley india pvt limited 2008 1224 pages market desc  
physicists physics students

**fundamentals of physics extended 8th edition** - Aug 31 2023

web fundamentals of physics halliday resnick walker 8th edition pdf google drive

**fundamentals of physics 8th edition amazon com** - Oct 09 2021

**fundamentals of physics extended 8th edition** - Nov 09 2021

web apr 6 2007 amazon com fundamentals of physics 9780470044728 halliday david books books new used rental textbooks  
science mathematics enjoy fast

**epdf pub solutions fundamentals of physics 8th edition** - Feb 10 2022

web fundamentals of physics extended 8th edition more 30 97 mb fundamentals of physics extended 9th edition solution  
fundamentals of fundamentals of physics 9e

[fundamentals of physics extended 8th ed google](#) - May 28 2023

web mar 9 2007 fundamentals of physics extended 8th edition by david halliday author robert resnick author jearl walker  
author 4 3 136 ratings

[fundamentals of physics extended 8th edition](#) - Apr 26 2023

web fundamentals of physics extended 8th edition home browse by chapter browse by chapter browse by resource browse by resource more information more

*exercices ra c solus matha c matiques 1re s analy full pdf* - Nov 25 2022

web exercices ra c solus matha c matiques 1re s analy 1 2 jh may 19 2022 written primarily in greek 1899 1976 edition science education in canada sep 30 2020 this

*sujets de mathématiques niveau première c fomesoutra com* - Sep 04 2023

web télécharger pdf sujet de mathématique première c lycée classique 2021 2022 1055 téléchargements populaires télécharger pdf devoir de mathématique niveau

*exercices résolus mathématiques 1re s analyse by claudine* - Aug 03 2023

web exercices résolus mathématiques 1re s analyse by claudine renard geneviève roche exercices résolus mathématiques 1re s analyse by claudine renard geneviève

**exercices ra c solus matha c matiques 1re s ga c pdf 2023** - Sep 23 2022

web 1 exercices ra c solus matha c matiques 1re s ga c pdf if you ally obsession such a referred exercices ra c solus matha c matiques 1re s ga c pdf ebook that will offer you worth get the agreed best seller from us currently from several preferred authors

*exercices résolus mathématiques 1re es by claudine renard* - Nov 13 2021

web cours etudes de cas exercices résolus au format pdf et epub ces deux branches des mathématiques sont ici exposées à la fois sous l'angle de l'explication

*exercices ra c solus matha c matiques 1re s analy* - Oct 05 2023

web exercices ra c solus matha c matiques 1re s analy maths 3e cycle 4 mission indigo mar 20 2021 un cahiers de 72 pages avec une quantité d'exercices réaliste et faisable

**exercices ra c solus matha c matiques 1re s ga c pdf** - Dec 27 2022

web 4 exercices ra c solus matha c matiques 1re s ga c 2023 09 01 commentators jürgen habermas among other topics he addresses the consequences of german history the

**exercices ra c solus matha c matiques 1re s analy** - Feb 26 2023

web recognizing the pretentiousness ways to acquire this ebook exercices ra c solus matha c matiques 1re s analy is additionally useful you have remained in right site to begin

**read free exercices ra c solus matha c matiques 1re s analy** - Jan 16 2022

web exercices ra c solus matha c matiques 1re s analy cahier de maths 4e mission indigo jan 08 2020 un cahiers de 72 pages avec une quantité d'exercices réaliste et faisable

---

[exercices résolus mathématiques 1ère s tome 2 by collectif](#) - Dec 15 2021

web this article is a study which consists of developing and validating the method of exos ra solus physique 1re s laccord du participe passa ra uml gles exercices et corrige s

[exercices ra c solus matha c matiques 1re s ga c](#) - Jan 28 2023

web exercices ra c solus matha c matiques 1re s ga c 3 3 commentators jürgen habermas among other topics he addresses the consequences of german history the

**rs aggarwal class 10 math first chapter real numbers** - Feb 14 2022

web may 30 2022 math articles and formulas grade 1 to 10 math symbols chemistry formulas physics formulas modern periodic table 118 elements and details

[exercices ra c solus matha c matiques 1re s ga c pdf pdf](#) - Apr 30 2023

web exercices ra c solus matha c matiques 1re s ga c pdf as recognized adventure as skillfully as experience not quite lesson amusement as capably as understanding can

**exercices ra c solus matha c matiques 1re s analy averroës** - Jul 02 2023

web merely said the exercices ra c solus matha c matiques 1re s analy is universally compatible with any devices to read exploring scanning probe microscopy with

*maths arithmetique exercices corrige* - Mar 18 2022

web mar 31 2020 epreuves zÉro fascicules corrigÉs 6ème 5ème 4ème maths denombrements exercices corrige premiÈre a c d maths les

[exercices ra c solus matha c matiques 1re s analy pdf](#) - May 20 2022

web mar 26 2023 exercices ra c solus matha c matiques 1re s analy 2 7 downloaded from uniport edu ng on march 26 2023 by guest problems in distributions and partial

*exercices ra c solus matha c matiques 1re s ga c georges* - Jun 01 2023

web exercices ra c solus matha c matiques 1re s ga c recognizing the habit ways to get this ebook exercices ra c solus matha c matiques 1re s ga c is additionally useful

[exercices ra c solus matha c matiques 1re es pdf copy](#) - Jul 22 2022

web exercices ra c solus matha c matiques 1re es pdf pages 2 29 exercices ra c solus matha c matiques 1re es pdf upload jason s robertson 2 29 downloaded from

*exercices ra c solus matha c matiques 1re es book* - Mar 30 2023

web exercices ra c solus matha c matiques 1re es j g confessio catholica in qua doctrina catholica et evangelica quam ecclesiae augustanae confessioni addictae

*exercices ra c solus matha c matiques 1re s analy pdf free* - Oct 25 2022

web about this book *exercices ra c solus matha c matiques 1re s analy pdf free* page 5 acknowledgments page 8 about the author page 8 disclaimer page 8 1 promise basics

*ebook exercices ra c solus matha c matiques 1re s analy* - Aug 23 2022

web *exercices ra c solus matha c matiques 1re s analy las siete partidas del muy noble rey don alfonso el sabio* aug 29 2020  
conciliorum collectio regia maxima sive acta

*bac c madagascar serie c examens corriges pdf* - Apr 18 2022

web *exercice et corrig eacute s emprunt obigataire cas khi dernier recherche inpt concour plasmolyse franais 2012 mada6 corrig eacute bac 2012 transmath 5 2016 transmath 5*

*exercices ra c solus matha c matiques 1a re s tom beta atanet* - Jun 20 2022

web *exercices ra c solus matha c matiques 1a re s tom biographical sketches of the graduates of yale college dinosaurs and other extinct saurians the translator s*