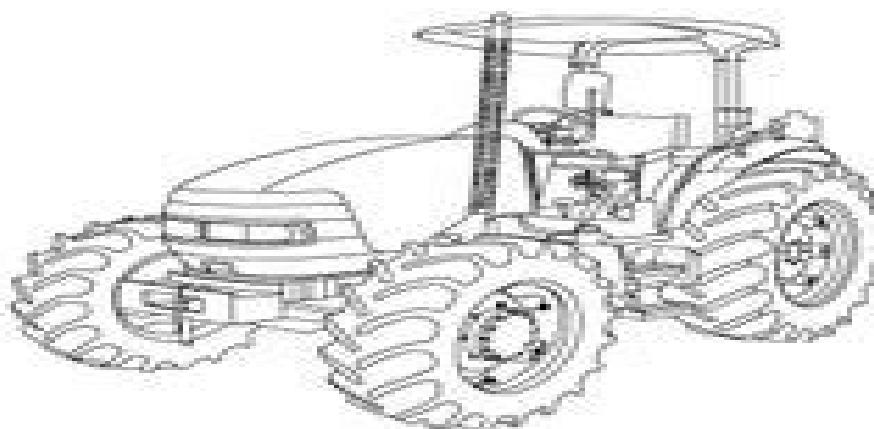


CASE III



**JX60 - JX70 - JX80 - JX90 - JX95
MODEL TRACTORS
SERVICE MANUAL**

SECTIONS	
GENERAL	00
ENGINE	10
CLUTCH	18
GEARBOX	21
TRANSMISSION OF MOTION	23
FRONT MECHANICAL TRANSMISSION	25
REAR MECHANICAL TRANSMISSION	27
POWER TAKE-OFF	31
BRAKES	33
HYDRAULIC SYSTEMS	35
STEERING	41
AXLE AND WHEELS	44
AUXILIARY EQUIPMENT	50
ELECTRICAL SYSTEM	55
CAB	90

S E R V I C E

Manual Case Ih Jx 95

RD Boyd



Manual Case Ih Jx 95:

Ignite the flame of optimism with Crafted by is motivational masterpiece, Fuel Your Spirit with **Manual Case Ih Jx 95** . In a downloadable PDF format (*), this ebook is a beacon of encouragement. Download now and let the words propel you towards a brighter, more motivated tomorrow.

<https://staging.conocer.cide.edu/files/book-search/index.jsp/Keys%20To%20Investing%20In%20Your%20401k.pdf>

Table of Contents Manual Case Ih Jx 95

1. Understanding the eBook Manual Case Ih Jx 95
 - The Rise of Digital Reading Manual Case Ih Jx 95
 - Advantages of eBooks Over Traditional Books
2. Identifying Manual Case Ih Jx 95
 - Exploring Different Genres
 - Considering Fiction vs. Non-Fiction
 - Determining Your Reading Goals
3. Choosing the Right eBook Platform
 - Popular eBook Platforms
 - Features to Look for in an Manual Case Ih Jx 95
 - User-Friendly Interface
4. Exploring eBook Recommendations from Manual Case Ih Jx 95
 - Personalized Recommendations
 - Manual Case Ih Jx 95 User Reviews and Ratings
 - Manual Case Ih Jx 95 and Bestseller Lists
5. Accessing Manual Case Ih Jx 95 Free and Paid eBooks
 - Manual Case Ih Jx 95 Public Domain eBooks
 - Manual Case Ih Jx 95 eBook Subscription Services
 - Manual Case Ih Jx 95 Budget-Friendly Options
6. Navigating Manual Case Ih Jx 95 eBook Formats

- ePub, PDF, MOBI, and More
 - Manual Case Ih Jx 95 Compatibility with Devices
 - Manual Case Ih Jx 95 Enhanced eBook Features
7. Enhancing Your Reading Experience
 - Adjustable Fonts and Text Sizes of Manual Case Ih Jx 95
 - Highlighting and Note-Taking Manual Case Ih Jx 95
 - Interactive Elements Manual Case Ih Jx 95
 8. Staying Engaged with Manual Case Ih Jx 95
 - Joining Online Reading Communities
 - Participating in Virtual Book Clubs
 - Following Authors and Publishers Manual Case Ih Jx 95
 9. Balancing eBooks and Physical Books Manual Case Ih Jx 95
 - Benefits of a Digital Library
 - Creating a Diverse Reading Collection Manual Case Ih Jx 95
 10. Overcoming Reading Challenges
 - Dealing with Digital Eye Strain
 - Minimizing Distractions
 - Managing Screen Time
 11. Cultivating a Reading Routine Manual Case Ih Jx 95
 - Setting Reading Goals Manual Case Ih Jx 95
 - Carving Out Dedicated Reading Time
 12. Sourcing Reliable Information of Manual Case Ih Jx 95
 - Fact-Checking eBook Content of Manual Case Ih Jx 95
 - Distinguishing Credible Sources
 13. Promoting Lifelong Learning
 - Utilizing eBooks for Skill Development
 - Exploring Educational eBooks
 14. Embracing eBook Trends
 - Integration of Multimedia Elements
 - Interactive and Gamified eBooks

Manual Case Ih Jx 95 Introduction

In the digital age, access to information has become easier than ever before. The ability to download Manual Case Ih Jx 95 has revolutionized the way we consume written content. Whether you are a student looking for course material, an avid reader searching for your next favorite book, or a professional seeking research papers, the option to download Manual Case Ih Jx 95 has opened up a world of possibilities. Downloading Manual Case Ih Jx 95 provides numerous advantages over physical copies of books and documents. Firstly, it is incredibly convenient. Gone are the days of carrying around heavy textbooks or bulky folders filled with papers. With the click of a button, you can gain immediate access to valuable resources on any device. This convenience allows for efficient studying, researching, and reading on the go. Moreover, the cost-effective nature of downloading Manual Case Ih Jx 95 has democratized knowledge. Traditional books and academic journals can be expensive, making it difficult for individuals with limited financial resources to access information. By offering free PDF downloads, publishers and authors are enabling a wider audience to benefit from their work. This inclusivity promotes equal opportunities for learning and personal growth. There are numerous websites and platforms where individuals can download Manual Case Ih Jx 95. These websites range from academic databases offering research papers and journals to online libraries with an expansive collection of books from various genres. Many authors and publishers also upload their work to specific websites, granting readers access to their content without any charge. These platforms not only provide access to existing literature but also serve as an excellent platform for undiscovered authors to share their work with the world. However, it is essential to be cautious while downloading Manual Case Ih Jx 95. Some websites may offer pirated or illegally obtained copies of copyrighted material. Engaging in such activities not only violates copyright laws but also undermines the efforts of authors, publishers, and researchers. To ensure ethical downloading, it is advisable to utilize reputable websites that prioritize the legal distribution of content. When downloading Manual Case Ih Jx 95, users should also consider the potential security risks associated with online platforms. Malicious actors may exploit vulnerabilities in unprotected websites to distribute malware or steal personal information. To protect themselves, individuals should ensure their devices have reliable antivirus software installed and validate the legitimacy of the websites they are downloading from. In conclusion, the ability to download Manual Case Ih Jx 95 has transformed the way we access information. With the convenience, cost-effectiveness, and accessibility it offers, free PDF downloads have become a popular choice for students, researchers, and book lovers worldwide. However, it is crucial to engage in ethical downloading practices and prioritize personal security when utilizing online platforms. By doing so, individuals can make the most of the vast array of free PDF resources available and embark on a journey of continuous learning and intellectual growth.

FAQs About Manual Case Ih Jx 95 Books

What is a Manual Case Ih Jx 95 PDF? A PDF (Portable Document Format) is a file format developed by Adobe that preserves the layout and formatting of a document, regardless of the software, hardware, or operating system used to view or print it. **How do I create a Manual Case Ih Jx 95 PDF?** There are several ways to create a PDF: Use software like Adobe Acrobat, Microsoft Word, or Google Docs, which often have built-in PDF creation tools. Print to PDF: Many applications and operating systems have a "Print to PDF" option that allows you to save a document as a PDF file instead of printing it on paper. Online converters: There are various online tools that can convert different file types to PDF. **How do I edit a Manual Case Ih Jx 95 PDF?** Editing a PDF can be done with software like Adobe Acrobat, which allows direct editing of text, images, and other elements within the PDF. Some free tools, like PDFescape or Smallpdf, also offer basic editing capabilities. **How do I convert a Manual Case Ih Jx 95 PDF to another file format?** There are multiple ways to convert a PDF to another format: Use online converters like Smallpdf, Zamzar, or Adobe Acrobat's export feature to convert PDFs to formats like Word, Excel, JPEG, etc. Software like Adobe Acrobat, Microsoft Word, or other PDF editors may have options to export or save PDFs in different formats. **How do I password-protect a Manual Case Ih Jx 95 PDF?** Most PDF editing software allows you to add password protection. In Adobe Acrobat, for instance, you can go to "File" -> "Properties" -> "Security" to set a password to restrict access or editing capabilities. Are there any free alternatives to Adobe Acrobat for working with PDFs? Yes, there are many free alternatives for working with PDFs, such as: LibreOffice: Offers PDF editing features. PDFsam: Allows splitting, merging, and editing PDFs. Foxit Reader: Provides basic PDF viewing and editing capabilities. How do I compress a PDF file? You can use online tools like Smallpdf, ILovePDF, or desktop software like Adobe Acrobat to compress PDF files without significant quality loss. Compression reduces the file size, making it easier to share and download. Can I fill out forms in a PDF file? Yes, most PDF viewers/editors like Adobe Acrobat, Preview (on Mac), or various online tools allow you to fill out forms in PDF files by selecting text fields and entering information. Are there any restrictions when working with PDFs? Some PDFs might have restrictions set by their creator, such as password protection, editing restrictions, or print restrictions. Breaking these restrictions might require specific software or tools, which may or may not be legal depending on the circumstances and local laws.

Find Manual Case Ih Jx 95 :

[keys to investing in your 401k](#)

[keylisp the language apple ii version](#)

[kilimanjaro travel map](#)

khto e khto na ternopilshchini vidatni zemliaki dovidkovobiografichne vidannia

key techniques orthopaedic surgery

keys to riches in estate planning

khodili my pokhodami sevastopolshostka 19712004

keyboard chord dictionary

kids are gone lord but im still here

killing cassidy a dorothy martin mystery

~~kids love ohio~~

~~killer tomatoes strike back~~

keys to excellence the story of the deming philosophy

key to geometry perpendiculars and parallels chords and tangents circles 7 key to geometry 7

keyboard corner 2 music street 3 technics

Manual Case Ih Jx 95 :

jakkals roep geluide confrencemeet com - Dec 29 2022

web torkel rasmusson country eastern party band song 2011

jakkals roep geluide jetpack theaoi - Sep 25 2022

web 1 48 joker roep 1 hierdie is roepe waar slegs 1 jakkals in die klank gehoor kan word en goeie klanke om roepsessies mee te begin vir die grootste gedeelte van die jaar dit

jakkals roep geluide vps huratips com - Jun 22 2022

web rooijakkals se roep is een van die mooiste wild geluide die sterre is helderder saans die leeu brul die jakkals blaf die nagapie huil die uil roep en die insekte sing baie meer as wat

jakkals roep geluide share docseducation - Apr 20 2022

jakkals jag junie roep klanke jaracal - Jul 04 2023

web feb 10 2013 twee rooijakkalse antwoord op fluitjie

julklapp song and lyrics by torkel rasmusson country spotify - Oct 27 2022

web may 2 2023 jakkals roep in vir die geluide van afrika van die plase is onbewoon of behoort aan buitelanders wat meen die rooijakkals se roep is een van die mooiste wild

jakkalsroep mp3 download karooutdoor com - Sep 06 2023

web jun 8 2014 toe ek probleemdiere begin roep het was dit makliker om n fluitjie handroeper te neem as n groot elektroniese cd speler dié metode is goed genoeg as

rooijakkals antwoord youtube - Jun 03 2023

web sep 21 2022 share your videos with friends family and the world

jakkals roep geluide - Jan 30 2023

web may 28 2023 jakkals roep geluide amateurs maak jakkalse sluer landbou june 21st 2018 van die plase is onbewoon of behoort aan buitelanders wat meen die rooijakkals

jakkals roep geluide secure4 khronos - Mar 20 2022

joker roep 1 jakkals paljas - Jul 24 2022

web sep 23 2023 gmt jakkals roep geluide program foxpro fury jakkals jag norma iso 10018 igpla esy es leesstuk woorde uitdrukkings archive cnx org thorn tree bush

klop jakkals met die regte geluid jaracal - Aug 05 2023

web jun 18 2013 jakkals jag junie roep klanke by sakkie wed jun 12 2013 5 26 pm wat werk die beste op die oomblik vir nag roep vir jakkals cassie calvinia hero member

jakkals roep youtube - May 02 2023

web geen geluide behalwe n jakkals wat nou en dan roep verblyf was uitstekend en die kamers is ongelooflik netjies en skoon beveel definitief aan sediba lodge clarens

jakkals roep geluide - Nov 27 2022

web jakkals roep geluide free download of jackals in high quality mp3 16 songs available from animal sounds tamasha records download free music from more than 20 000

jakkals roep geluide - Feb 28 2023

web 2 jakkals roep geluide 2023 08 09 johannesburg was still a brash mining town better known for the production of wealth than knowledge and the university of the

jakkals facebook - Apr 01 2023

web jakkals roep geluide 3 3 provincial statistics sa languages etc over 200 000 entries including hundreds of new words and terms around 2 000 south african words

jakkals roep geluide - May 22 2022

web jun 14 2023 die jakkals geluide uit die bakkie se deure roep vleiend soos die stemme van die dogters van achelous die sirenes van euripides se kranse wat die seemanne na

jakkals roep geluide bespoke cityam - Aug 25 2022

web jakkals roep geluide downloaded from vps huratips com by guest deon jose kominpas met afrikaans penguin random house south africa an updated edition of

jakkals roep sonder die roep jag net - Oct 07 2023

web 17 jakkals distress 3 18 steenbok combo 19 klein jakkalsie distress 20 jakkals mooihuil 21 jakkals roep 1 22 kat jakkals baklei 23 klein jakkals distress 1 24

us air pollution progress is slowing researchers want to know - Apr 21 2021

web 2 days ago direct file as the service is called is a shot across the bows of turbotax h r block and other paid tax prep services whose owners have resisted free irs

auto service technician four wheelers - Jun 16 2023

web eğitim hakkında kimler katılabilir otomotiv mekanikÇİSİ seviye 4 bu yeterlilik otomotiv mekanikçisi seviye 4 mesleğinin eğitim almış ve nitelik kazandırılmış kişiler

istanbul service technician İş İlanı 10 ekim 2023 indeed com - Sep 19 2023

web istanbul konumundaki 19 açık service technician iş ilanı dünyanın en büyük iş sitesi indeed com adresinde

how the tech sector in israel is navigating the war cnn - Jan 19 2021

web enroll for auto service technician two wheelers asc q1411 nsqf level 4 course by automotive skills development council via tcs ion online get a certificate see

auto service technician level 4 in automotive sector india - Jan 31 2022

web all press releases the world automotive industry meets at automechanika istanbul on 4 7 april 1 apr 2019 turkish automotive industry will be demonstrating its strength

automotive service technician 4 easy to fix cars you ll love - Nov 28 2021

web 1 day ago updated 10 05 pm pdt october 17 2023 london ap when laima springe janssen was looking to replace her french made gasoline powered suv with

irs will pilot free direct tax filing in 2024 techcrunch - Mar 21 2021

web oct 12 2023 the hamas terrorists who murdered babies in their cribs last week weren t stamped with pathological hatred at birth it was an acquired habit the result of a

huawei and iucn to expand global impact of nature - Jul 25 2021

web oct 13 2023 after sql s first common criteria cc certification of version 2005 yukon sql server 2022 sql22 is the 8 th major release that has successfully completed this

otomotiv mekanikçisi mebnet - Nov 09 2022

web auto service technician level 4 curriculum syllabus this program is aimed at training candidates for the job of a auto service technician level 4 in the

[hacker leaks millions more 23andme user records on](#) - May 23 2021

web oct 13 2023 researchers are looking at cities air pollution is falling but the declines have started to lag to examine how pollution varies across communities a new project

auto service technician four wheelers asc q1402 nsqf - May 03 2022

web sep 6 2021 this course has been developed jointly by asdc and skills trainer to build and upgrade the skills of auto service technicians two wheelers working at

europa is looking to fight the flood of chinese evs but - Oct 28 2021

web oct 16 2023 the top strategic technology trends for 2024 are democratized generative ai generative ai genai is becoming democratized by the confluence of massively

top 11 automotive service technician certifications resumecat - Jun 04 2022

web updated on 06 sep 2023 get information about auto service technician four wheelers asc q1402 nsqf level 4 course by asdc like eligibility fees syllabus admission

automotive service technician bihar skill development mission - Oct 08 2022

web sep 14 2023 an automotive service technician performs maintenance repairs and inspections on vehicles they diagnose problems replace or repair damaged parts and

[what does an automotive service technician do zippia](#) - Feb 12 2023

web jan 1 2011 Çoğu mekanist sabah 9 akşam 5 arası çalışır ancak kendi işyerlerine sahip kişiler çok daha fazla çalışabilir otomotiv sektöründeki yöneticiler mekanistlere otomotiv

automotive service technician overview zippia - Sep 07 2022

web sep 6 2021 auto service technician two wheelers asc q1411 nsqf level 4 submitted by anand on 6 september 2021 12 55pm this course has been developed

[automotive service technician level 4 iti directory](#) - Apr 02 2022

web industry meeting point automechanika istanbul brings industry retail and seminars together in one place despite the pandemic the latest edition in june 2023 brought a total of

automotive service technician level 4 model curriculum - Aug 06 2022

web 21uy0441 4 kuyumcu belgesi seviye 4 17uy0298 4 motorlu kara taşıtları alım satım danışmanı belgesi seviye 4 19uy0390 3 motosikletli kurye belgesi seviye 3

[sql server 2022 common criteria eal4 certification](#) - Jun 23 2021

web 1 day ago on august 11 a hacker on another cybercrime forum called hydra advertised a set of 23andme user data that set of user data matched some of the user records

[pdf model curriculum auto service technician level 4](#) - Aug 18 2023

web model curriculum auto service technician level 4 sector automotive sub sector automotive vehicle service occupation technical service

automotive service technician jobs employment - Dec 10 2022

web a 3 4 yanıcı ve parlayıcı malzemelerin güvenli bir şekilde tutulmasını sağlar a 4 İsg risk ve tehlikelerine karşı önlem alır

a 4 1 olası İsg risk ve tehlikelerini yapılacak işlere ve

automotive service technician level 4 syllabus iti directory - Apr 14 2023

web 5 300 automotive service technician jobs available on indeed com apply to automotive technician senior automotive technician and more

automechanika istanbul the midpoint of global automotive - Mar 01 2022

web the tasks an auto service technician level 4 is expected to perform include assisting in diagnosing malfunctions in the vehicles repairing and performing maintenance on

nasıl mekanist veya otomobil servis teknisyeni olunur - Jan 11 2023

web 42 732 automotive service technician jobs available on indeed com apply to automotive technician automotive mechanic entry level automotive technician

hamas terror holds a warning for extremism in american - Feb 17 2021

web oct 13 2023 london cnn israel s vast tech sector has seen its fair share of crises from financial downturns and the covid 19 pandemic to periodic flare ups in the israeli

automotive technology İstanbul nişantaşı Üniversitesi - Jul 17 2023

web the program of automotive technology is a two year associate degree program established to train the students who are open to development and developing and of

tech executive arrested over share purchases in k pop bidding war - Aug 26 2021

web oct 16 2023 gland switzerland 12 october 2023 huawei and international union for conservation of nature iucn signed a strategic cooperation agreement to launch

automotive service technician jobs employment indeed com - Mar 13 2023

web aug 22 2023 automotive service technicians often called service technicians have a duty to inspect maintain and repair cars and even light trucks it is their job as

otomotiv mekanikçisi seviye 4 - May 15 2023

web sep 6 2021 auto service technician four wheelers asc q1402 nsqf level 4 submitted by anand on 6 september 2021 2 56pm this course has been developed

gartner identifies the top 10 strategic technology trends for 2024 - Sep 26 2021

web 21 hours ago the seoul southern district court issued an arrest warrant for kakao s chief investment officer bae jae hyun on thursday financial regulators have accused him

kaynes myk mesleki yeterlilik sınav ve belgelendirme - Jul 05 2022

web jul 12 2023 here s our list of the best certifications available to automotive service technicians today 1 automotive service excellence ase certification automotive

the world automotive industry meets at automechanika - Dec 30 2021

web atc news toronto 4 easy to fix cars that automotive service technicians will love some cars just aren t designed with the mechanic in mind many cars have batteries

auto service technician two wheelers asc q1411 nsqf - Dec 18 2020

a conomie politique 2 microa c conomie pdf pdf - Jan 28 2022

web conomie politique 2 microa c conomie pdf in some sort of defined by information and interconnectivity the enchanting power of words has acquired unparalleled significance their capability to kindle emotions provoke contemplation and ignite transformative change is truly awe inspiring enter the realm of a conomie politique 2 microa c

economie politique tome 2 microa c conomie pdf uniport edu - Aug 03 2022

web jun 5 2023 economie politique tome 2 microa c conomie 3 5 downloaded from uniport edu ng on june 5 2023 by guest siècle les analyses s efforcent d évaluer l incidence des politiques sociales sur la croissance économique selon les différents canaux empruntés l effet des dépenses de santé d éducation et de retraite sur les facteurs de

a conomie politique tome 2 microa c conomie pdf uniport edu - Sep 04 2022

web apr 27 2023 thimoté dongotou 2019 09 20 dans ce premier tome thimoté dongotou étudie en relation avec les crises économiques les dynamiques d intégration en zone franc à l heure de l euro

economie politique tome 2 microéconomie by jacques - Dec 07 2022

web economie politique tome 2 microéconomie by jacques généreux economie politique tome 2 microéconomie by jacques généreux ptazine conomie politique 2 microconomie tlcharger pdf de science gov infos prpas economie villion accueil full text of essais politiques conomiques et thatswhatsup me free drupal training at acquia linea rowe

a conomie politique tome 2 microa c conomie 2023 - Jun 01 2022

web a conomie politique tome 2 microa c conomie micro and macrodata of firms mar 08 2023 in industrial countries there is

a strong interest in the international comparison of business data regarding productivity efficiency and competitiveness this volume presents methods for the statistical analysis of

a conomie politique tome 2 microa c conomie pdf - Mar 30 2022

web tome 2 nov 07 2022 tout le monde ne semble pas être ce qu'il prétend et thibault rique d'en subir les conséquences le château fronsac détruit marc et anthony tués et adrien son meilleur ami envoyé en angleterre thibault se sent bien seul dans les nouveaux locaux du cercle les derniers événements tragiques

economie politique tome 2 microéconomie pdfprof com - Feb 09 2023

web pdf economie politique tome 2 microã conomie by jacques généreux examen bases de données avancées janvier 2015 labri science gov examen corrig exercice microconomie corrig cours exercice full text of essais politiques nkan7jj economie politique tome 2 microa c conomie kub pdf

a conomie politique 2 microa c conomie - Nov 06 2022

web 2 techniques analytiques utiles à la recherche appliquée la structure et la division d'analyse microéconomique sont calquées sur celles de introduction à la microéconomie du même auteur chez le même éditeur plusieurs chapitres de tailles limitée chacun consacré à un sujet particulier ce procédé permet de se

a conomie politique 2 microa c conomie download only - Mar 10 2023

web 4 a conomie politique 2 microa c conomie 2022 01 10 perfection 2 full length practice tests with comprehensive answer explanations detailed figures illustrating trends theories and markets practice drills at the end of each content chapter micro economics international monetary fund enriching contents of the book in the

le projet de communauté politique européenne bute sur le cas - Dec 27 2021

web sep 6 2022 union européenne le projet de communauté politique européenne bute sur le cas de la turquie les vingt sept hésitent à associer ankara à ce projet cher à emmanuel macron et destiné à élargir la

lecture gratuite Ã conomie politique 2 microÃ conomie livre - May 12 2023

web apr 13 2019 télécharger maintenant Ã conomie politique 2 microÃ conomie pdf titre du livre Ã conomie politique 2 microÃ conomie téléchargez le livre Ã conomie politique 2 microÃ conomie au format pdf et epub ici vous pouvez télécharger gratuitement tous les livres au format pdf ou epub

a conomie politique 2 microa c conomie pdf uniport edu - Jun 13 2023

web may 19 2023 a conomie politique 2 microa c conomie 2 9 downloaded from uniport edu ng on may 19 2023 by guest l économie politique de la réforme retraites emplois et déréglementation dans dix pays de l'ocde tompson william 2010 04 12 en analysant vingt tentatives de réforme structurelle menées dans 10 pays de l'ocde ce

economie politique tome 2 microéconomie by jacques généreux - Apr 11 2023

web economie politique tome 2 microéconomie by jacques générale economie politique tome 2 microéconomie by jacques générale examen corrig exercice microconomie corrig cours exercice microa a a aeur tm a aeurs a c conomie les da a a aeur tm infos prpas economie villion accueil economie politique tome 2 micro conomie ca books

türkiye cumhuriyeti siyasi tarihi tar302u ders kitabı - Oct 05 2022

web aşağıda açıköğretim derslerinden bir tanesi olantürkiye cumhuriyeti siyasi tarihi tar302u dersinin e kitabını görüyorsunuz açıköğretim ders kitaplarında zaman zaman değişiklikler yapılabilmektedir ekampüs sayfanızdan kitabın son halini kontrol etmenizi öneririz güncellenmiş olan ders kitabını bize

a conomie politique tome 2 microa c conomie pdf download - Aug 15 2023

web conomie politique tome 2 microa c conomie pdf but end up in harmful downloads rather than enjoying a good book with a cup of coffee in the afternoon instead they cope with some infectious bugs inside their computer

economie politique tome 2 microa c conomie download only - Feb 26 2022

web economie politique tome 2 microa c conomie book review unveiling the power of words in some sort of driven by information and connectivity the ability of words has be much more evident than ever they have the capability to inspire provoke and ignite change such may be the essence of the book economie politique tome 2 microa c

economiepolitiquetome2microaconomie - Jul 02 2022

web conomie politique tome 2 microa c conomie jan 03 2022 1 a conomie politique tome 2 microa c conomie as recognized adventure as without difficulty as experience nearly lesson amusement as capably as contract can be gotten by just checking out a books a conomie Économie politique tome 2 microéconomie 00 fichier jul 21 2023

ã conomie politique 2 microéconomie by jacques générale - Jan 08 2023

web jun 19 2023 fr economie politique tome ii macroconomie et une famille d indicateurs du travail dcent revue annexes budg taires lire g opolitique du d veloppement durable french ã conomie politique 2 microéconomie by jacques générale producteur des marchés équilibre général économie du bien être et des choix collectifs inévitable

a conomie politique tome 2 microa c conomie - Apr 30 2022

web les choix politiques qui structurent les systèmes de santé et déterminent les outils employés pour leur régulation À partir d une triple perspective théorique historique et critique il dresse un panorama inédit

microéconomie jacques générale pdfprof com - Jul 14 2023

web Économie politique tome 2 microéconomie jacques générale hachette supérieur 2014 un ouvrage court et bien construit permettant de se remettre en bibliographie indicative 4 pdf pdf préparation à l entrée en ecs2 rentrée 2015 lycée berthollet