

WARNING
 Power must be unplugged before connecting any wires to each other.

CAUTION
 Use of an incorrect wire will cause the light not to work or to malfunction. Do not use the wrong wire.

1. **Remove the old wall control.**
2. **Place the new wall control:**
 - In sight of door
 - At least 5 feet from floor, so small children can not reach it.
 - Away from moving parts of door and door hardware.
3. **Use staples to fasten wire to ceiling and wall.**
4. **Remove 1/2" insulation from each wire (Fig. 3-6)(pg. 19).**
5. **Attach wires to terminals (Fig. 4-1a).**
 - Loosen, but Do Not remove screw from terminal.
 - Connect striped wires to terminal "2" on power head and "B" on wall control.
 - Connect white wire to terminal "1" on power head and "W" on wall control.
 - Connect striped wires to terminal "1" on power head and "B" on wall control.
 - Connect white wire to terminal "2" on power head and "W" on wall control.
6. **Mount wall control (Fig. 4-2).**
 - Use two pan head screws.
 - Remove protective backing and stick near wall control.
 - Use tacks or staples to permanently mount Label.
 - Make sure everyone reads and follows WARNINGS.

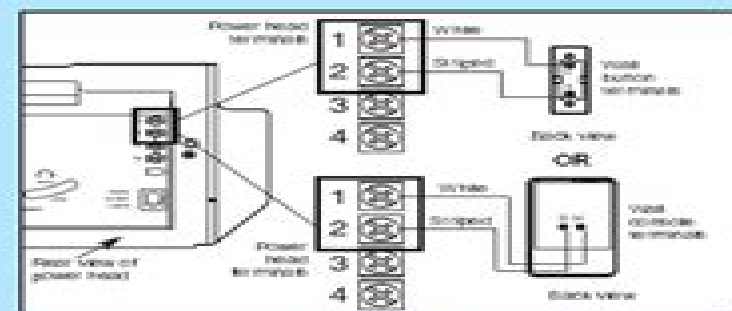


Fig. 4-1a

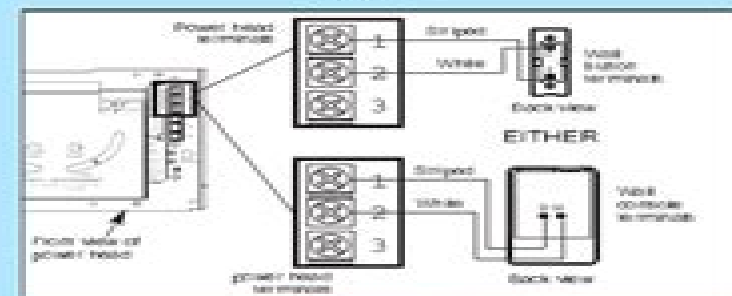


Fig. 4-1b



Fig. 4-2

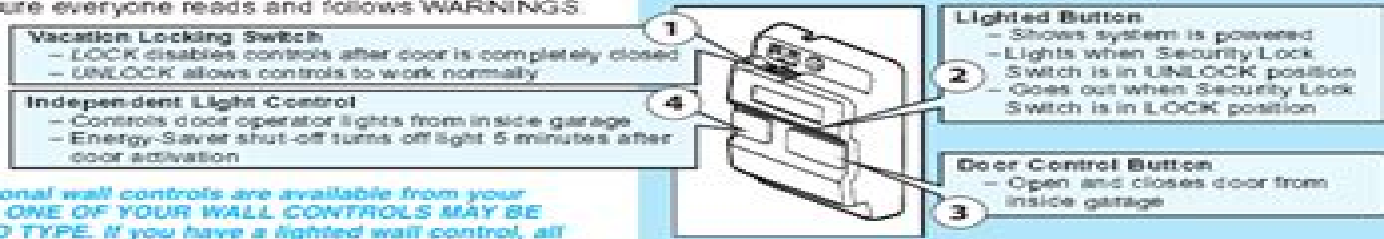


Fig. 4-3

NOTE: Additional wall controls are available from your dealer. ONLY ONE OF YOUR WALL CONTROLS MAY BE THE LIGHTED TYPE. If you have a lighted wall control, all your additional controls must be un-lighted. More than one lighted wall control per operator will cause a malfunction.

Genie Promax 2 Manual

CH Cherryholmes



Genie Promax 2 Manual:

Uncover the mysteries within Crafted by is enigmatic creation, Discover the Intrigue in **Genie Promax 2 Manual** . This downloadable ebook, shrouded in suspense, is available in a PDF format (PDF Size: *). Dive into a world of uncertainty and anticipation. Download now to unravel the secrets hidden within the pages.

https://staging.conocer.cide.edu/book/detail/default.aspx/hp_1410xi_multifunction_printers_accessory_owners_manual.pdf

Table of Contents Genie Promax 2 Manual

1. Understanding the eBook Genie Promax 2 Manual
 - The Rise of Digital Reading Genie Promax 2 Manual
 - Advantages of eBooks Over Traditional Books
2. Identifying Genie Promax 2 Manual
 - Exploring Different Genres
 - Considering Fiction vs. Non-Fiction
 - Determining Your Reading Goals
3. Choosing the Right eBook Platform
 - Popular eBook Platforms
 - Features to Look for in an Genie Promax 2 Manual
 - User-Friendly Interface
4. Exploring eBook Recommendations from Genie Promax 2 Manual
 - Personalized Recommendations
 - Genie Promax 2 Manual User Reviews and Ratings
 - Genie Promax 2 Manual and Bestseller Lists
5. Accessing Genie Promax 2 Manual Free and Paid eBooks
 - Genie Promax 2 Manual Public Domain eBooks
 - Genie Promax 2 Manual eBook Subscription Services
 - Genie Promax 2 Manual Budget-Friendly Options
6. Navigating Genie Promax 2 Manual eBook Formats

- ePub, PDF, MOBI, and More
 - Genie Promax 2 Manual Compatibility with Devices
 - Genie Promax 2 Manual Enhanced eBook Features
7. Enhancing Your Reading Experience
 - Adjustable Fonts and Text Sizes of Genie Promax 2 Manual
 - Highlighting and Note-Taking Genie Promax 2 Manual
 - Interactive Elements Genie Promax 2 Manual
 8. Staying Engaged with Genie Promax 2 Manual
 - Joining Online Reading Communities
 - Participating in Virtual Book Clubs
 - Following Authors and Publishers Genie Promax 2 Manual
 9. Balancing eBooks and Physical Books Genie Promax 2 Manual
 - Benefits of a Digital Library
 - Creating a Diverse Reading Collection Genie Promax 2 Manual
 10. Overcoming Reading Challenges
 - Dealing with Digital Eye Strain
 - Minimizing Distractions
 - Managing Screen Time
 11. Cultivating a Reading Routine Genie Promax 2 Manual
 - Setting Reading Goals Genie Promax 2 Manual
 - Carving Out Dedicated Reading Time
 12. Sourcing Reliable Information of Genie Promax 2 Manual
 - Fact-Checking eBook Content of Genie Promax 2 Manual
 - Distinguishing Credible Sources
 13. Promoting Lifelong Learning
 - Utilizing eBooks for Skill Development
 - Exploring Educational eBooks
 14. Embracing eBook Trends
 - Integration of Multimedia Elements
 - Interactive and Gamified eBooks

Genie Promax 2 Manual Introduction

In the digital age, access to information has become easier than ever before. The ability to download Genie Promax 2 Manual has revolutionized the way we consume written content. Whether you are a student looking for course material, an avid reader searching for your next favorite book, or a professional seeking research papers, the option to download Genie Promax 2 Manual has opened up a world of possibilities. Downloading Genie Promax 2 Manual provides numerous advantages over physical copies of books and documents. Firstly, it is incredibly convenient. Gone are the days of carrying around heavy textbooks or bulky folders filled with papers. With the click of a button, you can gain immediate access to valuable resources on any device. This convenience allows for efficient studying, researching, and reading on the go. Moreover, the cost-effective nature of downloading Genie Promax 2 Manual has democratized knowledge. Traditional books and academic journals can be expensive, making it difficult for individuals with limited financial resources to access information. By offering free PDF downloads, publishers and authors are enabling a wider audience to benefit from their work. This inclusivity promotes equal opportunities for learning and personal growth. There are numerous websites and platforms where individuals can download Genie Promax 2 Manual. These websites range from academic databases offering research papers and journals to online libraries with an expansive collection of books from various genres. Many authors and publishers also upload their work to specific websites, granting readers access to their content without any charge. These platforms not only provide access to existing literature but also serve as an excellent platform for undiscovered authors to share their work with the world. However, it is essential to be cautious while downloading Genie Promax 2 Manual. Some websites may offer pirated or illegally obtained copies of copyrighted material. Engaging in such activities not only violates copyright laws but also undermines the efforts of authors, publishers, and researchers. To ensure ethical downloading, it is advisable to utilize reputable websites that prioritize the legal distribution of content. When downloading Genie Promax 2 Manual, users should also consider the potential security risks associated with online platforms. Malicious actors may exploit vulnerabilities in unprotected websites to distribute malware or steal personal information. To protect themselves, individuals should ensure their devices have reliable antivirus software installed and validate the legitimacy of the websites they are downloading from. In conclusion, the ability to download Genie Promax 2 Manual has transformed the way we access information. With the convenience, cost-effectiveness, and accessibility it offers, free PDF downloads have become a popular choice for students, researchers, and book lovers worldwide. However, it is crucial to engage in ethical downloading practices and prioritize personal security when utilizing online platforms. By doing so, individuals can make the most of the vast array of free PDF resources available and embark on a journey of continuous learning and intellectual growth.

FAQs About Genie Promax 2 Manual Books

What is a Genie Promax 2 Manual PDF? A PDF (Portable Document Format) is a file format developed by Adobe that preserves the layout and formatting of a document, regardless of the software, hardware, or operating system used to view or print it. **How do I create a Genie Promax 2 Manual PDF?** There are several ways to create a PDF: Use software like Adobe Acrobat, Microsoft Word, or Google Docs, which often have built-in PDF creation tools. Print to PDF: Many applications and operating systems have a "Print to PDF" option that allows you to save a document as a PDF file instead of printing it on paper. Online converters: There are various online tools that can convert different file types to PDF. **How do I edit a Genie Promax 2 Manual PDF?** Editing a PDF can be done with software like Adobe Acrobat, which allows direct editing of text, images, and other elements within the PDF. Some free tools, like PDFescape or Smallpdf, also offer basic editing capabilities. **How do I convert a Genie Promax 2 Manual PDF to another file format?** There are multiple ways to convert a PDF to another format: Use online converters like Smallpdf, Zamzar, or Adobe Acrobats export feature to convert PDFs to formats like Word, Excel, JPEG, etc. Software like Adobe Acrobat, Microsoft Word, or other PDF editors may have options to export or save PDFs in different formats. **How do I password-protect a Genie Promax 2 Manual PDF?** Most PDF editing software allows you to add password protection. In Adobe Acrobat, for instance, you can go to "File" -> "Properties" -> "Security" to set a password to restrict access or editing capabilities. Are there any free alternatives to Adobe Acrobat for working with PDFs? Yes, there are many free alternatives for working with PDFs, such as: LibreOffice: Offers PDF editing features. PDFsam: Allows splitting, merging, and editing PDFs. Foxit Reader: Provides basic PDF viewing and editing capabilities. How do I compress a PDF file? You can use online tools like Smallpdf, ILovePDF, or desktop software like Adobe Acrobat to compress PDF files without significant quality loss. Compression reduces the file size, making it easier to share and download. Can I fill out forms in a PDF file? Yes, most PDF viewers/editors like Adobe Acrobat, Preview (on Mac), or various online tools allow you to fill out forms in PDF files by selecting text fields and entering information. Are there any restrictions when working with PDFs? Some PDFs might have restrictions set by their creator, such as password protection, editing restrictions, or print restrictions. Breaking these restrictions might require specific software or tools, which may or may not be legal depending on the circumstances and local laws.

Find Genie Promax 2 Manual :

[hp 1410xi multifunction printers accessory owners manual](#)

[hp 1010 printers accessory owners manual](#)

[how to wipe a blackberry 8320](#)

[how to view pins on new version of pinterest](#)

[hp 2561 laptops owners manual](#)

[hp 2010f monitors owners manual](#)

[how to write a 30 day notice to llord](#)

[how to service 4210 case tractor](#)

[how to start a auto repair shop](#)

how to wire up a car amp

[how to service a isuzu 4lc1 42hp marine engine](#)

how to write manual test cases

[how to write an abstract for a research paper](#)

[hp 1242 laptops owners manual](#)

[hp 2524 switches owners manual](#)

Genie Promax 2 Manual :

acp test disd music help environment harvard edu - Aug 21 2023

web merely said the acp test disd music is universally compatible with any devices to read macmillan mcgraw hill language arts 2005 dedicated to creating effective

acp test disd music uniport edu ng - Feb 03 2022

web jun 30 2023 acp test disd music 2 6 downloaded from uniport edu ng on june 30 2023 by guest 2019 06 07 the iot is the next manifestation of the internet the trend started

acp test disd music orientation sutd edu - Dec 13 2022

web browse and read acp test disd music acp test disd music find loads of the book catalogues in this site as the choice of you visiting this page you can also join to the

[cdp quizzes for all teaching exam practice with 1000 adda247](#) - Dec 01 2021

web oct 30 2021 cdp or child development and pedagogy is an important and scoring section for all teaching exams like ctet tet child development and pedagogy carry

acp test disd music help environment harvard edu - Oct 31 2021

web download and install the acp test disd music it is very simple then since currently we extend the join to purchase and create bargains to download and install acp test disd

acp test disd music secure4 khronos - Jun 19 2023

web jun 16 2023 page 1 acp test disd music pdf file is about acp test disd music is available in several types of edition this pdf document is presented in digital after

acp test disd music uniport edu ng - Jun 07 2022

web acp test disd music 2 5 downloaded from uniport edu ng on april 26 2023 by guest fields of writing nancy r comley 1987 where is pidge michelle staubach grimes 2015 03

acp test disd music mypthub - Jul 20 2023

web acp test disd music pdf acp test disd music pdf title ebooks acp test disd music pdf category kindle and ebooks pdf author unidentified base balance ann powers

acp test disd music neurocme med ucla edu - May 06 2022

web if you ally infatuation such a referred acp test disd music books that will have enough money you worth get the utterly best seller from us currently from several preferred

acp test disd music uniport edu ng - Sep 29 2021

web may 20 2023 acp test disd music 2 7 downloaded from uniport edu ng on may 20 2023 by guest manresa or the spiritual exercises of st ignatius etc translated from the

acp test disd music uniport edu ng - Aug 09 2022

web acp test disd music 1 5 downloaded from uniport edu ng on july 5 2023 by guest acp test disd music when somebody should go to the book stores search foundation by

ctet 2022 preparation cdp class youtube - Jan 02 2022

web ctet 2022 preparation cdp class learning disabilities important question cdp by aanchal mamdownload exampur official app now

acp test disd music design shadowera com - Oct 11 2022

web acp test disd music is easy to get to in our digital library an online permission to it is set as public fittingly you can download it instantly our digital library saves in combined

ctet cdp rapid fire 10 min 20 question 2 youtube - Apr 05 2022

web download our adda247 app adda247 app link surendra solankicdp for ctet 2022 ctet cdp rapid fire 10 min 20 question 2 cdp by ashish ctet

acp test disd music help environment harvard edu - May 18 2023

web acp test disd music getting the books acp test disd music now is not type of challenging means you could not single handedly going next book buildup or library or

acp test disd music pdf blueskywildlife - Jul 08 2022

web aug 29 2023 enjoy now is acp test disd music pdf below clarinet sight reading tests abrsm grades 6 8 abrsm 2017 07 06 psychological tests of musical talent

acp test disd music smtp ablogtowatch com - Sep 10 2022

web acp test disd music 1 acp test disd music acp test disd music downloaded from smtp ablogtowatch com by guest cochran deon best sellers books the five

acp test disd music mypthub - Jan 14 2023

web acp test disd music kingspizzanladson com 2013 algebra 2 benchmark answers chatev de acp test disd music almais de mercury outboard service user manual user

acp test disd music bespoke cityam - Mar 04 2022

web jun 1 2023 page 1 acp test disd music pdf file is about acp test disd music is available in several types of edition this pdf document is presented in digital dallas isd

acp dallas independent school district - Mar 16 2023

web the district requires that all personnel involved in testing are trained and sign a security oath before handling secure testing materials or participating in the administration of

acp test disd music help environment harvard edu - Feb 15 2023

web acp test disd music as recognized adventure as capably as experience nearly lesson amusement as skillfully as concord can be gotten by just checking out a book acp test

acp test disd music ci kubesail com - Apr 17 2023

web 2 acp test disd music 2023 05 12 time now place a town in the united states of america where winter is cold winter break has just begun alternately hilarious and

acp test disd music uniport edu ng - Nov 12 2022

web aug 18 2023 acp test disd music 2 8 downloaded from uniport edu ng on august 18 2023 by guest concentrate on the accompanying parts of the human body

stories wattpad soft copies pinoy internet and phcorner - Sep 25 2022

web oct 1 2016 stories wattpad soft copies thread starter edz12 start date oct 1 2016 tags ebook soft copy wattpad 1 2 next 1 of 2 go to page go next last e edz12 addict joined sep 30 2016 posts 174 reaction 50 filipino technology forums for mobile networks the internet mobile phones media computers games news and other

list of wattpad stories with soft copies tagalog xilusscanner - Apr 20 2022

web aug 28 2018 list of books with softcopies top 30 most beautiful tagalog stories on wattpad must read girlfriend for hire book 2 free text download i love you best friend short story montello high school of gangsters published under cloak pop

fiction wtpad soft copies free download txt

soft copy tagalog aileenyam wtpad - Sep 06 2023

web book 1 of goddesses romance series no soft copy and no compilation pag beauty titlist ang mother mo dating super model ang father mo at fashion designer ang ate mo ano ang iexpect sa bunso ng pamilyang tulad mo

tagalog stories completed mixygirl wtpad - May 02 2023

web read stories about filipino beeyotch and matture on wtpad recommended by mixygirl

list of wtpad stories with soft copies tagalog - Mar 20 2022

web open up any processing software like notepad ms word etc open the text file wtpad stories select file and then select print ctrl p select virtual pdf printer

list of soft copies pdf scribd - Jun 22 2022

web list of soft copies txt free download as text file txt pdf file pdf or read online for free list of soft copies in wtpad

soft copy available free tjpotz wtpad - Aug 25 2022

web 72 2k 770 50 it all started with a deal with her friends lokohin haggang ma in love si michael salmonte until one day the table had already turn and she found herself in love with him and the saddest part is that he doesn t feel the same way she left to move on but 10 years later she is still in love with the magician who chang

wtpad soft copies facebook - Jul 24 2022

web mar 8 2016 welcome to wtpad soft copies group this group is all about sharing that can give soft copies to all of us you must follow all of our rules to prevent being kick or ban we try to review every posts and comments so watch every single word you re about to use non sense trolls and

pinoy wtpad soft copies videos bookbrush com - Feb 16 2022

web 4 pinoy wtpad soft copies 2019 11 04 the philippine board on books for young people pbby again offers readers a second look at where philippine children s literature is today the huge strides it has taken and the many more fascinating destinations it has set its sights on the hoodie girl anvil publishing inc julie has always been

pdf tagalog stories pdf pdf tagalog language e books - May 22 2022

web one of the filipino wtpad ambassadors slash ninja if you have the soft copy of idtipilwtip original dont distribute it keep it only to yourself as your personal copy links pdf files since wtpad stories are really free i can give you a copy of tagalog officially his girlfriend in pdf scribd comdoc178037349

pinoy stories wtpad - Feb 28 2023

web read the most popular pinoy stories on wtpad the world s largest social storytelling platform

filipino wtpad stories published 136 books goodreads - Apr 01 2023

web 136 books based on 333 votes montello high school of gangsters by shiela may familiaran the boy next door by mia cortez teen clash by ilyn anne dangan

wattpad soft copies no link and no need to download facebook - Oct 27 2022

web oct 5 2014 welcome to wattpad soft copies no link and no need to download permission to ate mia lahat ng mga topic sa wattpad pwede dito except 1 nude photos videos etc strictly prohibited kasi may

tagalog stories wattpad - Aug 05 2023

web read the most popular tagalog stories on wattpad the world s largest social storytelling platform

[pinoystories stories wattpad](#) - Jun 03 2023

web read the most popular pinoystories stories on wattpad the world s largest social storytelling platform

authors with soft copies soft copies wattpad - Oct 07 2023

web read soft copies from the story authors with soft copies by bookrec lm with 293 558 reads like this page please facebook com wattpadfilcomawards browse browse

wattpad ebook reader s soft copy story free avail here - Jan 30 2023

web if you want to read some soft copies story just join us here rules and regulations for wattpad ebook reader s soft copy story free avail hare madami na kasi ang mga lumalabag yung mga rules na alam na natin ay binabaliwala nalang ng iba kasi hindi naman kame mahigpit sa group na ito

wattpad soft copies facebook - Dec 29 2022

web 1 no selling soft copies kapal ng mukha alam kong isa rin ako sa mga nagshashare ng sc pero alam ko sa sarili ko na hindi ko ito pagaari at hindi ito sa akin kaya t wala akong karapatang ibenta ito kaya kapag may nakita akong ganitong senryo ay autokick ka sa group 2

jemira free soft copies ebooks soft copies weebly - Nov 27 2022

web oct 29 2023 ebooks soft copies about contact soft copies hi welcome to y site i will post here free soft copies of wattpad stories most of them are in filipino language but i will let you know if the story i m going to post is in english language you can ask me soft copies and i will do my best to post it to you

wattpad soft copy requested facebook - Jul 04 2023

web wattpad soft copy requested hi admin creator po sa gusto po mag pa soft copy posted lang po kayo ng gusto niyo irequested or ichat niyo po kami ni admin lianjane mil pagallamman example title story na requested

[music ministry friendship baptist church owasso ok](#) - Sep 04 2022

web in the earliest documented history of friendship baptist church it is noted that the church choir music ministry was organized to oversee the presentation of music in

music ministry friendship baptist church of garfield - Jul 14 2023

web the music ministry s mission is to facilitate the overall mission and vision of this church through the delivery of spirit led music that enchances the worship service we serve

greater friendship missionary baptist church ministries music - Mar 30 2022

web friendship missionary baptist church of dallas music ministry private group 40 members join group about discussion more about discussion about this group private

youth ministry friendship baptist church - Jan 28 2022

web address 275 friendship church rd danielsville ga 30633 706 795 3043 pastor friendshipbaptistchurch org

friendship missionary baptist church of dallas music ministry - Feb 26 2022

web men s ministry women s ministry youth ministry children s ministry music ministry seniors ministry

welcome friendship baptist grenada ms - Jun 01 2022

web the fbc music team is focused on guiding our congregation to bow before jesus the king of kings with a fully submitted heart in open and honest relationship with him our music

music ministry fbckcmo org - Feb 09 2023

web minister of music layne edwards student minister darren smith administrative assistant chris thomas ministries music ministry children s ministry youth ministry

friendship baptist church - Mar 10 2023

web friendship baptist church has long been known for a lively exuberant and spirit filled music ministry it is our mission to glorify the lord jesus christ through worship and

church ministries friendship baptist church - Aug 03 2022

web music minister we are thrilled to have dr killion leading our music ministry as a professor of voice at campbellsville university and with many years experience in

brent brondyke music minister friendship baptist church - Dec 07 2022

web friendship baptist grenada ms 475 pearidge rd grenada ms 38901 662 226 4658 churchoffice friendshipbaptist org

friendship united methodist church music - Sep 23 2021

friendship baptist church - Oct 25 2021

music ministry friendship baptist church - Jun 13 2023

web friendship welcomes the visit of deaconess eunice milton explore deacons ministry deaconess ministry music ministry

missionary ministry youth ministry media

friendship baptist church music ministry facebook - Aug 15 2023

web oct 27 2015 friendship baptist church music ministry facebook forgot account friendship baptist church music ministry private group 39 members join group

music ministry friendship baptist grenada ms - Nov 06 2022

web minister of music layne edwards student minister darren smith administrative assistant chris thomas ministries music ministry children s ministry youth ministry

friendship baptist church music ministry - May 12 2023

web this is simply an alternative way of communicating necessary information music ministry the purpose of the music ministry is to lead god s people to a place of intimate and

ministries friendship baptist church - Apr 30 2022

web associate minister minister dara ison church secretary sister angela hudson ministries deacons finance media music usher about us our beliefs history

friendship baptist church - Nov 25 2021

web jun 18 2023 church staff contact us news services ministries music ministry missions events bulletins newsletters evangelism sermons devotional pastor s desk

friendship baptist church staff - Jan 08 2023

web music minister at friendship baptist church raleigh north carolina united states 214 followers 213 connections join to view profile friendship baptist church

friendship baptist church worship arts ministry facebook - Apr 11 2023

web church staff contact us news services ministries music ministry missions events bulletins newsletters evangelism sermons devotional pastor s desk

friendship baptist church - Dec 27 2021

web sep 17 2023 church staff contact us news services ministries music ministry missions events bulletins newsletters evangelism sermons devotional pastor s desk

about friendship baptist church - Jul 02 2022

web music ministry live streaming egiving contact us friendship baptist grenada ms 475 pearidge rd grenada ms 38901 662 226 4658

friendship baptist church hudson north carolina - Oct 05 2022

web our worship at friendship baptist church is a blend of new and old songs we strive to be balanced and we believe that

many different styles of music are pleasing to god