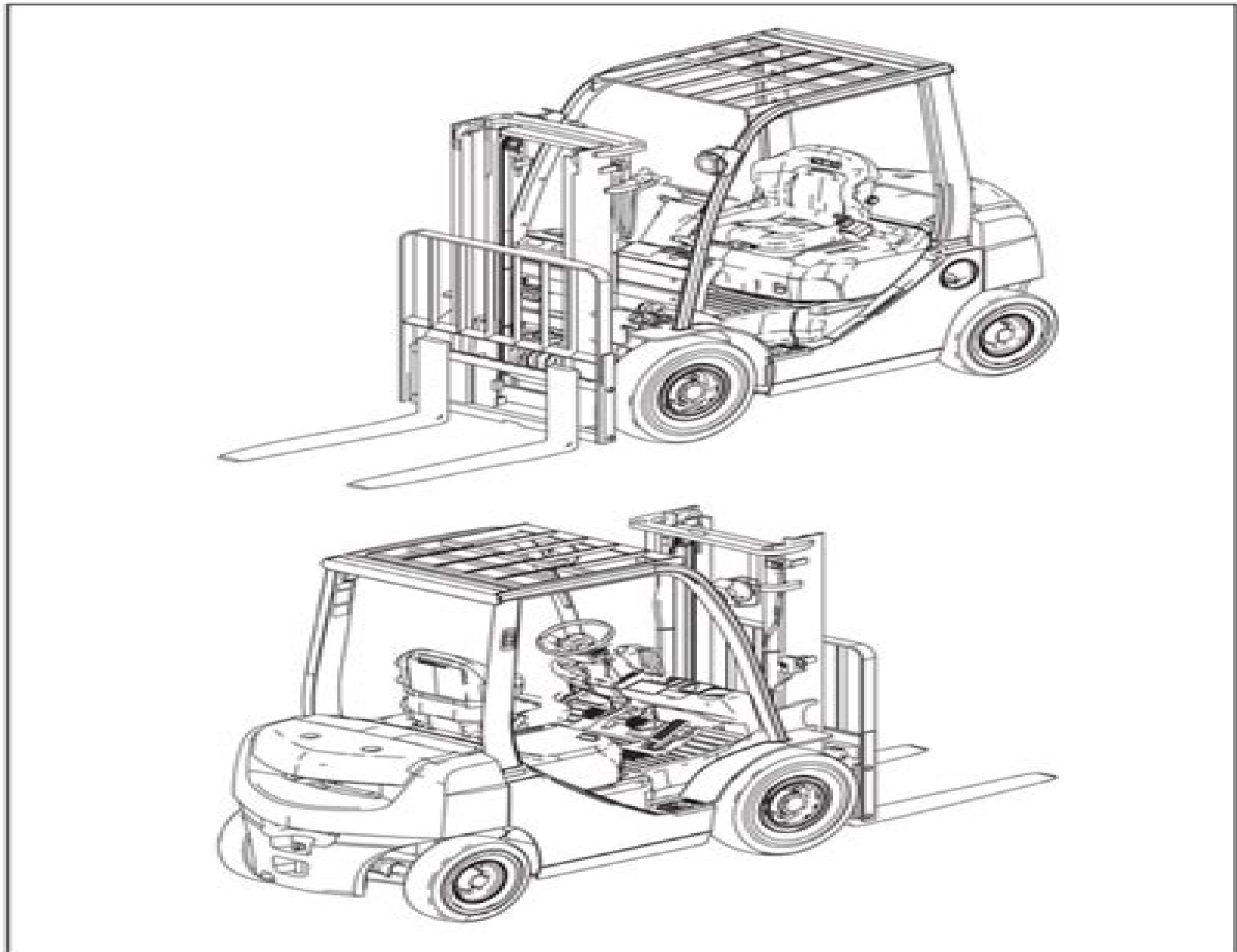


EXTERIOR VIEWS



Forklift Manual Toyota Fgu25

Robert R. Redfield



Forklift Manual Toyota Fgu25:

When somebody should go to the ebook stores, search initiation by shop, shelf by shelf, it is truly problematic. This is why we present the book compilations in this website. It will extremely ease you to look guide **Forklift Manual Toyota Fgu25** as you such as.

By searching the title, publisher, or authors of guide you really want, you can discover them rapidly. In the house, workplace, or perhaps in your method can be all best area within net connections. If you plan to download and install the Forklift Manual Toyota Fgu25, it is unquestionably simple then, before currently we extend the partner to buy and create bargains to download and install Forklift Manual Toyota Fgu25 as a result simple!

<https://staging.conocer.cide.edu/data/detail/fetch.php/handbook%20of%20magnesium%20organic%20compounds%20vol%201%20section%201%20reactions%20of%20magnesium%20organic%20compounds%20nos%201%207284.pdf>

Table of Contents Forklift Manual Toyota Fgu25

1. Understanding the eBook Forklift Manual Toyota Fgu25
 - The Rise of Digital Reading Forklift Manual Toyota Fgu25
 - Advantages of eBooks Over Traditional Books
2. Identifying Forklift Manual Toyota Fgu25
 - Exploring Different Genres
 - Considering Fiction vs. Non-Fiction
 - Determining Your Reading Goals
3. Choosing the Right eBook Platform
 - Popular eBook Platforms
 - Features to Look for in an Forklift Manual Toyota Fgu25
 - User-Friendly Interface
4. Exploring eBook Recommendations from Forklift Manual Toyota Fgu25
 - Personalized Recommendations
 - Forklift Manual Toyota Fgu25 User Reviews and Ratings

- Forklift Manual Toyota Fgu25 and Bestseller Lists
- 5. Accessing Forklift Manual Toyota Fgu25 Free and Paid eBooks
 - Forklift Manual Toyota Fgu25 Public Domain eBooks
 - Forklift Manual Toyota Fgu25 eBook Subscription Services
 - Forklift Manual Toyota Fgu25 Budget-Friendly Options
- 6. Navigating Forklift Manual Toyota Fgu25 eBook Formats
 - ePub, PDF, MOBI, and More
 - Forklift Manual Toyota Fgu25 Compatibility with Devices
 - Forklift Manual Toyota Fgu25 Enhanced eBook Features
- 7. Enhancing Your Reading Experience
 - Adjustable Fonts and Text Sizes of Forklift Manual Toyota Fgu25
 - Highlighting and Note-Taking Forklift Manual Toyota Fgu25
 - Interactive Elements Forklift Manual Toyota Fgu25
- 8. Staying Engaged with Forklift Manual Toyota Fgu25
 - Joining Online Reading Communities
 - Participating in Virtual Book Clubs
 - Following Authors and Publishers Forklift Manual Toyota Fgu25
- 9. Balancing eBooks and Physical Books Forklift Manual Toyota Fgu25
 - Benefits of a Digital Library
 - Creating a Diverse Reading Collection Forklift Manual Toyota Fgu25
- 10. Overcoming Reading Challenges
 - Dealing with Digital Eye Strain
 - Minimizing Distractions
 - Managing Screen Time
- 11. Cultivating a Reading Routine Forklift Manual Toyota Fgu25
 - Setting Reading Goals Forklift Manual Toyota Fgu25
 - Carving Out Dedicated Reading Time
- 12. Sourcing Reliable Information of Forklift Manual Toyota Fgu25
 - Fact-Checking eBook Content of Forklift Manual Toyota Fgu25
 - Distinguishing Credible Sources

13. Promoting Lifelong Learning
 - Utilizing eBooks for Skill Development
 - Exploring Educational eBooks
14. Embracing eBook Trends
 - Integration of Multimedia Elements
 - Interactive and Gamified eBooks

Forklift Manual Toyota Fgu25 Introduction

Free PDF Books and Manuals for Download: Unlocking Knowledge at Your Fingertips In today's fast-paced digital age, obtaining valuable knowledge has become easier than ever. Thanks to the internet, a vast array of books and manuals are now available for free download in PDF format. Whether you are a student, professional, or simply an avid reader, this treasure trove of downloadable resources offers a wealth of information, conveniently accessible anytime, anywhere. The advent of online libraries and platforms dedicated to sharing knowledge has revolutionized the way we consume information. No longer confined to physical libraries or bookstores, readers can now access an extensive collection of digital books and manuals with just a few clicks. These resources, available in PDF, Microsoft Word, and PowerPoint formats, cater to a wide range of interests, including literature, technology, science, history, and much more. One notable platform where you can explore and download free Forklift Manual Toyota Fgu25 PDF books and manuals is the internet's largest free library. Hosted online, this catalog compiles a vast assortment of documents, making it a veritable goldmine of knowledge. With its easy-to-use website interface and customizable PDF generator, this platform offers a user-friendly experience, allowing individuals to effortlessly navigate and access the information they seek. The availability of free PDF books and manuals on this platform demonstrates its commitment to democratizing education and empowering individuals with the tools needed to succeed in their chosen fields. It allows anyone, regardless of their background or financial limitations, to expand their horizons and gain insights from experts in various disciplines. One of the most significant advantages of downloading PDF books and manuals lies in their portability. Unlike physical copies, digital books can be stored and carried on a single device, such as a tablet or smartphone, saving valuable space and weight. This convenience makes it possible for readers to have their entire library at their fingertips, whether they are commuting, traveling, or simply enjoying a lazy afternoon at home. Additionally, digital files are easily searchable, enabling readers to locate specific information within seconds. With a few keystrokes, users can search for keywords, topics, or phrases, making research and finding relevant information a breeze. This efficiency saves time and effort, streamlining the learning process and allowing individuals to focus on extracting the information they need. Furthermore, the availability of free PDF books and manuals fosters a culture of continuous learning. By removing

financial barriers, more people can access educational resources and pursue lifelong learning, contributing to personal growth and professional development. This democratization of knowledge promotes intellectual curiosity and empowers individuals to become lifelong learners, promoting progress and innovation in various fields. It is worth noting that while accessing free Forklift Manual Toyota Fgu25 PDF books and manuals is convenient and cost-effective, it is vital to respect copyright laws and intellectual property rights. Platforms offering free downloads often operate within legal boundaries, ensuring that the materials they provide are either in the public domain or authorized for distribution. By adhering to copyright laws, users can enjoy the benefits of free access to knowledge while supporting the authors and publishers who make these resources available. In conclusion, the availability of Forklift Manual Toyota Fgu25 free PDF books and manuals for download has revolutionized the way we access and consume knowledge. With just a few clicks, individuals can explore a vast collection of resources across different disciplines, all free of charge. This accessibility empowers individuals to become lifelong learners, contributing to personal growth, professional development, and the advancement of society as a whole. So why not unlock a world of knowledge today? Start exploring the vast sea of free PDF books and manuals waiting to be discovered right at your fingertips.

FAQs About Forklift Manual Toyota Fgu25 Books

1. Where can I buy Forklift Manual Toyota Fgu25 books? Bookstores: Physical bookstores like Barnes & Noble, Waterstones, and independent local stores. Online Retailers: Amazon, Book Depository, and various online bookstores offer a wide range of books in physical and digital formats.
2. What are the different book formats available? Hardcover: Sturdy and durable, usually more expensive. Paperback: Cheaper, lighter, and more portable than hardcovers. E-books: Digital books available for e-readers like Kindle or software like Apple Books, Kindle, and Google Play Books.
3. How do I choose a Forklift Manual Toyota Fgu25 book to read? Genres: Consider the genre you enjoy (fiction, non-fiction, mystery, sci-fi, etc.). Recommendations: Ask friends, join book clubs, or explore online reviews and recommendations. Author: If you like a particular author, you might enjoy more of their work.
4. How do I take care of Forklift Manual Toyota Fgu25 books? Storage: Keep them away from direct sunlight and in a dry environment. Handling: Avoid folding pages, use bookmarks, and handle them with clean hands. Cleaning: Gently dust the covers and pages occasionally.
5. Can I borrow books without buying them? Public Libraries: Local libraries offer a wide range of books for borrowing.

- Book Swaps: Community book exchanges or online platforms where people exchange books.
6. How can I track my reading progress or manage my book collection? Book Tracking Apps: Goodreads, LibraryThing, and Book Catalogue are popular apps for tracking your reading progress and managing book collections. Spreadsheets: You can create your own spreadsheet to track books read, ratings, and other details.
 7. What are Forklift Manual Toyota Fgu25 audiobooks, and where can I find them? Audiobooks: Audio recordings of books, perfect for listening while commuting or multitasking. Platforms: Audible, LibriVox, and Google Play Books offer a wide selection of audiobooks.
 8. How do I support authors or the book industry? Buy Books: Purchase books from authors or independent bookstores. Reviews: Leave reviews on platforms like Goodreads or Amazon. Promotion: Share your favorite books on social media or recommend them to friends.
 9. Are there book clubs or reading communities I can join? Local Clubs: Check for local book clubs in libraries or community centers. Online Communities: Platforms like Goodreads have virtual book clubs and discussion groups.
 10. Can I read Forklift Manual Toyota Fgu25 books for free? Public Domain Books: Many classic books are available for free as they're in the public domain. Free E-books: Some websites offer free e-books legally, like Project Gutenberg or Open Library.

Find Forklift Manual Toyota Fgu25 :

handbook of magnesium-organic compounds vol 1 section 1 - reactions of magnesium-organic compounds nos. 1-7284

handbook of anesthetics and perioper

hancocks half hour collectors edition

handbook for corporate directors

~~hand in hand teachers planning guide~~

handbook of meat analysis

hamlyn revisited the british legal system today the hamlyn lectures

handbook of cubik math

handbook inject drugs supp 10ed pb

handbook of cardiac drugs basic science and clinical aspects of cardiovascular pharmacology

handbook of medical anthropology contemporary theory and method

handbook of elastomers new developments and technology

[handbook of discus](#)

[hammer house of horror behind the screams](#)

handbook of hospital based substance abuse treatment**Forklift Manual Toyota Fgu25 :****how to write a reference letter michael page hong kong** - Dec 09 2022

web sep 4 2023 how to write a reference letter it s common for companies to request a reference letter from candidates as a crucial step in their hiring process these letters hold substantial weight in influencing hiring decisions underscoring the vital role of an authentic and well crafted reference letter

how to write a letter of recommendation with example - Nov 08 2022

web updated september 27 2023 image description having someone vouch for your qualifications and personal character can make potential employers more likely to consider you for a role a letter of recommendation validates your work skills or academic performance and you might request such a letter the next time you apply for a position

[office manager recommendation letter sample livecareer](#) - Oct 19 2023

web click to view livecareer s professional office manager recommendation letter our experts will teach you the best way to write your own powerful recommendation letter

how to write reference letters with free sample templates - Jun 03 2022

web 373k tips and advice on writing reference letters this article discusses samples templates and examples for writing letters of references for employment character or personal references useful tips on making the most out of a job reference

[4 free letter of recommendation for employee templates aihr](#) - Jul 04 2022

web nov 14 2023 contents what is a letter of recommendation for an employee types of employee letters of recommendation how to use letter of recommendation templates 1 character reference letters 2 professional letter of recommendation 3 recommendation letter for promotion 4 simple letter of recommendation

7 sample manager reference letters free sample example - Feb 28 2022

web this post is a collection of manager reference letter templates that may help you to create a comprehensive manager reference letter should you be asked to be a reference of an applicant who would like to apply as a manager

9 sample excellent recommendation letters for your job - Feb 11 2023

web 1 explains why you re qualified to recommend the candidate in order to hold weight a recommendation letter should come from a reputable source if an employer wants a professional reference then the writer of that letter probably worked

with the candidate in a supervisory capacity

reference letter samples from an employee s manager the - Jul 16 2023

web jun 21 2021 sample reference letters from a manager for an employee you can use these reference letter examples as models for your own letter download the template compatible with google docs and word online or read the text version letters below download the word template

19 outstanding examples of reference letter from manager - Aug 17 2023

web a manager reference letter is a document written up by a workplace superior as a personal recommendation of an employee applying for a new job or position the reference letter states the superior s opinion on the employee s workplace behavior observed abilities and prior job performance

samples of reference and recommendation letters the balance - Mar 12 2023

web feb 18 2022 reference letter samples review the sample reference letters here including professional references academic references personal references and letters asking for a recommendation to help you write your own plus review guidelines and tips for requesting and writing reference letters

5 outstanding recommendation letter samples how to write - Sep 06 2022

web why are recommendation letters important before diving into the recommendation letter samples let s consider what role recommendation letters play in the job application process why do hiring managers ask for letters of recommendation what purpose do reference letters serve powerfully advocate for the job seeker

letter of recommendation template with examples the balance - Jan 10 2023

web mar 17 2022 this letter template shows the format of a typical letter of reference for employment or educational purposes the format is appropriate for an employment reference as well as a reference for college or graduate

50 best recommendation letters for employee from manager - Oct 07 2022

web 6 considerations to think about when writing a recommendation letter for employee from manager 7 recommendation letters from manager 8 tips for writing a recommendation letter for employee from manager 9 sample reference letters from employer 10 mistakes to avoid when writing a recommendation letter

manager reference letter format sample letters - Aug 05 2022

web 1 begin with professional formalities start your letter with a formal salutation and introduction this sets a professional tone ensuring that the recipient recognizes the seriousness of your endorsement 2 maintain objectivity while it s important to highlight the employee s strengths remember to remain objective

office manager reference letter all business templates - Jun 15 2023

web if time or quality is of the essence this ready made template can help you to save time and to focus on the topics that

really matter sample reference letter for an office manager to whom it may concern i am writing to recommend name for the position of an office manager at organization

recommendation letter for an employee examples the balance - Apr 01 2022

web jan 17 2023 recommendation letter for an employee examples by alison doyle updated on january 17 2023 in this article how to write a recommendation for an employee recommendation letter template for an employee recommendation letter example for an employee more recommendation letter examples photo klaus

sample reference letter template free example word - Apr 13 2023

web here s our reference letter template dear insert name i am writing to recommend employee name he she they worked with us at company name as a employee job title and reported to me worked with me in my position as insert your job title as an employee employee name was always insert quality

how to write a letter of recommendation for your boss - May 14 2023

web aug 28 2023 brainstorm ideas with your reader and goals in mind brainstorm ideas for your letter of recommendation try making a list of details you d like to include specific examples of your supervisor s positive qualities can help clearly illustrate your descriptions of their abilities in your letter of recommendation

manager recommendation letter livecareer com - May 02 2022

web manager recommendation letter sample want to use this letter customize this letter josue ortega i am writing this letter to recommend lori forsyth as a manager for your organization lori in my opinion reached the level of manager two years ago with her exceptional performance

writing a manager reference letter with template and examples indeed - Sep 18 2023

web jul 19 2023 a manager reference letter should include background information about your professional relationship regarding the letter s subject for example a letter can state how you supervised the individual for whom you re writing the letter while providing your perspective as a manager

s poreans aged 22 to 25 worked out a system to drastically - May 18 2023

web sep 16 2022 paramedics need to check a patient s records for pre existing ailments drug allergies or any past medication they should be aware of before deducing an optimal solution

paramedic specialist scdf - Jul 20 2023

web benefits diploma in paramedicine emergency medical technician certified emergency medical specialist certified paramedic level 3 certified with advancement opportunity to level 4 leave entitlement 14 18 days vacation leave 14 days of medical leave or 60 days with hospitalisation 12 days of annual study leave subject to approval

paramedics what they do and where they work webmd - Oct 23 2023

web paramedics are medical professionals who specialize in emergency treatment learn more about the conditions they treat and why you might want to see a paramedic

diploma in health sciences paramedicine nanyang polytechnic - Aug 21 2023

web oct 2 2023 school of health social sciences diploma in health sciences paramedicine with the increased complexity of pre hospital emergency care advancements in military medicine and rising public expectations there is a need to further enhance the skills of paramedics to keep abreast of evolving field medical doctrine and

singapore global firefighters paramedics challenge sgfpc - Jun 19 2023

web the singapore global firefighters paramedics challenge sgfpc is a signature event organised by scdf where firefighters rescuers and paramedics from around the globe and singapore gather to compete in exciting scenario based challenges the event also includes the public challenge where scdf s partners are invited to participate

what s inside an ambulance peh - Mar 16 2023

web but what medical equipment is in an ambulance and what do paramedics do if you re curious read on to find out more paramedics a paramedic is a medical professional whose primary role is to provide emergency medical care in the pre hospital setting

paramedic wikipedia - Sep 22 2023

web related jobs emergency medical technician a paramedic is a healthcare professional trained in the medical model whose main role has historically been to respond to emergency calls for medical help outside of a hospital paramedics work as part of the emergency medical services ems most often in ambulances

paramedic jobs in singapore nov 2023 jobstreet - Apr 17 2023

web emergency medical technician emt cosem hr capital and consultancy pte ltd singapore 1 400 2 300 per month laboratory technical services science technology 14d ago

class reliability testing checklist teachstone - Feb 10 2023

web certification test or the practice videos if you are attempting your recertification test for additional coding practice and read over the master code justifications for the videos watch the exemplar videos in the video library paying special attention to the dimensions with which you are struggling be sure to attend to the focus texts as

5 class reliability test hacks to share with your trainees teachstone - Jun 14 2023

web feb 23 2016 1 review maybe even print out these cheat sheets class isn t a checklist but the quality frequency and duration of effective interactions is what separates a low range score from a high range score sometimes we can get excited when we spot an indicator of effective interaction she and the child both laughed

reliability support teachstone - Mar 11 2023

web we recommend exploring these resources around specific areas you are looking for support if you are unsuccessful in your first testing attempt this page is perfect for you to access immediate support for the areas you are struggling in [the truth about class reliability pass rates teachstone](#) - Apr 12 2023

web mar 7 2016 test your knowledge by answering fact or fiction to each statement below fact or fiction 1 there are three chances to pass the class reliability test this is a fact have you ever heard the old saying if at first you don't succeed try try again our pass rate data supports this idea

myteachstone teachstone - Mar 31 2022

web myteachstone class subscription gives access to an observation data module that enables you to make observation notes quickly assign class scores at the indicator level and submit observation data save time and reduce manual efforts by leveraging digital features to collect notes score interactions and generate class data reports

[teachstone class reliability test answers faqcourse com](#) - Aug 16 2023

web teachstone class reliability test answers faqcourse com 1 week ago web 5 class reliability test tips teachstone 1 day ago almost just like anything worth doing there's no substitute for the hard work of thorough preparation i'm talking to you [quiz can you match the teaching scenario to the right teachstone](#) - Aug 04 2022

web october 3 2017 by megan cornwell pre k k 12 just for fun reliability and certification what's the status of your class expertise do your skills need sharpening try this fun quiz and check your own answers to find out what's the status of your class expertise do your skills need sharpening

5 class reliability test tips teachstone - Oct 18 2023

web jan 14 2016 almost just like anything worth doing there's no substitute for the hard work of thorough preparation i'm talking to you cliffsnotes but there are a few things you can do to make taking the reliability test and class coding in general a little easier here are a few of my favorite tips 1 review maybe even print out these cheat sheets

[test preparation teachstone](#) - Jun 02 2022

web products and trainings getting started with class class environment observer training certification certified observer supports program services support coaching training certification professional development for educators

the complete guide to class teachstone - Jan 09 2023

web researchers designed class to answer these questions it is the most widely used tool for assessing classroom quality in 2022 teachstone announced class 2nd edition which incorporates enhancements more effective interactions in preschool are also associated with increased math outcomes on tests that measure counting numeracy

[teachstone home teachstone](#) - Feb 27 2022

web we're here to help get your program on a path to success and answer your questions

teachstone class pre k flashcards quizlet - Sep 17 2023

web 1 13 flashcards learn test match q chat beta created by kb shannon d miller teacher terms in this set 13 class is an acronym for what classroom assessment scoring system what is the purpose of class observation instrument developed to assess classroom interactions and quality in preschool 3rd grade class has domains

testing certifications teachstone - Oct 06 2022

web testing certifications guide to purchasing recertification purchasing a single class recertification for yourself or someone else observers how long does my class observer certification last may i give class trainings with this certification how do i register and pay for observer recertification what is a certified class observer

10 things to do before and during your reliability testing teachstone - Sep 05 2022

web aug 30 2023 1 study i know that sounds silly but it s so true so many people come to observation training and think that after two days they are equipped to take the class reliability test those people fail if not on the test itself in the classroom where the pressure is on and the stakes are high

extra recertification practice videos have arrived teachstone - Jul 15 2023

web oct 6 2016 update 1 all practice videos are available from the start previously extra practice videos were unlocked only upon failure of the first recertification test attempt this meant that observers who were consistently successful on the first attempt were given access to the same first practice test year after year

reliability test all things class teachstone - May 13 2023

web jan 31 2022 1 reliability test 4 like rosalba tutakhil posted 01 07 2022 01 48 hi i would like to share that i have passed my class reliability test i have been a certified class observer for 5 years now rosalba tutakhil class observer head start 2 re reliability test 0 like teachstone staff

observers teachstone - Nov 07 2022

web certified class observers for recertification you have 8 weeks from the time of activation to take the recertification test including both the class reliability test and the trainer knowledge test

teachstone test answers - Dec 08 2022

web teachstone test answers class faq teachstone ofsted part of the problem or part of the solution class faq teachstone may 9th 2018 have a question about the classroom assessment scoring system our class faq has the answers ofsted part of the problem or part of the solution

get the free books about teachstone test answers - May 01 2022

web the premium subscription for pdfiller provides you with access to an extensive library of fillable forms over 25m fillable templates that you can download fill out print and sign you won t have any trouble finding state specific books about

teachstone test and other forms in the library

class coding don t play the numbers game teachstone - Jul 03 2022

web dec 21 2017 it is true that the approach of never assigning a 1 or a 7 does increase your odds of passing the class reliability test however as a trainer i want you to pass the test because you understand the tool and not because you played the numbers game