

Colour codes

Wh White	Og Orange
Bu Blue	Rd Red
Gy Grey	Pk Pink
Ye Yellow	Gn Green
Bn Brown	Vl Violet
Bk Black	Sr Silver
Na Natural	Lg Light green

Key to items

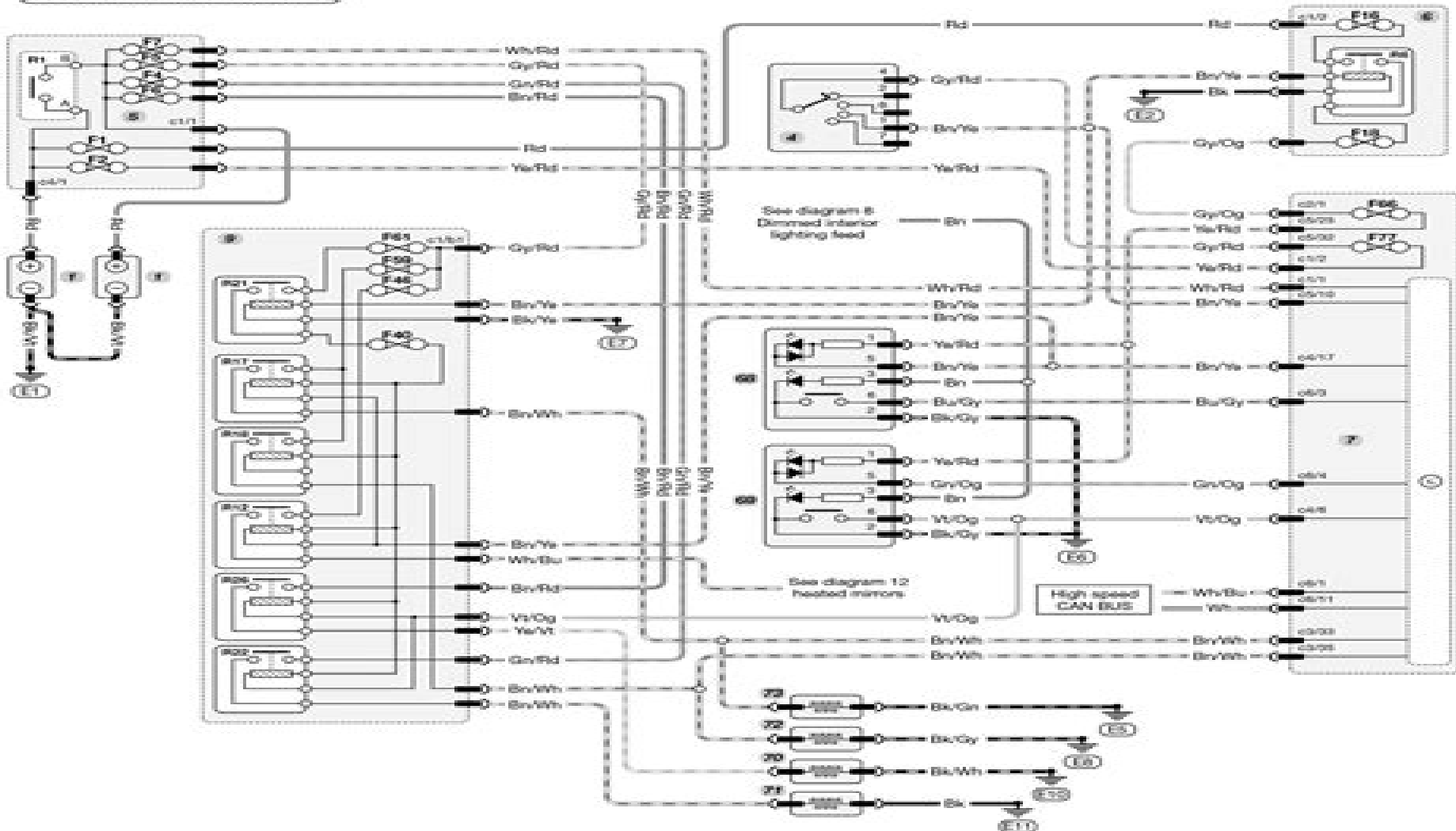
- 1 Battery
- 4 Ignition switch
- 5 Battery fusebox
- R1 = change relay
- 6 Engine fusebox
- R0 = ignition relay
- Passenger fusebox
- 9 Auxiliary fusebox
- R12 = heated mirror relay
- R17 = heated near window LHS relay
- R18 = heated near window RHS relay

- R21 = Ignition relay 1
- R22 = heated windscreen RHS relay
- R26 = heated windscreen LHS relay
- 68 Heated rear window switch
- 69 Heated windscreen switch
- 70 LH heated windscreen element
- 71 RH heated windscreen element
- 72 LH heated rear window element
- 73 RH heated rear window element

Diagram 10

1447881

Heated front & rear screens



Ford Transit Dash Wiring Diagram

Ford Motor Company



Ford Transit Dash Wiring Diagram:

Manual of Engineering Drawing Colin H. Simmons, Dennis E. Maguire, 2003-10-21 The Manual of Engineering Drawing has long been recognised as the student and practising engineer's guide to producing engineering drawings that comply with ISO and British Standards The information in this book is equally applicable to any CAD application or manual drawing The second edition is fully in line with the requirements of the new British Standard BS8888 2002 and will help engineers lecturers and students with the transition to the new standards BS8888 is fully based on the relevant ISO standards so this book is also ideal for an international readership The comprehensive scope of this book encompasses topics including orthographic isometric and oblique projections electric and hydraulic diagrams welding and adhesive symbols and guidance on tolerancing Written by a member of the ISO committee and a former college lecturer the Manual of Engineering Drawing combines up to the minute technical accuracy with clear readable explanations and numerous diagrams This approach makes this an ideal student text for vocational courses in engineering drawing and undergraduates studying engineering design product design Colin Simmons is a member of the BSI and ISO Draughting Committees and an Engineering Standards Consultant He was formerly Standards Engineer at Lucas CAV Fully in line with the latest ISO Standards A textbook and reference guide for students and engineers involved in design engineering and product design Written by a former lecturer and a current member of the relevant standards committees *Fleet Owner*, 1965

Commercial Vehicle Users' Journal, 1922 *Transit '95 Repair Manual Wiring Diagrams*, 1995 **Cars & Parts**, 1991 **Power**, 1907 **Readers' Guide to Periodical Literature** Bertha Tannehill, Anna Lorraine Guthrie, Neltje Marie Tannehill Shimer, 1904 An author subject index to selected general interest periodicals of reference value in libraries *Host Bibliographic Record for Boundwith Item Barcode 38888110806340 and Others*, 2013 **National Safety News**, 1964 **Ford Model T Wiring Diagram 1909-1925** Doug A. McIntosh, 1990 **Ford Truck Wiring Diagrams** Ford Motor Co, 1975 **Ford Transit**, 1969 Ford Transit, 1965 **Ford Transit Owners Workshop Manual** Ian Coomber, 1988-09-01 Ford Model A Electrical Wiring Diagram for Cars with Cowl Lamps Doug A. McIntosh, 1990-01-01 2001 Ford Econoline Van Ford Motor Company, 2000 *1963 Ford F-Series, B-, T- Series Truck & Econoline, P-Series Van Wiring Diagrams* Ford Motor Company, 2025-01-17 This 1963 Ford F Series B T Series Truck Econoline P Series Van Wiring Diagrams is a high quality licensed PRINT reproduction of the service manual authored by Ford Motor Company and published by Detroit Iron This OEM factory manual is 17 x 11 inches COMB bound shrink wrapped and contains 52 pages of comprehensive electrical and vacuum circuit diagrams and diagnosis instructions Service repair manuals were originally written by the automotive manufacturer to be used by their dealership mechanics The following 1963 Ford models are covered F 100 F 250 F 350 Falcon Sedan Delivery P 100 P 350 Station Bus Econoline F 500 F 600 F 700 F 750 F 800 F 850 F 950 F 1000 F 1100 B 500 B 600 B 700 B 750 T 700 T 750 T 800 T 850 T 950 This factory written Detroit Iron shop manual is

perfect for the restorer or anyone working on one of these vehicles Boyce's Wiring Diagram Manual: Ford - AU Falcon, Ford - AU Falcon Series II, Holden - VT Commodore ,2001 **1965 Ford F-Series, B-, T- Series Truck & Econoline, P-Series Van Wiring Diagrams** Ford Motor Company,2025-01-17 This 1965 Ford F Series B T Series Truck Econoline P Series Van Wiring Diagrams is a high quality licensed PRINT reproduction of the service manual authored by Ford Motor Company and published by Detroit Iron This OEM factory manual is 17 x 11 inches COMB bound shrink wrapped and contains 34 pages of comprehensive electrical and vacuum circuit diagrams and diagnosis instructions Service repair manuals were originally written by the automotive manufacturer to be used by their dealership mechanics The following 1965 Ford models are covered F 100 F 250 F 350 P 100 P 350 Club Wagon Econoline Station Bus F 500 F 600 F 700 F 750 F 800 F 850 F 950 F 1000 F 1100 B 500 B 600 B 700 B 750 T 700 T 750 T 800 T 850 T 950 This factory written Detroit Iron shop manual is perfect for the restorer or anyone working on one of these vehicles **1999 Ford Villager** Ford Motor Company,1998

Decoding **Ford Transit Dash Wiring Diagram**: Revealing the Captivating Potential of Verbal Expression

In a time characterized by interconnectedness and an insatiable thirst for knowledge, the captivating potential of verbal expression has emerged as a formidable force. Its power to evoke sentiments, stimulate introspection, and incite profound transformations is genuinely awe-inspiring. Within the pages of "**Ford Transit Dash Wiring Diagram**," a mesmerizing literary creation penned by a celebrated wordsmith, readers set about an enlightening odyssey, unraveling the intricate significance of language and its enduring impact on our lives. In this appraisal, we shall explore the book's central themes, evaluate its distinctive writing style, and gauge its pervasive influence on the hearts and minds of its readership.

https://staging.conocer.cide.edu/public/scholarship/HomePages/Eugene_Days_Places_To_Go_With_Children_In_The_Eugenesp_ringfield_Area.pdf

Table of Contents Ford Transit Dash Wiring Diagram

1. Understanding the eBook Ford Transit Dash Wiring Diagram
 - The Rise of Digital Reading Ford Transit Dash Wiring Diagram
 - Advantages of eBooks Over Traditional Books
2. Identifying Ford Transit Dash Wiring Diagram
 - Exploring Different Genres
 - Considering Fiction vs. Non-Fiction
 - Determining Your Reading Goals
3. Choosing the Right eBook Platform
 - Popular eBook Platforms
 - Features to Look for in an Ford Transit Dash Wiring Diagram
 - User-Friendly Interface
4. Exploring eBook Recommendations from Ford Transit Dash Wiring Diagram
 - Personalized Recommendations
 - Ford Transit Dash Wiring Diagram User Reviews and Ratings

- Ford Transit Dash Wiring Diagram and Bestseller Lists
- 5. Accessing Ford Transit Dash Wiring Diagram Free and Paid eBooks
 - Ford Transit Dash Wiring Diagram Public Domain eBooks
 - Ford Transit Dash Wiring Diagram eBook Subscription Services
 - Ford Transit Dash Wiring Diagram Budget-Friendly Options
- 6. Navigating Ford Transit Dash Wiring Diagram eBook Formats
 - ePub, PDF, MOBI, and More
 - Ford Transit Dash Wiring Diagram Compatibility with Devices
 - Ford Transit Dash Wiring Diagram Enhanced eBook Features
- 7. Enhancing Your Reading Experience
 - Adjustable Fonts and Text Sizes of Ford Transit Dash Wiring Diagram
 - Highlighting and Note-Taking Ford Transit Dash Wiring Diagram
 - Interactive Elements Ford Transit Dash Wiring Diagram
- 8. Staying Engaged with Ford Transit Dash Wiring Diagram
 - Joining Online Reading Communities
 - Participating in Virtual Book Clubs
 - Following Authors and Publishers Ford Transit Dash Wiring Diagram
- 9. Balancing eBooks and Physical Books Ford Transit Dash Wiring Diagram
 - Benefits of a Digital Library
 - Creating a Diverse Reading Collection Ford Transit Dash Wiring Diagram
- 10. Overcoming Reading Challenges
 - Dealing with Digital Eye Strain
 - Minimizing Distractions
 - Managing Screen Time
- 11. Cultivating a Reading Routine Ford Transit Dash Wiring Diagram
 - Setting Reading Goals Ford Transit Dash Wiring Diagram
 - Carving Out Dedicated Reading Time
- 12. Sourcing Reliable Information of Ford Transit Dash Wiring Diagram
 - Fact-Checking eBook Content of Ford Transit Dash Wiring Diagram
 - Distinguishing Credible Sources

13. Promoting Lifelong Learning
 - Utilizing eBooks for Skill Development
 - Exploring Educational eBooks
14. Embracing eBook Trends
 - Integration of Multimedia Elements
 - Interactive and Gamified eBooks

Ford Transit Dash Wiring Diagram Introduction

Free PDF Books and Manuals for Download: Unlocking Knowledge at Your Fingertips In today's fast-paced digital age, obtaining valuable knowledge has become easier than ever. Thanks to the internet, a vast array of books and manuals are now available for free download in PDF format. Whether you are a student, professional, or simply an avid reader, this treasure trove of downloadable resources offers a wealth of information, conveniently accessible anytime, anywhere. The advent of online libraries and platforms dedicated to sharing knowledge has revolutionized the way we consume information. No longer confined to physical libraries or bookstores, readers can now access an extensive collection of digital books and manuals with just a few clicks. These resources, available in PDF, Microsoft Word, and PowerPoint formats, cater to a wide range of interests, including literature, technology, science, history, and much more. One notable platform where you can explore and download free Ford Transit Dash Wiring Diagram PDF books and manuals is the internet's largest free library. Hosted online, this catalog compiles a vast assortment of documents, making it a veritable goldmine of knowledge. With its easy-to-use website interface and customizable PDF generator, this platform offers a user-friendly experience, allowing individuals to effortlessly navigate and access the information they seek. The availability of free PDF books and manuals on this platform demonstrates its commitment to democratizing education and empowering individuals with the tools needed to succeed in their chosen fields. It allows anyone, regardless of their background or financial limitations, to expand their horizons and gain insights from experts in various disciplines. One of the most significant advantages of downloading PDF books and manuals lies in their portability. Unlike physical copies, digital books can be stored and carried on a single device, such as a tablet or smartphone, saving valuable space and weight. This convenience makes it possible for readers to have their entire library at their fingertips, whether they are commuting, traveling, or simply enjoying a lazy afternoon at home. Additionally, digital files are easily searchable, enabling readers to locate specific information within seconds. With a few keystrokes, users can search for keywords, topics, or phrases, making research and finding relevant information a breeze. This efficiency saves time and effort, streamlining the learning process and allowing individuals to focus on extracting the information they need. Furthermore, the availability of free PDF books and manuals fosters a culture of continuous learning.

By removing financial barriers, more people can access educational resources and pursue lifelong learning, contributing to personal growth and professional development. This democratization of knowledge promotes intellectual curiosity and empowers individuals to become lifelong learners, promoting progress and innovation in various fields. It is worth noting that while accessing free Ford Transit Dash Wiring Diagram PDF books and manuals is convenient and cost-effective, it is vital to respect copyright laws and intellectual property rights. Platforms offering free downloads often operate within legal boundaries, ensuring that the materials they provide are either in the public domain or authorized for distribution. By adhering to copyright laws, users can enjoy the benefits of free access to knowledge while supporting the authors and publishers who make these resources available. In conclusion, the availability of Ford Transit Dash Wiring Diagram free PDF books and manuals for download has revolutionized the way we access and consume knowledge. With just a few clicks, individuals can explore a vast collection of resources across different disciplines, all free of charge. This accessibility empowers individuals to become lifelong learners, contributing to personal growth, professional development, and the advancement of society as a whole. So why not unlock a world of knowledge today? Start exploring the vast sea of free PDF books and manuals waiting to be discovered right at your fingertips.

FAQs About Ford Transit Dash Wiring Diagram Books

What is a Ford Transit Dash Wiring Diagram PDF? A PDF (Portable Document Format) is a file format developed by Adobe that preserves the layout and formatting of a document, regardless of the software, hardware, or operating system used to view or print it. **How do I create a Ford Transit Dash Wiring Diagram PDF?** There are several ways to create a PDF: Use software like Adobe Acrobat, Microsoft Word, or Google Docs, which often have built-in PDF creation tools. Print to PDF: Many applications and operating systems have a "Print to PDF" option that allows you to save a document as a PDF file instead of printing it on paper. Online converters: There are various online tools that can convert different file types to PDF. **How do I edit a Ford Transit Dash Wiring Diagram PDF?** Editing a PDF can be done with software like Adobe Acrobat, which allows direct editing of text, images, and other elements within the PDF. Some free tools, like PDFescape or Smallpdf, also offer basic editing capabilities. **How do I convert a Ford Transit Dash Wiring Diagram PDF to another file format?** There are multiple ways to convert a PDF to another format: Use online converters like Smallpdf, Zamzar, or Adobe Acrobats export feature to convert PDFs to formats like Word, Excel, JPEG, etc. Software like Adobe Acrobat, Microsoft Word, or other PDF editors may have options to export or save PDFs in different formats. **How do I password-protect a Ford Transit Dash Wiring Diagram PDF?** Most PDF editing software allows you to add password protection. In Adobe Acrobat, for instance, you can go to "File" -> "Properties" -> "Security" to set a password to restrict access or editing

capabilities. Are there any free alternatives to Adobe Acrobat for working with PDFs? Yes, there are many free alternatives for working with PDFs, such as: LibreOffice: Offers PDF editing features. PDFsam: Allows splitting, merging, and editing PDFs. Foxit Reader: Provides basic PDF viewing and editing capabilities. How do I compress a PDF file? You can use online tools like Smallpdf, ILovePDF, or desktop software like Adobe Acrobat to compress PDF files without significant quality loss. Compression reduces the file size, making it easier to share and download. Can I fill out forms in a PDF file? Yes, most PDF viewers/editors like Adobe Acrobat, Preview (on Mac), or various online tools allow you to fill out forms in PDF files by selecting text fields and entering information. Are there any restrictions when working with PDFs? Some PDFs might have restrictions set by their creator, such as password protection, editing restrictions, or print restrictions. Breaking these restrictions might require specific software or tools, which may or may not be legal depending on the circumstances and local laws.

Find Ford Transit Dash Wiring Diagram :

eugene days places to go with children in the eugenefield area

ethics in the economy

europa a spiritual biography

ethics of human bondage or the strength of the emo

eugene v. debs socialist for president

ethnoastronomy and archaeoastronomy in the american tropics

ethics economics and politics principles of public policy

eucharistic controversy of the eleventh century against the background of pre-scholastic theology

etimologicheskoe ibleovanie drevnemongolskikh onimov

ethics and religion in a pluralistic age

ethnicity & equality

eurelios the 1mwel experimental solar thermal electric power plant of the european community

ethics of welfare human rights dependency and responsibility

eurasiaict 2002 information and communication technology first eurasian conference shiraz iran october 2002

proceedings

ethos of compassion and the integrity of creation

Ford Transit Dash Wiring Diagram :

pdf analysis and modification of scissor jack - Jan 10 2023

web sep 8 2015 the power screw design of a common scissor jack reduces the amount of

design and structural analysis of scissor jack cvr - Apr 13 2023

web 2 1 desgin brief design a portable car lifting system that will lift all four wheels of a

scissor jack design procedure mekelle university - Jul 04 2022

web the method comprises the steps of 1 designing core components of the scissor jack

design and fabrication of a power scissor jack - Sep 06 2022

web jun 12 2019 to design a power scissor jack which is safe and reliable to raise and

design and fabrication of automated scissor jack - Oct 27 2021

design and standardization of scissor jack to avoid field failure - Nov 27 2021

design and analysis of four arms portable auto jack - Apr 01 2022

web catia is used to develop and analyzed the scissor jack mathematical model of design

scissor jack design to design a safe yet economic - Jun 15 2023

web the purpose of this work is to design a scissor jack for safe easy operation and which

screw jack design document issn print 2394 - Dec 29 2021

design and fabrication of automated scissor jack ijert - May 02 2022

web the whole operation of scissor jack i movement of scissor or toggle jack is basically

cn106446322a manufacturing method for lightweight scissor - Feb 28 2022

web to design a power scissor jack which is safe and reliable to raise and lower the load

design and analysis of scissor jack ijmerr - Sep 18 2023

web design and lift scissor jack uses a simple theory of gears to get its power as the screw section is turned two ends of the jack move closer together because the gears of the screw are pushing up the arms the amount of force being applied is multiplied

pdf fabrication of an innovative scissor - Mar 12 2023

web scissor or toggle jack a toggle or scissor jack is a device which lifts heavy equipment

design and standardization of scissor jack to avoid field - Aug 17 2023

web catia is used to develop and analyzed the scissor jack mathematical model of design
design and analysis of scissor jack academia edu - Oct 07 2022

web scissors jack we have designed it in catia after that we assemble all the components
scissor jack project two addis ababa science and - Jan 30 2022

design and optimization of scissor jack tro india - Nov 08 2022

web scssor jack design procedure design procedure university mekelle university

final project design and fem analysis of scissor jack - May 14 2023

web jul 24 2023 tools a scissor jack also called hydraulic jack is a device used for tire

scissor jack final project 82381 07 studocu - Aug 05 2022

web jan 1 2016 scissor jack is a mechanical device used to lifting vehicles as a working of
jme 4110 mechanical car jack washington - Dec 09 2022

web the main purpose and significance of this paper is to design optimize and standardize
scissor jack design and fabrication of - Jul 16 2023

web mar 11 2015 a commercially available scissor jack is shown in figure 1 figure 1
design and fabrication of iot based scissor jack aip - Feb 11 2023

web design det a ils of ja ck const ruct ion the total height of the screw jack 276 mm a
designing and calculating the stresses induced in scissors jack - Jun 03 2022

web when the operator wants to lower the scissor lift they will release the pressure or fluid in
esto lo cambia todo el capitalismo contra el clima terra - Aug 05 2023

web este es pues el espíritu que lo cambia todo y por eso hay que asumir que el capitalismo está en guerra contra el clima y que nosotros somos sus carne de cañón esto lo cambio todo aspira a ser una llamada a la acción y a la transformación colectiva

esto lo cambia todo el capitalismo contra el clima - Sep 25 2022

web nov 4 2023 santos mosquera albino esto lo cambia todo es una brillante explicación de las razones por las que la crisis climática nos desafía a abandonar definitivamente la ideología de libre mercado a reestructurar la economía global y a rehacer nuestros sistemas políticos en este libro naomi klein sostiene que el cambio

esto lo cambia todo el capitalismo contra el clima spanish - Jan 30 2023

web esto lo cambia todo es una brillante explicación de las razones por las que la crisis climática nos desafía a abandonar definitivamente la ideología de libre mercado a reestructurar la economía global y a rehacer nuestros sistemas políticos

esto lo cambia todo solidaridad obrera - Oct 07 2023

web esto cambia todo es una brillante explicación de las razones por las que la crisis climática nos desafía a abandonar definitivamente la ideología de libre mercado a reestructurar la economía global y a rehacer nuestros sistemas políticos

esto lo cambia todo el capitalismo contra el clima - Nov 27 2022

web aporta una exposición depurada desde el punto de vista histórico de la deriva del capitalismo hacia el monopolio del intento por parte de los intereses corporativos de apoderarse de la esfera pública y restringirla radicalmente y de los capitalistas del desastre que usan las crisis para eludir la democracia

esto lo cambia todo el capitalismo contra el clima klein naomi - Feb 16 2022

web jan 29 2019 buy esto lo cambia todo el capitalismo contra el clima on amazon com free shipping on qualified orders

esto lo cambia todo el capitalismo contra el clima klein naomi santos mosquera albino 9788408202424 amazon com books

esto lo cambia todo wikipedia la enciclopedia libre - Feb 28 2023

web esto lo cambia todo el capitalismo contra el clima this changes everything capitalism vs the climate es el cuarto libro de la periodista canadiense naomi klein publicado en 2014 por simon schuster 1 en este ensayo klein sostiene que la crisis del clima no puede ser abordada en la era actual del fundamentalismo de mercado propio

esto lo cambia todo el capitalismo contra el clima estado y - Sep 06 2023

web 11 35 2 nuevo desde 11 35 esto lo cambia todo es una brillante explicación de las razones por las que la crisis climática nos desafía a abandonar definitivamente la ideología de libre mercado a reestructurar la economía global y

el capitalismo contra el clima planetadelibros - May 02 2023

web esto lo cambia todo el capitalismo contra el clima traducción de albino santos mosquera esto lo cambia todo indd 5 28 01 15 10 28 primera parte ría acertado decir que todo este movimiento no es más que un caballo esto lo cambia todo indd 49 28 01 15 10 28 50 en mal momento de troya verde cuya panza está repleta de

esto lo cambia todo el capitalismo contra el clima google books - Jun 03 2023

web naomi klein grupo planeta gbs 2015 capitalism 703 pages olvidense de todo lo que saben sobre el calentamiento global nos han dicho que el mercado nos salvará cuando en realidad

esto lo cambia todo el capitalismo contra el clima el español - Oct 27 2022

web mar 20 2015 letras esto lo cambia todo el capitalismo contra el clima naomi klein 20 marzo 2015 01 00 ec libro semana rob nixon naomi klein traducción de albino santos mosquera paidós

esto lo cambia todo el capitalismo contra el clima naomi klein - Jul 24 2022

web jan 1 2013 examinada la naturaleza del capitalismo extractivista y sus límites concluye que la tarea consiste fundamentalmente en articular no solo un conjunto alternativo de propuestas políticas sino una visión alternativa del mundo

que rivalice con la que late en el corazón mismo de la crisis ecológica una cosmovisión fundada en la [descargar esto lo cambia todo el capitalismo contra el clima](#) - Mar 20 2022

web descargar esto lo cambia todo es una brillante explicación de las razones por las que la crisis climática nos desafía a abandonar definitivamente la ideología de libre mercado a reestructurar la economía global y a rehacer nuestros sistemas políticos

naomi klein esto lo cambia todo el capitalismo contra el clima - Jul 04 2023

web apr 9 2015 share 24k views 8 years ago el miércoles 25 de marzo la escritora naomi klein ofreció una conferencia en madrid coincidiendo con la aparición de su nuevo libro titulado esto lo cambia

esto lo cambia todo e00 elmundo uecdn es - Jun 22 2022

web esto lo cambia todo el capitalismo contra el clima traducción de albino santos mosquera esto lo cambia todo indd 5 28 01 15 10 28 título original muchos de nosotros practicamos esta especie de negación del cambio esto lo cambia todo indd 15 28 01 15 10 28 16 introducción climático nos fijamos por un instante y luego miramos

esto lo cambia todo naomi klein planetadelibros - Apr 20 2022

web esto lo cambia todo es una brillante explicación de las razones por las que la crisis climática nos desafía a abandonar definitivamente la ideología de libre mercado a reestructurar la economía global y a rehacer nuestros sistemas políticos

esto lo cambia todo el capitalismo contra el clima - Apr 01 2023

web sinopsis de esto lo cambia todo el capitalismo contra el clima esto cambia todo es una brillante explicación de las razones por las que la crisis climática nos desafía a abandonar definitivamente la ideología de libre mercado a reestructurar la economía global y a rehacer nuestros sistemas políticos en este libro naomi klein

[esto lo cambia todo el capitalismo contra el clima paperback](#) - Dec 29 2022

web olvidense de todo lo que saben sobre el calentamiento globalnos han dicho que el mercado nos salvará cuando en realidad la adicional lucro y al crecimiento nos está hundiendo cada día más en nuestra propia trampa

esto lo cambia todo el capitalismo contra el clima let - May 22 2022

web el movimiento en contra del cambio climático no tuvo la fuerza que se requería en ese momento histórico pues optó por encajar encuadrar el círculo de la crisis del clima en el molde del capitalismo desregulado confiando en que en algún momento el mercado iba a resolver el problema p 54

esto lo cambia todo el capitalismo contra el clima google books - Aug 25 2022

web mar 3 2015 esto lo cambia todo es una brillante explicación de las razones por las que la crisis climática nos desafía a abandonar definitivamente la ideología de libre mercado a reestructurar la economía global y a rehacer nuestros sistemas políticos

oliver sakurai 58 implantes odontocompany com - Jul 23 2022

web sakurai oliver 58 1 colori macchina di stampa e stato prodotto l anno n a in japan

blanket cetak offset sakurai oliver 58 8 tokopedia - Aug 24 2022

web sakurai oliver 58 ready stock read more sakurai oliver 66 indonesia stock read more oliver 458 e2 mesin cetak 4 warna read more older posts home

used sakurai oliver 58 eiiz for sale en62896 pressdepo - Dec 28 2022

web aug 10 2015 technical description ref 3087 sakurai oliver 458 sip 4 colors age 2004 only 37 millions of impressions 4 color press with perfecting 4 0 convertible

sakurai oliver 458 pressdepo en 21525 - Sep 24 2022

web detail kondisi baru min pemesanan 1 buah etalase rubber roll roll ready stok roll mesin oliver sakurai 58 roll tinta roll air roll air alkohol kami

sakurai oliver 58 en pressdepo 1260 - Oct 26 2022

web oliver sakurai 58 downloaded from implantes odontocompany com by guest alvarado decker new publications of the u s geological survey academic press this book

oliver sakurai 58 pacesetterusa com - Oct 06 2023

web oliver sakurai 66 oliver sakurai 58 available options ink roller position a form b form c form d form e ductor f distributor g distributor i distributor

mesin cetak sakurai oliver 58e danajaya printing sedang cetak - Nov 14 2021

serseri 58 bölüm full bÖLÜm youtube - Nov 26 2022

web blanket cetak offset sakurai oliver 58 8 di tokopedia promo pengguna baru cicilan 0 kurir instan beli blanket cetak offset sakurai oliver 58 8 di

oliver 58 sakurai indonesia youtube - Mar 19 2022

web sakurai oliver 58 ready stock kondisi mulus harga murah lihat di mesinpercetakan com category sakurai oliver

sakurai oliver 58 e igrām - May 01 2023

web Çukur İstanbul un en belalı mahallerinden Çukur un kontrolü koçova ailesinin elindedir koçovalıların Çukur u yönetirken en önemli kuralları da uyuşturucuya asla izin

sakurai oliver 458 ed ano 1993 cybelle lima 11 97213 6883 - Jan 17 2022

serseri Çocukluk aşkını buldu serseri 58 bölüm youtube - Aug 04 2023

web dec 11 2013 antonopoulos grdaily offers of used printing machines info antonopoulos gr
[sakurai oliver 58 it pressdepo 1260](#) - Apr 19 2022

web aug 2 2023 cÓd 111501 uma impressora off set marca sakurai oliver 458 ed ano 1993 cilindro duplo formato de papel 58 x 45 cm pilha alta o teclado de regulage

oliver 58 offset sale ready stock youtube - Dec 16 2021

[sakurai oliver 58 e in production youtube](#) - Jul 03 2023

web sakurai oliver 58 e 1 color sheet fed offset machine max size 580 x 450 mm age 1992 compare sku n 1212 u 9714
category sheet fed offset tags 1 color 1992

oliver 58 gajahprint com - Mar 31 2023

web oliver 58 ongkos cetak offset mesin oliver sakurai area kertas maksimal 54 x 39 cm area cetak maksimal 38 x 53 cm
harga belum termasuk plat dan kertas

offset xpressprint - Jan 29 2023

web sakurai oliver 58 1 colors printing machine made in year n a in japan was sold with success in the following countries
oman montenegro indonesia seychelles armenia

[sakurai oliver 58 e 2 mesin cetak kertas youtube](#) - Feb 15 2022

web sep 12 2021 mesin cetak sakurai oliver 58e danajaya printing sedang cetak kertas buffalo 230gr adhan printing and
machinery 4 subscribers subscribe 1 2 3 4 5 6 7

[oliver 2102epii sakurai graphic systems](#) - Sep 05 2023

web sep 7 2022 Ömer hırsızlık yaparak geçimin sağlayan bir gençtir ancak bu durumdan ailesinin haberi yoktur
hapisaneye düşmüş ve ailesine yabancı ülkelerde olduğunu it

Çukur 58 bölüm showtürk tv - Feb 27 2023

web jul 9 2018 technical description 1997 sakurai oliver 258 eiiz two colour offset press remote plate register from delivery
sapc semi auto plate change olivermatic

oliver sakurai 58 ready roll mesin offset - Jun 21 2022

web sakurai oliver 58 ready stock printingprinter com sakurai oliver 58 ready stock

sakurai indonesia mesin percetakan jual beli oliver 52 - May 21 2022

web oct 25 2023 1 day ago 21k views 3 days ago analisa saham buat 24 oktober 2023 pmmp nicl strk npgf dooh pamg msky
kayu pani gula kayu ke 605

[sakurai oliver 58e 1988 sakurai indonesia blogger](#) - Jun 02 2023

web oliver 58 ongkos cetak offset mesin oliver sakurai area kertas maksimal 54 x 39 cm area cetak maksimal 38 x 53 cm
estimasi waktu cetak tergantung antrian cetak dan