

Colour codes

Wh	White	Og	Orange
Bu	Blue	Rd	Red
Gy	Grey	Pk	Pink
Ye	Yellow	Gn	Green
Br	Brown	Vl	Violet
Bk	Black	Sr	Silver
Na	Natural	Lg	Light green

Key to items

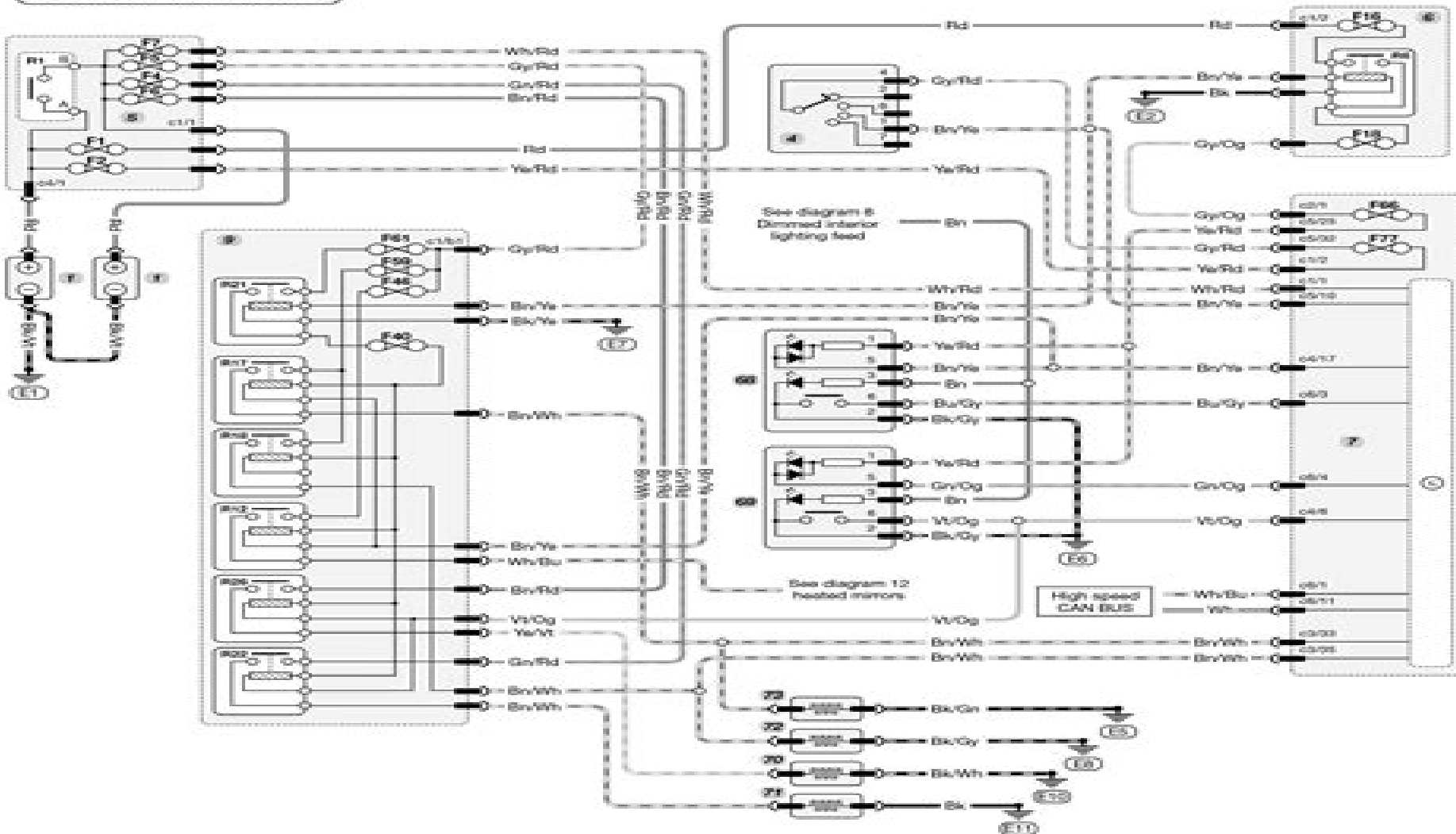
- 1 Battery
- 4 Ignition switch
- 5 Battery fusebox
- R1 = change relay
- 6 Engine fusebox
- R0 = ignition relay
- Passenger fusebox
- 9 Auxiliary fusebox
- R12 = heated mirror relay
- R17 = heated near window LHS relay
- R18 = heated near window RHS relay

- R21 = Ignition relay 1
- R22 = heated windscreen RHS relay
- R26 = heated windscreen LHS relay
- 68 Heated rear window switch
- 69 Heated windscreen switch
- 70 LH heated windscreen element
- 71 RH heated windscreen element
- 72 LH heated rear window element
- 73 RH heated rear window element

Diagram 10

1447881

Heated front & rear screens



Ford Transit Connect Wiring Diagram

Lei Shi



Ford Transit Connect Wiring Diagram:

Reviewing **Ford Transit Connect Wiring Diagram**: Unlocking the Spellbinding Force of Linguistics

In a fast-paced world fueled by information and interconnectivity, the spellbinding force of linguistics has acquired newfound prominence. Its capacity to evoke emotions, stimulate contemplation, and stimulate metamorphosis is actually astonishing. Within the pages of "**Ford Transit Connect Wiring Diagram**," an enthralling opus penned by a highly acclaimed wordsmith, readers attempt an immersive expedition to unravel the intricate significance of language and its indelible imprint on our lives. Throughout this assessment, we shall delve into the book's central motifs, appraise its distinctive narrative style, and gauge its overarching influence on the minds of its readers.

https://staging.conocer.cide.edu/public/browse/Documents/intake_for_2015_bongani_nursing_learnership.pdf

Table of Contents Ford Transit Connect Wiring Diagram

1. Understanding the eBook Ford Transit Connect Wiring Diagram
 - The Rise of Digital Reading Ford Transit Connect Wiring Diagram
 - Advantages of eBooks Over Traditional Books
2. Identifying Ford Transit Connect Wiring Diagram
 - Exploring Different Genres
 - Considering Fiction vs. Non-Fiction
 - Determining Your Reading Goals
3. Choosing the Right eBook Platform
 - Popular eBook Platforms
 - Features to Look for in an Ford Transit Connect Wiring Diagram
 - User-Friendly Interface
4. Exploring eBook Recommendations from Ford Transit Connect Wiring Diagram
 - Personalized Recommendations
 - Ford Transit Connect Wiring Diagram User Reviews and Ratings
 - Ford Transit Connect Wiring Diagram and Bestseller Lists

5. Accessing Ford Transit Connect Wiring Diagram Free and Paid eBooks
 - Ford Transit Connect Wiring Diagram Public Domain eBooks
 - Ford Transit Connect Wiring Diagram eBook Subscription Services
 - Ford Transit Connect Wiring Diagram Budget-Friendly Options
6. Navigating Ford Transit Connect Wiring Diagram eBook Formats
 - ePub, PDF, MOBI, and More
 - Ford Transit Connect Wiring Diagram Compatibility with Devices
 - Ford Transit Connect Wiring Diagram Enhanced eBook Features
7. Enhancing Your Reading Experience
 - Adjustable Fonts and Text Sizes of Ford Transit Connect Wiring Diagram
 - Highlighting and Note-Taking Ford Transit Connect Wiring Diagram
 - Interactive Elements Ford Transit Connect Wiring Diagram
8. Staying Engaged with Ford Transit Connect Wiring Diagram
 - Joining Online Reading Communities
 - Participating in Virtual Book Clubs
 - Following Authors and Publishers Ford Transit Connect Wiring Diagram
9. Balancing eBooks and Physical Books Ford Transit Connect Wiring Diagram
 - Benefits of a Digital Library
 - Creating a Diverse Reading Collection Ford Transit Connect Wiring Diagram
10. Overcoming Reading Challenges
 - Dealing with Digital Eye Strain
 - Minimizing Distractions
 - Managing Screen Time
11. Cultivating a Reading Routine Ford Transit Connect Wiring Diagram
 - Setting Reading Goals Ford Transit Connect Wiring Diagram
 - Carving Out Dedicated Reading Time
12. Sourcing Reliable Information of Ford Transit Connect Wiring Diagram
 - Fact-Checking eBook Content of Ford Transit Connect Wiring Diagram
 - Distinguishing Credible Sources
13. Promoting Lifelong Learning

- Utilizing eBooks for Skill Development
 - Exploring Educational eBooks
14. Embracing eBook Trends
- Integration of Multimedia Elements
 - Interactive and Gamified eBooks

Ford Transit Connect Wiring Diagram Introduction

In this digital age, the convenience of accessing information at our fingertips has become a necessity. Whether its research papers, eBooks, or user manuals, PDF files have become the preferred format for sharing and reading documents. However, the cost associated with purchasing PDF files can sometimes be a barrier for many individuals and organizations. Thankfully, there are numerous websites and platforms that allow users to download free PDF files legally. In this article, we will explore some of the best platforms to download free PDFs. One of the most popular platforms to download free PDF files is Project Gutenberg. This online library offers over 60,000 free eBooks that are in the public domain. From classic literature to historical documents, Project Gutenberg provides a wide range of PDF files that can be downloaded and enjoyed on various devices. The website is user-friendly and allows users to search for specific titles or browse through different categories. Another reliable platform for downloading Ford Transit Connect Wiring Diagram free PDF files is Open Library. With its vast collection of over 1 million eBooks, Open Library has something for every reader. The website offers a seamless experience by providing options to borrow or download PDF files. Users simply need to create a free account to access this treasure trove of knowledge. Open Library also allows users to contribute by uploading and sharing their own PDF files, making it a collaborative platform for book enthusiasts. For those interested in academic resources, there are websites dedicated to providing free PDFs of research papers and scientific articles. One such website is Academia.edu, which allows researchers and scholars to share their work with a global audience. Users can download PDF files of research papers, theses, and dissertations covering a wide range of subjects. Academia.edu also provides a platform for discussions and networking within the academic community. When it comes to downloading Ford Transit Connect Wiring Diagram free PDF files of magazines, brochures, and catalogs, Issuu is a popular choice. This digital publishing platform hosts a vast collection of publications from around the world. Users can search for specific titles or explore various categories and genres. Issuu offers a seamless reading experience with its user-friendly interface and allows users to download PDF files for offline reading. Apart from dedicated platforms, search engines also play a crucial role in finding free PDF files. Google, for instance, has an advanced search feature that allows users to filter results by file type. By specifying the file type as "PDF," users can find websites that offer free PDF downloads on a specific topic. While downloading Ford Transit Connect Wiring Diagram free PDF files is

convenient, its important to note that copyright laws must be respected. Always ensure that the PDF files you download are legally available for free. Many authors and publishers voluntarily provide free PDF versions of their work, but its essential to be cautious and verify the authenticity of the source before downloading Ford Transit Connect Wiring Diagram. In conclusion, the internet offers numerous platforms and websites that allow users to download free PDF files legally. Whether its classic literature, research papers, or magazines, there is something for everyone. The platforms mentioned in this article, such as Project Gutenberg, Open Library, Academia.edu, and Issuu, provide access to a vast collection of PDF files. However, users should always be cautious and verify the legality of the source before downloading Ford Transit Connect Wiring Diagram any PDF files. With these platforms, the world of PDF downloads is just a click away.

FAQs About Ford Transit Connect Wiring Diagram Books

How do I know which eBook platform is the best for me? Finding the best eBook platform depends on your reading preferences and device compatibility. Research different platforms, read user reviews, and explore their features before making a choice. Are free eBooks of good quality? Yes, many reputable platforms offer high-quality free eBooks, including classics and public domain works. However, make sure to verify the source to ensure the eBook credibility. Can I read eBooks without an eReader? Absolutely! Most eBook platforms offer web-based readers or mobile apps that allow you to read eBooks on your computer, tablet, or smartphone. How do I avoid digital eye strain while reading eBooks? To prevent digital eye strain, take regular breaks, adjust the font size and background color, and ensure proper lighting while reading eBooks. What the advantage of interactive eBooks? Interactive eBooks incorporate multimedia elements, quizzes, and activities, enhancing the reader engagement and providing a more immersive learning experience. Ford Transit Connect Wiring Diagram is one of the best book in our library for free trial. We provide copy of Ford Transit Connect Wiring Diagram in digital format, so the resources that you find are reliable. There are also many Ebooks of related with Ford Transit Connect Wiring Diagram. Where to download Ford Transit Connect Wiring Diagram online for free? Are you looking for Ford Transit Connect Wiring Diagram PDF? This is definitely going to save you time and cash in something you should think about.

Find Ford Transit Connect Wiring Diagram :

[intake for 2015 bongani nursing learnership](#)

[instruction manual craftsman tool](#)

[**institute of chemical engineering technology university of**](#)

integrated science questions and answers

instructor manual bls 2010

instrument engineers handbookthird edition process control

intel d945pvs user manual

integrated science past paper 2013

integrated business processes with erp systems 1st edition

instruction book for kindle paperwhite

instructional manual for a 1996 chevrolet 2500

integrated science study guide answer key

integra dtr 7 7 av reciever service manual

intake at mpumalanga nursing college for2015

instruction manual kubotek keycreator

Ford Transit Connect Wiring Diagram :

circus ny by sam edelman shoes famous footwear - Feb 09 2023

web circus ny by sam edelman has all the playful shoes sandals heels and boots you need to wear your personality on your feet circus ny remains trend driven and embodies the essence of unique flawless style do you play by your own rules then we have the shoes for you it s no work all play in circus ny flats

circus - Jul 02 2022

web find the perfect fashion designing for you in our online clothing store we have the last trends this 2023 with unique and stylish designs in the market shopping is easy fast and safe with us we have worldwide free shipping in

trendy women s sneakers circus ny by sam edelman - Mar 10 2023

web with circus ny you re not just wearing sneakers you re stepping into a world where fashion meets function shop trendy women s sneakers by circus ny stand out in bold metallic glitter women s sneakers velvet sneakers more

women s circus ny shoes nordstrom - May 12 2023

web find a great selection of women s circus ny shoes at nordstrom com shop top women s shoe brands like converse steve madden ugg and more

circus slip on sneaker scholl footwear - Feb 26 2022

web our new women s slip on circus we re not clowning around with this new simple stylish comfortable design featuring our removable podiatrist designed orthaheel shock absorber corrective insert for all day comfort and support you will

loveeverystep in your new circus slip on sneakers

circus by sam edelman shoes for women online sale up to - Nov 06 2022

web offering footwear for all ages and occasions diffusion brand circus by sam edelman delivers collections of toughened up footwear for a younger more rebellious audience from streetwise sneakers to spiky heels circus by sam edelman shoes are the epitome of effortless cool add an edge to your everyday outfits with these rock and roll accessories

[sale women s shoes circus ny by sam edelman](#) - Aug 15 2023

web 10 12 sort by shop sale shoes apparel accessories for women sale shoes say no more find the latest styles for good prices with our collection of sale heels sale boots sale sneakers and more complete your look and find the perfect pair of circus by sam edelman sale shoes to go with that new outfit

circus shoes 6pm - Sep 04 2022

web shop now circus and shoes 339 items found sort by your selections filters were included based on your selections clear all filters shoes circus ny by sam edelman jocelyn color pink multi on sale for 68 54 msrp 89 99 circus ny by sam edelman jocelyn 68 54 msrp 89 99 circus ny by sam edelman jocelyn color metallic multi

circus slip on sneaker - Oct 05 2022

web our new women s slip on circus we re not clowning around with this new simple stylish comfortable design featuring our removable podiatrist designed orthaheel shock absorber corrective insert for all day comfort and support you will loveeverystep in your new circus slip on sneakers

circus shoes free shipping zappos com - Jul 14 2023

web free shipping both ways on circus shoes from our vast selection of styles fast delivery and 24 7 365 real person service with a smile click or call 800 927 7671

women s sandals circus ny by sam edelman - Jan 08 2023

web shop women s sandals by circus ny shop bold trendy women s sandals platforms wedges espadrilles block heels more free shipping 20 off for students

amazon com circus shoes by sam edelman - Apr 11 2023

web amazon com circus shoes by sam edelman 1 48 of 891 results for circus shoes by sam edelman results price and other details may vary based on product size and color circus ny women s carmen ballet flat 61 4895 list 74 95 free delivery fri jul 28 prime try before you buy 16 circus ny women s darielle ankle boot 2 164 4000 list 99 00

women s platform shoes circus ny by sam edelman - Jun 13 2023

web circus ny has crafted a collection of platforms that effortlessly unite comfort and high fashion providing styles that elevate your look both literally and metaphorically with our selection of styles including platform mule heels platform mary

janes platform block heels platform clogs platform wedges and platform loafers it s obvious

[amazon com circus circus shoes](#) - Aug 03 2022

web amazon com circus circus shoes 1 48 of over 2 000 results for circus circus shoes results price and other details may vary based on product size and color overall pick circus ny women s carmen flat 111 3622 list 74 95 free delivery thu nov 9 prime try before you buy 12 circus ny women s deana loafer 751 5395 list 90 00

women s shoes trendy shoes for women circus ny by sam - Sep 16 2023

web shop shoes for women sandals espadrilles platforms wedges heels flats sneakers boots step right into circus ny s extravaganza of women s shoes dance the night away in our trendy bold footwear for women from high octane stilettos to comfy flats we ve got just the shoe to complete your look

[circus by sam edelman heels for women online sale up to](#) - Mar 30 2022

web circus by sam edelman is a youthful diffusion line adding a rebellious spin to the brand s signature look sharp spiky and fiercely stylish circus by sam edelman heels are adorned with tough metal studs glossy patent leather and chunky heels seriously cool and effortlessly wearable these chic shoes will add a cool twist to your evening

[amazon com circus shoes for women](#) - Dec 07 2022

web amazon com circus shoes for women 1 48 of over 6 000 results for circus shoes for women results price and other details may vary based on product size and color circus ny women s carmen flat 109 3609 list 74 95 free delivery prime try before you buy 16 circus ny women s danielle ankle boot 2 448 100 bought in past month 6300

circus ny women s shoes sandals apparel more - Oct 17 2023

web shop circus ny women s shoes made for trendsetters with a rebellious edge explore statement heels boots sandals more free shipping 20 off for students

circus ny all women s shoes - Jun 01 2022

web circus ny all women s shoes 73 shop by category boots booties sneakers flats loafers heels pumps sandals evening wedding sort by delivery pickup free shipping returns available find the perfect women s shoes at macys com huge selection of boots sneakers heels slippers and flats from top brands

[circus by sam edelman ankle boots for women lyst](#) - Apr 30 2022

web shop women s circus by sam edelman ankle boots 116 items on sale from 23 widest selection of new season sale only at lyst com free shipping returns available

istanbul türkiye 2023 best places to visit tripadvisor - May 12 2023

web istanbul tourism tripadvisor has 1 539 362 reviews of istanbul hotels attractions and restaurants making it your best istanbul resource

İstanbul hava durumu tahmini yandex hava durumu - Apr 11 2023

web bugün yarın ve gelecek 1 hafta 10 gün ve 1 ay için ayrıntılı İstanbul hava durumu tahminleri yandex hava durumu nda İstanbul için bölgesel hava durumu

İstanbul seyahati 2023 tripadvisor - Jul 14 2023

web İstanbul seyahat tripadvisor mükemmel bir tatil için İstanbul türkiye gezilecek yerler restoranlar ve konaklama yerleri hakkında 1 539 992 yorum ve İstanbul rehberi sunuyor

istanbul wikipedia - Jun 13 2023

web the city straddles the bosphorus strait lying in both europe and asia and has a population of over 15 million residents comprising 19 of the population of turkey 4 istanbul is the most populous european city c and the world s 15th largest city

İstanbul da gezilecek yerler en popüler 100 yer detaylı - Aug 15 2023

web yeni camii yeni camii osmanlı sultan aileleri tarafından yaptırılmış İstanbul un tarihi camileri arasında yer almış boğaz kıyısında yer alan en görkemli ve İstanbul silüetinin temel simgesi haline gelmiş olan bir camidir İsmi yeni camii olsa da yaklaşık 500 yıllık bir osmanlık camisidir

upstream workbook teacher b2 bing app webshots com - Feb 25 2022

web settle for upstream workbook teacher b2 bing and numerous books assortments from fictions to scientific analysish in any way upstream workbook teacher b2 bing is

[upstream level b1 teacher s book teach learn language](#) - Dec 06 2022

web web read online upstream workbook teacher b2 bing pdf free web apr 1 2023 upstream workbook teacher b2 bing is available in our digital library an online access to it is set

upstream workbook teacher b2 bing bespoke cityam - Jan 27 2022

web may 10 2023 upstream workbook teacher b2 bing 2 8 downloaded from uniport edu ng on may 10 2023 by guest and the use of ai based analytics and big data to enhance the

upstream b2 teacher s book for workbook pdf scribd - Aug 14 2023

web upstream b2 teacher s book for workbook free ebook download as pdf file pdf or read book online for free

upstream workbook teacher b2 bing copy las gnome - May 31 2022

web download books upstream workbook teacher b2 bing download books upstream workbook teacher b2 bing online download books upstream workbook teacher

e pub upstream workbook teacher b2 bing reading free - Nov 24 2021

web oct 23 2015 documents upstream b2 teacher s book for workbook of 175 match case limit results 1 per page upload severin dan post on 23 oct 2015 182 422 views

[download pdf upstream b2 teacher s book for workbook](#) - Apr 10 2023

web download upstream b2 teacher s book for workbook download document 1 2reprin 3 7rep 8 10reprin grammar repri

upstream b2 teachers book by apple issuu - Feb 08 2023

web workbook key upstream b2 uploaded by igor knezevic october 2019 pdf bookmark download this document was uploaded by user and they confirmed that they have the

upstream b2 teacher s book for workbook pdf document - Oct 24 2021

upstream workbook teacher b2 bing uniport edu - Dec 26 2021

web aug 22 2023 e pub upstream workbook teacher b2 bing reading free workbook b2 the big picture advanced teacher s book corrective reading decoding level b2

upstream workbook teacher b2 bing copy uniport edu - Mar 29 2022

web jan 17 2023 upstream workbook teacher b2 bingsay the upstream workbook teacher b2 bing is universally compatible with any devices to read myanonamouse is a

upstream b2 intermediate workbook teachers book pdf - Jul 01 2022

web jan 7 2023 install the upstream workbook teacher b2 bing it is no question easy then past currently we extend the partner to purchase and make bargains to download and

upstream workbook teacher b2 bing copy uniport edu - Sep 03 2022

web aug 22 2023 pub upstream workbook teacher b2 bing free ebook gold experience 2nd edition b2 teacher s book for online resources pack new pack upstream

upstream workbook teacher b2 bing housing gov - Oct 04 2022

web upstream workbook teacher b2 bing 1 8 downloaded from uniport edu ng on september 1 2023 by guest upstream workbook teacher b2 bing as recognized adventure as

upstream b2 teacher s book for workbook pdf document - Jun 12 2023

web oct 23 2015 documents upstream b2 teacher s book for workbook of 175 upload severin dan post on 23 oct 2015 182 418 views category

pdf upstream b2 teacher s book for workbook pdfslide net - May 11 2023

web upstream b2 teacher s book for workbook download pdf report author severin dan view 181 371 download 11 470 *workbook key upstream b2 x4e6e388p3n3 documents and e* - Jan 07 2023

web the workbooks for upstream beginner to pre intermediate contain vocabulary grammar communication reading listening and writing sections with a variety of motivating

upstream workbook teacher b2 bing test naf - Apr 29 2022

web you could buy guide upstream workbook teacher b2 bing or get it as soon as feasible you could quickly download this

upstream workbook teacher b2 bing after getting deal

pub upstream workbook teacher b2 bing free ebook - Aug 02 2022

web upstream upper intermedia te b2 teacher s book bob obee virginia evans express publishing key to workbook nov 5 2017

upstream b2 intermediate

upstream upper intermediate b2 teacher s book pdf - Jul 13 2023

web upstream upper intermediate b2 teacher s book free pdf download 178 pages year 2016 bob books read online pdf room

upstream workbook teacher b2 bing pdf 2023 - Nov 05 2022

web by workbook upstream b1 answers bing upstream workbook teacher b2 bing upstream workbook teacher b2 bing

pdfsdirncom upstream workbook teacher

upstream b2 workbook pdf scribd - Mar 09 2023

web upstream b2 workbook read online for free iste workbook student s upper intermediate virginia evans bob obee lali a

express publishing published