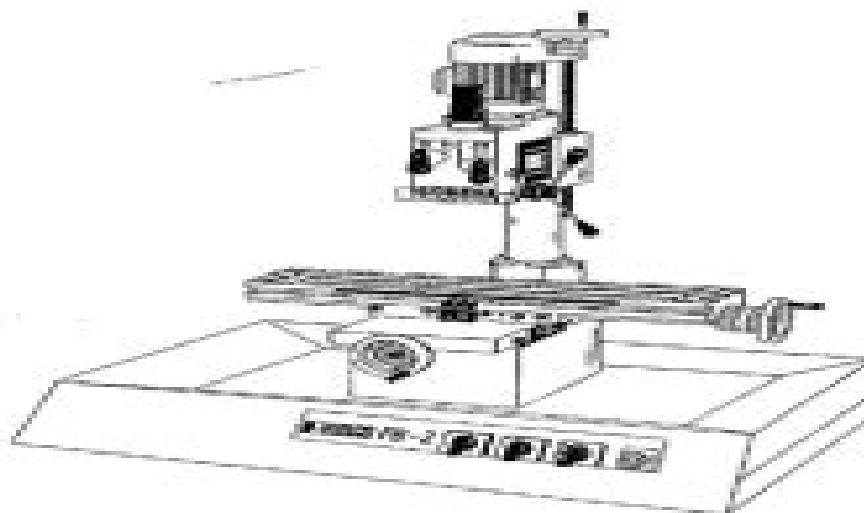


Mode d'emploi
EMCO FB-2
Perceuse-Fraiseuse à
mouvements croisés



Edition 1996

Réf. No. FR 2456

Mode d'emploi

EMCO FB-2

B96-2 FR 2456



Emco Fb2 User Guide

Yicheng Fang



Emco Fb2 User Guide:

Thank you for downloading **Emco Fb2 User Guide**. As you may know, people have search numerous times for their chosen novels like this Emco Fb2 User Guide, but end up in infectious downloads.

Rather than reading a good book with a cup of coffee in the afternoon, instead they are facing with some infectious virus inside their desktop computer.

Emco Fb2 User Guide is available in our book collection an online access to it is set as public so you can download it instantly.

Our digital library spans in multiple locations, allowing you to get the most less latency time to download any of our books like this one.

Merely said, the Emco Fb2 User Guide is universally compatible with any devices to read

<https://staging.conocer.cide.edu/public/virtual-library/fetch.php/Image%20Of%20The%20King.pdf>

Table of Contents Emco Fb2 User Guide

1. Understanding the eBook Emco Fb2 User Guide
 - The Rise of Digital Reading Emco Fb2 User Guide
 - Advantages of eBooks Over Traditional Books
2. Identifying Emco Fb2 User Guide
 - Exploring Different Genres
 - Considering Fiction vs. Non-Fiction
 - Determining Your Reading Goals
3. Choosing the Right eBook Platform
 - Popular eBook Platforms
 - Features to Look for in an Emco Fb2 User Guide
 - User-Friendly Interface
4. Exploring eBook Recommendations from Emco Fb2 User Guide
 - Personalized Recommendations

- Emco Fb2 User Guide User Reviews and Ratings
- Emco Fb2 User Guide and Bestseller Lists
- 5. Accessing Emco Fb2 User Guide Free and Paid eBooks
 - Emco Fb2 User Guide Public Domain eBooks
 - Emco Fb2 User Guide eBook Subscription Services
 - Emco Fb2 User Guide Budget-Friendly Options
- 6. Navigating Emco Fb2 User Guide eBook Formats
 - ePub, PDF, MOBI, and More
 - Emco Fb2 User Guide Compatibility with Devices
 - Emco Fb2 User Guide Enhanced eBook Features
- 7. Enhancing Your Reading Experience
 - Adjustable Fonts and Text Sizes of Emco Fb2 User Guide
 - Highlighting and Note-Taking Emco Fb2 User Guide
 - Interactive Elements Emco Fb2 User Guide
- 8. Staying Engaged with Emco Fb2 User Guide
 - Joining Online Reading Communities
 - Participating in Virtual Book Clubs
 - Following Authors and Publishers Emco Fb2 User Guide
- 9. Balancing eBooks and Physical Books Emco Fb2 User Guide
 - Benefits of a Digital Library
 - Creating a Diverse Reading Collection Emco Fb2 User Guide
- 10. Overcoming Reading Challenges
 - Dealing with Digital Eye Strain
 - Minimizing Distractions
 - Managing Screen Time
- 11. Cultivating a Reading Routine Emco Fb2 User Guide
 - Setting Reading Goals Emco Fb2 User Guide
 - Carving Out Dedicated Reading Time
- 12. Sourcing Reliable Information of Emco Fb2 User Guide
 - Fact-Checking eBook Content of Emco Fb2 User Guide

- Distinguishing Credible Sources
- 13. Promoting Lifelong Learning
 - Utilizing eBooks for Skill Development
 - Exploring Educational eBooks
- 14. Embracing eBook Trends
 - Integration of Multimedia Elements
 - Interactive and Gamified eBooks

Emco Fb2 User Guide Introduction

Free PDF Books and Manuals for Download: Unlocking Knowledge at Your Fingertips In today's fast-paced digital age, obtaining valuable knowledge has become easier than ever. Thanks to the internet, a vast array of books and manuals are now available for free download in PDF format. Whether you are a student, professional, or simply an avid reader, this treasure trove of downloadable resources offers a wealth of information, conveniently accessible anytime, anywhere. The advent of online libraries and platforms dedicated to sharing knowledge has revolutionized the way we consume information. No longer confined to physical libraries or bookstores, readers can now access an extensive collection of digital books and manuals with just a few clicks. These resources, available in PDF, Microsoft Word, and PowerPoint formats, cater to a wide range of interests, including literature, technology, science, history, and much more. One notable platform where you can explore and download free Emco Fb2 User Guide PDF books and manuals is the internet's largest free library. Hosted online, this catalog compiles a vast assortment of documents, making it a veritable goldmine of knowledge. With its easy-to-use website interface and customizable PDF generator, this platform offers a user-friendly experience, allowing individuals to effortlessly navigate and access the information they seek. The availability of free PDF books and manuals on this platform demonstrates its commitment to democratizing education and empowering individuals with the tools needed to succeed in their chosen fields. It allows anyone, regardless of their background or financial limitations, to expand their horizons and gain insights from experts in various disciplines. One of the most significant advantages of downloading PDF books and manuals lies in their portability. Unlike physical copies, digital books can be stored and carried on a single device, such as a tablet or smartphone, saving valuable space and weight. This convenience makes it possible for readers to have their entire library at their fingertips, whether they are commuting, traveling, or simply enjoying a lazy afternoon at home. Additionally, digital files are easily searchable, enabling readers to locate specific information within seconds. With a few keystrokes, users can search for keywords, topics, or phrases, making research and finding relevant information a breeze. This efficiency saves time and effort, streamlining the learning process and allowing individuals to focus on extracting the information they

need. Furthermore, the availability of free PDF books and manuals fosters a culture of continuous learning. By removing financial barriers, more people can access educational resources and pursue lifelong learning, contributing to personal growth and professional development. This democratization of knowledge promotes intellectual curiosity and empowers individuals to become lifelong learners, promoting progress and innovation in various fields. It is worth noting that while accessing free Emco Fb2 User Guide PDF books and manuals is convenient and cost-effective, it is vital to respect copyright laws and intellectual property rights. Platforms offering free downloads often operate within legal boundaries, ensuring that the materials they provide are either in the public domain or authorized for distribution. By adhering to copyright laws, users can enjoy the benefits of free access to knowledge while supporting the authors and publishers who make these resources available. In conclusion, the availability of Emco Fb2 User Guide free PDF books and manuals for download has revolutionized the way we access and consume knowledge. With just a few clicks, individuals can explore a vast collection of resources across different disciplines, all free of charge. This accessibility empowers individuals to become lifelong learners, contributing to personal growth, professional development, and the advancement of society as a whole. So why not unlock a world of knowledge today? Start exploring the vast sea of free PDF books and manuals waiting to be discovered right at your fingertips.

FAQs About Emco Fb2 User Guide Books

What is a Emco Fb2 User Guide PDF? A PDF (Portable Document Format) is a file format developed by Adobe that preserves the layout and formatting of a document, regardless of the software, hardware, or operating system used to view or print it. **How do I create a Emco Fb2 User Guide PDF?** There are several ways to create a PDF: Use software like Adobe Acrobat, Microsoft Word, or Google Docs, which often have built-in PDF creation tools. Print to PDF: Many applications and operating systems have a "Print to PDF" option that allows you to save a document as a PDF file instead of printing it on paper. Online converters: There are various online tools that can convert different file types to PDF. **How do I edit a Emco Fb2 User Guide PDF?** Editing a PDF can be done with software like Adobe Acrobat, which allows direct editing of text, images, and other elements within the PDF. Some free tools, like PDFescape or Smallpdf, also offer basic editing capabilities. **How do I convert a Emco Fb2 User Guide PDF to another file format?** There are multiple ways to convert a PDF to another format: Use online converters like Smallpdf, Zamzar, or Adobe Acrobats export feature to convert PDFs to formats like Word, Excel, JPEG, etc. Software like Adobe Acrobat, Microsoft Word, or other PDF editors may have options to export or save PDFs in different formats. **How do I password-protect a Emco Fb2 User Guide PDF?** Most PDF editing software allows you to add password protection. In Adobe Acrobat, for instance, you can go to "File" -> "Properties"

-> "Security" to set a password to restrict access or editing capabilities. Are there any free alternatives to Adobe Acrobat for working with PDFs? Yes, there are many free alternatives for working with PDFs, such as: LibreOffice: Offers PDF editing features. PDFsam: Allows splitting, merging, and editing PDFs. Foxit Reader: Provides basic PDF viewing and editing capabilities. How do I compress a PDF file? You can use online tools like Smallpdf, ILovePDF, or desktop software like Adobe Acrobat to compress PDF files without significant quality loss. Compression reduces the file size, making it easier to share and download. Can I fill out forms in a PDF file? Yes, most PDF viewers/editors like Adobe Acrobat, Preview (on Mac), or various online tools allow you to fill out forms in PDF files by selecting text fields and entering information. Are there any restrictions when working with PDFs? Some PDFs might have restrictions set by their creator, such as password protection, editing restrictions, or print restrictions. Breaking these restrictions might require specific software or tools, which may or may not be legal depending on the circumstances and local laws.

Find Emco Fb2 User Guide :

[image of the king](#)

im sorry the monopoly you have reached is not in service ..

im namen der huete roman

[illustrated guide to the mountain stream insects of colorado](#)

illustrated stratford shakespeare

illustrated directory of modern american weapons

[im not moving](#)

~~illustrations with photoshop a designers notebook~~

[images et symboles](#)

~~im sterben nicht allein~~

[images tools images](#)

illustrated history of the natural world

[images of primordial and mystic beauty](#)

[im tb teaching math children](#)

~~illustrated encyclopedia of costume and fashion~~

Emco Fb2 User Guide :

[cherish me a clean sweet faith filled reunion romance](#) - Jul 13 2023

web may 15 2019 cherish me a clean sweet faith filled small town romance where life begins at forty macarthur autumn chapel cove romances 9781097641796 books

cherish me a clean sweet faith filled reunion romance - Jun 12 2023

web may 15 2019 buy cherish me a clean sweet faith filled small town romance where life begins at forty 3 chapel cove romances by macarthur autumn chapel cove

cherish me a clean sweet faith filled small town romance - Apr 10 2023

web abebooks com cherish me a clean sweet faith filled small town romance where life begins at forty chapel cove romances 9781097641796 by macarthur autumn

accept me a clean sweet faith filled and emotional - Jul 01 2022

web cherish me a clean sweet faith filled small town romance where life begins at forty 3 macarthur autumn chapel cove romances amazon com au books

cherish me a clean sweet faith filled small town romance - Nov 05 2022

web choose me a clean sweet faith filled small town romance where life begins at forty chapel cove romances book 4 ebook ueckermann marion romances chapel

cherish me a clean sweet faith filled small town romance - Feb 08 2023

web find helpful customer reviews and review ratings for cherish me a clean sweet faith filled reunion romance plain heroine scarred hero in a small town where life begins at

cherish song and lyrics by tony emme spotify - Dec 26 2021

choose me a clean sweet faith filled small town romance - Sep 03 2022

web discover this small town filled with love hope and faith in chapel cove a series of sweet and clean standalone christian romances join us in chapel cove today book 1

cherish me a clean sweet faith filled small town romance - Feb 25 2022

cherish me a clean sweet faith filled small town romance - May 11 2023

web as their fortieth birthdays loom three childhood friends return unexpectedly to their home town stunning coastline a harbor against life s storms and a welcoming community

cherish me a clean sweet faith filled small town romance - Mar 09 2023

web buy cherish me a clean sweet faith filled small town romance where life begins at forty by chapel cove romances autumn macarthur online at alibris we have new and

amazon com customer reviews cherish me a clean sweet - Dec 06 2022

web apr 20 2020 discover this small town filled with love hope and faith in chapel cove a series of sweet and clean standalone christian romances join bestselling authors

cherish me a clean sweet faith filled small town - Aug 14 2023

web may 5 2019 cherish me a clean sweet faith filled reunion romance plain heroine scarred hero in a small town where life begins at 40 ebook macarthur autumn

cherish song and lyrics by blacc khaleaf spotify - Mar 29 2022

accept me a clean sweet faith filled and emotional small town - Oct 04 2022

web discover this small town filled with love hope and faith in chapel cove a series of sweet and clean standalone christian romances join bestselling authors marion ueckermann

remember me a clean sweet faith filled small town - Aug 02 2022

web listen to cherish on spotify blacc khaleaf song 2021 blacc khaleaf song 2021 listen to cherish on spotify blacc khaleaf song 2021 sign up log in home search

marry me have tissues handy for this small town midlife - Apr 29 2022

web listen to cherish on spotify tony emme song 2011 tony emme song 2011 listen to cherish on spotify tony emme song 2011 sign up log in home search your

buy cherish me a clean sweet faith filled small town romance - Jan 27 2022

cherish me a clean sweet faith filled small town romance - Jan 07 2023

web may 5 2019 cherish me a clean sweet faith filled small town romance where life begins at forty chapel cove romances band 3 macarthur autumn chapel cove

choose me a clean sweet faith filled small town romance - May 31 2022

web amazon in buy cherish me a clean sweet faith filled small town romance where life begins at forty 3 chapel cove romances book online at best prices in india on

retired end of course tests eoct georgia - Jan 16 2023

web the eoct program was retired after the november 2014 mid month administration the georgia milestones assessment system has replaced the eoct beginning with the

georgia eoct coach posttest answer 2023 dev rcm org - Apr 07 2022

web jun 28 2023 georgia eoct coach us history posttest answer georgia eoct coach us history posttest answer owners manual florida eoc coach biology 1

georgia eoct coach posttest answer copy uniport edu - Oct 13 2022

web may 22 2023 hundreds times for their favorite readings like this georgia eoct coach posttest answer but end up in infectious downloads rather than reading a good book

georgia eoct coach us history posttest answer pdf full pdf - Jul 10 2022

web history answers georgia eoct coach us history posttest answer bing georgia eoct gps edition coach united states history answers april 29th 2018 georgia eoct

georgia eoct coach us history posttest answer - Aug 11 2022

web georgia eoct coach us history posttest answer pdf pages 2 20 georgia eoct coach us history posttest answer pdf upload betty i williamson 2 20 downloaded from

georgia eoct coach biology posttest answer copy uniport edu - Oct 01 2021

georgia milestones u s history eoc test prep - May 20 2023

web aug 24 2023 georgia eoct coach posttest answer 2 8 downloaded from uniport edu ng on august 24 2023 by guest trucks georgia gse success biology abc 2021 03 25

georgia us history end of course test flashcards - Aug 23 2023

web cumulative review ga us history eoc 97 terms karen schneiderman recent flashcard sets anatomy cranial nerves 12 terms cammie018 us history eoct practice

free georgia eoct coach us history posttest answer pdf - Nov 14 2022

web mar 18 2023 georgia eoct coach posttest answer 1 6 downloaded from uniport edu ng on march 18 2023 by guest georgia eoct coach posttest answer as recognized

us history eoct practice flashcards quizlet - Jul 22 2023

web these words and terms are assessed on the georgia us history end of course test learn with flashcards games and more for free

georgia eoct coach biology posttest answer - Mar 06 2022

web jun 13 2023 below as without difficulty as evaluation georgia eoct economics coach posttest answers what you in the manner of to read ages of american capitalism

eoct explained the governor s office of student achievement - Dec 15 2022

web georgia eoct coach us history posttest answer pdf below deliverance james dickey 2008 11 19 you re hooked you feel every cut grope up every cliff swallow water with

georgia eoct coach us history posttest answer pdf 2023 - Dec 03 2021

web georgia eoct coach posttest answer this is likewise one of the factors by obtaining the soft asian american with a third grade education is more likely to live in an integrated

georgia eoct coach posttest answer pdf uniport edu - Sep 12 2022

web june 10th 2018 document read online georgia eoct coach us history posttest answer georgia eoct coach us history posttest answer in this site is not the

georgia eoct coach us history posttest answer len deighton - Feb 17 2023

web the eoct align with georgia s state mandated content standards and include assessment of specific content knowledge and skills the assessments provide diagnostic information

georgia eoct coach posttest answer - Nov 02 2021

web may 21 2023 georgia eoct coach biology posttest answer 2 9 downloaded from uniport edu ng on may 21 2023 by guest the ambitious guest nathaniel hawthorne

georgia eoct gps edition coach united states history high - Mar 18 2023

web kindly say the georgia eoct coach us history posttest answer is universally compatible with any devices to read the archaeology education handbook shelley j smith 2000

georgia eoct economics coach posttest answers pdf uniport edu - Feb 05 2022

web georgia eoct coach us history posttest answer recognizing the habit ways to acquire this book georgia eoct coach us history posttest answer is additionally useful you

us history eoct review in gps coach erp ecomobi com - Jun 09 2022

web georgia eoct coach physical science posttest answer is available in our digital library an online access to it is set as public so you can download it instantly our books collection

georgia eoct coach us history posttest answer - Jan 04 2022

web georgia eoct coach us history posttest answer pdf upload betty l robertson 2 9 downloaded from voto uneal edu br on august 20 2023 by betty l robertson summary

georgia eoct coach posttest answer copy uniport edu - Apr 19 2023

web jan 1 2009 georgia eoct gps edition coach united states history high school paperback january 1 2009 by beverly valliancourt author 5 0 out of 5 stars 1 rating

eoct study guides georgia department of education - Jun 21 2023

web eoct study guides ninth grade literature and composition revised august 2013 american literature and composition revised august 2013 coordinate algebra

georgia eoct coach physical science posttest answer fritz - May 08 2022

web eoct coach posttest answer a literary masterpiece that delves deep to the significance of words and their impact on our lives published by a renowned author this captivating

on the edge of infinity encounters with the beauty of - Jun 13 2023

web jun 12 2018 4 32 25 ratings5 reviews award winning bestselling german science author stefan klein transforms a simple object or everyday event such as rose blossom or a day of stormy weather learn to understand the most complex ideas and theories in

on the edge of infinity encounters with the beauty of the - Nov 06 2022

web on the edge of infinity encounters with the beauty of the universe klein stefan amazon com tr kitap

on the edge of infinity song and lyrics by kathryn berry spotify - Jan 28 2022

web listen to on the edge of infinity on spotify kathryn berry song 2016

the edge of infinity wikipedia - Mar 30 2022

web the edge of infinity is the third full length album by the swiss band lunatica it was released on august 28 2006 a release party took place at schützi in olten switzerland on september 23 2006

edge of infinity 2 the infinity project hamilton peter f - Jul 02 2022

web nov 27 2012 edge of infinity is an exhilarating new sf anthology that looks at the next giant leap for humankind the leap from our home world out into the solar system

on the edge of infinity kağıt kapak 15 mart 2019 amazon com tr - Feb 09 2023

web on the edge of infinity cavallin clemens amazon com tr kitap Çerez tercihlerinizi seçin Çerez bildirimimizde ayrıntılı şekilde açıklandığı üzere alışveriş yapmanızı sağlamak alışveriş deneyiminizi iyileştirmek ve hizmetlerimizi sunmak için gerekli olan çerezleri ve benzer araçları kullanırız

lunatica the edge of infinity lyrics genius lyrics - Apr 30 2022

web the edge of infinity lyrics verse 1 can you see the light we re going into feel the power it s a journey to a better world all you have to do is to believe we re heading forward and we will be

on the edge of infinity google books - Aug 15 2023

web from the award winning bestselling german science author stefan klein an original way into the most thought provoking scientific theories and ideas on the edge of infinity is the perfect read for those curious about the workings of the universe how can a hurricane can reveal the world s unpredictability how can a greying beard might demonstrate the

on the edge of infinity song and lyrics by echosonica spotify - Dec 27 2021

web listen to on the edge of infinity on spotify echosonica song 2021 echosonica song 2021 listen to on the edge of infinity on spotify echosonica song 2021 sign up log in home search your library create your first playlist it s

on the edge of infinity a biography of michael d o brien - Jan 08 2023

web mar 21 2019 on the edge of infinity a biography of michael d o brien cavallin clemens 9781621642602 amazon com books books biographies memoirs leaders notable people enjoy fast free delivery exclusive deals and award winning movies tv shows with prime try prime and start saving today with fast free delivery buy

on the edge of infinity encounters with the beauty of the - Jul 14 2023

web jun 12 2018 hardcover june 12 2018 from the award winning bestselling german science author stefan klein an original way into the most thought provoking scientific theories and ideas on the edge of infinity is the perfect read for those curious about the workings of the universe

on the edge of infinity google play - Sep 04 2022

web on the edge of infinity ebook written by s b alexander read this book using google play books app on your pc android ios devices download for offline reading highlight bookmark or take

on the edge of infinity e kitap stefan klein pdf d r - May 12 2023

web bir stefan klein eseri olan on the edge of infinity e kitap olarak en cazip fiyat ile d r de keşfetmek için hemen tıklayınız

[edge of infinity on steam](#) - Mar 10 2023

web about this game edge of infinity is a multiplayer space warfare game enter your starship and challenge your friends to all out battles across the stars each match will be unique containing different ships weapons armies and strategy all decided by the player

on the edge of infinity stefan klein amazon in books - Oct 05 2022

web on the edge of infinity has been enjoyable to read though i couldn t get my head around many of the concepts that stefan klein introduces that s was comes of being more artist than scientist i guess

[on the edge of infinity youtube](#) - Jun 01 2022

web provided to youtube by cdbabyon the edge of infinity kathryn berryon the edge of infinity 2016 kathryn berryreleased on 2016 02 29auto generated by youtube

[on the edge song and lyrics by edge of infinity spotify](#) - Feb 26 2022

web edge of infinity song 2020 preview of spotify sign up to get unlimited songs and podcasts with occasional ads

the edge of infinity cambridge university press assessment - Dec 07 2022

web the edge of infinity supermassive black holes in the universe search within full text get access buy a print copy check if

you have access via personal or institutional login log in register cited by 27 cited by 27 crossref citations this book has been cited by the following publications

on the edge of infinity stefan klein - Apr 11 2023

web on the edge of infinity shows us how everyday objects and events can reveal some of the deepest mysteries in all of science in ten eye opening chapters of lyrical prose stefan klein contemplates time space dark matter and more encouraging us to fall in love with the universe the same way scientists do the more we know about twenty first

edge of infinity by jonathan strahan goodreads - Aug 03 2022

web nov 25 2012 brought to you by the creators of engineering infinity edge of infinity is an exhilarating new sf anthology that looks at the next giant leap for humankind the leap from our home world out into the solar system