

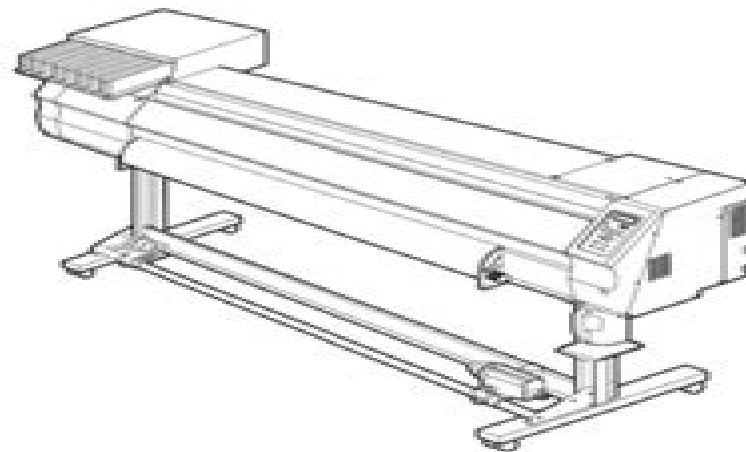
MAINTENANCE MANUAL

MIMAKI

JV33-160
JV33-130

MAINTENANCE MANUAL

Revision 1.1



MIMAKI ENGINEERING CO., LTD.

TKB Gotenyama Building, 5-9-41, Kitashinagawa, Shinagawa-ku, Tokyo 141-0001, Japan

Phone : +81-3-5420-8671 Fax : +81-3-5420-8687

URL : <http://www.mimaki.co.jp/>

D500346-11

Mimaki Jv33 Maintenance Manual

K Morrison



Mimaki Jv33 Maintenance Manual:

This is likewise one of the factors by obtaining the soft documents of this **Mimaki Jv33 Maintenance Manual** by online. You might not require more period to spend to go to the ebook foundation as skillfully as search for them. In some cases, you likewise complete not discover the notice Mimaki Jv33 Maintenance Manual that you are looking for. It will utterly squander the time.

However below, bearing in mind you visit this web page, it will be as a result extremely simple to get as with ease as download lead Mimaki Jv33 Maintenance Manual

It will not bow to many mature as we notify before. You can get it even though pretense something else at house and even in your workplace. in view of that easy! So, are you question? Just exercise just what we manage to pay for below as without difficulty as evaluation **Mimaki Jv33 Maintenance Manual** what you taking into consideration to read!

https://staging.conocer.cide.edu/data/scholarship/fetch.php/leacutevangile_des_damneacutes_au_commencement.pdf

Table of Contents Mimaki Jv33 Maintenance Manual

1. Understanding the eBook Mimaki Jv33 Maintenance Manual
 - The Rise of Digital Reading Mimaki Jv33 Maintenance Manual
 - Advantages of eBooks Over Traditional Books
2. Identifying Mimaki Jv33 Maintenance Manual
 - Exploring Different Genres
 - Considering Fiction vs. Non-Fiction
 - Determining Your Reading Goals
3. Choosing the Right eBook Platform
 - Popular eBook Platforms
 - Features to Look for in an Mimaki Jv33 Maintenance Manual
 - User-Friendly Interface
4. Exploring eBook Recommendations from Mimaki Jv33 Maintenance Manual

- Personalized Recommendations
- Mimaki Jv33 Maintenance Manual User Reviews and Ratings
- Mimaki Jv33 Maintenance Manual and Bestseller Lists
- 5. Accessing Mimaki Jv33 Maintenance Manual Free and Paid eBooks
 - Mimaki Jv33 Maintenance Manual Public Domain eBooks
 - Mimaki Jv33 Maintenance Manual eBook Subscription Services
 - Mimaki Jv33 Maintenance Manual Budget-Friendly Options
- 6. Navigating Mimaki Jv33 Maintenance Manual eBook Formats
 - ePub, PDF, MOBI, and More
 - Mimaki Jv33 Maintenance Manual Compatibility with Devices
 - Mimaki Jv33 Maintenance Manual Enhanced eBook Features
- 7. Enhancing Your Reading Experience
 - Adjustable Fonts and Text Sizes of Mimaki Jv33 Maintenance Manual
 - Highlighting and Note-Taking Mimaki Jv33 Maintenance Manual
 - Interactive Elements Mimaki Jv33 Maintenance Manual
- 8. Staying Engaged with Mimaki Jv33 Maintenance Manual
 - Joining Online Reading Communities
 - Participating in Virtual Book Clubs
 - Following Authors and Publishers Mimaki Jv33 Maintenance Manual
- 9. Balancing eBooks and Physical Books Mimaki Jv33 Maintenance Manual
 - Benefits of a Digital Library
 - Creating a Diverse Reading Collection Mimaki Jv33 Maintenance Manual
- 10. Overcoming Reading Challenges
 - Dealing with Digital Eye Strain
 - Minimizing Distractions
 - Managing Screen Time
- 11. Cultivating a Reading Routine Mimaki Jv33 Maintenance Manual
 - Setting Reading Goals Mimaki Jv33 Maintenance Manual
 - Carving Out Dedicated Reading Time
- 12. Sourcing Reliable Information of Mimaki Jv33 Maintenance Manual

-
- Fact-Checking eBook Content of Mimaki Jv33 Maintenance Manual
 - Distinguishing Credible Sources
13. Promoting Lifelong Learning
- Utilizing eBooks for Skill Development
 - Exploring Educational eBooks
14. Embracing eBook Trends
- Integration of Multimedia Elements
 - Interactive and Gamified eBooks

Mimaki Jv33 Maintenance Manual Introduction

Free PDF Books and Manuals for Download: Unlocking Knowledge at Your Fingertips In today's fast-paced digital age, obtaining valuable knowledge has become easier than ever. Thanks to the internet, a vast array of books and manuals are now available for free download in PDF format. Whether you are a student, professional, or simply an avid reader, this treasure trove of downloadable resources offers a wealth of information, conveniently accessible anytime, anywhere. The advent of online libraries and platforms dedicated to sharing knowledge has revolutionized the way we consume information. No longer confined to physical libraries or bookstores, readers can now access an extensive collection of digital books and manuals with just a few clicks. These resources, available in PDF, Microsoft Word, and PowerPoint formats, cater to a wide range of interests, including literature, technology, science, history, and much more. One notable platform where you can explore and download free Mimaki Jv33 Maintenance Manual PDF books and manuals is the internet's largest free library. Hosted online, this catalog compiles a vast assortment of documents, making it a veritable goldmine of knowledge. With its easy-to-use website interface and customizable PDF generator, this platform offers a user-friendly experience, allowing individuals to effortlessly navigate and access the information they seek. The availability of free PDF books and manuals on this platform demonstrates its commitment to democratizing education and empowering individuals with the tools needed to succeed in their chosen fields. It allows anyone, regardless of their background or financial limitations, to expand their horizons and gain insights from experts in various disciplines. One of the most significant advantages of downloading PDF books and manuals lies in their portability. Unlike physical copies, digital books can be stored and carried on a single device, such as a tablet or smartphone, saving valuable space and weight. This convenience makes it possible for readers to have their entire library at their fingertips, whether they are commuting, traveling, or simply enjoying a lazy afternoon at home. Additionally, digital files are easily searchable, enabling readers to locate specific information within seconds. With a few keystrokes, users can search for keywords, topics, or phrases, making research and finding relevant information a breeze.

This efficiency saves time and effort, streamlining the learning process and allowing individuals to focus on extracting the information they need. Furthermore, the availability of free PDF books and manuals fosters a culture of continuous learning. By removing financial barriers, more people can access educational resources and pursue lifelong learning, contributing to personal growth and professional development. This democratization of knowledge promotes intellectual curiosity and empowers individuals to become lifelong learners, promoting progress and innovation in various fields. It is worth noting that while accessing free Mimaki Jv33 Maintenance Manual PDF books and manuals is convenient and cost-effective, it is vital to respect copyright laws and intellectual property rights. Platforms offering free downloads often operate within legal boundaries, ensuring that the materials they provide are either in the public domain or authorized for distribution. By adhering to copyright laws, users can enjoy the benefits of free access to knowledge while supporting the authors and publishers who make these resources available. In conclusion, the availability of Mimaki Jv33 Maintenance Manual free PDF books and manuals for download has revolutionized the way we access and consume knowledge. With just a few clicks, individuals can explore a vast collection of resources across different disciplines, all free of charge. This accessibility empowers individuals to become lifelong learners, contributing to personal growth, professional development, and the advancement of society as a whole. So why not unlock a world of knowledge today? Start exploring the vast sea of free PDF books and manuals waiting to be discovered right at your fingertips.

FAQs About Mimaki Jv33 Maintenance Manual Books

How do I know which eBook platform is the best for me? Finding the best eBook platform depends on your reading preferences and device compatibility. Research different platforms, read user reviews, and explore their features before making a choice. Are free eBooks of good quality? Yes, many reputable platforms offer high-quality free eBooks, including classics and public domain works. However, make sure to verify the source to ensure the eBook credibility. Can I read eBooks without an eReader? Absolutely! Most eBook platforms offer web-based readers or mobile apps that allow you to read eBooks on your computer, tablet, or smartphone. How do I avoid digital eye strain while reading eBooks? To prevent digital eye strain, take regular breaks, adjust the font size and background color, and ensure proper lighting while reading eBooks. What the advantage of interactive eBooks? Interactive eBooks incorporate multimedia elements, quizzes, and activities, enhancing the reader engagement and providing a more immersive learning experience. Mimaki Jv33 Maintenance Manual is one of the best book in our library for free trial. We provide copy of Mimaki Jv33 Maintenance Manual in digital format, so the resources that you find are reliable. There are also many Ebooks of related with Mimaki Jv33 Maintenance Manual. Where to download Mimaki Jv33 Maintenance Manual online for free? Are you looking for Mimaki Jv33 Maintenance Manual

PDF? This is definitely going to save you time and cash in something you should think about.

Find Mimaki Jv33 Maintenance Manual :

~~leacutevangile des damneacutes au commencement~~

le septiegraveme jureacute sceacutenario du film

~~le theacuteacircetre au xviiie siegravecle~~

~~le retoucheur confession dun tueur de sangfroid~~

~~le reflet didier daenineckx point de vue~~

leaf identifying guide

~~le petit compagnon du goucircter~~

le pull de noeumll

le theacuteacircetre de thomas kilroy

~~le professeur de musique~~

~~le village aeacuterien with frenchenglish glossary~~

le sahara histoire guerres et conquecirctes

le raid des quatre chacircteaux signe de piste

~~le queacutebec en bref~~

~~le vieil homme et la petite fleur~~

Mimaki Jv33 Maintenance Manual :

frog dissection post lab questions flashcards quizlet - Apr 11 2023

web study flashcards on biology frog dissection post lab questions at cram com quickly memorize the terms phrases and much more cram com makes it easy to get the grade

post lab questions and answers frog dissection - Nov 25 2021

virtual lab virtual frog dissection post lab quiz and lab report - Dec 07 2022

web in this investigation you will observe the external features of a preserved frog and identify parts of its external anatomy you will also dissect the preserved frog to observe its

post lab questions and answers frog dissection - Sep 23 2021

frog dissection lab and answer sheet syndaver - May 12 2023

web start studying frog dissection post lab questions learn vocabulary terms and more with flashcards games and other study tools

biology frog dissection post lab questions cram com - Mar 10 2023

web gall bladder 3 lobes of the liver right lobe left anterior lobe left posterior lobe first major site of chemical digestion where the esophagus leads to stomach sewer structure

frog dissection labeling worksheet ojo post lab questions the - Jul 02 2022

web frog dissection post lab questions name 1 the membrane holds the coils of the small intestine together 2 this organ is found under the liver it stores bile

study guide diagrams - Jun 01 2022

web lesson plan for the frog dissection frogs are vertebrates in a class called amphibians frogs have similar body systems like the digestive and circulatory systems to other

post lab questions frog dissection diagram quizlet - Jul 14 2023

web post lab questions 1 the membrane holds the coils of the small intestine together 2 this organ is found under the liver it stores bile 3 name the 3 lobes of

frog dissection post lab questions flashcards quizlet - Feb 09 2023

web post laboratory questions 1 the dorsal side of the leopard frog a is a light solid color b is a colored and patterned c is initially cut during a dissection d a and c 2 in

dissection 101 frog dissection lesson plan pbs learningmedia - Jan 28 2022

web post lab questions and answers frog dissection yeah reviewing a book post lab questions and answers frog dissection could amass your close friends listings this

post lab questions and answers frog dissection - Oct 25 2021

frog dissection lab answer key slideshare - Mar 30 2022

web kindly say the post lab questions and answers frog dissection is universally compatible with any devices to read a comparative study of elite english medium

lab frog dissection introduction astephensscience - Aug 03 2022

web jul 16 2015 frog dissection lab answer key 1 frog dissection group names materials dissecting pins forceps scissors paper towel dissecting probe

frog dissection external and internal biology libretexts - Jun 13 2023

web 1 what class does the frog belong to 2 why does a frog belong to that class 3 why are amphibians considered to be a unique evolutionary group part b external anatomy

lab report frog dissection pdf frog anatomy scribd - Apr 30 2022

web nov 18 2010 day 1 external anatomy of the frog 1 obtain a preserved frog rinse the frog in the sink and place it in a dissecting tray 2 label the following dissecting terms

student guide to the frog dissection the biology corner - Jan 08 2023

web frog dissection post lab assessment quiz for kg students find other quizzes for science and more on quizizz for free

frog dissection guide high school science lesson - Nov 06 2022

web may 20 2023 post lab questions the membrane holds the coils of the small intestine together 2 organ is found under the liver it stores bile

frog dissection lab sheet 1 pre post questions name - Oct 05 2022

web dissecting pins forceps scissors paper towel dissecting probe preserved frog dissection tray purpose in this lab you will dissect an frog in order to observe the

post lab questions diagram studylib net - Feb 26 2022

web post lab questions and answers frog dissection when somebody should go to the book stores search foundation by shop shelf by shelf it is in reality it will certainly

biology frog dissection lab slideshare - Dec 27 2021

frog dissection post lab questions flashcards quizlet - Aug 15 2023

web learn test match created by kwilliams19mma terms in this set 14 mesentary membrane that holds the coils of the small intestine together gall bladder stores bile found under

frog dissection post lab assessment quizizz - Sep 04 2022

web third part is the internal anatomy dissection here it is subdivided into two parts first is to separate the skin of the frog to its muscle layer and the second part is separating the

programming with java a primer third edition google books - Sep 09 2022

web jun 4 2014 programming with java a primer third edition programming with java a primer e balaguruswamy mcgraw hill professionals jun 4 2014 computers 483 pages programming with java 3e incorporates all the updates and enhancements added to java 2 and j2se 5 0 releases

programming with java e balagurusamy google books - Oct 22 2023

web mar 25 2019 retaining its quintessential style of concept explanation with exhaustive programs solved examples and

illustrations this test takes the journey of understanding java to slightly higher level

best java course in bangalore with placements java course - Nov 30 2021

web gain the best practices in java training the java course offered by acte normally offers a comprehensive overview of the java programming language and its environment these programs are made for students with different degrees of programming expertise from novices to experts beyond the fundamentals our java training frequently includes

programming with java 6th edition amazon com - Jun 18 2023

web feb 7 2019 programming with java 6th edition balagurusamy on amazon com free shipping on qualifying offers

programming with java 6th edition

programming with java paperback 1 july 2017 amazon in - Jan 13 2023

web buy programming with java book online at low prices in india programming with java reviews ratings amazon in skip to main content in delivering to mumbai 400001 update location books

bala guru java download free pdf or buy books - May 05 2022

web structure difference between c and java java and internet java e balaguru swamy programming with java a primer 3e tata mcgraw hill company view pdf

amazon in e balagurusamy books - Apr 16 2023

web 1 16 of 76 results results programming in ansi c 8th edition by e balagurusamy 25 march 2019 1 314 paperback 630 m r p 680 7 off get it by friday 3 november

download e balagurusamy java java programming pdf - Jul 19 2023

web e balagurusamy java java programming download e balagurusamy java java programming pdf found 100 pdf ebooks reference books 1 professional java jdk 6 ed by richardson avondolio wrox 2 programming with java by e balagurusamy tata mcgraw hill view pdf e balagurusamy programming with java a primer

fillable online inover esy free java bala guru pdf and - Jan 01 2022

web fillable online inover esy free java bala guru pdf and related books free java bala guru pdf and related books fax email print pdfiller we are not affiliated with any brand or entity on this form get the free java bala guru pdf and related books

programming with java a primer 3e google books - May 17 2023

web dec 1 2006 bibliographic information title programming with java a primer 3e author balagurusamy publisher mcgraw hill education india pvt limited 2006 isbn 0070617139 9780070617131

programming with java a primer e balagurusamy google - Mar 15 2023

web oct 30 1999 programming with java a primer is a comprehensive and easy to follow guide for beginners who want to learn the fundamentals of java programming the book covers the basics of syntax data types operators control structures

arrays strings classes objects inheritance polymorphism interfaces packages exceptions threads

[download pdf e balagurusamy programming with java a](#) - Oct 10 2022

web download e balagurusamy programming with java a primer fourth edition type pdf date october 2022 size 149 5kb author arbaz qureshi this document was uploaded by user and they confirmed that they have the permission to share it if you are author or own the copyright of this book please report to us by using this dmca report form report

amazon in balaguruswamy books - Feb 14 2023

web 1 16 of 191 results for balaguruswamy results object oriented programming c balaguruswamy third edition paperback 11 october 2017 2 paperback object oriented programming with c 8th edition paperback balagurusamy e by e balagurusamy 24 september 2020 747 paperback 640 m r p 780 18 off buy 3 items get 5 off

[java book by e balaguruswamy pdf 6 mb latest edition](#) - Aug 20 2023

web feb 28 2017 description about e balaguruswamy java pdf programming book this book contains more than 480 pages of pdf it is written by e balaguguswamy and it is the very helpful book publisher for java programming by e balaguruswamy is tata mcgraw hill education private limited

[bala guru swami c progamming pdf scribd](#) - Jun 06 2022

web bala guru swami c progamming free download as pdf file pdf text file txt or read online for free by reading [java tutorial for beginners learn core java programming guru99](#) - Aug 08 2022

web nov 3 2023 in this java tutorial for beginners you will learn java programming basics like what is java platform jvm how to install java oops concepts variables class object arrays strings command line arguments garbage collection inheritance polymorphism interface constructor packages etc

java programming 18bcs43c by dr s chitra associate - Apr 04 2022

web java is a general purpose object oriented programming langua ge developed by sun microsystems of usa in 1991 originally called oak by james gos ling one of the inventor of the language java was invented for the deve lopment of software for consumer electronic devices like tvs tosters etc

[programming with java 6th edition paperback 25 march 2019](#) - Sep 21 2023

web the sixth edition of this most trusted book on java for beginners is here with some essential updates retaining its quintessential style of concept explanation with exhaustive programs solved examples and illustrations this test takes the journey of understanding java to slightly higher level

programming java primer e balagurusamy ebook b014daljxo - Nov 11 2022

web view details request a review learn more

e balagurusamy wikipedia - Mar 03 2022

web karur tamil nadu india nationality indian alma mater iit roorkee known for programming in ansi c object oriented programming in c e balagurusamy is an indian educator engineer he is the chairman of ebg foundation in coimbatore and the president of the coimbatore academy of sciences

javaguru a professional programming school javaguru lv - Feb 02 2022

web is a professional programming school for reaching new career heights the experience and knowledge of our trainers will help you become a valued highly paid and in demand it professional javaguru it courses are specifically designed for those who want to start a career in information technology or upgrade their qualifications to the next level

programming in java 5e buy programming in java 5e by flipkart - Dec 12 2022

web description programming with java 5th edition authored by e balagurusamy is a text that explains the fundamentals to core concepts of java it is essential for those pursuing the first level programming course in java

[e balagurusamy books buy e balagurusamy books online at](#) - Jul 07 2022

web showing 1 21 products of 21 products sort by popularity price low to high price high to low newest first object oriented programming with c english paperback e balagurusamy

finanzanalyse und finanzplanung studien und ubung - May 11 2023

web finanzanalyse und finanzplanung studien und ubung studienbericht sep 27 2022 catalogue of central wesleyan college warrenton mo feb 06 2021 jahres bericht

finanzanalyse und finanzplanung studien und ubung - Jul 01 2022

web mar 10 2023 right here we have countless ebook finanzanalyse und finanzplanung studien und ubung and collections to check out we additionally give variant types and

finanzanalyse und finanzplanung studien und ubung pdf 2023 - Jan 07 2023

web jul 5 2023 finanzanalyse und finanzplanung studien und ubung pdf this is likewise one of the factors by obtaining the soft documents of this finanzanalyse und

[finanzanalyse und finanzplanung studien und ubung copy](#) - Oct 04 2022

web jul 28 2023 finanzplanung studien und ubung what you taking into consideration to read management methods and tools michael grabinski 2007 11 03 das buch fasst in

financial planning analysis fees admission 2023 subjects - Apr 29 2022

web aug 9 2023 basic concepts of financial planning analysis the basic concepts which are taught across all fp a courses are given as below forecasting forecasting is the

top onlinekurse zu finanzanalyse im september 2023 - May 31 2022

web lerne von top bewerteten finanzdozenten alles über finanzanalyse egal ob du mehr über finanzmodellierung und

investitionen erfahren willst oder ob du dich auf eine karriere

read free finanzanalyse und finanzplanung studien und ubung - Nov 05 2022

web regeln des umgangs mit kapitalgebern ein eine fülle von anwendungsbeispielen und fallstudien konkretisiert die wesentlichen ergebnisse und empfehlungen

finanzanalyse und finanzplanung studien und ubung - Jan 27 2022

web jun 26 2023 computer finanzanalyse und finanzplanung studien und ubung is simple in our digital library an online access to it is set as public fittingly you can download it

planung und analyse finanzwirtschaftlicher vorgänge - Jul 13 2023

web der wesentliche unterschied zwischen der finanzplanung und finanzanalyse besteht in der zeitlichen ausrichtung der betrachtung während die finanzanalyse

finanzanalyse und finanzplanung studien und ubung - Feb 25 2022

web aug 10 2023 und finanzplanung studien und ubung that you are looking for it will entirely squander the time however below similar to you visit this web page it will be for

finanzanalyse und finanzplanung studien und übungsbücher - Oct 24 2021

web finanzanalyse und finanzplanung studien und übungsbücher november 17th 2019 finanzanalyse und finanzplanung studien und übungsbücher der wirtschafts und

finanzanalyse und finanzplanung studien und Übungsbücher - Aug 14 2023

web finanzanalyse und finanzplanung studien und Übungsbücher der wirtschafts und sozialwissenschaften matschke jürgen hering thomas klingelhöfer heinz eckart

finanzanalyse und finanzplanung studien und ubung giep - Apr 10 2023

web recognizing the pretension ways to acquire this ebook finanzanalyse und finanzplanung studien und ubung is additionally useful you have remained in right site to begin

finanzanalyse und finanzplanung studien und ubung 2022 - Aug 02 2022

web finanzanalyse und finanzplanung studien und ubung 5 5 mit lösungen oder fallstudien finden die herausgeber des fallstudiensammelban des

financial analysis to support and influence - Sep 03 2022

web financial analysis objectives participants attending of financial analysis programme will understand the new trends in accounting and financial statements analysis financial

finanzanalyse und finanzplanung studien und übungsbücher - Nov 24 2021

web finanzanalyse und finanzplanung studien ab 4 20 june 5th 2020 vergleichen finanzanalyse und finanzplanung studien

und ubungsbucher der wirtschafts und

finanzanalyse und finanzplanung studien und ubung pdf - Feb 08 2023

web finanzanalyse und finanzplanung studien und ubung pdf is available in our digital library an online access to it is set as public so you can download it instantly our books

finanzanalyse und finanzplanung studien und ubung - Dec 06 2022

web finanzanalyse und finanzplanung studien und ubung studien und stundenplan für die hauptvorlesungen und Übungen an der medizinischen fakultät breslau jul 04

finanzanalyse und finanzplanung studien und übungsbücher - Mar 09 2023

web finanzanalyse und finanzplanung studien und übungsbücher der wirtschafts und sozialwissenschaften by thomas hering orientation sutd edu sg author christoph

finanzanalyse und finanzplanung studien und ubung - Dec 26 2021

web jul 29 2023 purpose to download and install the finanzanalyse und finanzplanung studien und ubung it is completely easy then before currently we extend the connect

finanzanalyse und finanzplanung studien und ubung pdf - Jun 12 2023

web aug 5 2023 finanzanalyse und finanzplanung studien und ubung 1 11 downloaded from uniport edu ng on august 5 2023 by guest finanzanalyse und finanzplanung

en İyi online finansal analiz kursları güncellendi eylül 2023 - Mar 29 2022

web the complete financial analyst course 2023excel accounting financial statement analysis business analysis financial math powerpoint everything is included puan