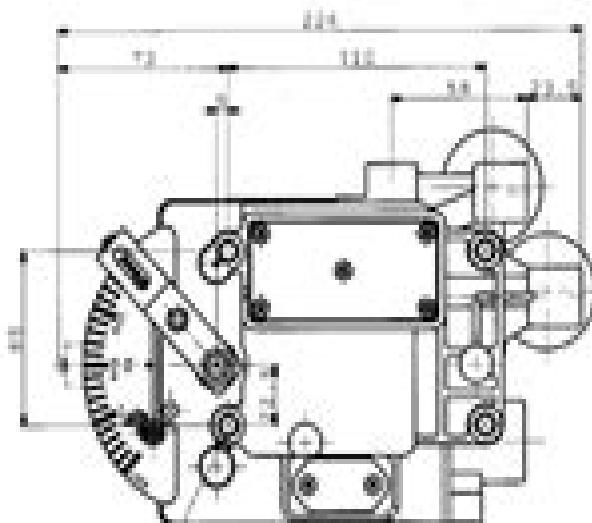
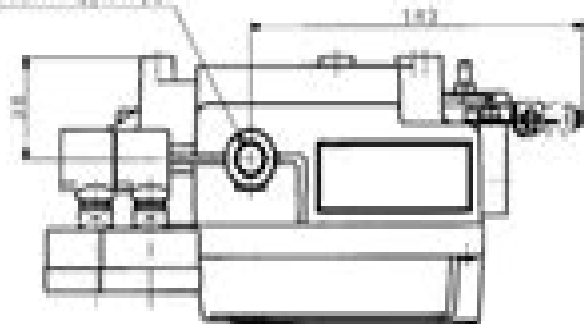
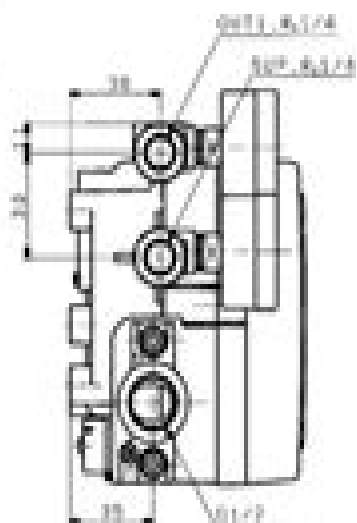


Ø17.1/Ø19, NPT, Ø1

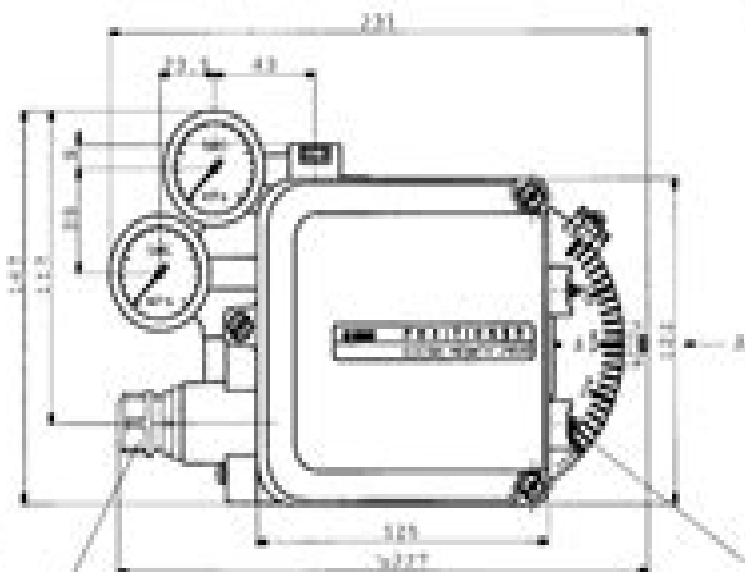


VIEW A

4XØK1.25 DEPTH12
FEMALE THREAD FOR MOUNTING,
BACKSIDE



Ø1.9
PORTING FOR EXTERNAL
CONNECTIONS

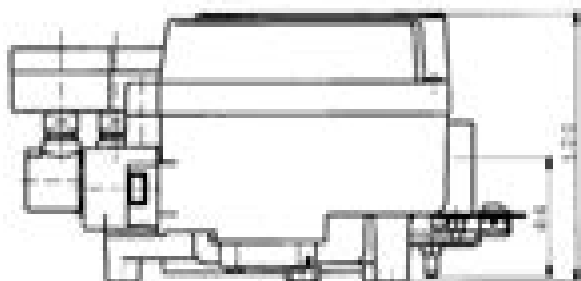


2XØK1.25 DEPTH12
FEMALE THREAD FOR MOUNTING,
SIDE POSITION

IN CASE OF OPTIONAL '9551N CABLE CLAMP'

AVAILABLE CABLE Ø1A #7 - 9:P300010-26

AVAILABLE CABLE Ø1A #9 - 11:P300010-27



SHOW THE INSTRUMENT SCALE PLATE WITH
WITHOUT TERMINAL BOX

IP8100-3+D-H

Instruction Manual Positioner

Didier Musso



Instruction Manual Positioner:

Instruction Manual Positioner Book Review: Unveiling the Power of Words

In a global driven by information and connectivity, the ability of words has become more evident than ever. They have the ability to inspire, provoke, and ignite change. Such could be the essence of the book **Instruction Manual Positioner**, a literary masterpiece that delves deep in to the significance of words and their effect on our lives. Written by a renowned author, this captivating work takes readers on a transformative journey, unraveling the secrets and potential behind every word. In this review, we shall explore the book is key themes, examine its writing style, and analyze its overall affect readers.

https://staging.conocer.cide.edu/book/virtual-library/index.jsp/legendary_australians.pdf

Table of Contents Instruction Manual Positioner

1. Understanding the eBook Instruction Manual Positioner
 - The Rise of Digital Reading Instruction Manual Positioner
 - Advantages of eBooks Over Traditional Books
2. Identifying Instruction Manual Positioner
 - Exploring Different Genres
 - Considering Fiction vs. Non-Fiction
 - Determining Your Reading Goals
3. Choosing the Right eBook Platform
 - Popular eBook Platforms
 - Features to Look for in an Instruction Manual Positioner
 - User-Friendly Interface
4. Exploring eBook Recommendations from Instruction Manual Positioner
 - Personalized Recommendations
 - Instruction Manual Positioner User Reviews and Ratings
 - Instruction Manual Positioner and Bestseller Lists
5. Accessing Instruction Manual Positioner Free and Paid eBooks

- Instruction Manual Positioner Public Domain eBooks
 - Instruction Manual Positioner eBook Subscription Services
 - Instruction Manual Positioner Budget-Friendly Options
6. Navigating Instruction Manual Positioner eBook Formats
 - ePub, PDF, MOBI, and More
 - Instruction Manual Positioner Compatibility with Devices
 - Instruction Manual Positioner Enhanced eBook Features
 7. Enhancing Your Reading Experience
 - Adjustable Fonts and Text Sizes of Instruction Manual Positioner
 - Highlighting and Note-Taking Instruction Manual Positioner
 - Interactive Elements Instruction Manual Positioner
 8. Staying Engaged with Instruction Manual Positioner
 - Joining Online Reading Communities
 - Participating in Virtual Book Clubs
 - Following Authors and Publishers Instruction Manual Positioner
 9. Balancing eBooks and Physical Books Instruction Manual Positioner
 - Benefits of a Digital Library
 - Creating a Diverse Reading Collection Instruction Manual Positioner
 10. Overcoming Reading Challenges
 - Dealing with Digital Eye Strain
 - Minimizing Distractions
 - Managing Screen Time
 11. Cultivating a Reading Routine Instruction Manual Positioner
 - Setting Reading Goals Instruction Manual Positioner
 - Carving Out Dedicated Reading Time
 12. Sourcing Reliable Information of Instruction Manual Positioner
 - Fact-Checking eBook Content of Instruction Manual Positioner
 - Distinguishing Credible Sources
 13. Promoting Lifelong Learning
 - Utilizing eBooks for Skill Development

- Exploring Educational eBooks
- 14. Embracing eBook Trends
 - Integration of Multimedia Elements
 - Interactive and Gamified eBooks

Instruction Manual Positioner Introduction

In the digital age, access to information has become easier than ever before. The ability to download Instruction Manual Positioner has revolutionized the way we consume written content. Whether you are a student looking for course material, an avid reader searching for your next favorite book, or a professional seeking research papers, the option to download Instruction Manual Positioner has opened up a world of possibilities. Downloading Instruction Manual Positioner provides numerous advantages over physical copies of books and documents. Firstly, it is incredibly convenient. Gone are the days of carrying around heavy textbooks or bulky folders filled with papers. With the click of a button, you can gain immediate access to valuable resources on any device. This convenience allows for efficient studying, researching, and reading on the go. Moreover, the cost-effective nature of downloading Instruction Manual Positioner has democratized knowledge. Traditional books and academic journals can be expensive, making it difficult for individuals with limited financial resources to access information. By offering free PDF downloads, publishers and authors are enabling a wider audience to benefit from their work. This inclusivity promotes equal opportunities for learning and personal growth. There are numerous websites and platforms where individuals can download Instruction Manual Positioner. These websites range from academic databases offering research papers and journals to online libraries with an expansive collection of books from various genres. Many authors and publishers also upload their work to specific websites, granting readers access to their content without any charge. These platforms not only provide access to existing literature but also serve as an excellent platform for undiscovered authors to share their work with the world. However, it is essential to be cautious while downloading Instruction Manual Positioner. Some websites may offer pirated or illegally obtained copies of copyrighted material. Engaging in such activities not only violates copyright laws but also undermines the efforts of authors, publishers, and researchers. To ensure ethical downloading, it is advisable to utilize reputable websites that prioritize the legal distribution of content. When downloading Instruction Manual Positioner, users should also consider the potential security risks associated with online platforms. Malicious actors may exploit vulnerabilities in unprotected websites to distribute malware or steal personal information. To protect themselves, individuals should ensure their devices have reliable antivirus software installed and validate the legitimacy of the websites they are downloading from. In conclusion, the ability to download Instruction Manual Positioner has transformed the way we access information. With the convenience, cost-effectiveness, and

accessibility it offers, free PDF downloads have become a popular choice for students, researchers, and book lovers worldwide. However, it is crucial to engage in ethical downloading practices and prioritize personal security when utilizing online platforms. By doing so, individuals can make the most of the vast array of free PDF resources available and embark on a journey of continuous learning and intellectual growth.

FAQs About Instruction Manual Positioner Books

What is a Instruction Manual Positioner PDF? A PDF (Portable Document Format) is a file format developed by Adobe that preserves the layout and formatting of a document, regardless of the software, hardware, or operating system used to view or print it. **How do I create a Instruction Manual Positioner PDF?** There are several ways to create a PDF: Use software like Adobe Acrobat, Microsoft Word, or Google Docs, which often have built-in PDF creation tools. Print to PDF: Many applications and operating systems have a "Print to PDF" option that allows you to save a document as a PDF file instead of printing it on paper. Online converters: There are various online tools that can convert different file types to PDF. **How do I edit a Instruction Manual Positioner PDF?** Editing a PDF can be done with software like Adobe Acrobat, which allows direct editing of text, images, and other elements within the PDF. Some free tools, like PDFescape or Smallpdf, also offer basic editing capabilities. **How do I convert a Instruction Manual Positioner PDF to another file format?** There are multiple ways to convert a PDF to another format: Use online converters like Smallpdf, Zamzar, or Adobe Acrobats export feature to convert PDFs to formats like Word, Excel, JPEG, etc. Software like Adobe Acrobat, Microsoft Word, or other PDF editors may have options to export or save PDFs in different formats. **How do I password-protect a Instruction Manual Positioner PDF?** Most PDF editing software allows you to add password protection. In Adobe Acrobat, for instance, you can go to "File" -> "Properties" -> "Security" to set a password to restrict access or editing capabilities. Are there any free alternatives to Adobe Acrobat for working with PDFs? Yes, there are many free alternatives for working with PDFs, such as: LibreOffice: Offers PDF editing features. PDFsam: Allows splitting, merging, and editing PDFs. Foxit Reader: Provides basic PDF viewing and editing capabilities. How do I compress a PDF file? You can use online tools like Smallpdf, ILovePDF, or desktop software like Adobe Acrobat to compress PDF files without significant quality loss. Compression reduces the file size, making it easier to share and download. Can I fill out forms in a PDF file? Yes, most PDF viewers/editors like Adobe Acrobat, Preview (on Mac), or various online tools allow you to fill out forms in PDF files by selecting text fields and entering information. Are there any restrictions when working with PDFs? Some PDFs might have restrictions set by their creator, such as password protection, editing restrictions, or print restrictions. Breaking these restrictions might require specific software or tools, which may or may not be legal depending on the circumstances and local laws.

Find Instruction Manual Positioner :

legendary australians

leningrad system a complete weapon against 1 d4 black repertoire for tournament players

legion of noble christians or the sweeny

legend of the phoenix a visit home legend of the phoenix

legend of ben tree

leisure and recreation for advanced gnvq

legal research and citation legal citation exercises

lees ferry desert river crossing

legal simulation for word processing

legal knowledge and analogy fragments of legal epistemology hermeneutics and linguistics

legend of the emerald rose

leiths complete chistmas

legends and myths of north carolinas roanokechowan area

lehrbuch der molekularen zellbiologie

left in transformation uruguayan exiles and the latin american human rights networks 1967-1984

Instruction Manual Positioner :

Holdings: Le parole straniere sostituite dall'Accademia d'Italia, 1941 ... Le parole straniere sostituite dall'Accademia d'Italia, 1941-43 / ; Imprint: Roma : Aracne, 2010. ; Description: 242 p. ; 25 cm. ; Language: Italian ; Series: ... Le parole straniere sostituite dall'Accademia d'Italia (1941- ... Le parole straniere sostituite dall'Accademia d'Italia (1941-43) - Softcover ; Publication date2010 ; ISBN 10 8854834122 ; ISBN 13 9788854834125 ; BindingPaperback ... Le parole straniere sostituite dall'Accademia d'Italia (1941-43) ... Amazon.com: Le parole straniere sostituite dall'Accademia d'Italia (1941-43): 9788854834125: Alberto Raffaelli: □□□□. RAFFAELLI ALBERTO, "Le parole straniere sostituite dall' ... RAFFAELLI ALBERTO, "Le parole straniere sostituite dall'Accademia d'Italia (1941-43)", presentazione di Paolo D'Achille, Roma, Aracne, 2010, pp. 208. Le parole straniere sostituite dall'Accademia d'Italia, 1941-43 Le parole straniere sostituite dall'Accademia d'Italia, 1941-43. Front Cover. Alberto Raffaelli. Aracne, 2010 - Language Arts & Disciplines - 242 pages. Il ... A. Raffaelli, Le parole straniere sostituite dall'Accademia d' ... Mar 29, 2011 — Raffaelli, Le parole straniere sostituite dall'Accademia d'Italia (1941-43). Aracne, coll. "Dulces Musae"; EAN : 9788854834125. Publié le 29 ... Le parole straniere sostituite dall'Accademia

d'Italia (1941- ... Acquista Le parole straniere sostituite dall'Accademia d'Italia (1941-43) (9788854834125) su Libreria Universitaria. Un libro di Linguistica comparata e ... Le parole straniere sostituite dall'Accademia d'Italia (1941 ... Le parole straniere sostituite dall'Accademia d'Italia (1941-43) è un libro di Alberto Raffaelli pubblicato da Aracne nella collana Dulces musae: acquista ... History of the Italian Lexicon Aug 23, 2023 — Le parole straniere sostituite dall'Accademia d'Italia (1941-43). Roma, Italy: Aracne. Riga, A. (2022). Leessico antico e Nuovo vocabolario ... IKCO SAMAND SERVICE MANUAL Pdf Download View and Download Ikco SAMAND service manual online. SAMAND automobile pdf manual download. Also for: Xu7jpl3. IKCO SAMAND OWNER'S MANUAL Pdf Download Automobile Ikco SAMAND Service Manual. (216 pages). Samand Ef7 Electrical Manual | PDF | Switch | Relay Samand Ef7 Electrical Manual - Free download as PDF File (.pdf), Text File (.txt) or read online for free. SAMAND MANUAL ELECTRICAL. Ikco Samand Repair & Service Manuals (4 PDF's Ikco Samand service PDF's covering routine maintenance and servicing; Detailed Ikco Samand Engine and Associated Service Systems (for Repairs and Overhaul) (PDF) ... Iran Khodro Samand LX/EL/TU (2004-present) service ... Iran Khodro Samand LX/EL/TU (2004)-guide the repair, maintenance and operation of the vehicle. Samand LX/EL/TU with-2004 repair manual, ... Iran Khodro Samand LX Owner Manual - manualzz.com SAMAND SAMAND SAMAND LX SAMAND EL Owner's Manual This manual has been prepared to inform you of how to optimize the use of the vehicle and contains ... IKCO Iran Khodro Samand Manuals PDF - Free Car Owner's & Service Repair Manuals PDF; . - Cars Electric Wiring Diagrams, Schematics;. - Vehicle Fault Codes DTC (Diagnostic Trouble Code) list. Iran Khodro Samand LX. Service Manual - part 2 Iran Khodro Samand LX. Service Manual - part 2 · 1- Pull up the lever · 2- Slide the seat to the favored position. (by pressing your weight) · 3- Release the ... Книга: Iran Khodro Samand модели с 2000 года выпуска, ... Book: Iran Khodro Samand (Iran hodro Samand). Repair Manual, instruction manual, parts catalog. Models since 2000 of production equipped with gasoline engines. TOYOTA Avensis I Saloon (T22) parts catalogue Auto parts catalogue for TOYOTA Avensis I Saloon (T22) | Buy car parts for TOYOTA AVENSIS (T22) from the EU-SPARES online shop | »GO TO SHOP« TOYOTA Avensis I Estate (T22) parts catalogue Auto parts catalogue for TOYOTA Avensis I Estate (T22) | Buy car parts for TOYOTA Avensis Estate (T22) from the EU-SPARES online shop | »GO TO SHOP« Parts catalog for Toyota Avensis Electronic spare parts online catalog for Toyota Avensis. Toyota Avensis engine, chassis, body and electric parts. Toyota Avensis I T21 / T22, generation #1 5-speed Manual transmission. Engine 1 995 ccm (122 cui), 4-cylinder, In-Line, 1CD-FTV. Avensis kombi 2.0 D4D, T22, tmavě ... Toyota Genuine Audio Avensis (T22). TOYOTA GENUINE AUDIO. Avensis (RHD) - 10. 10-00. 4. Mount the brackets onto the audio assembly and combo . : Screw (4x). 102. 13. 14. 12. Fig. 4. Spare parts for Toyota AVENSIS (T22) 09.1997 Buy car parts for Toyota AVENSIS (T22) 09.1997-12.1999 in a user-friendly catalog on ALVADI.EE. We will ship over 100000 car parts from our warehouse today. Parts for Toyota Avensis T22 Saloon 24/7 ☐ online ☐ ☐ Car parts and car accessories suitable for your Toyota Avensis T22 Saloon (1997-2003) ↑ high quality at attractive prices. TOYOTA AVENSIS (T22) car parts online

catalogue We offer TOYOTA AVENSIS (_T22_) spare parts for all models cheap online. Visit 123spareparts.co.uk and find suitable parts for your TOYOTA AVENSIS (_T22_) ... Spare parts catalogue for TOYOTA AVENSIS (_T22_) online Order spare parts for your TOYOTA AVENSIS (_T22_) cheap online. Find spare parts for any TOYOTA AVENSIS (_T22_) model on Car-parts.ie.