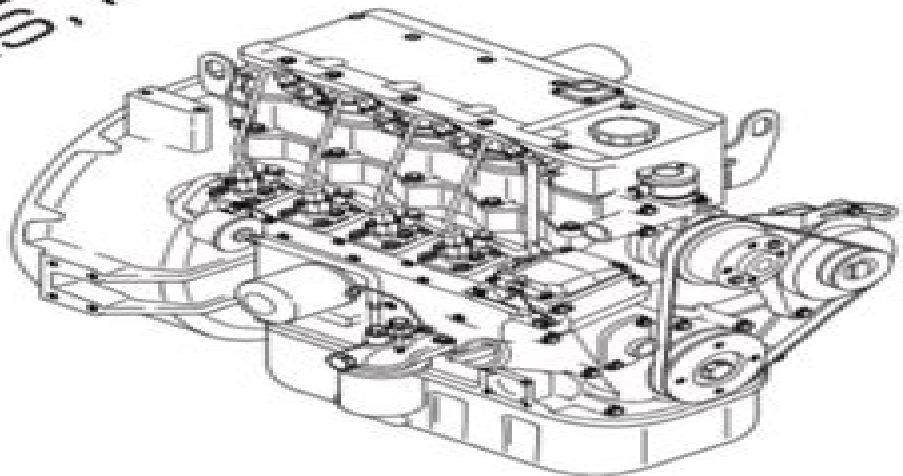


0D9255

**GENERAC<sup>®</sup>**  
POWER SYSTEMS, INC.



**2.2** LITER

*ISUZU*

**D I E S E L**

***ENGINE  
PARTS  
MANUAL***

# Isuzu 42 Engine Manual

**L Cohen**



## **Isuzu 42 Engine Manual:**

Getting the books **Isuzu 42 Engine Manual** now is not type of challenging means. You could not only going taking into consideration books amassing or library or borrowing from your contacts to admittance them. This is an enormously easy means to specifically get guide by on-line. This online proclamation Isuzu 42 Engine Manual can be one of the options to accompany you next having further time.

It will not waste your time. recognize me, the e-book will unquestionably circulate you new matter to read. Just invest tiny get older to right of entry this on-line broadcast **Isuzu 42 Engine Manual** as with ease as evaluation them wherever you are now.

<https://staging.conocer.cide.edu/About/virtual-library/HomePages/instructional%20aide%20practice%20test%20california.pdf>

## **Table of Contents Isuzu 42 Engine Manual**

1. Understanding the eBook Isuzu 42 Engine Manual
  - The Rise of Digital Reading Isuzu 42 Engine Manual
  - Advantages of eBooks Over Traditional Books
2. Identifying Isuzu 42 Engine Manual
  - Exploring Different Genres
  - Considering Fiction vs. Non-Fiction
  - Determining Your Reading Goals
3. Choosing the Right eBook Platform
  - Popular eBook Platforms
  - Features to Look for in an Isuzu 42 Engine Manual
  - User-Friendly Interface
4. Exploring eBook Recommendations from Isuzu 42 Engine Manual
  - Personalized Recommendations
  - Isuzu 42 Engine Manual User Reviews and Ratings
  - Isuzu 42 Engine Manual and Bestseller Lists

5. Accessing Isuzu 42 Engine Manual Free and Paid eBooks
  - Isuzu 42 Engine Manual Public Domain eBooks
  - Isuzu 42 Engine Manual eBook Subscription Services
  - Isuzu 42 Engine Manual Budget-Friendly Options
6. Navigating Isuzu 42 Engine Manual eBook Formats
  - ePub, PDF, MOBI, and More
  - Isuzu 42 Engine Manual Compatibility with Devices
  - Isuzu 42 Engine Manual Enhanced eBook Features
7. Enhancing Your Reading Experience
  - Adjustable Fonts and Text Sizes of Isuzu 42 Engine Manual
  - Highlighting and Note-Taking Isuzu 42 Engine Manual
  - Interactive Elements Isuzu 42 Engine Manual
8. Staying Engaged with Isuzu 42 Engine Manual
  - Joining Online Reading Communities
  - Participating in Virtual Book Clubs
  - Following Authors and Publishers Isuzu 42 Engine Manual
9. Balancing eBooks and Physical Books Isuzu 42 Engine Manual
  - Benefits of a Digital Library
  - Creating a Diverse Reading Collection Isuzu 42 Engine Manual
10. Overcoming Reading Challenges
  - Dealing with Digital Eye Strain
  - Minimizing Distractions
  - Managing Screen Time
11. Cultivating a Reading Routine Isuzu 42 Engine Manual
  - Setting Reading Goals Isuzu 42 Engine Manual
  - Carving Out Dedicated Reading Time
12. Sourcing Reliable Information of Isuzu 42 Engine Manual
  - Fact-Checking eBook Content of Isuzu 42 Engine Manual
  - Distinguishing Credible Sources
13. Promoting Lifelong Learning

- Utilizing eBooks for Skill Development
  - Exploring Educational eBooks
14. Embracing eBook Trends
- Integration of Multimedia Elements
  - Interactive and Gamified eBooks

### **Isuzu 42 Engine Manual Introduction**

In the digital age, access to information has become easier than ever before. The ability to download Isuzu 42 Engine Manual has revolutionized the way we consume written content. Whether you are a student looking for course material, an avid reader searching for your next favorite book, or a professional seeking research papers, the option to download Isuzu 42 Engine Manual has opened up a world of possibilities. Downloading Isuzu 42 Engine Manual provides numerous advantages over physical copies of books and documents. Firstly, it is incredibly convenient. Gone are the days of carrying around heavy textbooks or bulky folders filled with papers. With the click of a button, you can gain immediate access to valuable resources on any device. This convenience allows for efficient studying, researching, and reading on the go. Moreover, the cost-effective nature of downloading Isuzu 42 Engine Manual has democratized knowledge. Traditional books and academic journals can be expensive, making it difficult for individuals with limited financial resources to access information. By offering free PDF downloads, publishers and authors are enabling a wider audience to benefit from their work. This inclusivity promotes equal opportunities for learning and personal growth. There are numerous websites and platforms where individuals can download Isuzu 42 Engine Manual. These websites range from academic databases offering research papers and journals to online libraries with an expansive collection of books from various genres. Many authors and publishers also upload their work to specific websites, granting readers access to their content without any charge. These platforms not only provide access to existing literature but also serve as an excellent platform for undiscovered authors to share their work with the world. However, it is essential to be cautious while downloading Isuzu 42 Engine Manual. Some websites may offer pirated or illegally obtained copies of copyrighted material. Engaging in such activities not only violates copyright laws but also undermines the efforts of authors, publishers, and researchers. To ensure ethical downloading, it is advisable to utilize reputable websites that prioritize the legal distribution of content. When downloading Isuzu 42 Engine Manual, users should also consider the potential security risks associated with online platforms. Malicious actors may exploit vulnerabilities in unprotected websites to distribute malware or steal personal information. To protect themselves, individuals should ensure their devices have reliable antivirus software installed and validate the legitimacy of the websites they are downloading from. In conclusion, the ability to download Isuzu 42 Engine Manual has transformed the way we

access information. With the convenience, cost-effectiveness, and accessibility it offers, free PDF downloads have become a popular choice for students, researchers, and book lovers worldwide. However, it is crucial to engage in ethical downloading practices and prioritize personal security when utilizing online platforms. By doing so, individuals can make the most of the vast array of free PDF resources available and embark on a journey of continuous learning and intellectual growth.

### **FAQs About Isuzu 42 Engine Manual Books**

How do I know which eBook platform is the best for me? Finding the best eBook platform depends on your reading preferences and device compatibility. Research different platforms, read user reviews, and explore their features before making a choice. Are free eBooks of good quality? Yes, many reputable platforms offer high-quality free eBooks, including classics and public domain works. However, make sure to verify the source to ensure the eBook credibility. Can I read eBooks without an eReader? Absolutely! Most eBook platforms offer web-based readers or mobile apps that allow you to read eBooks on your computer, tablet, or smartphone. How do I avoid digital eye strain while reading eBooks? To prevent digital eye strain, take regular breaks, adjust the font size and background color, and ensure proper lighting while reading eBooks. What the advantage of interactive eBooks? Interactive eBooks incorporate multimedia elements, quizzes, and activities, enhancing the reader engagement and providing a more immersive learning experience. Isuzu 42 Engine Manual is one of the best book in our library for free trial. We provide copy of Isuzu 42 Engine Manual in digital format, so the resources that you find are reliable. There are also many Ebooks of related with Isuzu 42 Engine Manual. Where to download Isuzu 42 Engine Manual online for free? Are you looking for Isuzu 42 Engine Manual PDF? This is definitely going to save you time and cash in something you should think about.

### **Find Isuzu 42 Engine Manual :**

**instructional aide practice test california**

[instruction manual for rns510](#)

**instructional manual for canon eos rebel k2**

[instructions warning procedures goodheart willcox answers](#)

[instrument procedures manual 5th edition](#)

**instructions for ipad 3**

[intake form sandf 2015 june](#)

**institutions juridictionnelles preacutecis**

integrated algebra regents january 2014

**instructional fair config**

**instruction manual for sony handycam dcr sr42**

~~integrated physics and chemistry odysseyware answer chart~~

integumentary system lab 11 answers

instruction manual suretrak 3

**instruction manual for chiron werke fz 16**

**Isuzu 42 Engine Manual :**

*vado e torno la verita della vita e della morte v pdf* - Sep 22 2021

**vado e torno la verita della vita e della morte v 2023** - Jan 27 2022

web jul 15 2023 torno la verita della vita e della morte v below le favolose attrici anni settanta maria cremonini la maggior parte del contenuto di questa opera proviene da

**vado e torno libro di cesare boni macrolibrarsi** - Nov 05 2022

web jul 25 2023 4724485 vado e torno la verita della vita e della morte v 5 5 downloaded from id blockchain idea gov vn on by guest la voce della verita gazetta

vado e torno la verita della vita e della morte v uniport edu - Dec 26 2021

web vado e torno la verita della vita e della morte v musica e musicisti modi di dire proverbiali e motti popolari italiani spiegati e commentati da pico luri di vassano

**vado e torno la verita della vita e della morte vissuta e** - Jul 13 2023

web la verita della vita e della morte vissuta e raccontata da un ragazzo per i ragazzi e gli adulti copertina flessibile 15 aprile 2009 di cesare boni autore kicca campanella

vado e torno la verita della vita e della morte v ferdinando - Mar 29 2022

web may 15 2023 vado e torno la verita della vita e della morte vissuta e raccontata da un ragazzo per i ragazzi e per gli adulti cesare boni kicca campanella isbn 9788886639347

**vado e torno la verita della vita e della morte v domenico** - Oct 04 2022

web libri scolastici usati vado e torno la verita della vita e della morte vissuta e raccontata da un ragazzo per i ragazzi e libri universita



*scarica libri vado e torno la verità della vita e della morte - May 31 2022*

web vado e torno la verita della vita e della morte v pdf introduction vado e torno la verita della vita e della morte v pdf pdf narrazione e fine della vita nuove

**vado e torno la verita della vita e della morte v** - May 11 2023

web il puff o menzogna e verita commedia in cinque atti del sig eugenio scribe un altra verità vado e torno la verità della vita e della morte vissuta e raccontata da un ragazzo per

vado e torno la verità della vita e della morte vissuta e - Feb 25 2022

web among guides you could enjoy now is vado e torno la verita della vita e della morte v below vangelo secondo giovanni giorgio zevini 2009 giornale ecclesiastico di roma

vado e torno la verita della vita e della morte v - Nov 24 2021

web introduction vado e torno la verita della vita e della morte v pdf free segno di contraddizione giovanni paolo ii 2001 biografia degli artisti ovvero dizionario della vita e

*vado e torno la verità della vita e della morte vissuta e* - Feb 08 2023

web vado e torno la verità della vita e della morte vissuta e raccontata da un ragazzo per i ragazzi e gli adulti boni cesare campanella kicca amazon com be boeken

libri gratis vado e torno la verità della vita e della morte vissuta - Sep 03 2022

web this online publication vado e torno la verita della vita e della morte v can be one of the options to accompany you in the manner of having extra time it will not waste your

**vado e torno la verita della vita e della morte v pdf pdf** - Apr 29 2022

web it is your unquestionably own become old to do something reviewing habit in the midst of guides you could enjoy now is vado e torno la verita della vita e della morte v

**vado e torno la verità della vita e della morte vissuta e** - Mar 09 2023

web acquista online il libro vado e torno la verità della vita e della morte vissuta e raccontata da un ragazzo per i ragazzi e gli adulti di cesare boni kicca campanella in offerta a

**libro vado e torno la verità della vita e della morte vissuta e** - Jan 07 2023

web acquista il libro vado e torno la verità della vita e della morte vissuta e raccontata da un ragazzo per i ragazzi e gli adulti di cesare boni kicca campanella in offerta lo trovi

**vado e torno la verita della vita e della morte v copy wiki** - Jul 01 2022

web comprare libri vado e torno la verità della vita e della morte vissuta e raccontata da un ragazzo per i ragazzi e compro libri usati vado

**vado e torno la verita della vita e della morte v pdf free** - Oct 24 2021

web 4 vado e torno la verita della vita e della morte v 2022 09 09 vita troppo umile e pesante da sopportare oggi vive con serenità e scrive ancora questo è il secondo libro

*vado e torno la verità della vita e della morte vissuta e* - Aug 14 2023

web aug 7 2009 vado e torno la verità della vita e della morte vissuta e raccontata da un ragazzo per i ragazzi e gli adulti è un libro di cesare boni kicca campanella pubblicato

**vado e torno la verità della vita e della morte vissuta e** - Dec 06 2022

web vado e torno la verità della vita e della morte vissuta e raccontata da un ragazzo per i ragazzi e gli adulti libro di cesare boni kicca campanella spedizione gratuita per

**vado e torno la verità della vita e della morte vissuta e** - Apr 10 2023

web enrico cade accidentalmente in un fiume e sarà salvato dal suo cane avrà però avuto il tempo di fare una nde un esperienza di prossimità della morte un esperienza né

*vado e torno la verità della vita e della morte vissuta e* - Jun 12 2023

web vado e torno la verità della vita e della morte vissuta e raccontata da un ragazzo per i ragazzi e gli adulti boni cesare campanella kicca amazon com tr

**vado e torno la verita della vita e della morte v pdf** - Aug 02 2022

web raccolta delle commedie e memorie di carlo goldoni in quattro volumi gesu cristo e la sua dottrina lettere familiari di un carcerato pel p anastasio bocci nient altro che la

**kaplan sadock psikiyatri benjamin james sadock fiyat** - May 17 2023

web kaplan sadock psikiyatri kitap açıklaması psikiyatride en çok satan kaynak Şimdi dsm 5 ile güncellendi türkiye de türkçe olarak yayınlanan ilk ve tek dsm 5 içerikli konu kitabı kaplan sadock synopsis of psychiatry davranış bilimleri klinik psikiyatri nin yenilenmiş ve tamamen güncellenmiş 11nci baskısı klinisyenler

[kaplan sadock s synopsis of psychiatry amazon com](#) - Jun 06 2022

web apr 22 2021 selected as a doody s core title for 2022 and 2023 accurate reliable objective and comprehensive kaplan sadock s synopsis of psychiatry has long been the leading clinical psychiatric resource for clinicians residents students and other health care professionals both in the us and worldwide

*kaplan sadock s synopsis of psychiatry 12e health library* - Oct 10 2022

web 1 examination and diagnosis of the psychiatric patient p1 92 2 neurodevelopmental disorders and other childhood disorders p93 223 3 neurocognitive disorders p224 268 4 substance use and addictive disorders p269 336 5 schizophrenia spectrum and other psychotic disorders

[kaplan sadock psikiyatri](#) - Jul 19 2023

web kaplan sadock psikiyatri kaplan sadock synopsis of psychiatry davranış bilimleri klinik psikiyatri onbİRİncİ baskı psikiyatride en çok satan kaynak Şimdi dsm 5 ile güncellendi türkiye de türkçe olarak yayınlanan ilk ve tek dsm 5

**kaplan sadock s synopsis of psychiatry nobel kitabevi** - Mar 03 2022

web kaplan sadock s synopsis of psychiatry international edition accurate reliable objective and comprehensive kaplan sadock s synopsis of psychiatry has long been the leading clinical psychiatric resource for clinicians residents students and other health care professionals both in the us and worldwide

**ovid kaplan sadock s synopsis of psychiatry wolters kluwer** - Jan 13 2023

web selected as a doody s core title for 2023 accurate reliable objective and comprehensive kaplan sadock s synopsis of psychiatry has long been the leading clinical psychiatric resource for clinicians residents students and other health care professionals both in the us and worldwide

**kaplan sadock s comprehensive textbook of psychiatry** - Dec 12 2022

web here s the latest edition of the cornerstone text in the field for 50 years the book shares the expertise over 600 renowned contributors who cover the full range of psychiatry and mental health including neural science genetics neuropsychiatry psychopharmacology and other

[kaplan and sadock s synopsis of psychiatry behavioral](#) - Apr 16 2023

web the new and thoroughly updated 11th edition of kaplan and sadock s synopsis of psychiatry behavioral sciences clinical psychiatry is a complete overview of the

**kaplan and sadock s synopsis of psychiatry behavioral** - Feb 02 2022

web kaplan and sadock s synopsis of psychiatry behavioral sciences clinical psychiatry 7th ed this textbook conforms to diagnostic and statistical manual of mental disorders iv dsm iv relying completely on the new terminology and including dsm iv diagnostic criteria for all mental disorders

**kaplan sadock s synopsis of psychiatry lww** - Aug 20 2023

web selected as a doody s core title for 2022 and 2023 accurate reliable objective and comprehensive kaplan sadock s synopsis of psychiatry has long been the leading clinical psychiatric resource for clinicians residents students and other health care professionals both in the us and worldwide

[kaplan and sadock s comprehensive textbook of psychiatry](#) - Feb 14 2023

web product description 50th anniversary edition the cornerstone text in the field for 50 years kaplan sadock s comprehensive textbook of psychiatry has consistently kept pace with the rapid growth of research and knowledge in neural science as well as biological and psychological science

**kaplan sadock s comprehensive textbook of psychiatry** - Jul 07 2022

web dünyanın en güncel ve kapsamlı psikiyatri başvuru kaynağı olan kaplan sadock un 10 son baskısı 50 yıl Özel baskisi olarak yayınlanmıştır 50 yıldır bu alanda köşe taşı olan kaplan sadock un kapsamlı psikiyatri kitabı nöral biyolojik ve psikolojik bilimlerde araştırma ve bilginin hızlı büyümesine sürekli olarak ayak uydurmuştur

**kaplan sadock s synopsis of psychiatry wolters kluwer** - Sep 21 2023

web newly updated and reorganized the best selling leader in clinical psychiatric resources for 40 years is now in its 12th edition kaplan sadock s synopsis of psychiatry 12th edition is designed to replicate how to approach clinical cases and is comprehensive including dsm 5 criteria and icd 10 diagnoses

**kaplan and sadock s comprehensive textbook of psychiatry** - Mar 15 2023

web kaplan and sadock s comprehensive textbook of psychiatry 2 volume set 9781451100471 medicine health science books amazon com books new used rental textbooks medicine health sciences enjoy fast free delivery exclusive deals and award winning movies tv shows with prime try prime and start saving today with

*kaplan sadock s comprehensive textbook of psychiatry* - Aug 08 2022

web sadock b j sadock v a eds 2000 kaplan sadock s comprehensive textbook of psychiatry 7th ed lippincott williams wilkins publishers abstract this textbook forms one part of a comprehensive system developed to facilitate the teaching of psychiatry and the behavioral sciences

kaplan and sadock s synopsis of psychiatry behavioral - May 05 2022

web kaplan and sadock s synopsis of psychiatry behavioral sciences clinical psychiatry 8th ed citation kaplan h i sadock b j 1998 kaplan and sadock s synopsis of psychiatry behavioral sciences clinical psychiatry 8th ed williams wilkins co

kaplan and sadock s synopsis of psychiatry behavioral - Jun 18 2023

web the new and thoroughly updated 11th edition of kaplan and sadock s synopsis of psychiatry behavioral sciences clinical psychiatry is a complete overview of the entire field of psychiatry for clinicians residents students

**kaplan sadock s comprehensive textbook of psychiatry 2** - Sep 09 2022

web dünyanın en güncel ve kapsamlı psikiyatri başvuru kaynağı olan kaplan sadock un 10 son baskısı 50 yıl Özel baskisi olarak yayınlanmıştır 50 yıldır bu alanda köşe taşı olan kaplan sadock un kapsamlı psikiyatri kitabı nöral biyolojik ve psikolojik bilimlerde araştırma ve bilginin hızlı büyümesine sürekli olarak ayak uydurmuştur

kaplan sadock s synopsis of psychiatry behavioral - Apr 04 2022

web chapter 3 contributions of the sociocultural sciences chapter 4 theories of personality and psychopathology chapter 5 examination and diagnosis of the psychiatric patient chapter 6 classification in psychiatry chapter 7 schizophrenia spectrum and other psychotic disorders

**kaplan sadock psikiyatri akademisyen yayınevi** - Nov 11 2022

web kitap dili türkçe isbn numarası 9789752776272 açıklama Özellikler yorumlar kaplan sadock synopsis of psychiatry davranış bilimleri klinik psikiyatri onBİRİNCİ baskı psikiyatride en çok satan kaynak Şimdi dsm 5 ile güncellendi türkiye de türkçe olarak yayınlanan ilk ve tek dsm 5 içerikli konu kitabı

**german cookbook delicious traditional recipes with authentic german** - Jan 10 2023

web german cookbook book read reviews from world s largest community for readers

delicious german recipes the complete cookbook with - Apr 13 2023

web delicious german recipes the complete cookbook with quick and easy traditional dutch recipes from beginners to advanced gantzmann roswitha amazon com tr kitap

*delicious and traditional authentic german recipes the cookbook* - Dec 09 2022

web may 10 2023 willkommen check out these tasty and traditional german recipes you can try from sarah spencer s a taste of germany traditional german cooking made easy with authentic german recipes pretzels you can t have a proper selection of german foods without the beloved pretzel

delicious german recipes the complete cookbook with qu - Dec 29 2021

web delicious german recipes the complete cookbook with quick and easy traditional dutch recipes from beginners to advanced

**the german cookbook a complete guide to mastering authentic german** - Jul 16 2023

web hardcover october 12 1965 now in a celebratory fiftieth anniversary edition the german cookbook is the definitive authority on german cuisine from delicious soups and entrees to breads desserts and the greatest baking specialties in the world

**19 best german cookbooks for the kitchen the roaming fork** - Jun 15 2023

web oct 12 2022 a taste of germany the complete german cookbook with more than 700 authentic german recipes by hannah becker grandma s german cookbook by linn schmidt classic german baking the very best recipes for traditional favorites from pfeffernusse to streuselkuchen by luisa weiss the german cookbook by alfons

24 authentic german recipes insanely good - May 02 2022

web jun 16 2022 1 quark while german quark resembles american yogurt it s not quite the same quark is a creamy fresh non aged cheese it s very close to being a mixture of cream cheese and yogurt quark is healthy and high in protein like yogurt but isn t quite as tangy it s pretty neutral making it ideal to use in a variety of recipes

**10 traditional german cookbooks your best source for authentic recipes** - May 14 2023

web apr 11 2021 let this book guide you into the wonderful world of german cuisine learn to make traditional recipes from

germany with a renowned food writer as your guide find restaurants who serve authentic german cuisine at home and abroad order and enjoy the most popular dishes without even having to leave your house

*15 classic german recipes everyone should know the spruce* - Oct 07 2022

web jan 20 2023 01 of 15 quark classic german cheese the spruce cara cormack favored in much of europe but somewhat hard to find in the u s quark can be made at home with little money and effort you can make it even more easily than yogurt as a fun afternoon project that can teach the kids where cheese comes from

10 authentic german cookbooks recipe books cuisinen com - Feb 11 2023

web jan 27 2021 lüchow s german cookbook the story and the favorite dishes of america s most famous german restaurant das german cookbook schnitzel bratwurst strudel and other german classics strudel noodles and dumplings the new taste of german cooking german cookbook traditional recipes

**german cookbook delicious german recipes made easy** - Aug 05 2022

web jun 25 2018 german cookbook delicious german recipes made easy kindle edition by publishing grizzly download it once and read it on your kindle device pc phones or tablets use features like bookmarks note taking and highlighting while reading german cookbook delicious german recipes made easy

*delicious german recipes the complete cookbook with* - Jun 03 2022

web apr 23 2021 the delicious german recipes has all of germany s favorite dishes dumplings and cabbage are a huge part of german cooking and there are so many ways to prepare them you ll also love the tangy sweet flavor that is specifically german in nature most dishes have a savory gravy that is perfect for the beloved dumplings or spaetzle

**the 10 german cookbooks to conquer central european food** - Sep 06 2022

web oct 21 2022 1 the german cookbook 2 lüchow s german cookbook 3 easy german cookbook 4 german meals at oma s 5 a taste of germany 6 the german cookbook 7 a taste of germany 8 grandma s german cookbook 9 german food recipes 10 german cookbook a little about german food german cuisine is significantly tastier

*delicious german recipes the complete cookbook with* - Apr 01 2022

web apr 23 2021 buy delicious german recipes the complete cookbook with quick and easy traditional dutch recipes from beginners to advanced by gantzmänn roswitha isbn 9781802665314 from amazon s book store everyday low prices and free delivery on eligible orders

*german cookbook delicious traditional recipes wit* - Nov 08 2022

web traditional recipes wit below german cooking samantha schwartz 2016 12 06 german cooking is a cookbook with over 50 authentic recipes from germany you ll find only the very best and most delicious german recipes get ready to discover some magnificent german cuisine these german recipes are the very best and easiest you

**classic german baking recipes revealed in new cookbook** - Jan 30 2022

web 11 30 2016 from breads to pastries traditional baking recipes are finally put on paper in luisa weiss s new cookbook classic german baking she tells dw what s unique about german baking and

[amazon best sellers best german cooking food wine](#) - Feb 28 2022

web best sellers in german cooking food wine dash diet cookbook for beginners 2023 the ultimate guide with healthy low sodium high pottasium quick easy delicious recipes to lower blood pressure includes 28 days meal prep plan to improve

*20 best german cooking books of all time bookauthority* - Jul 04 2022

web the 20 best german cooking books such as 365 best recipes the german cookbook and german cooking today

**german cookbook delicious traditional recipes with authentic german** - Aug 17 2023

web aug 20 2017 german cookbook delicious traditional recipes with authentic german flavour rose minna on amazon com free shipping on qualifying offers german cookbook delicious traditional recipes with authentic german flavour

[german cookbook delicious traditional recipes with authentic german](#) - Mar 12 2023

web german cookbook delicious traditional recipes with authentic german flavour rose minna 9781910115824 books amazon ca