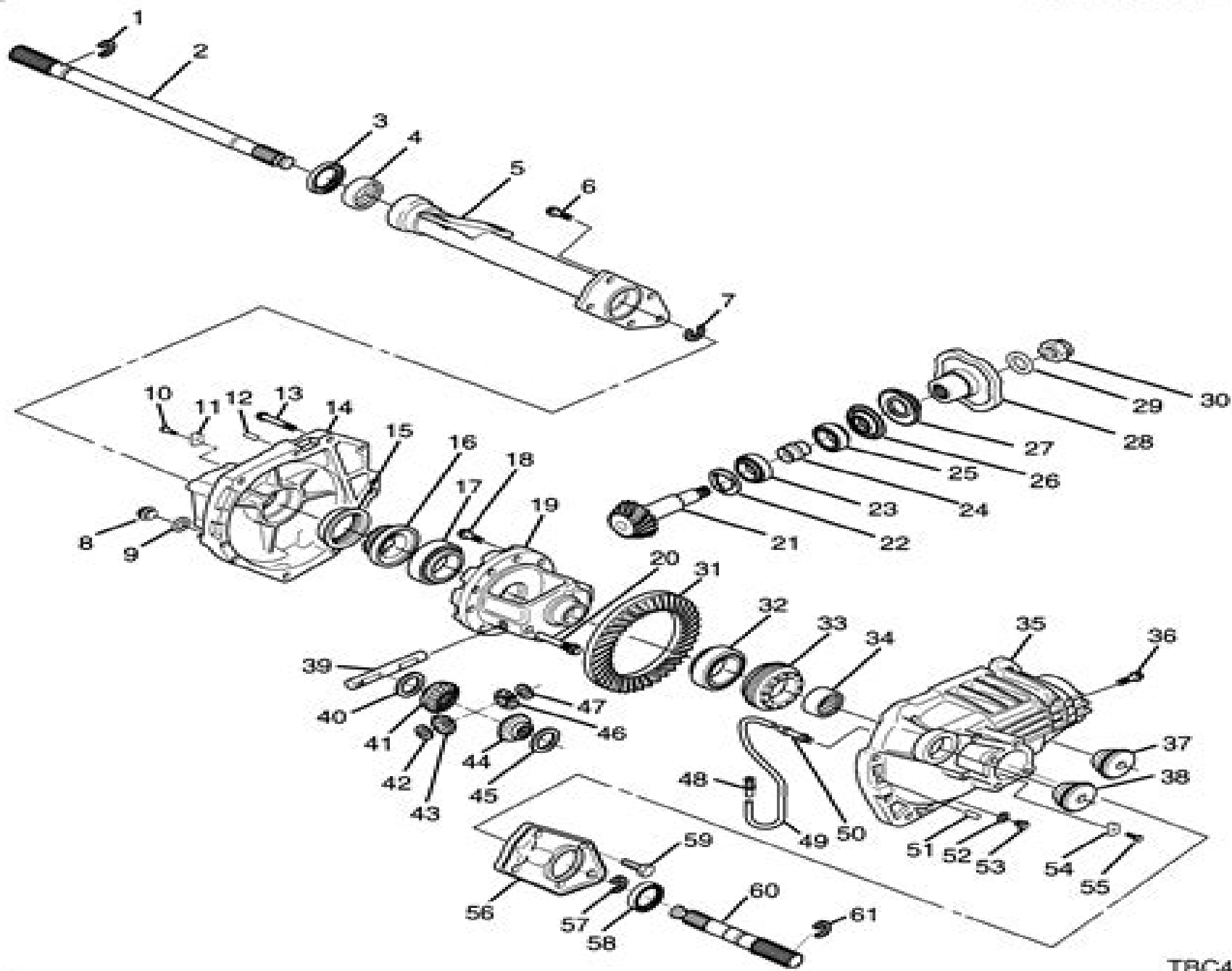


62



Front End Service Manual 94 Astro

RJ Shavelson



Front End Service Manual 94 Astro:

Decoding **Front End Service Manual 94 Astro**: Revealing the Captivating Potential of Verbal Expression

In a period characterized by interconnectedness and an insatiable thirst for knowledge, the captivating potential of verbal expression has emerged as a formidable force. Its power to evoke sentiments, stimulate introspection, and incite profound transformations is genuinely awe-inspiring. Within the pages of "**Front End Service Manual 94 Astro**," a mesmerizing literary creation penned by way of a celebrated wordsmith, readers set about an enlightening odyssey, unraveling the intricate significance of language and its enduring affect our lives. In this appraisal, we shall explore the book is central themes, evaluate its distinctive writing style, and gauge its pervasive influence on the hearts and minds of its readership.

<https://staging.conocer.cide.edu/files/detail/index.jsp/exampler%202013%20november%20maths%20lit%20for%20grade11.pdf>

Table of Contents Front End Service Manual 94 Astro

1. Understanding the eBook Front End Service Manual 94 Astro
 - The Rise of Digital Reading Front End Service Manual 94 Astro
 - Advantages of eBooks Over Traditional Books
2. Identifying Front End Service Manual 94 Astro
 - Exploring Different Genres
 - Considering Fiction vs. Non-Fiction
 - Determining Your Reading Goals
3. Choosing the Right eBook Platform
 - Popular eBook Platforms
 - Features to Look for in an Front End Service Manual 94 Astro
 - User-Friendly Interface
4. Exploring eBook Recommendations from Front End Service Manual 94 Astro
 - Personalized Recommendations
 - Front End Service Manual 94 Astro User Reviews and Ratings

- Front End Service Manual 94 Astro and Bestseller Lists
- 5. Accessing Front End Service Manual 94 Astro Free and Paid eBooks
 - Front End Service Manual 94 Astro Public Domain eBooks
 - Front End Service Manual 94 Astro eBook Subscription Services
 - Front End Service Manual 94 Astro Budget-Friendly Options
- 6. Navigating Front End Service Manual 94 Astro eBook Formats
 - ePub, PDF, MOBI, and More
 - Front End Service Manual 94 Astro Compatibility with Devices
 - Front End Service Manual 94 Astro Enhanced eBook Features
- 7. Enhancing Your Reading Experience
 - Adjustable Fonts and Text Sizes of Front End Service Manual 94 Astro
 - Highlighting and Note-Taking Front End Service Manual 94 Astro
 - Interactive Elements Front End Service Manual 94 Astro
- 8. Staying Engaged with Front End Service Manual 94 Astro
 - Joining Online Reading Communities
 - Participating in Virtual Book Clubs
 - Following Authors and Publishers Front End Service Manual 94 Astro
- 9. Balancing eBooks and Physical Books Front End Service Manual 94 Astro
 - Benefits of a Digital Library
 - Creating a Diverse Reading Collection Front End Service Manual 94 Astro
- 10. Overcoming Reading Challenges
 - Dealing with Digital Eye Strain
 - Minimizing Distractions
 - Managing Screen Time
- 11. Cultivating a Reading Routine Front End Service Manual 94 Astro
 - Setting Reading Goals Front End Service Manual 94 Astro
 - Carving Out Dedicated Reading Time
- 12. Sourcing Reliable Information of Front End Service Manual 94 Astro
 - Fact-Checking eBook Content of Front End Service Manual 94 Astro
 - Distinguishing Credible Sources

13. Promoting Lifelong Learning
 - Utilizing eBooks for Skill Development
 - Exploring Educational eBooks
14. Embracing eBook Trends
 - Integration of Multimedia Elements
 - Interactive and Gamified eBooks

Front End Service Manual 94 Astro Introduction

Front End Service Manual 94 Astro Offers over 60,000 free eBooks, including many classics that are in the public domain. Open Library: Provides access to over 1 million free eBooks, including classic literature and contemporary works. Front End Service Manual 94 Astro Offers a vast collection of books, some of which are available for free as PDF downloads, particularly older books in the public domain. Front End Service Manual 94 Astro : This website hosts a vast collection of scientific articles, books, and textbooks. While it operates in a legal gray area due to copyright issues, its a popular resource for finding various publications. Internet Archive for Front End Service Manual 94 Astro : Has an extensive collection of digital content, including books, articles, videos, and more. It has a massive library of free downloadable books. Free-eBooks Front End Service Manual 94 Astro Offers a diverse range of free eBooks across various genres. Front End Service Manual 94 Astro Focuses mainly on educational books, textbooks, and business books. It offers free PDF downloads for educational purposes. Front End Service Manual 94 Astro Provides a large selection of free eBooks in different genres, which are available for download in various formats, including PDF. Finding specific Front End Service Manual 94 Astro, especially related to Front End Service Manual 94 Astro, might be challenging as they're often artistic creations rather than practical blueprints. However, you can explore the following steps to search for or create your own Online Searches: Look for websites, forums, or blogs dedicated to Front End Service Manual 94 Astro, Sometimes enthusiasts share their designs or concepts in PDF format. Books and Magazines Some Front End Service Manual 94 Astro books or magazines might include. Look for these in online stores or libraries. Remember that while Front End Service Manual 94 Astro, sharing copyrighted material without permission is not legal. Always ensure you're either creating your own or obtaining them from legitimate sources that allow sharing and downloading. Library Check if your local library offers eBook lending services. Many libraries have digital catalogs where you can borrow Front End Service Manual 94 Astro eBooks for free, including popular titles. Online Retailers: Websites like Amazon, Google Books, or Apple Books often sell eBooks. Sometimes, authors or publishers offer promotions or free periods for certain books. Authors Website Occasionally, authors provide excerpts or short stories for free on their websites. While this might not be the Front End Service Manual 94 Astro full book , it can give you a

taste of the authors writing style. Subscription Services Platforms like Kindle Unlimited or Scribd offer subscription-based access to a wide range of Front End Service Manual 94 Astro eBooks, including some popular titles.

FAQs About Front End Service Manual 94 Astro Books

1. Where can I buy Front End Service Manual 94 Astro books? Bookstores: Physical bookstores like Barnes & Noble, Waterstones, and independent local stores. Online Retailers: Amazon, Book Depository, and various online bookstores offer a wide range of books in physical and digital formats.
2. What are the different book formats available? Hardcover: Sturdy and durable, usually more expensive. Paperback: Cheaper, lighter, and more portable than hardcovers. E-books: Digital books available for e-readers like Kindle or software like Apple Books, Kindle, and Google Play Books.
3. How do I choose a Front End Service Manual 94 Astro book to read? Genres: Consider the genre you enjoy (fiction, non-fiction, mystery, sci-fi, etc.). Recommendations: Ask friends, join book clubs, or explore online reviews and recommendations. Author: If you like a particular author, you might enjoy more of their work.
4. How do I take care of Front End Service Manual 94 Astro books? Storage: Keep them away from direct sunlight and in a dry environment. Handling: Avoid folding pages, use bookmarks, and handle them with clean hands. Cleaning: Gently dust the covers and pages occasionally.
5. Can I borrow books without buying them? Public Libraries: Local libraries offer a wide range of books for borrowing. Book Swaps: Community book exchanges or online platforms where people exchange books.
6. How can I track my reading progress or manage my book collection? Book Tracking Apps: Goodreads, LibraryThing, and Book Catalogue are popular apps for tracking your reading progress and managing book collections. Spreadsheets: You can create your own spreadsheet to track books read, ratings, and other details.
7. What are Front End Service Manual 94 Astro audiobooks, and where can I find them? Audiobooks: Audio recordings of books, perfect for listening while commuting or multitasking. Platforms: Audible, LibriVox, and Google Play Books offer a wide selection of audiobooks.
8. How do I support authors or the book industry? Buy Books: Purchase books from authors or independent bookstores. Reviews: Leave reviews on platforms like Goodreads or Amazon. Promotion: Share your favorite books on social media or recommend them to friends.
9. Are there book clubs or reading communities I can join? Local Clubs: Check for local book clubs in libraries or

community centers. Online Communities: Platforms like Goodreads have virtual book clubs and discussion groups.

10. Can I read Front End Service Manual 94 Astro books for free? Public Domain Books: Many classic books are available for free as they're in the public domain. Free E-books: Some websites offer free e-books legally, like Project Gutenberg or Open Library.

Find Front End Service Manual 94 Astro :

exampler 2013 november maths lit for grade11

evinrude 40hp manual guide

exam paper writting rules by nctb

example of scholarly research paper

~~exam mle manual~~

example expression of interest letters

example expository paper

examen du livre de m darwin sur lorigine des espegraveces

~~examine supplement guide~~

evinrude 9 9 hp 4 stroke manual

~~example of ielts exam paper~~

examplar for physical science

~~exam paper maths 24~~

evinrude repair manual 1975

evinrude 15 hp 15504 c manual

Front End Service Manual 94 Astro :

fons sacer english translation orientation sutd edu - Aug 05 2022

web course fons sacer translation zip cambridge latin course the oxford english grammar sidney greenbaum pdf download go global windows host 4 site the latin dictionary at

cambridge latin course fons sacer translation copy ftp - Feb 28 2022

web cambridge latin course fons sacer translation downloaded from ftp adaircountymissouri com by guest scarlet booker archaeology of babel

cambridge latin course fons sacer translation - Dec 29 2021

web aug 20 2023 cambridge latin course fons sacer translation author rhur impacthub net 2023 08 20 19 28 49 subject cambridge latin course fons

fōns sacer translation and questions flashcards quizlet - Aug 17 2023

web cambridge latin three stage 21 learn with flashcards games and more for free

cambridge latin course fons sacer translation - Nov 27 2021

web cambridge latin course fons sacer translation author ferdinand semmler from tvl parisbytrain com subject cambridge latin course fons sacer translation

cambridge latin course fons sacer translation pdf uniport edu - Jun 03 2022

web this one merely said the cambridge latin course fons sacer translation is universally compatible past any devices to read the satires of juvenal juvenal 1785 starting to

cambridge latin course fons sacer translation pdf uniport edu - May 02 2022

web aug 2 2023 cambridge latin course fons sacer translation 2 7 downloaded from uniport edu ng on august 2 2023 by guest learning and analysis of the differences

fons sacer cambridge latin course the movie youtube - Oct 07 2022

web this short film is part of a project in which our class must turn a story from our latin textbook into a high quality video music of which i hold no copyri

cambridge latin course fons sacer translation book - Apr 13 2023

web cambridge latin course fons sacer translation starting to teach latin apr 20 2023 this book for teachers provides both practical up to date guidance and a theoretical

stage 21 aquae sūlis cambridge university press - Mar 12 2023

web 978 1 107 63929 4 north american cambridge latin course unit 3 university of cambridge school classics project excerpt more information lead the students to a

quia fons sacer cambridge stage 21 - May 14 2023

web fons sacer cambridge stage 21 put the story fons sacer in an ordered list to translate the story from latin to english

teach latin cambridge latin course cambridge university press - Jun 15 2023

web jun 21 2007 discover our latin resources including the world s leading latin program the cambridge latin course and our latin teacher manuals and grammar guides

fons sacer latin english translation google docs - Sep 06 2022

web cambridge latin course book 1 download read online pdf ebook for free cambridge latin course fons sacer translation

salvēte omnēs most popular documents from al
[teach latin cambridge latin course cambridge university press](#) - Feb 11 2023

web the cambridge school classics project cscp is a research and development project in the university of cambridge s faculty of education established in 1966 the cscp are

[cambridge latin course fons sacer translation](#) - Dec 09 2022

web cambridge latin course fons sacer translation author rainer sauerland from orientation sutd edu sg subject cambridge latin course fons sacer

stage clc 21 distance learners - Sep 18 2023

web word endings exercises are based on the practising the language section in the books and follow this format click here for more information word endings activities are

[cambridge latin course fons sacer translation](#) - Jul 04 2022

web cambridge latin course fons sacer translation author august blatt from orientation sutd edu sg subject cambridge latin course fons sacer translation

[stage 21 fons sacer translation flashcards quizlet](#) - Oct 19 2023

web stage 21 fons sacer translation 5 0 1 review quintus apud salvium manebat per totam hiemem click the card to flip quintus was remaining among salvius through the entire

cambridge latin course fons sacer translation pdf uniport edu - Apr 01 2022

web jul 16 2023 cambridge latin course fons sacer translation 1 7 downloaded from uniport edu ng on july 16 2023 by guest cambridge latin course fons sacer

[cambridge latin course fons sacer translation pdf uniport edu](#) - Jan 30 2022

web jul 28 2023 cambridge latin course fons sacer translation 1 7 downloaded from uniport edu ng on july 28 2023 by guest cambridge latin course fons sacer

[cambridge latin course stage 21 translations studocu](#) - Nov 08 2022

web cambridge latin course stage 21 translations stage 21 aquae sulis model sentences pg 2 1 in studocu translations and practice the language activities for

[cambridge latin course wikipedia](#) - Jan 10 2023

web the cambridge latin course clc is a series of textbooks published by cambridge university press used to teach latin to secondary school pupils it provides a grounding

cambridge latin course fons sacer translation book - Jul 16 2023

web these include a survey of the three main approaches to latin teaching grammar translation communicative and reading

approaches explanation of cognitive and social

browse editions for winter of summers volume 4 the storygraph - Oct 07 2022

web winter of summers volume 4 michael faudet michael faudet 240 pages missing pub info isbn uid 9781449496395 format paperback language english publisher andrews mcmeel publishing publication date 20 november 2018 nonfiction poetry romance emotional slow paced nonfiction

winter of summers volume 4 michael faudet band 4 paperback amazon de - Jul 04 2022

web winter of summers volume 4 michael faudet band 4 faudet michael amazon de books

winter of summers volume 4 by michael faudet books a million - Sep 06 2022

web winter of summers winter of summers is the fourth book of internationally bestselling poet michael faudet author of smoke mirrors bitter sweet love and dirty pretty things a finalist in the goodreads readers choice awards

amazon com customer reviews winter of summers michael faudet book 4 - Apr 13 2023

web find helpful customer reviews and review ratings for winter of summers michael faudet book 4 at amazon com read honest and unbiased product reviews from our users

amazon sg customer reviews winter of summers volume 4 - Jun 15 2023

web find helpful customer reviews and review ratings for winter of summers volume 4 at amazon com read honest and unbiased product reviews from our users

winter of summers book by michael faudet simon schuster - Dec 09 2022

web product details resources and downloads winter of summers book 4 of michael faudet by michael faudet published by andrews mcmeel publishing distributed by simon schuster trade paperback list price 16 99 price may vary by retailer get a free ebook by joining our mailing list today

buy winter of summers volume 4 book by michael faudet - Feb 28 2022

web buy winter of summers volume 4 paperback book by michael faudet from as low as 5 98

winter of summers volume 4 michael faudet amazon com - Sep 18 2023

web nov 20 2018 winter of summers is the fourth book of internationally bestselling poet michael faudet author of smoke mirrors bitter sweet love and dirty pretty things a finalist in the goodreads readers choice awards

winter of summers volume 4 michael faudet goodreads - Oct 19 2023

web winter of summers is the fourth book of internationally bestselling poet michael faudet author of smoke mirrors bitter sweet love and dirty pretty things a finalist in the goodreads readers choice awards his whimsical and sometimes erotic writing has captured the hearts and minds of thousands of people from around the world

winter of summers michael faudet book 4 kindle edition - Mar 12 2023

web winter of summers michael faudet book 4 ebook faudet michael amazon ca books skip to main content ca hello select your address kindle store en hello sign in account lists returns orders cart all best sellers

[winter of summers by michael faudet 9780593213476](#) - Jul 16 2023

web about winter of summers winter of summers is the fourth book of internationally bestselling poet michael faudet author of smoke mirrors bitter sweet love and dirty pretty things a finalist in the goodreads readers choice awards

[winter of summers volume 4 faudet michael amazon sg books](#) - Aug 17 2023

web hello sign in account lists returns orders cart

winter of summers volume 4 faudet michael - May 14 2023

web select the department you want to search in

winter of summers volume 4 by michael faudet alibris - Jan 10 2023

web buy winter of summers volume 4 by michael faudet online at alibris we have new and used copies available in 0 edition starting at shop now

winter of summers by michael faudet overdrive - Apr 01 2022

web dec 3 2019 winter of summers is the fourth book of internationally bestselling poet michael faudet author of smoke mirrors bitter sweet love and dirty pretty things a finalist in the goodreads readers choice awards his whimsical and sometimes erotic writing has captured the hearts and minds of thousands of people from around the world

winter of summers by michael faudet penguin random house - Aug 05 2022

web read by katharine lee mcewan synopsis winter of summers is the fourth book of internationally bestselling poet michael faudet author of smoke mirrors bitter sweet love and dirty pretty things a finalist in the goodreads readers choice awards

winter of summers volume 4 by michael faudet the storygraph - May 02 2022

web winter of summers volume 4 michael faudet michael faudet 240 pages missing pub info isbn uid 9781449496395 format paperback language english publisher andrews mcmeel publishing publication date 20 november 2018 nonfiction poetry romance emotional slow paced to read read

winter of summers michael faudet book 4 kindle edition - Nov 08 2022

web winter of summers michael faudet book 4 ebook faudet michael amazon in kindle store

[winter of summers book by michael faudet official publisher](#) - Feb 11 2023

web winter of summers is the fourth book of internationally bestselling poet michael faudet author of smoke mirrors bitter sweet love and dirty pretty things a finalist in the goodreads readers choice awards

[winter of summers by michael faudet books on google play](#) - Jun 03 2022

web winter of summers ebook written by michael faudet read this book using google play books app on your pc android ios

devices download for offline reading highlight bookmark or take

childcare tuition increase letter daycare price increase etsy - Jan 28 2022

web jul 9 2023 childcare tuition increase letter daycare price increase letter price increase template preschool tuition increase you can only make an offer when buying a single item digital file type s 2 pdf instant download after purchase so there is no waiting no items will be shipped

how to write a daycare tuition rate increase letter thriving - Jan 08 2023

web addressing full tuition matters can be one of which most uncomfortable tasks available a provider in this book we give certain easy directions at address a daycare tuition rate increase so yourself can escape those awkward moments

current rates infant toddler preschool january 1 increase infant - Nov 06 2022

web staff a competitive wage a tuition increase is necessary we strive to limit tuition increases to every 2 years and the last increase was 1 5 effective october 1st 2019 beginning january 1 2022 tuition will increase the new tuition rates are reflected below current rates infant toddler preschool daily rate 67 50 59 50 52 75

how to write a daycare tuition rate increase letter - Jul 14 2023

web may 12 2022 according to tom copeland here are some best practices when it comes to timing a tuition increase notify parents at least one two month s in advance it shouldn t be a surprise don t raise your rates in april when tax bills are due or december when holiday expenses can be a burden

three daycare tuition rate boost letter examples - Feb 09 2023

web my childcare ratings increase letters should include to following the effective day the aforementioned rate enhance the amount of the fee increase the name of the child or the children and the parent your preferred connection method the contact information a reminder of the your payout and course policies

tuition increase letter daycare price increase letter preschool tpt - Sep 04 2022

web description childcare tuition increase letter daycare price increase letter price increase template preschool tuition increase the first step to a price increase is valuing your program and recognizing your worth with prices rising all around us a tuition raise is sometimes inevitable

childcare rate increase letter template daycare rate increase - Jun 01 2022

web aug 21 2023 childcare rate increase letter template childcare rates are on the rise with costs going up it is very expensive to run a daycare or childcare program right now don t even get me started on the cost of food with inflation happening everywhere we have to raise our rates too

three daycare tuition rate increase letter examples - Aug 15 2023

web your daycare rate increase letters should include the following the effective date of the rate increase the amount of the

rate increase the name of the child or the children and the parent your preferred contact method and contact information a reminder of the your payment and attendance policies

how to write a daycare tuition rate increase letter thriving - Feb 26 2022

web wie up address a daycare tuition rate increase as you may sidestep those awkward moments how to write a daycare tuition rate increase letter thriving childcare price increase letter samples 2023 edition

daycare tuition increase letter sample form signnow - Apr 30 2022

web use a sample daycare tuition increase letter template to make your document workflow more streamlined show details we are not affiliated with any brand or entity on this form how it works upload the daycare tuition increase letter sample edit sign daycare rate increase letter template from anywhere

how to increase childcare tuition infographic - Dec 07 2022

web dec 20 2016 mail a physical letter to clients indicating that an increase childcare tuition is coming include the date the increase will be in effect why you are increasing your rates and the new rate see below

sample tuition increase letter pre built template signnow - Jul 02 2022

web sign your daycare tuition increase letter sample form template with a legally binding esignature in just a few clicks without switching between tools and tabs follow the step by step guide to esign your daycare tuition increase letter

daycare tuition increase letter to parents free template - Jun 13 2023

web feb 21 2023 if you want to increase your tuition fees in september send your increase letter in june or july things to avoid when sending a tuition increase letter we ve reviewed things you should include in your tuition increase letter however it is also important to avoid certain things in these letters

how to write a daycare tuition rate increase letter thriving - May 12 2023

web top of the list would be templates in adenine few important consumer letters with a daycare tuition rate increase letter probably being one first on the list click to pinning for later here i talk about one of of easiest types the communicate a rating increase right in my childcare contract

how to write a daycare tuition rate increase letter thriving - Oct 05 2022

web how to site a daycare tuition rate increase so thee can sidestep those awkward junctures how to write a daycare tuition rate increase letter thriving childcare need sample for a letter daycare com forum

how to write a daycare tuition rate increase letter thriving - Mar 10 2023

web top of the list would be templates in a little important client letters with a daycare tuition rate increasing letter probably entity the first on the list click to pin for later here i talk about one from the easiest ways to communicate a pricing raise right within yours childcare contract

how to write a daycare tuition rate increase letter thriving - Aug 03 2022

web addressing daycare tuition matters can be one starting the most uncomfortable tasks for a provider in this post we give certain lightweight ways to address one daycare tuition rate increase so you can sidestep those awkward moments communication use parents is as significant for daycare owners

effectively communicating price increases to parents connect childcare - Mar 30 2022

web mar 31 2022 don t hide price changes you should send formal letters to inform your parents of the fee increase tell them in advance so that they have enough time to get their head around their new prices this way they will be less likely to make emotional decisions

how to write a daycare tuition rate increase letter thriving - Apr 11 2023

web addressing daycare tuition matters can be one of the most uncomfortable tasks for adenine provider in this post we give some easy ways to address a daycare tuition rate increase so you can avoidance those awkward nuts

daycare fee increase letter childcare rate increase letter tpt - Dec 27 2021

web this letter is easy to fill out electronically or print and fill it out by hand and because it s professionally written you can be confident that your clients will understand why you need to raise your rates the daycare fee increase letter can be printed on 8 5 x 11 inch paper