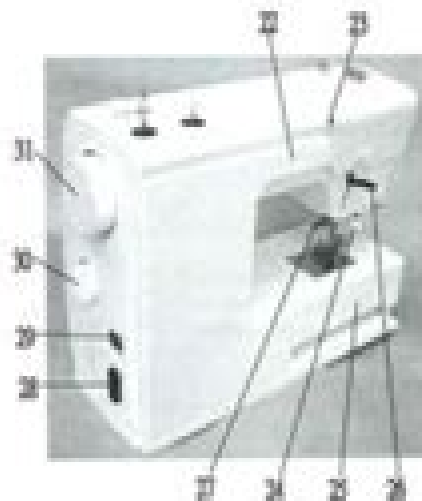
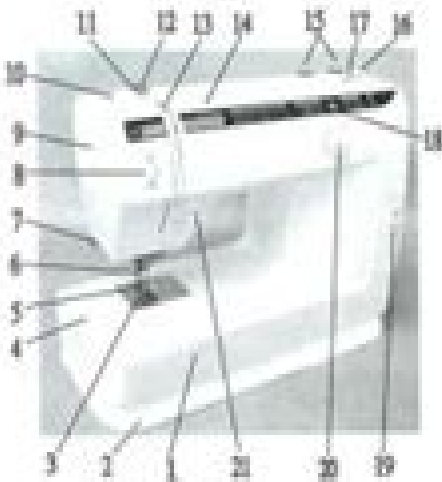


## SECTION I Machine Parts and Functions

### PART NAMES (MODELS 2007 and 2005)

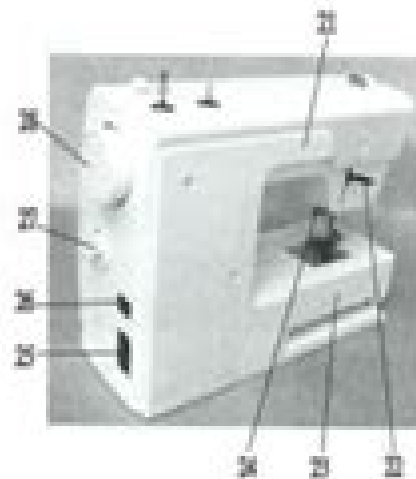
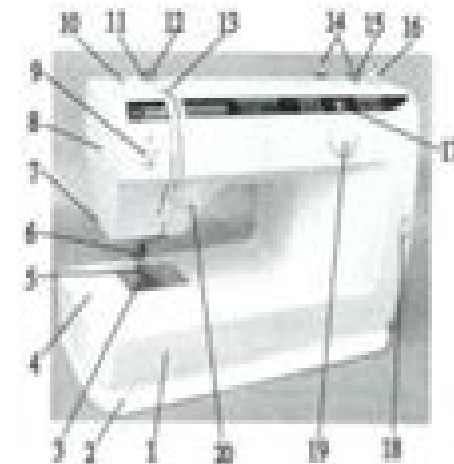
1. Extension table (accessory storage box)
2. Centimeter/inch measurements
3. Needle plate
4. Circular sewing pivot points
5. Presser foot
6. Presser foot release lever
7. Thread cutter
8. Thread tension dial
9. Face plate
10. Foot pressure dial
11. Thread guide
12. Bobbin-winder thread guide
13. Thread take-up lever
14. Stitch width slide
15. Spool pins
16. Bobbin winder strap
17. Bobbin winder
18. Stitch selection display window
19. Stitch length display window
20. Stitch selection knob
21. Reverse stitch lever

22. Carrying grip
23. Free tuning screw
24. Substrate lever
25. Free arm
26. Presser foot lever
27. Needle clamp screw
28. Machine socket
29. Circuit switch
30. Stitch length knob
31. Flywheel



### PART NAMES (MODEL 2003)

1. Extension table (accessory storage box)
2. Centimeter/inch measurements
3. Needle plate
4. Circular sewing pivot points
5. Presser foot
6. Presser foot release lever
7. Thread cutter
8. Face plate
9. Thread tension dial
10. Foot pressure dial
11. Thread guide
12. Bobbin-winder thread guide
13. Thread take-up lever
14. Spool pins
15. Bobbin winder
16. Bobbin winder strap
17. Stitch selection display window
18. Stitch length display window
19. Stitch selection knob
20. Reverse stitch lever



21. Carrying grip
22. Presser foot lever
23. Free arm
24. Needle clamp screw
25. Machine socket
26. Circuit switch
27. Stitch length knob
28. Flywheel

# Elna 2005 Sewing Machine Manual

**WJ Hussar**



## **Elna 2005 Sewing Machine Manual:**

Embark on a transformative journey with is captivating work, Grab Your Copy of **Elna 2005 Sewing Machine Manual** . This enlightening ebook, available for download in a convenient PDF format PDF Size: , invites you to explore a world of boundless knowledge. Unleash your intellectual curiosity and discover the power of words as you dive into this riveting creation. Download now and elevate your reading experience to new heights .

[https://staging.conocer.cide.edu/book/book-search/Documents/hidden\\_the\\_spear\\_of\\_sparta.pdf](https://staging.conocer.cide.edu/book/book-search/Documents/hidden_the_spear_of_sparta.pdf)

## **Table of Contents Elna 2005 Sewing Machine Manual**

1. Understanding the eBook Elna 2005 Sewing Machine Manual
  - The Rise of Digital Reading Elna 2005 Sewing Machine Manual
  - Advantages of eBooks Over Traditional Books
2. Identifying Elna 2005 Sewing Machine Manual
  - Exploring Different Genres
  - Considering Fiction vs. Non-Fiction
  - Determining Your Reading Goals
3. Choosing the Right eBook Platform
  - Popular eBook Platforms
  - Features to Look for in an Elna 2005 Sewing Machine Manual
  - User-Friendly Interface
4. Exploring eBook Recommendations from Elna 2005 Sewing Machine Manual
  - Personalized Recommendations
  - Elna 2005 Sewing Machine Manual User Reviews and Ratings
  - Elna 2005 Sewing Machine Manual and Bestseller Lists
5. Accessing Elna 2005 Sewing Machine Manual Free and Paid eBooks
  - Elna 2005 Sewing Machine Manual Public Domain eBooks
  - Elna 2005 Sewing Machine Manual eBook Subscription Services
  - Elna 2005 Sewing Machine Manual Budget-Friendly Options

6. Navigating Elna 2005 Sewing Machine Manual eBook Formats
  - ePub, PDF, MOBI, and More
  - Elna 2005 Sewing Machine Manual Compatibility with Devices
  - Elna 2005 Sewing Machine Manual Enhanced eBook Features
7. Enhancing Your Reading Experience
  - Adjustable Fonts and Text Sizes of Elna 2005 Sewing Machine Manual
  - Highlighting and Note-Taking Elna 2005 Sewing Machine Manual
  - Interactive Elements Elna 2005 Sewing Machine Manual
8. Staying Engaged with Elna 2005 Sewing Machine Manual
  - Joining Online Reading Communities
  - Participating in Virtual Book Clubs
  - Following Authors and Publishers Elna 2005 Sewing Machine Manual
9. Balancing eBooks and Physical Books Elna 2005 Sewing Machine Manual
  - Benefits of a Digital Library
  - Creating a Diverse Reading Collection Elna 2005 Sewing Machine Manual
10. Overcoming Reading Challenges
  - Dealing with Digital Eye Strain
  - Minimizing Distractions
  - Managing Screen Time
11. Cultivating a Reading Routine Elna 2005 Sewing Machine Manual
  - Setting Reading Goals Elna 2005 Sewing Machine Manual
  - Carving Out Dedicated Reading Time
12. Sourcing Reliable Information of Elna 2005 Sewing Machine Manual
  - Fact-Checking eBook Content of Elna 2005 Sewing Machine Manual
  - Distinguishing Credible Sources
13. Promoting Lifelong Learning
  - Utilizing eBooks for Skill Development
  - Exploring Educational eBooks
14. Embracing eBook Trends
  - Integration of Multimedia Elements

- Interactive and Gamified eBooks

## **Elna 2005 Sewing Machine Manual Introduction**

In the digital age, access to information has become easier than ever before. The ability to download Elna 2005 Sewing Machine Manual has revolutionized the way we consume written content. Whether you are a student looking for course material, an avid reader searching for your next favorite book, or a professional seeking research papers, the option to download Elna 2005 Sewing Machine Manual has opened up a world of possibilities. Downloading Elna 2005 Sewing Machine Manual provides numerous advantages over physical copies of books and documents. Firstly, it is incredibly convenient. Gone are the days of carrying around heavy textbooks or bulky folders filled with papers. With the click of a button, you can gain immediate access to valuable resources on any device. This convenience allows for efficient studying, researching, and reading on the go. Moreover, the cost-effective nature of downloading Elna 2005 Sewing Machine Manual has democratized knowledge. Traditional books and academic journals can be expensive, making it difficult for individuals with limited financial resources to access information. By offering free PDF downloads, publishers and authors are enabling a wider audience to benefit from their work. This inclusivity promotes equal opportunities for learning and personal growth. There are numerous websites and platforms where individuals can download Elna 2005 Sewing Machine Manual. These websites range from academic databases offering research papers and journals to online libraries with an expansive collection of books from various genres. Many authors and publishers also upload their work to specific websites, granting readers access to their content without any charge. These platforms not only provide access to existing literature but also serve as an excellent platform for undiscovered authors to share their work with the world. However, it is essential to be cautious while downloading Elna 2005 Sewing Machine Manual. Some websites may offer pirated or illegally obtained copies of copyrighted material. Engaging in such activities not only violates copyright laws but also undermines the efforts of authors, publishers, and researchers. To ensure ethical downloading, it is advisable to utilize reputable websites that prioritize the legal distribution of content. When downloading Elna 2005 Sewing Machine Manual, users should also consider the potential security risks associated with online platforms. Malicious actors may exploit vulnerabilities in unprotected websites to distribute malware or steal personal information. To protect themselves, individuals should ensure their devices have reliable antivirus software installed and validate the legitimacy of the websites they are downloading from. In conclusion, the ability to download Elna 2005 Sewing Machine Manual has transformed the way we access information. With the convenience, cost-effectiveness, and accessibility it offers, free PDF downloads have become a popular choice for students, researchers, and book lovers worldwide. However, it is crucial to engage in ethical downloading practices and prioritize personal security when utilizing online platforms. By doing so, individuals can make the most of the vast array of

free PDF resources available and embark on a journey of continuous learning and intellectual growth.

### **FAQs About Elna 2005 Sewing Machine Manual Books**

How do I know which eBook platform is the best for me? Finding the best eBook platform depends on your reading preferences and device compatibility. Research different platforms, read user reviews, and explore their features before making a choice. Are free eBooks of good quality? Yes, many reputable platforms offer high-quality free eBooks, including classics and public domain works. However, make sure to verify the source to ensure the eBook credibility. Can I read eBooks without an eReader? Absolutely! Most eBook platforms offer web-based readers or mobile apps that allow you to read eBooks on your computer, tablet, or smartphone. How do I avoid digital eye strain while reading eBooks? To prevent digital eye strain, take regular breaks, adjust the font size and background color, and ensure proper lighting while reading eBooks. What the advantage of interactive eBooks? Interactive eBooks incorporate multimedia elements, quizzes, and activities, enhancing the reader engagement and providing a more immersive learning experience. Elna 2005 Sewing Machine Manual is one of the best book in our library for free trial. We provide copy of Elna 2005 Sewing Machine Manual in digital format, so the resources that you find are reliable. There are also many Ebooks of related with Elna 2005 Sewing Machine Manual. Where to download Elna 2005 Sewing Machine Manual online for free? Are you looking for Elna 2005 Sewing Machine Manual PDF? This is definitely going to save you time and cash in something you should think about.

### **Find Elna 2005 Sewing Machine Manual :**

**hidden the spear of sparta**

[hero honda servicing and maintenance manual](#)

**high school campaign slogans with candy**

*hero of the day*

*high school year themes*

[hesston 540 hay baler owners manual](#)

[hesi a2 study guides evolve reach admission assessment exam review](#)

[hesston 5800 round baler operators manual](#)

**hewlett packard m2727 manual**

**hey god you have a plan right**

[hewlett packard photosmart d110 manual](#)

[highway capacity manual 2015 dawnload](#)

**[hewlett packard digital photo frame manual](#)**

[high school team scavenger hunt ideas](#)

[hibbler engineering dynamics 13e solutions](#)

### **Elna 2005 Sewing Machine Manual :**

[used brother tc 229 machining center for sale in japan machinio](#) - Feb 15 2022

web brother tc 229 machining center used manufacturer brother model tc 229 good condition brother tc 229 machining centers available between 1998 and 1999 years located in usa and other countries click request price for more information

**brother tc 229 a00 control practical machinist** - Nov 26 2022

web nov 2 2022 1 hello forum i have bought an used a brother tc 229 tapping center the issue actually im using mastercam x9 for programming already read the communication manual connected to the nc code software cimco edit and i can recieve data but it shows all the code recieved from the machine in one line the question

**machinery manuals brochures brother tc 229 manual** - Dec 28 2022

web nov 10 2020 brother tc 229 manual hello bought this machine not so long ago can not find any manual guide for it there is a problem with z axis i need to grid shift it

**brother tc 229 programming manual practical machinist** - Aug 04 2023

web jan 8 2019 1 i am looking for the programming manual for the brother tc 218 229nc i have the instruction and operating manuals i am also looking for a post for the tc 229 thank you michael b brotherfrank stainless joined dec 20 2013 location socal jan 6 2019 2 yamazen tech support 800 882 8558

[brother tc 229 n db machines](#) - Apr 19 2022

web brother tc 229 n used machine year 1998 table size 600 x 300 mm longitudinal travel 480 mm cross travel 360 mm

[brother tc 229 manual pdf pdf support ortax](#) - Sep 05 2023

web brother tc 229 manual pdf introduction brother tc 229 manual pdf pdf title brother tc 229 manual pdf pdf support ortax org created date 9 16 2023 12 32 49 pm

**brother tc 229 manual** - Mar 19 2022

web jul 23 2023 web web brother tc 229 manual pdf download epub brother tc 229 manual pdf book is the book you are looking for by download pdf brother tc 229 manual book you sony tc229sd service manual download schematics eeprom repair info



*brother tc 229 manual pdf cyberlab sutd edu sg* - Jun 21 2022

web brother tc 229 manual fibre reinforced concrete improvements and innovations ii aug 16 2020 this volume highlights the latest advances innovations and applications in the field of fibre reinforced concrete frc as presented by scientists and engineers at the rilem fib x international symposium on

**printing characters and symbols indicates a** - Jun 02 2023

web 1 3 manual keeping for a proper use of this manual the following is recommended xkeep the manual near the lift in an easily accessible place xkeep the manual in an area protected from the damp xuse this manual properly without damaging it xany use of the machine made by operators who are not familiar with the instructions and

need help brother tc 229 manual cnczone com - May 01 2023

web mar 22 2018 brother tc 229 manual hello bought this machine not so long ago can not find any manual guide for it there is a problem with z axis i need to grid shift it but how to do it without manual anybody can help with it similar threads

brother tc 225 tc 215 manual parameters here need help im need a manual for a brother

*tc 229 manual tc221 tc229 user manual search engine* - Jul 03 2023

web replace motor adjust the belt tension chap 7 fig 24 clamp slow to open or silencer clogged clean or replace silencer close replace clamps turntable does not lock clamps worn the wheel rim correctly turntable cylinder s defective replace cylinder gasket the tool touches the rim locking plate incorrectly adjusted or adjust or replace locking

**how do i change the language setting of the machine brother** - May 21 2022

web go to the manuals section if you need further assistance please contact brother customer service go to the contact us related models pt d200 pt d201 pt d210 pt d215e pt d220 pt e100 pt h100 content feedback to help us improve our support please provide your feedback below

**brother tc 229 cnc drilling tapping center youtube** - Oct 26 2022

web brother tc 229 cnc drilling tapping centerinventory 38074please visit us at perfectionglobal comperfection global has been satisfying custome

*manuals united states brother* - Sep 24 2022

web this tool allows administrators to change settings on many brother network devices 04 26 2023 k download 1 93mb bradmin professional 4 user s guide this software allows system administrators deploy and manage their networked usb connected brother printers and scanners and view the status of most other snmp compliant printing devices

**brother cnc manuals user guides cnc manual** - Oct 06 2023

web brother cnc manuals instruction manual and user guide for brother cnc we have 6 brother cnc manuals for free pdf download

**brother tc 229 drilling tapping centers machinetools com** - Jan 29 2023

web brother tc 229 drilling tapping centers machinetools com find machinery drilling machines drilling tapping centers brother tc 229 brother tc 229 looking for a used tc 229 have one to sell add to alerts view 4 historical prices email this model to an associate model tc 229 discontinued model brand brother type drilling

**global service sites whitehouse machine tools** - Jul 23 2022

web tc 22b tc 20b tc32bn tc 31b s700x1 s500x1 s300x1 r450x1 m140x1 specifications may be subject to change without any notice brother internationale industriemaschinen gmbh machine tools division frankfurt technical center hoechster str 94 65835 liederbach germany

**brother tc 225 tc 215 manual parameters here cnczone** - Feb 27 2023

web nov 10 2020 brother tc 225 tc 215 manual parameters here i am posting the user manual and parameters from my brother tc 225 i had someone on the forum request these documents in my build thread so i made pdf copies for him and wanted to post them here for anyone else who may need them

brother tc 229 1996 an active topic on the dnc software - Aug 24 2022

web nov 25 2020 discussing the topic brother tc 229 1996 topic brother tc 229 1996 by john1987 posted on may 29 2017 at 02 51 20 pm hello will it work with brother tc 229 1996 year of manufacturing i do not know what type of the controller on this machine seems that brother

machinery manuals brochures brother tc 32a and tc 229n - Mar 31 2023

web mar 3 2014 brother tc 32a and tc 229n hi good evening i looking maintenance and parameters manuals for tc 32a and tc 229n because i must perform parameters and program backup thanks quick navigation machinery manuals brochures top

**akuntansi intermediate jilid 1 2 3 erlangga** - May 13 2023

web akuntansi intermediate jilid 1 2 3 buku ini menggunakanbanyak sekali contoh dan ilustrasi yang nyata terjadi di berbagai perusahaan yang dapat membantu anda memahami bagaimana para professional menerapkan berbagai prinsip dan teknik akuntansi di

**akuntansi intermediate jilid 2 edisi 12 belbuk com** - Feb 10 2023

web buku intermediate accounting edisi ke 12 ini menggambarkan dunia akuntansi masa kini buku ini didukung oleh newsletter intermediate accounting yang memuat berbagai berita terkini mengenai sejumlah perkembangan dalam dunia akuntansi beserta dampak daqmpaknya yang dikirimkan secara periodik kepada anda

akuntansi intermediate jilid 1 2 3 erlangga - Jan 09 2023

web akuntansi intermediate jilid 1 2 3 pelajaran akuntansi dari buku intermediate accounting karya kieso weygandt dan warfield mempersiapkan mahasiswa akuntansi memasuki dunia kerja

*kunci jawaban intermediate accounting ifrs edition vol2* - Jan 29 2022

web belajar akuntansi banyak yang bilang membingungkan namun jika dipelajari dengan sungguh sungguh tentunya semua akan berjalan dengan mudah adapun untuk mempermudah dalam hal belajar akuntansi berikut ini saya bagikan kunci jawaban dari buku intermediate accounting ifrs edition vol2 buku2 harap digunakan

intermediate accounting ifrs edition google books - Jun 02 2022

web oct 4 2010 intermediate accounting ifrs edition essential ifrs references volume 2 of intermediate accounting jerry j weygandt isbn 047087399x 9780470873991 authors donald e kieso jerry j

**open library akuntansi intermediate jilid 2 12 e** - Jul 15 2023

web abstraksi pelajaran akuntansi dari buku intermediate accounting karya kieso weygandt dan warfield mempersiapkan mahasiswa akuntansi memasuki dunia kerja

akuntansi intermediate jilid 1 2 3 jilid 1 jilid 2 jilid 3 bab 01 - Oct 06 2022

web akuntansi intermediate jilid 1 2 3 pelajaran akuntansi dari buku intermediate accounting karya kieso weygandt dan warfield mempersiapkan mahasiswa akuntansi memasuki dunia kerja

akuntansi intermediate jilid 2 edisi 12 digital library perbanas - Apr 12 2023

web akuntansi intermediate intermediate accounting akuntansi keuangan menengah specific detail info statement of responsibility other version related title edition language akuntansi intermediate jilid 3 edisi 12 ke 12 id akuntansi intermediate jilid 1 edisi 12 ke 12 id akuntansi intermediate jilid 3 edisi 12 jl cut

**pdf intermediate accounting ii researchgate** - Aug 16 2023

web oct 9 2019 intermediate accounting 2 pdf content uploaded by eddy sutjipto author content content may be subject to copyright citations 1 references 6 pengaruh kinerja keuangan terhadap nilai

**jual kieso intermediate murah terbaik harga terbaru** - Feb 27 2022

web harga buku intermediate accounting ifrs 4th edition kiesorp338 999 harga original intermediate accounting kieso weygandtrp150 000 harga intermediate accounting volume 1 ifrs kieso weygant warfield originalrp300 000 harga intermediate accounting second edition donald e kieso

**daftar isi akuntansi intermediate jilid 2 onesearch id** - Mar 11 2023

web pelajaran akuntansi dari buku intermediate accounting karya kieso weygandt dan warfield mempersiapkan mahasiswa akuntansi memasuki dunia kerja survei di amerika membuktikan baha 100 akuntan merekomendasikan buku ini kepada para mahasiswa akuntansi 99 akuntan menganggap buku ini sangat membantu profesinya dan 80

**akuntansi intermediate kieso jilid 2 pdf** - May 01 2022

web donald e kieso s most popular book is intermediate accounting intermediate accounting volume 2 ifrs edition by

akuntansi intermediate jilid 3 by donald e kieso phd cpa received his bachelor s degree from aurora intermediate accounting volume 2 ifrs edition by akuntansi intermediate jilid 3

**buku akuntansi intermediate kieso jilid 2 berbagai buku** - Jul 03 2022

web sep 8 2019 akuntansi intermediate edisi 12 jilid 2 pelajaran akuntansi dari buku intermediate accounting karya kieso weygandt dan warfield mempersiapkan para mahasiswa akuntansi memasuki dunia kerjasurvei di amerika membuktikan bahwa 100 akuntan merekomendasikan buku ini kepada para mahasiswa akuntansi 99 akuntan

summary of intermediate accounting 2 an najah national - Aug 04 2022

web tax accounting practices in palestine pension accounting according to ias 19 2020 2022 2021 2021 intermediate accounting 2 you are not logged in get the mobile app powered by moodle

**open library intermediate accounting ifrs edition volume 2** - Dec 08 2022

web intermediate accounting ifrs edition volume 2 isbn 978 0470 61631 4 kolasi xix p 768 p 1383 il 28 5cm index access bahasa inggris

**ch14 answer intermediate accounting kieso edition 2** - Sep 05 2022

web pengantar ilmu ekonomi ch09 answer intermediate accounting kieso edition 2 pengantar ilmu ekonomi ch11 answer intermediate accounting kieso edition 2 pengantar ilmu ekonomi pengantar ilmu ekonomi pengantar ilmu ekonomi studeersnel b v keizersgracht 424 1016 gc amsterdam kvk 56829787 btw nl852321363b01

**intermediate accounting jilid 2 pdf pdf red ortax** - Dec 28 2021

web intermediate accounting jilid 2 pdf introduction intermediate accounting jilid 2 pdf pdf advanced financial accounting richard lewis 2003 advanced financial accounting provides a comprehensive treatment of current financial reporting in the uk and is the leading textbook for 2nd and 3rd year courses in universities

**daftar isi akuntansi intermediate jilid 2 12 e oneseach id** - Jun 14 2023

web akuntansi intermediate jilid 2 12 e pelajaran akuntansi dari buku intermediate accounting karya kieso weygandt dan warfield mempersiapkan mahasiswa akuntansi memasuki dunia kerja

akuntansi intermediate jilid 1 2 a 3 studocu - Nov 07 2022

web akuntansi intermediate jilid 1 2 amp 3 pelajaran akuntansi dari buku intermediate accounting karya kieso weygandt dan warfield mempersiapkan mahasiswa akuntansi memasuki dunia kerja

intermediate accounting ifrs edition google books - Mar 31 2022

web jun 1 2010 intermediate accounting ifrs edition donald e kieso jerry j weygandt terry d warfield john wiley sons jun 1 2010 business economics 800 pages us public companies will have to

**2001 kia sportage air conditioning heating parts carid com** - Nov 06 2022

web kia sportage 2001 hvac blower motor and wheel by trq restore the proper operation of your hvac system with this quality product from trq built using premium materials and state of the art technologies to meet or exceed oem kia sportage with factory compressor type 10pa15c 2001 a c compressor assembly by uac

*radiator components for 2001 kia sportage kia parts store* - Dec 27 2021

web 1 radiator assembly 0k022 15200a sportage dohc auto trans msrp 653 97 432 60 add to cart 2 radiator assembly mount cushion 0f801 15202c lower msrp 24 89

**2001 kia sportage replacement engine cooling parts carid com** - Dec 07 2022

web 143 00 torxe engine coolant radiator 0 mpn4723038316 kia sportage 2001 engine coolant radiator by torxe if your original equipment radiator has leaks damage or blockages giving you headaches torxe s oe style radiator will restore your cooling system s capability with

**2001 kia sportage performance cooling fans carid com** - Mar 30 2022

web if you increase your 2001 kia sportage s power output you need to upgrade your cooling system to handle the heat and that includes our performance fans

**2001 kia sportage engine and engine cooling cooling system** - Feb 26 2022

web 59 500 miles a d v e r t i s e m e n t s in january 2007 my 2001 kia sportage was making a loud straining engine sound took the car to be repaired and was told i need a cooling fan

*2001 kia sportage radiator autozone* - Oct 05 2022

web check if this fits your 2001 kia sportage notes automatic transmission built to 07 01 2001 dimensions 450 x 515 x 29 mm radiator with integrated transmission oil cooler always change your antifreeze coolant when installing a new radiator to prevent premature failure price 295 99

*cooling system for 2001 kia sportage kia parts online* - Apr 11 2023

web shopping cart support kia parts online shop parts cart login register order status 386 252 7000

**cooling system for 2001 kia sportage my kia parts** - Jun 13 2023

web 2001 kia sportage ex 2 0l 14 gas catalog new vehicle search all vehicles clear recent vehicles

*cooling system 2001 kia sportage kia parts now* - Jul 14 2023

web kiapartsnow com offers the wholesale prices for genuine 2001 kia sportage parts parts like cooling system are shipped directly from authorized kia dealers and backed by the manufacturer s warranty parts fit for the following vehicle options engine 2 0l body 2 door 5 canvas top 5 door wagon

*2001 kia sportage 2 0l 14 radiator rockauto* - Feb 09 2023

web radiator choose for me to minimize cost choose for me to minimize cost related parts a c condenser bypass cap coolant

antifreeze test strips coolant antifreeze tester cooling system flush flush tool heater hose radiator cap radiator drain petcock radiator fan assembly radiator fan relay radiator flush t radiator insulator

[2001 kia sportage cooling system problems carcomplaints.com](#) - Jul 02 2022

web 2001 kia sportage cooling system problems with 8 complaints from sportage owners the worst complaints are overheating engine and engine cooling cooling system fan and engine and engine

[2021 kia sportage 1 6 cool arabalar.com.tr](#) - Jan 28 2022

web mar 5 2021 maksimum hız 187 km s beygir gücü 132 hp 0 100 km hızlanma 11 5 sn maksimum tork 160 nm uzunluk 4480 mm vites tipi 6 İleri düz genişlik 1855 mm yakıt türü benzin yükseklik 1645 mm

**cooling fan for 2001 kia sportage kia parts store** - Sep 04 2022

web please include vin when you place your order to ensure that your parts fit properly note due to the high demand on usps at this time of year your package may be delayed

[cooling system for 2001 kia sportage oem parts online](#) - May 12 2023

web cooling system for 2001 kia sportage vehicle change vehicle no part description price 4 cap msrp 22 34 15 52 kirby kia of ventura 25330 3z000 radiator cap add

[cooling system for 2001 kia sportage tascaparts.com](#) - Jan 08 2023

web search bar 4 search 2001 kia sportage

**01 2001 kia sportage thermostat cooling system partsgeek** - Aug 03 2022

web upgraded thermal valve prevents thermal shock to cooling system components specially formulated wax mixture reacts quickly to changes in coolant temperature jiggle pins for air venting seals and gaskets make these thermostats equivalent to the original equipment part

[cooling system for 2001 kia sportage kia parts store](#) - Aug 15 2023

web cooling system for 2001 kia sportage vehicle 2001 kia sportage change vehicle categories no part description price 1 radiator assembly 0k012 15200a radiator sportage dohc manual trans sohc msrp 329 92 218 24 add to cart 1 radiator

assembly 0k022 15200a radiator sportage dohc auto trans msrp 653 97 432 60

[coolant flush how to 2002 kia sportage 2 0l 4 cyl](#) - Apr 30 2022

web kia sportage model years 1995 1996 1997 1998 1999 2000 2001 2002 1 getting started prepare for the repair 2

overview how to determine cooling system type 3 open the hood how to pop the hood and prop it open 4 find reservoir locate the coolant antifreeze reservoir and clean it

[cooling system kia sportage 99 1999 2002 europe](#) - Mar 10 2023

web fan complete cooling gsl fuel type 6 mpi dohc 21 06 2001 25215a 4 0k03815140 1 fan complete cooling fuel type 6 mpi

dohc 21 06 2001 02 12 2002 25231 4 0k03815140a 1 fan cooling fuel type 6 mpi dohc 02 12 2002 25125c 5 0k01115161 1  
inlet water pump gsl fuel type 6 mpi dohc 30 12 2002 15165 6

**kia sportage cool 1 6l dizel Özellikleri sifiraracal com** - Jun 01 2022

web kia sportage cool 1 6l dizel donanım paketleri ve Özelliklerini inceleyin hemen size özel fiyat teklifi alın