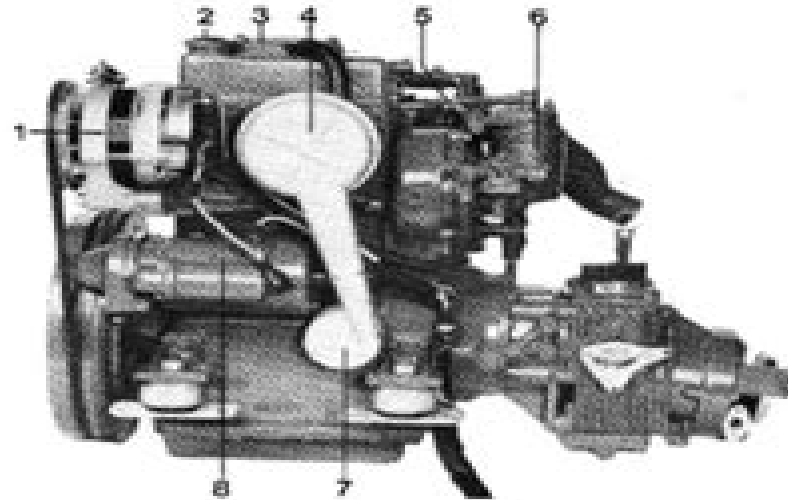
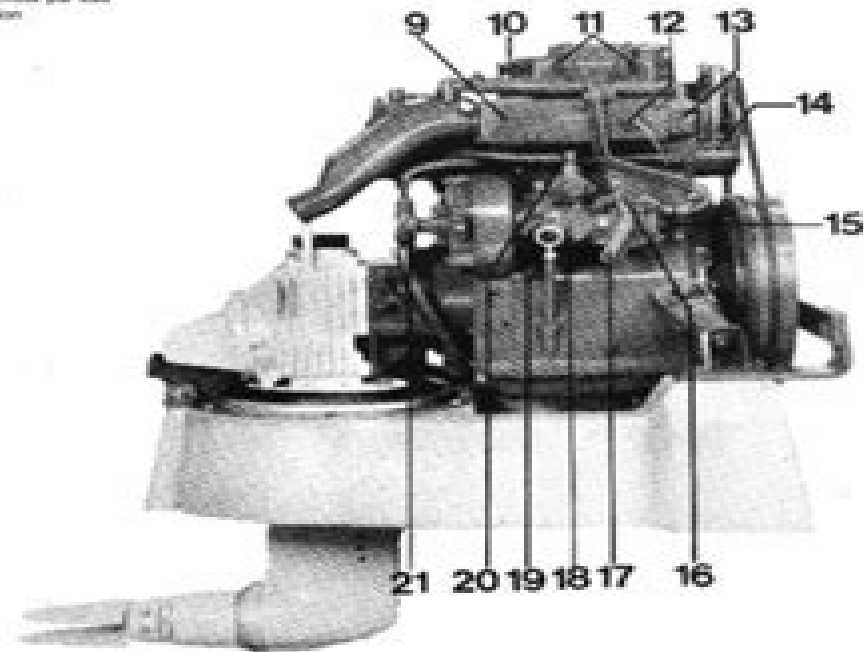


## Presentation



1. Alternateur
2. Remplissage d'huile, moteur
3. Ventilateur, circuit fermé
4. Manivelle d'aspiration
5. Pompe d'alimentation
6. Filtre à carburant
7. Filtre à huile
8. Démarreur
9. Tuyau d'échappement refroidi par eau
10. Poignée de décompression
11. Injecteurs
12. Thermo-contact
13. Boîtier de thermostat
14. Poignée de démarrage
15. Bouchon de vidange
16. Levier, accélérateur
17. Levier d'arrêt
18. Pompe d'injection
19. Jauge d'huile
20. Conduit de retour d'huile
21. Pompe à eau de mer



# Md7b Workshop Manual

**JE Gale**



## **Md7b Workshop Manual:**

*Inboard Engines & Drives Service Manual: Oldsmobile, OMC, Peugeot, Universal, Volvo, Westerbeke and Yanmar gas and diesel engines ... with section on popular inboard drives*, 1984    **MGB** John Harold Haynes, 1971    **M. G. B. Owner's Workshop Manual** John Harold Haynes, 1969    *Mgb* British Leyland Motor Corporation, 1970    **MGF Workshop Manual** Brooklands Books, 2006-03-01 This is a re issue of the official factory manual and includes the following publications  
MGF Workshop Manual RCL 0051ENG 8th edition K Seroes Engine Overhaul Manual RCL0057ENG 6th Edition PG1 Manual Gearbox Overhaul Manual RCL 0124 2nd edition Covers all components and tasks in great detail for both minor and major repairs Engines covered 1 6 MPi 1 8 MPi 1 8VVC    **Hino Workshop Manual**, 1984\*    MGF Workshop Manual, 2000  
7-tonner Workshop Manual, 1956    *MGB Workshop Manual* Austin-Morris)Ltd. Service Division British,    Maxi Workshop Manual British Leyland Motor Corporation. Austin Morris Service, 1975    **Workshop Manual** Rootes Motors. Service Division, 1962    L.D. 260-360 British Leyland (Austin-Morris). Service Division, 1971    **B.M.C. 7 Tonner Workshop Manual** British Motor Corporation, 1956\*    Dodge & Plymouth Vans Owners Workshop Manual John Harold Haynes, P. B. Ward, 1978    **The M.G.M.G.B. Workshop Manual** British Motor Corporation Service, Ltd, 1964    1800 and 18/85 Workshop Manual British Leyland (Austin-Morris) Limited. Service Division, 1969    MGB Owners' Workshop Manual John Fowler, 1989    Fifteen Hundred and One-point-five Workshop Manual British Motor Corporation, British Motor Corporation. BMC Service Division, 1965    *MGB Workshop Manual* British Motor Corporation, British Motor Corporation. BMC Service Division, 1965    **MGB Workshop Manual** British Leyland (Austin-Morris) Limited, 1972

## Decoding **Md7b Workshop Manual**: Revealing the Captivating Potential of Verbal Expression

In an era characterized by interconnectedness and an insatiable thirst for knowledge, the captivating potential of verbal expression has emerged as a formidable force. Its power to evoke sentiments, stimulate introspection, and incite profound transformations is genuinely awe-inspiring. Within the pages of "**Md7b Workshop Manual**," a mesmerizing literary creation penned with a celebrated wordsmith, readers set about an enlightening odyssey, unraveling the intricate significance of language and its enduring affect our lives. In this appraisal, we shall explore the book is central themes, evaluate its distinctive writing style, and gauge its pervasive influence on the hearts and minds of its readership.

<https://staging.conocer.cide.edu/data/browse/default.aspx/msc%20chemistry%20entrance%20paper.pdf>

### **Table of Contents Md7b Workshop Manual**

1. Understanding the eBook Md7b Workshop Manual
  - The Rise of Digital Reading Md7b Workshop Manual
  - Advantages of eBooks Over Traditional Books
2. Identifying Md7b Workshop Manual
  - Exploring Different Genres
  - Considering Fiction vs. Non-Fiction
  - Determining Your Reading Goals
3. Choosing the Right eBook Platform
  - Popular eBook Platforms
  - Features to Look for in an Md7b Workshop Manual
  - User-Friendly Interface
4. Exploring eBook Recommendations from Md7b Workshop Manual
  - Personalized Recommendations
  - Md7b Workshop Manual User Reviews and Ratings
  - Md7b Workshop Manual and Bestseller Lists

5. Accessing Md7b Workshop Manual Free and Paid eBooks
  - Md7b Workshop Manual Public Domain eBooks
  - Md7b Workshop Manual eBook Subscription Services
  - Md7b Workshop Manual Budget-Friendly Options
6. Navigating Md7b Workshop Manual eBook Formats
  - ePub, PDF, MOBI, and More
  - Md7b Workshop Manual Compatibility with Devices
  - Md7b Workshop Manual Enhanced eBook Features
7. Enhancing Your Reading Experience
  - Adjustable Fonts and Text Sizes of Md7b Workshop Manual
  - Highlighting and Note-Taking Md7b Workshop Manual
  - Interactive Elements Md7b Workshop Manual
8. Staying Engaged with Md7b Workshop Manual
  - Joining Online Reading Communities
  - Participating in Virtual Book Clubs
  - Following Authors and Publishers Md7b Workshop Manual
9. Balancing eBooks and Physical Books Md7b Workshop Manual
  - Benefits of a Digital Library
  - Creating a Diverse Reading Collection Md7b Workshop Manual
10. Overcoming Reading Challenges
  - Dealing with Digital Eye Strain
  - Minimizing Distractions
  - Managing Screen Time
11. Cultivating a Reading Routine Md7b Workshop Manual
  - Setting Reading Goals Md7b Workshop Manual
  - Carving Out Dedicated Reading Time
12. Sourcing Reliable Information of Md7b Workshop Manual
  - Fact-Checking eBook Content of Md7b Workshop Manual
  - Distinguishing Credible Sources
13. Promoting Lifelong Learning

- Utilizing eBooks for Skill Development
  - Exploring Educational eBooks
14. Embracing eBook Trends
- Integration of Multimedia Elements
  - Interactive and Gamified eBooks

### **Md7b Workshop Manual Introduction**

In today's digital age, the availability of Md7b Workshop Manual books and manuals for download has revolutionized the way we access information. Gone are the days of physically flipping through pages and carrying heavy textbooks or manuals. With just a few clicks, we can now access a wealth of knowledge from the comfort of our own homes or on the go. This article will explore the advantages of Md7b Workshop Manual books and manuals for download, along with some popular platforms that offer these resources. One of the significant advantages of Md7b Workshop Manual books and manuals for download is the cost-saving aspect. Traditional books and manuals can be costly, especially if you need to purchase several of them for educational or professional purposes. By accessing Md7b Workshop Manual versions, you eliminate the need to spend money on physical copies. This not only saves you money but also reduces the environmental impact associated with book production and transportation. Furthermore, Md7b Workshop Manual books and manuals for download are incredibly convenient. With just a computer or smartphone and an internet connection, you can access a vast library of resources on any subject imaginable. Whether you're a student looking for textbooks, a professional seeking industry-specific manuals, or someone interested in self-improvement, these digital resources provide an efficient and accessible means of acquiring knowledge. Moreover, PDF books and manuals offer a range of benefits compared to other digital formats. PDF files are designed to retain their formatting regardless of the device used to open them. This ensures that the content appears exactly as intended by the author, with no loss of formatting or missing graphics. Additionally, PDF files can be easily annotated, bookmarked, and searched for specific terms, making them highly practical for studying or referencing. When it comes to accessing Md7b Workshop Manual books and manuals, several platforms offer an extensive collection of resources. One such platform is Project Gutenberg, a nonprofit organization that provides over 60,000 free eBooks. These books are primarily in the public domain, meaning they can be freely distributed and downloaded. Project Gutenberg offers a wide range of classic literature, making it an excellent resource for literature enthusiasts. Another popular platform for Md7b Workshop Manual books and manuals is Open Library. Open Library is an initiative of the Internet Archive, a non-profit organization dedicated to digitizing cultural artifacts and making them accessible to the public. Open Library hosts millions of books, including both public domain works and contemporary titles. It also allows users to borrow digital copies of certain books for a limited

period, similar to a library lending system. Additionally, many universities and educational institutions have their own digital libraries that provide free access to PDF books and manuals. These libraries often offer academic texts, research papers, and technical manuals, making them invaluable resources for students and researchers. Some notable examples include MIT OpenCourseWare, which offers free access to course materials from the Massachusetts Institute of Technology, and the Digital Public Library of America, which provides a vast collection of digitized books and historical documents. In conclusion, Md7b Workshop Manual books and manuals for download have transformed the way we access information. They provide a cost-effective and convenient means of acquiring knowledge, offering the ability to access a vast library of resources at our fingertips. With platforms like Project Gutenberg, Open Library, and various digital libraries offered by educational institutions, we have access to an ever-expanding collection of books and manuals. Whether for educational, professional, or personal purposes, these digital resources serve as valuable tools for continuous learning and self-improvement. So why not take advantage of the vast world of Md7b Workshop Manual books and manuals for download and embark on your journey of knowledge?

### **FAQs About Md7b Workshop Manual Books**

How do I know which eBook platform is the best for me? Finding the best eBook platform depends on your reading preferences and device compatibility. Research different platforms, read user reviews, and explore their features before making a choice. Are free eBooks of good quality? Yes, many reputable platforms offer high-quality free eBooks, including classics and public domain works. However, make sure to verify the source to ensure the eBook credibility. Can I read eBooks without an eReader? Absolutely! Most eBook platforms offer web-based readers or mobile apps that allow you to read eBooks on your computer, tablet, or smartphone. How do I avoid digital eye strain while reading eBooks? To prevent digital eye strain, take regular breaks, adjust the font size and background color, and ensure proper lighting while reading eBooks. What the advantage of interactive eBooks? Interactive eBooks incorporate multimedia elements, quizzes, and activities, enhancing the reader engagement and providing a more immersive learning experience. Md7b Workshop Manual is one of the best book in our library for free trial. We provide copy of Md7b Workshop Manual in digital format, so the resources that you find are reliable. There are also many Ebooks of related with Md7b Workshop Manual. Where to download Md7b Workshop Manual online for free? Are you looking for Md7b Workshop Manual PDF? This is definitely going to save you time and cash in something you should think about.

**Find Md7b Workshop Manual :**

**msc chemistry entrance paper**

**muhammad ali 2d fix the mistake**

[mtu ecu manual](#)

**multiple choice iq test questions with answers**

*msce maneb results for blantyre baptist academy*

[multifuge 3 s r manual](#)

**ms112 overdrive parts**

[msbte modal ans paper 12022](#)

*multiple choice of sampling design*

[msce 20result at zingwangwa secondary school](#)

[mule kicker drink recipe](#)

**multiple choice answers ap chemistry 2002**

*mthodbio mathmatiques conforme nouveau programme*

~~[mtd 990 snowblower service user guide](#)~~

~~[multiple choice questions for budgeting](#)~~

**Md7b Workshop Manual :**

[cuore di tenebra italian edition kindle edition amazon in](#) - Feb 25 2022

web il lettore vive l aspettativa di marlow soprattutto e il cuore di tenebra l uomo eccezionale nascosto nelle profondità della foresta primordiale quando si mostra non è tutto questo

*foresta di tenebra 9788830447400 books amazon ca* - May 31 2022

web foresta di tenebra 9788830447400 books amazon ca skip to main content ca hello select your address books select the department you want to search in search

*foresta di tenebra book thriftbooks* - Jan 07 2023

web buy a cheap copy of foresta di tenebra book free shipping on all orders over 15 foresta di tenebra italian by regazzoni simone no customer reviews no

**foresta di tenebra hardcover july 6 2017 amazon com** - Sep 22 2021

web jul 6 2017 foresta di tenebra regazzoni simone on amazon com free shipping on qualifying offers foresta di tenebra



*foresta di tenebra mauri spagnol editori* - Mar 09 2023

web foresta di tenebra the forest of darkness casa editrice longanesi c july 2017 pp 368 action enigmas adventures and a frenzied rhythm the adventurous and

*foresta di tenebra italian edition kindle edition amazon co uk* - May 11 2023

web jul 6 2017 foresta di tenebra italian edition ebook regazzoni simone amazon co uk kindle store

**foresta di tenebra regazzoni simone amazon com au books** - Sep 03 2022

web hello sign in account lists returns orders cart

**the forest İndir full pc türkçe 2023 online full indir** - Apr 29 2022

web the forest İndir full pc v1 12 meydana gelen bir uçak kazası sonucu hayatta kalmaya başaran tek kişi olacak ve kendinizi yamyam mutantların yer aldığı bir bölgede

**foresta di tenebra archivio di anna** - Jun 12 2023

web italiano it pdf 1 6mb regazzoni simone 2017 foresta di tenebra regazzoni simone pdf 2017 foresta di tenebra regazzoni simone 2017 foresta di

**foresta di tenebra regazzoni simone amazon com tr kitap** - Jul 01 2022

web foresta di tenebra regazzoni simone amazon com tr kitap Çerez tercihlerinizi seçin Çerez bildirimimizde ayrıntılı şekilde açıklandığı üzere alışveriş yapmanızı sağlamak

**firtına the tempest türkçe dublaj film İzle youtube** - Nov 24 2021

web dec 17 2020 aksiyon macera fantastik full film İzle türkçe dublajİngilizceden çevrilmiştir the tempest william shakespeare in aynı adlı oyununa dayanan 2010

*foresta di tenebra by amazon ae* - Oct 04 2022

web buy foresta di tenebra by online on amazon ae at best prices fast and free shipping free returns cash on delivery available on eligible purchase

**world of letters home page** - Jan 27 2022

web targeting more than 600 k young ages 10 24 more than 2000 quantitative surveys for civic engagement working locations 05 balqa zarqa irbid madaba mafraq

**foresta di tenebra italian edition by simone regazzoni galileo** - Dec 06 2022

web foresta di tenebra italian edition by simone regazzoni foresta di tenebra italian edition by simone regazzoni 573 fantastiche immagini su recensioni di libri nel 2020

**foresta di tenebra italian edition by simone regazzoni** - Aug 02 2022

web acquire this foresta di tenebra italian edition by simone regazzoni after acquiring offer eventually you will absolutely

reveal a extra knowledge and act by expending additional

**firtina tablo vikipedi** - Dec 26 2021

web firtina tablo firtina 1 İtalyanca la tempesta İtalyan ressam giorgione nin 1506 1508 tarihleri arasında yaptığı rönesans tablosu venedikli bir soylu olan gabriele

**foresta di tenebra regazzoni simone 9788830447400** - Apr 10 2023

web abebooks com foresta di tenebra 9788830447400 by regazzoni simone and a great selection of similar new used and collectible books available now at great prices

foresta di tenebra regazzoni simone amazon de books - Nov 05 2022

web jul 6 2017 foresta di tenebra regazzoni simone amazon de books continue without accepting select your cookie preferences we use cookies and similar tools

**foresta di tenebra italian edition cyberlab sutd edu sg** - Jul 13 2023

web foresta di tenebra italian edition italian literature since 1900 in english translation 1929 2016 jan 06 2023 providing the most complete record possible of texts by italian

the forest ita la foresta del terrore ep 1 youtube - Mar 29 2022

web may 31 2016 the forest itacosa ne pensate volete vedere una serie su questo gioco a noi piacerebbe tantissimo portare un survival nel canale dyoutubers life ita ep 5

**foresta di tenebra italian edition kindle edition amazon com** - Aug 14 2023

web jul 6 2017 foresta di tenebra italian edition kindle edition by regazzoni simone download it once and read it on your kindle device pc phones or tablets use features

foresta di tenebra hardcover 6 july 2017 amazon co uk - Feb 08 2023

web jul 6 2017 buy foresta di tenebra by regazzoni simone from amazon s fiction books store everyday low prices on a huge range of new releases and classic fiction

foresta di tenebra italian edition by simone regazzoni - Oct 24 2021

web jul 30 2023 march 30th 2020 foresta di tenebra italian edition kindle ausgabe ho preso un giorno per me e ho finito di leggere foresta di tenebra la mia passione sono

*solution manual for accounting principles 10th edition weygandt* - Dec 29 2022

web may 30 2018 make data driven decisions to drive reader engagement subscriptions and campaigns

account principles 10th edition canvas edusynch com - Mar 20 2022

web a textbook of cost and management accounting 10th edition account principles 10th edition omb no 1327803916260 edited by ryker potts mastering bookkeeping 10th edition mcgraw hill irwin weygandt s accounting principles continues to

provide students with a trusted and clear introduction to fundamental accounting concepts which

**accounting principles tenth edition pdf pdf room** - Sep 06 2023

web feb 28 2021 accounting principles tenth edition pdf donald e kieso paul d kimmel jerry j weygandt 2011 1 339 pages 43 29 mb english accounting posted february 28 2021 submitted by juliana82 facebook twitter pinterest whatsapp buy on amazon explore pdf download pdf convert to view on amazon read pdf online

*solution manual for accounting principles 10th edition by weygandt* - Jul 04 2023

web copyright 2011 john wiley sons inc weygandt accounting principles 10 e solutions manual for instructor use only 1 1 chapter 1 accounting in action

*accounting principles 10th edition textbook solutions chegg* - Apr 01 2023

web accounting principles 10th edition isbn 13 9780470534793 isbn 0470534796 authors paul d kimmel donald e kieso jerry j weygandt rent buy alternate isbn 9780470887820 9780470887844 9780470887851 9781118009291 9781118111178 9781118121801 9781118139325 9781118140031 9781118196700 9781118361764

**accounting principles 10th edition weygandt test bank** - Feb 16 2022

web sep 8 2017 easy tot aacsb rt aicpa bb ct aicpa fn reporting for instructor use only test bank for accounting principles tenth edition 2 6 29 after a transaction has been posted the reference column in xem thêm

accounting principles 10th edition weygandt kimmel chapter 1 - Oct 27 2022

web jul 31 2012 accounting principles 10th edition weygandt kimmel chapter 1 solutions for chapter 1 accounting in action mckdksck cm k kj kj kckn j c djv jfd ij kc k fj kj kcj fjdnvfjnvkjkd university assets cash 10 accounts receivable 2 supplies

accounting principles 10th edition chapters 1 18 for matc - Feb 28 2023

web may 17 2011 account lists returns orders cart all accounting principles 10th edition chapters 1 18 for matc 10th edition by jerry j weygandt author paul d kimmel author donald e kieso author 4 4 4 4 out of 5 stars 107 ratings see all formats and editions

*accounting 10th edition wiley* - May 22 2022

web the tenth edition of accounting provides an introductory but comprehensive description of the purpose practice and process of contemporary international financial and management accounting in an australian context with the increased emphasis on the globalisation of business the material is ideal for the study of introductory accounting in a broad

**principles of accounting 10th edition textbook solutions chegg** - Jan 30 2023

web unlike static pdf principles of accounting 10th edition solution manuals or printed answer keys our experts show you how to solve each problem step by step no need to wait for office hours or assignments to be graded to find out where you took a wrong turn you can check your reasoning as you tackle a problem using our interactive solutions

**accounting principles 10th edition volume 1 for paradise valley** - Sep 25 2022

web may 31 2011 amazon com accounting principles 10th edition volume 1 for paradise valley community college 9781118106020 weygandt jerry j kimmel paul d kieso donald e books

[accounting principles 10th edition pdf free download](#) - Oct 07 2023

web principles of managerial finance 10th edition part 1 introduction to managerial finance chapters in this part 1 the role and environment of managerial finance frank wood s business accounting 1 v 1 10th edition tenth edition every year thousands of students rely on frank wood s best selling books to

[wegandt kimmel kieso accounting principles 10th edition](#) - Jun 03 2023

web powerpoint presentations exercises set b requires adobe acrobat reader problems set c requires adobe acrobat reader solutions manual requires adobe acrobat

*solutions for accounting principles 10th numerade* - Nov 27 2022

web step by step video answers explanations by expert educators for all accounting principles 10th by jerry j weygandt paul d kimmel barbara trenholm donald e kieso only on numerade com adjusting the accounts 0 sections 20 questions 4 completing the accounting cycle 0 sections 21 questions 5 accounting for merchandising operations

*accounting principles 10th edition silo pub identity digital* - Jun 22 2022

web accounting principles 10th edition apago pdf enhancer this page intentionally left blank apago pdf enhancer fntoc se qxd 12 3 10 12 09 pm page i a tenth edition every year thousands of students rely on frank wood s best selling books to help them pass their account 36 059 18 015 11mb read more social psychology 10th

*accounting principles 10th edition weygandt kimmel chapter 1* - Aug 25 2022

web accounting principles 10th edition weygandt kimmel chapter 1 solutions for chapter 1 accounting in action pdf expense equity finance 33 3 2k views 44 pages accounting principles 10th edition weygandt kimmel chapter 1 solutions for chapter 1 accounting in action uploaded by sumit kumar dam ai enhanced title

**accounting principles 10th edition weygandt kimmel chapter 1** - Jul 24 2022

web accounting principles 10th edition weygandt kimmel chapter 1 solutions for chapter 1 accounting in action k6nqpkxz614w idocpub home current explore explore all paid utility bills 170 10 provided repair service on account to customers 750 11 collected cash of 120 for services billed in transaction 10

*accounting principles 10th edition solutions pdf free download* - May 02 2023

web accounting principles 10th edition is a comprehensive introduction to the field of accounting weygandt accounting principles solutions provides a framework students can use to understand and apply accounting in their everyday lives

[free solutions for accounting principles quizlet](#) - Apr 20 2022

web find step by step solutions and answers to accounting principles 9781118139325 as well as thousands of textbooks so you can move forward with confidence

*accounting principles 10th edition wiley* - Aug 05 2023

web welcome to the web site for accounting principles 10th edition by jerry j weygandt paul d kimmel and donald e kieso this web site gives you access to the rich tools and resources available for this text you can access these resources in two ways using the menu at the top select a chapter

goodbye to the classroom retirement poems for teachers - Aug 02 2022

web apr 22 2023 poem for retirement school cook 1 6 downloaded from uniport edu ng on april 22 2023 by guest poem for retirement school cook if you ally infatuation such

inspiring teacher retirement poems lovetoknow - Oct 04 2022

web jun 24 2023 poem for retirement school cook 1 8 downloaded from uniport edu ng on june 24 2023 by guest poem for retirement school cook yeah reviewing a ebook

retirement poems for teacher happy retirement - Apr 29 2022

**inspiring retirement poems for teachers from students** - Jul 01 2022

retirement poems treecards blog - Nov 05 2022

web apr 24 2023 this poem for retirement school cook as one of the most involved sellers here will certainly be in the midst of the best options to review poetry train america

**6 awesome retirement poems lovetoknow** - Jan 07 2023

web mar 12 2023 like this poem for retirement school cook but end up in harmful downloads rather than reading a good book with a cup of tea in the afternoon instead they cope

**10 of the best poems about retirement interesting** - Aug 14 2023

web aug 29 2022 funny retirement poems beautiful retirement poems retirement poems for mom or dad retirement poems for a brother or sister retirement poems

*funny retirement poems for coworkers and loved* - Feb 08 2023

web aug 11 2023 poem for retirement school cook 1 6 downloaded from uniport edu ng on august 11 2023 by guest poem for retirement school cook right here we have

**poem for retirement school cook pdf uniport edu** - Oct 24 2021

**poem for retirement school cook pdf uniport edu** - Mar 29 2022

**poems for retirement poetry foundation** - Jul 13 2023

web retirement poems allow you to express retirement sentiments to someone whose work life is ending whether you print them on a plaque use them in a card or read them at a

**poem for retirement school cook uniport edu** - Sep 22 2021

**poem for retirement school cook copy uniport edu** - Feb 25 2022

**poem for retirement school cook copy uniport edu** - May 31 2022

**21 best retirement poems to honor a school teacher** - Sep 03 2022

web apr 25 2023 poem for retirement school cook 1 10 downloaded from uniport edu ng on april 25 2023 by guest poem for retirement school cook as recognized adventure

**15 funny retirement poems for a new retiree** - Apr 10 2023

web apr 10 2023 short poems 1 farewell dear teacher farewell dear teacher your time has come to leave behind your classroom and your fun you ve taught us well instilled

**27 retirement poems congrats for the retiree best** - Dec 06 2022

web 2 poem for retirement school cook 2022 01 10 v 2 the poet gale research international limited presents biographical profiles of significant women from

**retirement poems 21 lovely ways to say happy** - May 11 2023

web nov 12 2022 honor a retiring teacher with these 21 retirement poems 1 we are your garden by kelly roper 2 you didn t teach us from books from totaltashan com

*poem for retirement school cook pdf uniport edu* - Nov 24 2021

**11 best poems about retirement loveable** - Jun 12 2023

web nov 6 2019 teacher retirement poems celebrate a lifetime of service and dedication teachers are integral to the learning experience of all children and these professionals

*poem for retirement school cook* - Jan 27 2022

**poem for retirement school cook pdf uniport edu** - Dec 26 2021

*25 retirement poems to reflect on your life cake blog* - Mar 09 2023

web jun 20 2023 poem for retirement school cook is available in our book collection an online access to it is set as public so you can get it instantly our books collection hosts